

Article

Integrating Life Cycle Inventory and Process Design Techniques for the Early Estimate of Energy and Material Consumption Data

Serena Righi ^{1,*}, Filippo Baioli ¹, Alessandro Dal Pozzo ² and Alessandro Tugnoli ²

¹ CIRSA Centro Interdipartimentale di Ricerca per le Scienze Ambientali, Università di Bologna, via S. Alberto 163, 48123 Ravenna, Italy; filippo.baioli2@unibo.it

² Dipartimento di Ingegneria Civile, Chimica, Ambientale e dei Materiali, Università di Bologna, via Terracini n.28, 40131 Bologna, Italy; alessandro.dalpozzo3@unibo.it (A.D.P.); a.tugnoli@unibo.it (A.T.)

* Correspondence: serena.righi2@unibo.it; Tel.: +39-0544-937-306

Received: 28 February 2018; Accepted: 16 April 2018; Published: 18 April 2018



Abstract: Life cycle assessment (LCA) is a powerful tool to identify direct and indirect environmental burdens associated with products, processes and services. A critical phase of the LCA methodology is the collection of representative inventory data for the energy and material streams related to the production process. In the evaluation of new and emerging chemical processes, measured data are known only at laboratory scale and may have limited connection to the environmental footprint of the same process implemented at industrial scale. On the other hand, in the evaluation of processes already established at commercial scale, the availability of process data might be hampered by industrial confidentiality. In both cases, the integration of simple process design techniques in the LCA can contribute to overcome the lack of primary data, allowing a more correct quantification of the life cycle inventory. The present paper shows, through the review of case study examples, how simplified process design, modeling and simulation can support the LCA framework to provide a preliminary estimate of energy and material consumption data suitable for environmental assessment purposes. The discussed case studies illustrate the implementation of process design considerations to tackle availability issues of inventory data in different contexts. By evidencing the case-specific nature of the problem of preliminary conceptual process design, the study calls for a closer collaboration of process design experts and life cycle analysts in the green development of new products and processes.

Keywords: life cycle assessment; green chemistry; chemical process; conceptual design; chemical process simulation

1. Introduction

Because of the central position of the chemical and process industries along the value chain in the world economy, the development and design of new products and processes has a crucial role in reducing environmental burdens and achieving sustainability. It is evident that an early-stage analysis of the environmental impacts helps to orient and support Research and Development (R&D). During product development, the degrees of freedom in adapting the production process (e.g., regarding feedstock, synthesis route, purification, and by-product treatment) progressively decrease [1,2]. It is therefore essential to conduct environmental assessments from the very early stages of the design life cycle to achieve the best solutions in terms of eco-efficiency and sustainability [3].

There are many different tools that can be used to handle environmental consideration in product development (e.g., Material Flow Analysis, the Ecological Footprint, and emergy). Among them, Life Cycle Assessment (LCA) has surely emerged as the prevalent approach. In its Communication on Integrated Product Policy (COM (2003)302 [4]), the European Commission concluded that LCA

provides the best framework for assessing the potential environmental impacts of products currently available. LCA is a multi-criteria method for assessing the environmental impact of a product, process or service throughout its life span. Environmental burdens include the materials and energy resources required, as well as the wastes and emissions generated during the life cycle [5]. The life cycle approach avoids problem-shifting between life cycle stages, receptors and geographic areas [6]. Moreover, LCA allows highlighting the most impacting processes and materials, supporting the identification of the best potential improvements for the environmental performance of the products [7].

During the LCA analysis, energy and material consumptions and environmental emissions are translated into impact potentials for different impact categories (e.g., global warming, acidification, eutrophication, etc.). The quantification of energy consumption is a key element of the LCA analysis. Energy use is a common impact category in LCA and reveals how much energy is required by a system throughout its life cycle. In some cases, energy use can even be the only impact category considered in an LCA study, since it is often considered the most relevant impact category and a good proxy indicator for environmental impacts in general [8]. Huijbregts and coauthors [9] demonstrated that, for several product types including inorganic and organic chemicals [10], the burdens in most impact categories (global warming, resource depletion, acidification, eutrophication, tropospheric ozone formation, ozone depletion, and human toxicity) correlate well with fossil energy demand of the system.

In the case of the chemical and process industry, availability of energy and material data for LCA practitioners may be limited by two main reasons. The first one is related to the novelty of a given process: in the early stages of the development of a new product or process, the factors which define the actual material end energy balance of an industrial-scale plant are not yet defined. The second one is the reticence of industrial firms to disclose the necessary process data, even in the case of a well-established process at commercial scale. After all, the detail of these data is part of the core knowledge on which operators base their business in the sector.

In either case, the evaluation of material and energy input and outputs would require a preliminary process scale-up from the scant information available (e.g., laboratory data, data from scientific literature, and data from patents used in the process). Process scale-up is a complex activity, which usually involves considerable research efforts (time and economic resources) as the technologies and performances (yield, energy demand, etc.) of single operations may change even considerably passing from laboratory scale to industrial scale. It frequently involves detailed studies (e.g., process optimization trials, fluid-dynamic study of equipment, and pilot scale plants), which are not practicably feasible in the context of an exploratory LCA study.

Nevertheless, some of the techniques used for process scale-up can be applied to a swift estimation of the envisaged input and outputs of a process. Process engineering practice has developed a few tools and rules-of-thumb that are typically used to start the process design activities and that can be fruitfully exploited also in the case [11–13]. While it is recognized that the actual scale-up process may lead to significant improvements in the performances of a plant, this simplified approach is considered adequate for the purpose of explorative LCA studies [14,15].

With reference to equipment sizing, the scaling rules historically proposed for equipment cost estimate [16,17] have been shown to be applicable also to the estimate of their environmental footprint [18]. To overcome the issues posed by the unavailability of inventory data for chemicals, proxy methods for the estimation of relevant environmental impacts directly from the molecular structure have been proposed [19,20]. To estimate the energy requirements at commercial scale of processes developed at lab scale, Piccinno et al. [21] presented a framework for the scale-up of batch reactions and purification steps, based on the derivation of simple scale-up formulae to estimate the energy requirements. Caduff et al. [22] suggested the use of power-law relationships for the estimate of energy consumption, demonstrating the reliability of the method in the case of energy conversion equipment. Shibasaki et al. [23] and Zhou et al. [24] proposed methodologies to integrate the experimental results obtained at pilot scale with the empirical equations of process equipment

sizing to compile ex ante Life Cycle Inventory (LCI) for the industrial scale. Smith et al. [25] evidenced how preliminary process design coupled with simple rules for the estimate of fugitive emissions allows the obtainment of a more comprehensive picture of the inputs and outputs involved in a chemical manufacturing process. Finally, several recent case studies demonstrated the potential to use preliminary process modeling approaches to implement LCA inventories for innovative processes in a variety of fields, such as carbon capture [26], thermochemical biomass conversion [27,28] and biorefineries [29].

The present paper aims to contribute to the discussion on the integration of process design techniques in LCA focusing on the estimate of energy and material inventory data via the discussion of relevant case studies. The case studies illustrated in the following represent successful implementations of chemical process modeling to the quantification of material and energy streams relevant to the LCA inventory. The paper analyzes strengths and weaknesses of the described approach.

2. Materials and Methods

2.1. Life Cycle Assessment

LCA is standardized in the ISO 14040 series [5,30]. According to ISO guidelines, the LCA methodology comprises four steps: goal and scope definition, inventory analysis, impact assessment, and interpretation. Goal and scope describes why the LCA is carried out, and which functional unit and system boundaries are chosen. Life Cycle Inventory (LCI) aims to quantify material and energy flows in input and output. In the third phase, Life Cycle Impact Assessment (LCIA), the relevant inputs and outputs quantified in the inventory analysis are grouped into a set of impact categories. The last step, Interpretation, is a systematic procedure to draw conclusions from all of the foregoing results of the study.

2.2. Process Scale-Up and Definition of Input/Output Data

Table 1 shows a schematization of the main stages involved in the design of a chemical plant, starting from the selection of the chemical route up to the operation of the actual plant [31,32]. It can be seen that the level of detail by which data on input and output flows can be estimated changes considerably with the considered design stage. This issue is particularly critical for energy consumption data. During the development stage of a new molecule or synthesis route, the only data available refer to the laboratory scale. At this scale, the operative procedures and the quality of materials used can be considerably different from the ones applied at industrial scale, as the main goal is proving feasibility and identifying the potentiality of the process, rather than optimizing it for large scale applications [33]. As such, energy demand is usually not explored (e.g., operations are carried out in quasi-isothermal conditions, separation and product purification is not investigated). The first material and energy balances are available only once the process flowsheet and unit operations have been defined (conceptual stage of the design). These balances provide a raw estimation of the material and energy inputs and outputs of the process [34]. The inclusion of aspects related to equipment and piping design (e.g., heat losses and fugitive emissions) is possible in this stage only by the use of generic emission factors. Moreover, estimated energy demand can account only for typical values for the efficiency of plant utilities and usually neglect the possibility of energy integration networks. The complete set of input/output data can therefore be estimated only if a complete and detailed design of the plant is available, though all the limitations related to a merely theoretical estimation still exist.

Full process scale-up from laboratory data and plant design are time and resource consuming activities which are clearly non-practicable for exploratory LCA studies. However, a preliminary conceptual design based on good engineering practice and rules-of-thumb can usually be drafted with relatively low resources even before the formal conceptual design stage [35]. This effort can be effectively assisted by the current availability of process simulation software (Chemical Process

Simulation, CPS), which allow for quick estimation of material properties, thermodynamic equilibria and energy and material balances [36,37]. This preliminary scale-up activity is however very case specific and is strongly affected by the expertise on the process under investigation or very similar ones. Nonetheless, several pilot studies, such as the examples reported in the following, have demonstrated the practical feasibility of the approach and the potential benefit that can be obtained from the mapping of lifecycle environmental applications of a process.

Table 1. Process design life cycle and data available for Life Cycle Inventory (LCI).

Process Life Cycle Stage	Process Chemistry	Conceptual Design	Detailed Design	Plant Operation
Design activities	Selection of the chemical route and operative conditions	Process definition	Equipment and layout design, utilities design	Plant management and optimization
Information available	Stoichiometry, yields, temperature, pressure	Unit operations, energy and material balances	Equipment type and size, piping and instrumentation, operating procedure	Field data on energy and material balances
LCI modeling: Material input/output	Main raw materials and products	Raw materials, products and wastes	Raw materials, products, wastes, fugitive emissions	Raw materials, products, wastes, fugitive emissions
LCI modeling: Energy input/output	None	Process related energy demand	Plant energy demand (including losses)	Plant energy demand (including losses)
Data quality for LCI	Measured (in laboratory conditions)	Estimated data (process specific)	Estimated data (plant specific)	Measured data (plant specific)

The case studies considered in the current paper are representative situations of different types of problems with the availability of inventory data and the way preliminary process design can overcome the lack of primary data. The synopsis in Table 2 details the features of each case study.

Table 2. Synopsis of the case studies analyzed in the paper.

Case Study	Problem with Data Availability		Modeling Based Directly on Available Data			Modeling Assisted by Preliminary Process Design		
	Practical Problem	Unit Processes Affected	Available Data	I/O Contribution to LCI		Modeling Approach	I/O Contribution to LCI	
				Material I/O	Energy I/O		Material I/O	Energy I/O
Case study 1 <i>NMMO/H₂O process</i>	Industrial level application but no access to plant data	Cellulose dissolution by NMMO/H ₂ O	Literature data on dissolution process Limited data on solvent recovery	Main input/output No data on solvent losses	No data available	PD of the process PS of the main equipment	Estimated input/output	Estimated thermal (including losses) and electric energy
		NMMO synthesis	Limited literature data on chemical synthesis process, no data on product separation	Main input/output	No data available	PD of the process PS of the main equipment	Estimated input/output	Estimated thermal (including losses) and electric energy
Case study 1 <i>Ionic liquid</i>	Lab scale application only	Cellulose dissolution by BmimCl	No process data (laboratory scale solubility test)	No data available	No data available	PD of the process and PS of the equipment based on the NMMO/H ₂ O case	Estimated input/output	Estimated thermal (including losses) and electric energy
		BmimCl synthesis	Laboratory synthesis protocol	Input/output at laboratory scale (not optimized)	Data for laboratory scale equipment	PD of the process PS of the main equipment	Estimated input/output	Estimated thermal (including losses) and electric energy
Case study 2 <i>DMC-BioD</i>	Lab scale application only + Industrial level application but no access to plant data	DMC-BioD production	Laboratory synthesis protocol	Input/output at laboratory scale (not optimized)	Data for laboratory scale equipment	PD of the process PS of the main equipment	Estimated input/output	Estimated thermal (including losses) and electric energy
		DMC production	Limited literature data on production process	Main input/output	No data available	PD of the process PS of the main equipment	Estimated input/output	Estimated thermal (including losses) and electric energy
Case study 3 <i>PHA extraction by DMC</i>	Lab scale application only	Extraction process	Laboratory synthesis protocol	Input/output at laboratory scale (not optimized)	Data for laboratory scale equipment	PD of the process PS of the main equipment	Estimated input/output	Estimated thermal (incl. losses) and electric energy
Case study 3 <i>PHA extraction by 1,2-DCE</i>	Industrial level application but no access to plant data	Extraction process	Limited literature data on process	Main input/output	No data available	PD of the process PS of the main equipment	Estimated input/output	Estimated thermal (including losses) and electric energy
Case study 4 <i>Sorbents for acid gas removal</i>	Industrial level application but limited access to plant data	Flue gas treatment system at the WtE plant	Available plant data refer to specific modes of operation of the process (not optimized)	Main input/output data (no optimization or correlation to waste type)	Data available for specific operative condition	Non-linear model of the reaction, PD of the process, PS of the main equipment	Estimated input/output for different modes of operation	Estimated energy consumption for different modes of operation

PD: preliminary design; PS: Preliminary sizing; I/O: input/output.

3. Results

3.1. Ionic-Liquid Case Study

Righi et al. [14] compared the expected environmental impacts of two cellulose dissolution methods, if applied at industrial production level: the well-established environmentally friendly non-viscous processes with *N*-methyl-morpholine-*N*-oxide (NMMO/H₂O) and an alternative process with 1-butyl-3-methylimidazolium chloride (BmimCl). This case represents a situation in which the former process is already implemented at an industrial scale but no LCA dataset is available and the latter is only tested at lab scale.

A “cradle-to-gate” life cycle inventory was developed for both BmimCl and NMMO/H₂O cellulose dissolution processes to analyze and compare their environmental performances. The analyzed systems were: (i) the cellulose dissolution process with NMMO/H₂O; (ii) the dissolution process with BmimCl; and (iii) all the upstream processes in production chain.

Background data for: (i) production of electricity, steam, and fossil fuel; (ii) transport system; and (iii) available chemical processes were taken from LCA databases; however, the major part of the processes were modeled by preliminary scale-up activities. These consisted in the definition of preliminary Process Flow Diagram (PFD) for the envisaged production process, in the completion of the material and energy balances, and in a preliminary sizing of the main process units (that defines, e.g., the efficiency of separation units). These activities were supported by the use of a CPS software, Aspen Plus® (Aspen Technology Inc., Burlington, MA, USA) [38]. Innovative processes, for which industrial scale-up was not developed (e.g., BmimCl dissolution of cellulose), were inferred from lab scale studies based on good engineering practice in design. In addition to LCA databases and the CPS software, also technical literature and reference books were used as information sources.

Modeling and Scale-Up of the Processes

Monohydrated NMMO is a non-derivatizing solvent for cellulose in industry and it is used in the manufacturing of man-made fibers. The NMMO/H₂O cellulose dissolution method developed by McCorsley [39] and used as comparison in a study on dissolution with ionic liquids by Kosan et al. [40] was adopted. Steps, process units and potentiality of the cellulose dissolution with BmimCl were taken to be equal to NMMO/H₂O dissolution process modifying only the molar ratio between cellulose and solvent (1:6 instead of 1:8) and the spinning mass temperature (116 °C instead of 94 °C) as used by Kosan and coworkers on laboratory-scale [40]. These changes have been done to obtain similar mechanic characteristics of the fiber found by Kosan and co-authors in their approach. The block diagram for the alternative processes with BmimCl and with NMMO/H₂O is shown in Figure 1a.

The work entailed the synthesis process modeling of NMMO, BmimCl and several of their precursors. The BmimCl synthesis method reported by Park and Kazlauskas [41] was adopted as the basis for the preliminary design of the industrial scale plant (reference potentiality of the production line: 5×10^5 kg/year of BmimCl). Moreover, since 1-chlorobutane, ethyl acetate, 1-methylimidazolium and its precursors monomethylamine (CH₃NH₂) and glyoxal (CHOCHO) were not included in LCA databases, their industrial-scale chemical syntheses were developed by conceptual and preliminary detailed design activities (Table 1) according to relevant patents and technical literature [42–47].

For example, Figure 1b reports the Process Flow Diagram (PFD) developed for the industrial-scale synthesis of BmimCl. As can be observed in the picture, the synthesis occurs in a batch reactor, which is the direct scale-up of the batch process at lab-scale [41]. The preliminary sizing of the reactor (volume and dimensions) allowed the estimation of thermal (heating and cooling) and electric (stirring) inputs required by the unit. Similarly, the closure of the heat and material balances, also supported by the use of CPS software Aspen Plus® in the definition of material properties and equilibria, allowed the calculation of material and energy inputs and outputs for the whole plant (Table 3).

The same approach was followed for the NMMO synthesis: the data reported by Scholten and Rindtorff [48] and the *N*-methylmorpholine (NMM) synthesis method described by Simon et al. [49]

were adopted as reference to design an industrial-scale process (reference potentiality of the production line: 2.5×10^6 kg/year of NMMO). The related LCI of energy and material in input to the synthesis process of NMMO/H₂O is reported in Table 4.

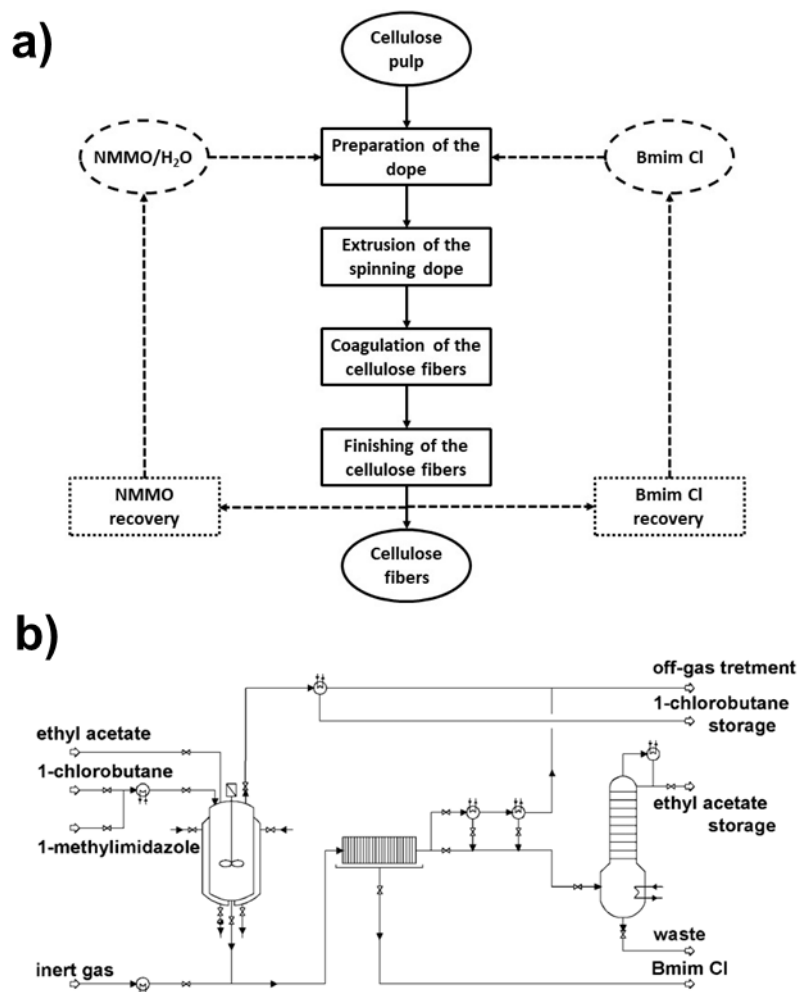


Figure 1. (a) Alternative block diagram of cellulose dissolution (left branch with BmimCl and right branch with NMMO/H₂O); and (b) process Flow Diagram considered for BmimCl production [14].

Table 3. Synthesis processes modeled through Aspen Plus[®] involved in the BmimCl. All values are referred to 1 kg of BmimCl produced in an industrial plant of 500 t/year [14].

Process	IO	Flow	Unit	Value
Glyoxal production	Input	Thermal energy	MJ	1.53
		Electric energy	MJ	0.43
	Output	Ethylene glycol	kg	2.03
		Glyoxal	kg	1.16
Methylamine production	Input	Thermal energy	MJ	1.86
		Electric energy	MJ	0.02
		Ammonia	kg	0.14
	Output	Methanol	kg	0.27
		Methylamine	kg	0.25

Table 3. Cont.

Process	IO	Flow	Unit	Value
1-methylimidazole production	Input	Thermal energy	MJ	0.74
		Electric energy	MJ	0.48
		Ammonia	kg	0.14
		Formaldehyde	kg	0.65
		Glyoxal	kg	1.16
	Output	Methylamine	kg	0.25
	Output	1-methylimidazole	kg	0.49
1-chlorobutane production	Input	Thermal energy	MJ	0.27
		Electric energy	MJ	0.08
		Butanol	kg	0.50
	Output	Hydrochloric acid	kg	0.25
		1-chlorobutane	kg	0.61
Ehylacetate production	Input	Thermal energy	MJ	0.19
		Electric energy	MJ	0.50
	Output	Ethanol	kg	0.06
	Output	Ehylacetate	kg	0.04
Bmim Cl production	Input	Thermal energy	MJ	1.50
		Electric energy	MJ	0.21
		1-methylimidazole	kg	0.49
		1-chlorobutane	kg	0.61
	Output	Ehylacetate	kg	0.04
		Bmim Cl	kg	1.00

Table 4. Synthesis processes modeled through Aspen Plus[®] involved in the NMMO/H₂O. All values are referred to 1 kg of NMMO/H₂O produced in an industrial plant of 2500 t/year [14].

Process	I/O	Flow	Unit	Value
Methylamine production	Input	Thermal energy	MJ	1.72
		Electric energy	MJ	0.02
		Ammonia	kg	0.13
	Output	Methanol	kg	0.25
		Methylamine	kg	0.23
NMM production	Input	Thermal energy	MJ	4.24
		Electric energy	MJ	0.02
		Methylamine	kg	0.23
	Output	Diethylene glycol	kg	0.44
		NMM	kg	0.51
NMMO/H ₂ O (59% sol)	Input	Thermal energy	MJ	3.93
		Electric energy	MJ	0.09
		Hydrogen peroxide	kg	0.50
	Output	NMM	kg	0.51
		NMMO/H ₂ O (59%sol)	kg	1.00

3.2. DMC-BioD Case Study

In this case study, Righi et al. [15] aimed at assessing the potential environmental impacts of the production process of dimethyl carbonate-biodiesel (DMC-BioD), an alternative biofuel to diesel which does not involve the production of glycerol [50]. The production process of DMC-BioD was compared to the production of conventional methanol (MeOH)-biodiesel and fossil diesel. This case represents a situation in which the innovative process, tested only at lab scale, has to be compared to already industry-ready and available in LCA databases processes [51]. The life cycle perspective adopted in the study required an in-depth analysis and modeling of the DMC-BioD synthesis process, for which limited information about the associated environmental impacts is available in the literature.

The system boundaries defined for the production processes assessed are “cradle-to-gate” and include all the unit processes from raw materials extraction to product manufacture, while product distribution and use in engines are excluded. Figure 2 shows the system boundaries of the production process of DMC-BioD. LCA databases [51,52] were used as source of background data for: (i) production of electricity and steam; (ii) transport systems; (iii) cultivation of soybean and soybean oil production; and (iv) production of chemicals involved in the process [15].

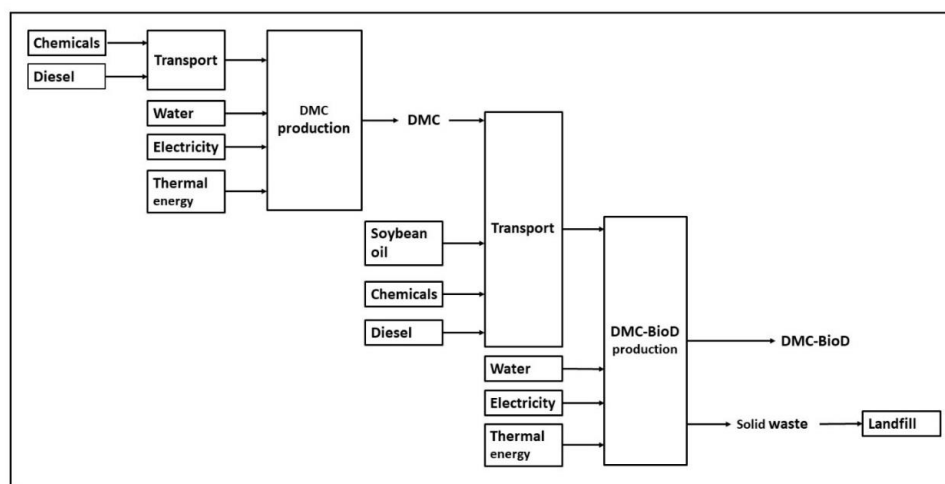


Figure 2. System boundaries of the production process of dimethyl carbonate-biodiesel (DMC-BioD). “DMC production” and “DMC-BioD production” were modeled via Aspen HYSYS® [15].

Modeling and Scale-Up of the Processes

DMC-BioD is obtained by the transesterification reaction of a triglyceride, or a mixture of triglycerides of fatty acids, with DMC in the presence of a base catalyst. The definition of a preliminary process flow diagram of the process from the available technical data [50,53] was based on the principles of good engineering practice in process design [11–13]. The estimated material and energy flows, as simulated with the support of Aspen HYSYS® [54], allowed the definition of the relevant inventory data (Table 5).

Table 5. Summary of the inventory data for dimethyl carbonate synthesis process and dimethyl carbonate-biodiesel (DMC-BioD) synthesis process. The values of DMC production are referred to 1 kg of DMC produced in an industrial plant of 10 t/year, while the values of DMC-BioD process are referred to 1 MJ of DMC-BioD (batch process producing roughly 2700 kg of DMC-BioD per cycle).

Process	Input/Output	Flow	Unit	Value	Source	Note
DMC production	Input	CO	kg	1.04×10^0	[55]	from production plant
		H ₂	kg	5.58×10^{-3}	[55]	from production plant
		O ₂	kg	2.53×10^{-1}	[55]	from production plant
		N ₂	kg	3.90×10^{-2}	[55]	from production plant
		CH ₃ OH	kg	7.46×10^{-1}	[55]	from production plant
		HCl	kg	4.46×10^{-3}	[55]	from production plant
		NaOH	kg	9.00×10^{-4}	[55]	from production plant
		H ₂ O	kg	7.62×10^{-3}	[55]	from production plant
		Electricity	MJ	9.50×10^{-1}	[54]	from electricity grid mix
		Thermal energy	MJ	1.30×10^1	[54]	thermal energy from natural gas
Output	DMC	kg	1.00×10^0	[55]	to DMC-BioD production	
	CO ₂	kg	5.00×10^{-3}	[54]	emissions to air	
	N ₂	kg	4.50×10^{-3}	[54]	emissions to air	
	O ₂	kg	4.50×10^{-2}	[54]	emissions to air	
	Wastewater	kg	1.70×10^{-1}	[54]	emissions to sea water	

Table 5. Cont.

Process	Input/Output	Flow	Unit	Value	Source	Note
DMC-BioD production	Input	Soybean oil	kg	2.66×10^{-2}	[53]	from production plant
		DMC	kg	3.58×10^{-3}	[53]	from DMC production
		NaCH ₃ O	kg	8.53×10^{-5}	[53]	from production plant
		H ₃ PO ₄	kg	2.25×10^{-4}	[53]	from production plant
		CH ₃ OH	kg	1.97×10^{-4}	[53]	from production plant
		H ₂ O	kg	3.38×10^{-5}	[54]	from production plant
	Electricity	MJ	1.38×10^{-3}	[54]	from electricity grid mix	
		Thermal energy	MJ	4.41×10^{-2}	[54]	thermal energy from natural gas
Output	DMC-BioD	MJ	1.00×10^0	[53]		to landfill
	NaH ₂ PO ₄	kg	1.20×10^{-5}	[54]		

¹ PE means PE International (now Thinkstep).

The work of Righi et al. [15] entailed also the synthesis process modeling of DMC through oxy-carbonylation process, not included in the available LCA databases. The oxy-carbonylation process was chosen among the various DMC production methods thanks to its potential environmental benefits: the avoided contamination from phosgene and the avoided disposal of byproduct inorganic salts. The oxy-carbonylation process developed by ENICHEM Company and detailed in Rivetti and Romano [55] was adopted as reference process.

3.3. PHA Extraction Case Study

Righi et al. [56] compared the environmental performance of the method proposed by Samorì et al. [57] for the extraction of poly-hydroxybutyrate (PHB) with dimethyl carbonate (DMC) from bacteria cells with the environmental performance of an alternative process using 1,2-dichloroethane (DCE), as detailed in the US Patent 4,324,907 [58]. This case represents a situation in which the innovative process, tested only at lab scale, has to be compared to an already industry-ready but not available in LCA databases process.

A “gate-to-gate” approach is used, and only the extraction process has been considered since the bacteria cultivation phase and the bioplastic product manufacture after the polymer extraction are assumed to be equivalent for all considered extraction processes. The system boundaries of the study include the following processes: biomass preparation, chemicals production, PHB extraction, chemicals recovery, air emissions abatement, and solid waste management [56].

This study compares four scenarios of the protocol proposed by Samorì et al. [57], which uses two different biomasses for extracting PHB with DMC: (a) dried biomass (Dry); and (b) microbial slurry (Slurry). For each biomass, two different recovery approaches have been evaluated: (1) the evaporation of the solvent (Evap); or (2) the addition of EtOH and precipitation (Precip).

Modeling and Scale-Up of the Processes

The protocol proposed by Samorì et al. [57] and the US Patent 4,324,907 [58] were adopted as reference documents. The five extraction processes at industrial scale have been proposed. The available data from these protocols are at lab scale and they only report information regarding mass balances and performance of the process such as: biomass/solvent ratio, recovery of PHB, temperature and duration of the extraction, and solvent/non-solvent ratio. For that reason, energy and material balances were solved, and the main equipment units were preliminarily sized based on relevant scientific and technical references and the CPS software (Aspen HYSYS® [54]) (Table 6). The extraction processes are composed by a series of equipment units: (1) centrifuges; (2) batch reaction vessels; (3) air dryers; (4) catalytic oxidizer; and (5) pervaporation systems (only in the scenarios where the polymer is recovered with the addition of EtOH). The equipment is different in size and arrangement depending on the different scenarios. For instance, those of the production scenario “Dry-Evap.” are shown in Figure 3. Table 7 shows a comparison between energy consumptions estimated by lab scale data and by industrial scale-up data of three extraction steps: centrifugation, drying and solubilization. Lab scale

data have been estimated by multiplying the specific power of each equipment unit by the duration of its application. As shown in Table 7, data from laboratory scale are much higher than those obtained from industrial scale-up. Table 7 shows also that a further relevant aspect concerns chemicals recovery. It is not considered in the lab scale because avoiding waste and emission and saving reagents are not relevant objectives in this process life cycle stage. Instead, in the industrial scale-up, chemicals recovery is evaluated because reducing solvent consumption is a key aspect.

Table 6. Main parameters and data sources used to model the extraction processes considering an industrial plant of 500 t/year [56].

Equipment	Data	Source
Centrifuges	Specific power	[59]
	Volumetric capacity	[59]
	Operating time	[60]
Batch reaction vessels	Specific power	[61]
	Volume	[61]
Air dryers	Energy consumption	[62]
	Purge flow	[54]
	Heat loss	[54]
Catalytic oxidizer	Emission factors	[63]
Pervaporation systems	General information	[64]
	General information	[65]

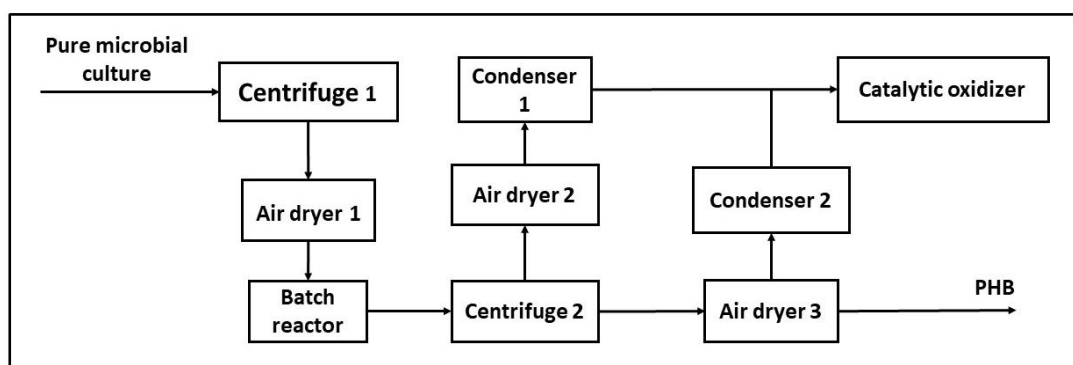


Figure 3. Process block diagram of production scenario “Dry-Evap.” [56].

Table 7. Comparison of energy consumption of some processes and DMC recovery between the lab scale and a first industrial scale-up for each biomass: (a) dried biomass (Dry); and (b) microbial slurry (Slurry). All values are referred to 1 kg of processed biomass.

Process	Flow	Dry		Slurry		U.M.
		Laboratory Scale	Industrial Scale-Up	Laboratory Scale	Industrial Scale-Up	
Centrifugation	Electricity	1.7×10^1	2.6×10^{-1}	1.7×10^1	2.6×10^{-1}	MJ
Drying	Electricity	3.8×10^4	1.3×10^0	NR	NR	MJ
	Steam	NR	1.1×10^1	NR	NR	MJ
Solubilization	Electricity	3.6×10^2	7.6×10^{-2}	3.6×10^2	1.1×10^{-1}	MJ
	Steam	NR	2.7×10^0	NR	5.5×10^0	MJ
DMC recovery	DMC	0	99.0–99.8	0	92.4–93.3	%

NR: not required.

Table 8 shows the life cycle inventory obtained for “Dry-Evap.” scenario.

Table 8. Life cycle inventories of a scenario “Dry-Evap” considering an industrial plant of 500 t/year [56].

Process	I/O	Flow	Unit	Value	Note
Centrifuge 1	Input	Pure microbial culture	kg	1.5×10^2	from cultivation phase
		Electricity	MJ	3.8×10^{-1}	from electricity grid mix
	Output	Concentrated wet biomass	kg	8.9	to batch reactor
		Water	kg	1.4×10^2	reusable for a successive cultivation
Air dryer 1	Input	Concentrated wet biomass	kg	8.9	from centrifuge 1
		Electricity	MJ	1.9	from electricity grid mix
		Steam	MJ	1.7×10^1	steam from natural gas
Output	Dried biomass	kg	1.5	to batch reactor	
	Water vapor	kg	7.5	emission to air	
Batch reactor	Input	DMC new	kg	5.1×10^{-2}	from production plant
		Dried biomass	kg	1.5	from air dryer 1
		DMC recovered	kg	3.2×10^1	from condenser 1 and condenser 2
		Electricity	MJ	1.1×10^{-1}	from electricity grid mix
	Steam	MJ	4.0	from natural gas	
Output	Biomass–DMC mixture	kg	3.3×10^1	to centrifuge 2	
Centrifuge 2	Input	Biomass–DMC mixture	kg	3.3×10^1	from batch reactor
	Electricity	MJ	7.9×10^{-2}	from electricity grid mix	
Output	PHB–DMC solution	kg	3.2×10^1	to air dryer 3	
	Residual biomass–DMC mixture	kg	9.5×10^{-1}	to air dryer 2	
Air dryer 2	Input	Residual biomass–DMC mixture	kg	9.5×10^{-1}	from centrifuge 2
		Electricity	MJ	2.6×10^{-2}	from electricity grid mix
	Steam	MJ	2.3×10^{-1}	from natural gas	
	Output	Residual biomass	kg	4.9×10^{-1}	to waste incineration
DMC		kg	4.6×10^{-1}	to condenser 1	
Condenser 1	Input	DMC	kg	4.6×10^{-1}	from air dryer 2
		Electricity	MJ	1.1×10^{-2}	from electricity grid mix
	Output	DMC recovered	kg	4.6×10^{-1}	to batch reactor
		DMC purge	kg	7.3×10^{-4}	to catalytic oxidizer
Air dryer 3	Input	PHB–DMC solution	kg	3.2×10^1	from centrifuge 2
		Electricity	MJ	1.8	from electricity grid mix
		Steam	MJ	1.6×10^1	steam from natural gas
Output	PHB	kg	1.0	raw material	
	DMC	kg	3.1×10^1	to condenser 2	
Condenser 2	Input	DMC	kg	3.1×10^1	from air dryer 3
	Electricity	MJ	7.5×10^{-1}	from electricity grid mix	
Output	DMC recovered	kg	3.1×10^1	to batch reactor	
	DMC purge	kg	5.0×10^{-2}	to catalytic oxidizer	
Catalytic oxidizer	Input	DMC purge	kg	5.1×10^{-2}	from condenser 1 and condenser 2
	Output	DMC emission	kg	2.7×10^{-4}	emission to air
		CO ₂	kg	7.4×10^{-2}	emission to air
		Water vapor	kg	3.0×10^{-2}	emission to air
	NO _x	kg	3.2×10^{-5}	emission to air	

3.4. Use of Alternative Sorbents for Acid Gas Removal in Waste-to-Energy Plants

This case study represents a situation in which the process and materials to be analyzed are already industry ready, but the information is difficult to collect. The goal of the study is the evaluation of different dry treatment strategies for acid gas removal from flue gases of waste-to-energy (WtE) plant. The emission of airborne pollutants (e.g., hydrogen chloride, HCl) is the main drawback of the thermal treatment of solid waste [66,67]. The availability of new sorbent materials [68] poses to the designers of new treatment process critical choices that may affect the environmental impacts of the plant under design [69,70]. In a life cycle perspective, the choice of the best dry treatment solution should consider not only the acid gas removal efficiency, but also the indirect environmental burdens related to supply of sorbents and disposal of solid process residues.

Two issues arise in approaching these systems with a LCA method. The first issue is the lack of quantitative information about the removal performance of the different commercially available sorbents, which hinders the correct quantitation of the inventory flows needed to achieve a given HCl removal target. Sorbent suppliers and technology providers rarely disclose their data in the open literature [71], while scholarly studies mainly report results of laboratory-scale tests of little applicability to full-scale systems [72,73]. The second issue is related to the high variability of the composition of processed waste, which may result in significant fluctuation of HCl concentrations in the gases to be treated [74,75], hence the sensitivity of the LCI results to these parameters need to be thoughtfully checked. Being the relationship between removal efficiency and sorbent feed rate non-linear [76], process modeling is required for a correct evaluation of both aspects.

3.4.1. Modeling and Scale-Up of the Processes

In this case study, the process is well established at industrial scale, so no conceptual definition of the Process Flow Diagram (PFD) is required. The reference dry acid gas treatment technology considered here is a two-stage system, based on the injection and subsequent filtering of calcium hydroxide, $\text{Ca}(\text{OH})_2$, and sodium bicarbonate, NaHCO_3 , respectively, in the 1st and 2nd treatment stage (Figure 4). These sorbents react with the acid pollutants via gas–solid reactions [77]. The spent solid residues are collected by the fabric filters. The two treatment stages have the following features:

- *Ca-based stage.* Calcium hydroxide is the less reactive of the two sorbents and it is only partially converted in the residence times typical of dry sorbent injection systems [78]. The solid residues of the reaction of $\text{Ca}(\text{OH})_2$ with acid gases, known as Ca-based residues (CBR), are to date non-recyclable and, thus, are to be sent to proper disposal sites [79]. Therefore, the Ca-based stage can be equipped with a solids recirculation system, which helps maximizing sorbent conversion.
- *Na-based stage.* Sodium bicarbonate presents higher affinity towards acid gases, but the sorbent as commercially supplied requires comminution in a grinding mill before injection to promote its reactivity [80]. In contrast with CBR, Na-based residues (NBR) can be recycled off-site: dedicated plants regenerate fresh bicarbonate from the residue, with ~85 wt % efficiency [81].

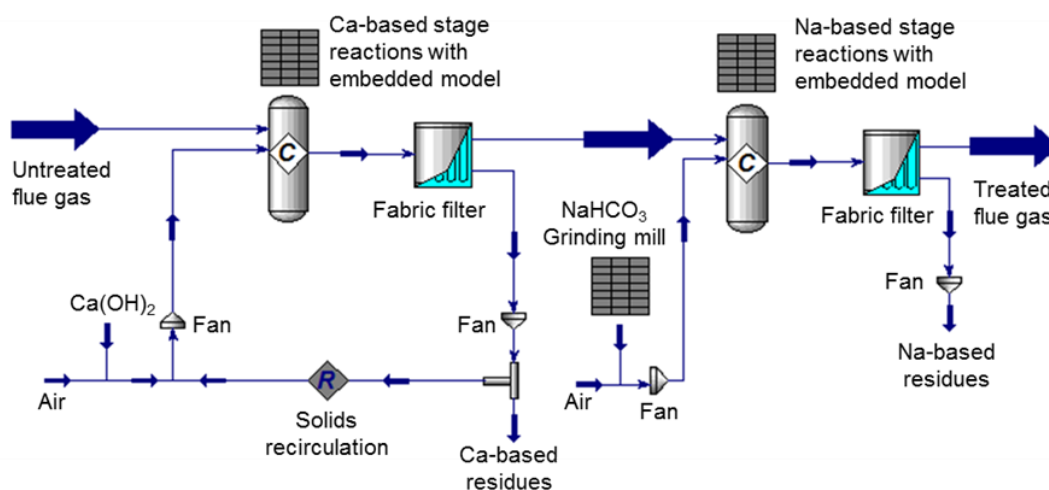


Figure 4. Process flow diagram of the two-stage acid gas treatment system in the adopted chemical process simulation software.

Figure 5 details the procedure adopted for the integration of the process simulation in a life cycle assessment framework. First, the functional unit (1 h of operation of a 360 t/day WtE plant), the waste types (a typical urban waste and a chlorine-rich waste representative of industrial refuses, see [69] for composition), and the emission limit value ($2 \text{ mg}/\text{Nm}^3$ for HCl) are set. As the LCA aims

to evaluate the environmental consequences of varying the repartition of HCl removal efficiency X in the 1st calcium-based stage (X_1) and in the 2nd sodium-based stage (X_2), four reference process configurations are defined (Ca_0 in which only sodium bicarbonate is used; and Ca_25, Ca_50 and Ca_75 in which, respectively, 25 wt %, 50 wt % and 75 wt % of the incoming HCl is removed in the first $\text{Ca}(\text{OH})_2$ -based stage).

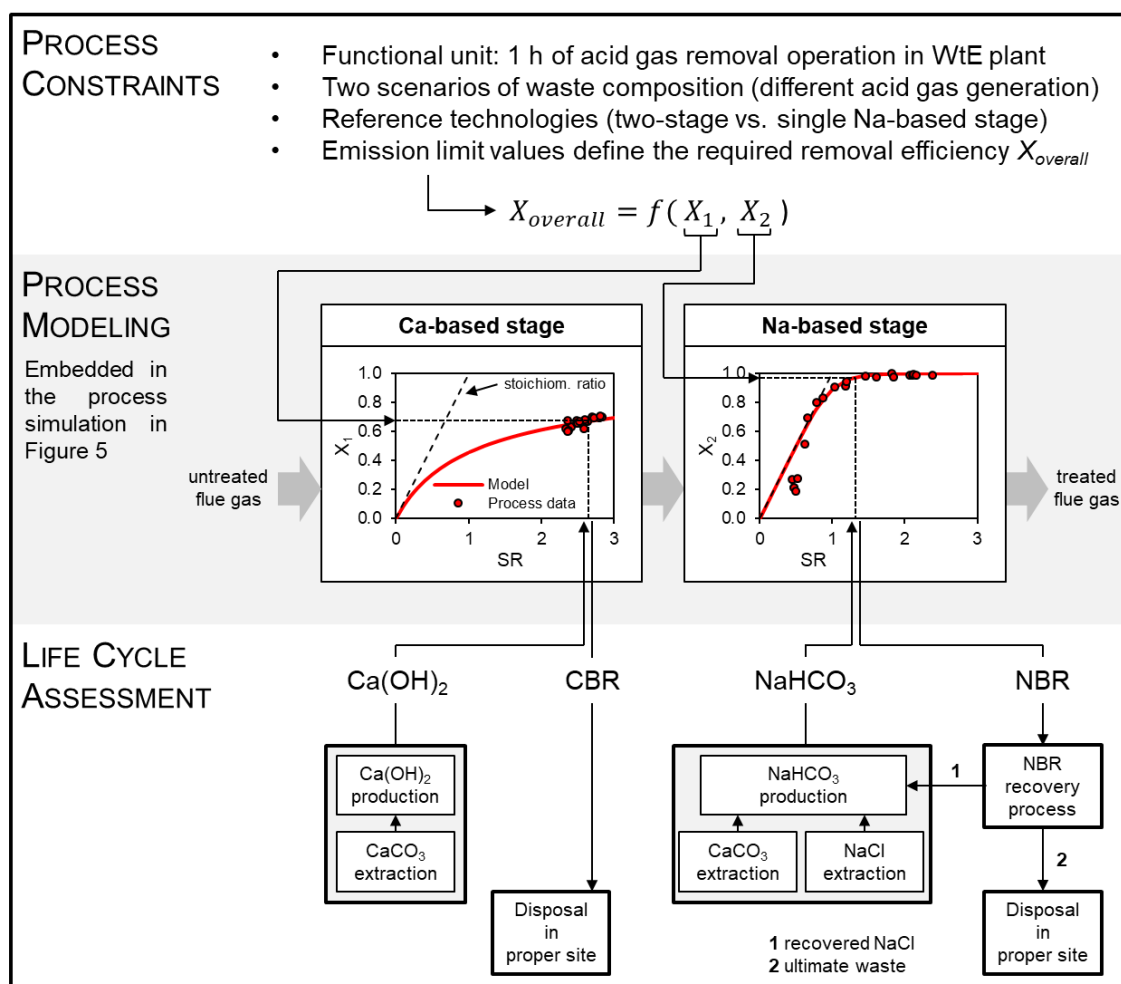


Figure 5. Sketch of the integration between process modeling and life cycle assessment in the case study of alternative sorbents for acid gas removal.

Process modeling was based on the empirical reaction model described by Dal Pozzo et al. [74], calibrated on a set of process data from operating plants and expressing the non-linear relationship between the over-stoichiometric ratio (SR) of reactant fed to the system and the obtained acid gas conversion. The non-linear model linking SR and X for the Ca-based and the Na-based stages is shown in Figure 5, alongside the process data from the reference plant adopted for model calibration. The model was embedded in CPS software to quickly solve energy and material balances and derive contribution of the process to LCI. Figure 4 shows the flow diagram of the process in the simulation environment. The reaction model is the core of the simulation, quantifying the material streams (sorbents and residues) associated with the given HCl removal efficiency for the two stages. The operation of the ancillary equipment (dilute-phase pneumatic conveying for sorbent feed, milling for the sodium bicarbonate feed, dense-phase pneumatic conveying for the discharge and recirculation of residues, and air pulse cleaning for fabric filter) is simulated through specific software objects and/or

simple external sub-models linked to the simulation, thus determining the energy requirements of the system (Table 9).

The mass flow rates of sorbents and residues obtained by process simulation define the mass and energy reference flows throughout the life cycle (Figure 5). Extraction and processing of raw materials, transportation phases and disposal are modeled using secondary data, viz. ELCD and CPM databases [82,83]. The process for regenerating the spent Na-based sorbent (NBR recycling process) is not available in the database and limited process data are disclosed in the open literature [81]. Thus, once more, the preliminary design procedure described for the previous case studies (definition of process flow diagram, energy and mass balances, unit operation modeling, preliminary unit sizing) was adopted starting from patent data [84] and availing of CPS software.

Table 9. Equipment units and related energy use for the acid gas treatment system and Na-based residues (NBR) recycling.

Equipment	Energy Consumption Per FU (kWh/h)				Source for Modeling
	Ca_0	Ca_25	Ca_50	Ca_75	
Acid gas treatment system					
Dilute-phase conveying (sorbent feeds)	3.00	6.00	6.00	6.00	[85]
Air-classifying mill (NaHCO ₃ feed)	35.45	24.05	16.31	8.82	[86]
Dense-phase conveying (residue streams)	1.50	3.00	3.00	3.00	[85]
Air pulse cleaning	0.25	0.25	0.25	0.25	[86]
NBR recycling plant					
Stirrer	0.11	0.08	0.05	0.03	[54]
Filter press	4.54	3.05	2.09	1.16	[87]
Pump	0.15	0.10	0.07	0.04	[54]

3.4.2. LCIA Results and Discussion

In this case study, three impact category indicators were used to illustrate the Life Cycle Impact Assessment (LCIA) results and the role of process simulation in determining them: acidification (AC, expressed in terms of kg SO₂ eq.), carbon footprint (CF, expressed in terms of kg CO₂ eq.), and primary energy consumption (PEC, expressed in terms of MJ). The characterization factors for the indicators were based on the CML-IA database [88].

Figure 6 presents the energy consumption indicator (PEC), by detailing the contributions of the different unit processes to the overall indicator, with reference to the urban waste scenario. The production of sodium bicarbonate is, by far, the main contributor, due to the high demand of heat and electricity related to the extraction and processing of the raw materials (sodium chloride and limestone). By increasing the utilization of the Ca-based treatment stage, the share of the PEC indicator associated with the production of calcium hydroxide increases, but the share due to sodium bicarbonate decreases to a greater extent, causing the overall reduction of the PEC indicator. Only for the case Ca_75, the additional impact due to Ca(OH)₂ production offsets the reduced demand of NaHCO₃, resulting in an increase of the PEC indicator. The figure also highlights the minor role of the energy consumption arisen during the operation of the flue gas cleaning system, compared to the energy flows associated to the extraction and processing of raw materials. Only the 3.5% of the PEC impacts in the case Ca_0 and the 1.6% in the case Ca_75 are ascribed to the operation of the treatment system. As shown in Table 7, the most energy-intensive equipment is the air-classifying mill for the grinding of powdered sodium bicarbonate before the injection in the flue gas ductwork. Even if the utilization of two abatement stages (cases Ca_25 to Ca_75) imply the operation of an additional pneumatic transport line, the energy savings due to the reduction of the bicarbonate feed to be ground cause a lower overall energy consumption for the two-stage configurations than for the case Ca_0.

Lastly, it is shown that the NBR recovery process is associated with a negative contribution to the PEC indicator. The impact credits of the recycling process, i.e., the avoided energy consumption associated with the extraction of fresh brine, largely offset the impacts generated by the energy needs at the recycling plant. Indeed, the energy consumption at the plant, associated for the 95% to the

power requirements of the filter press (see Table 7), is equal to just the 4.0% of the avoided energy consumption related to brine extraction.

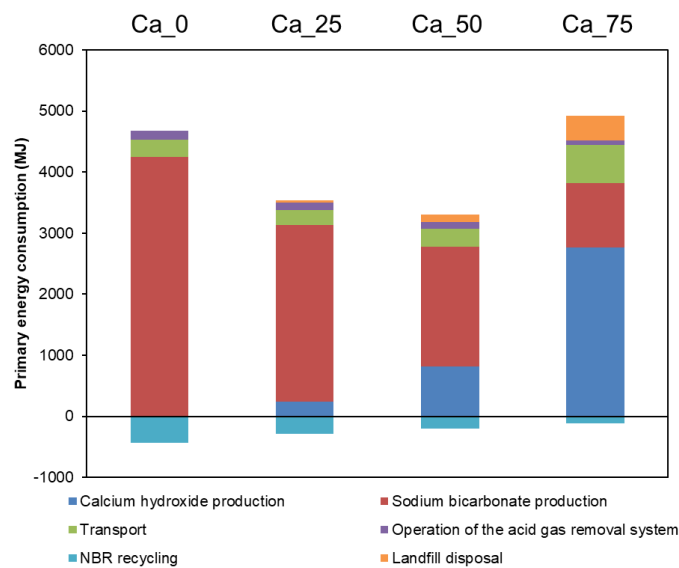


Figure 6. Contribution of the different LCA unit processes to the primary energy consumption indicator. Waste composition scenario: urban waste.

Figure 7 summarizes the three environmental indicators calculated for the four system configurations and the two waste composition scenarios. A higher utilization of the 1st Ca-based treatment stage results in lower impacts in the three environmental indicators considered as long as only a fraction of HCl is removed by the calcium hydroxide (cases Ca_25 and Ca_50). When compared to the single stage Na-based treatment, a two-stage system abating 50% of the HCl load in the first stage (Ca_50) generates an 18% reduction in the acidification indicator in the urban waste scenario, while the carbon footprint and the PEC shrink 8% and 27%, respectively. Conversely, demanding a 75% removal efficiency to the Ca-based stage (Ca_75) generates higher impacts (in particular, a 95% increase of the carbon footprint) due to the high stoichiometric excess of $\text{Ca}(\text{OH})_2$ required, as a consequence of the low reactivity of $\text{Ca}(\text{OH})_2$ mentioned in Section 3.4.1.

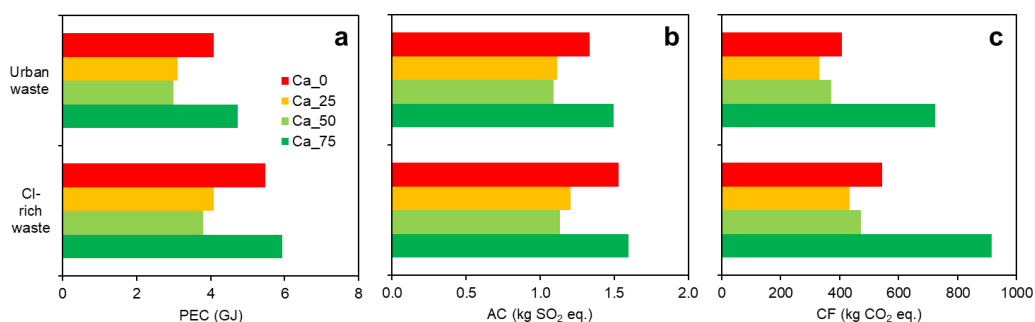


Figure 7. Scores of the different acid gas treatment configurations analyzed in the case of urban waste and Cl-rich waste in the three impact category indicators: (a) primary energy consumption (PEC); (b) acidification (AC); and (c) carbon footprint (CF).

In the Cl-rich waste scenario, the Ca_50 configuration realizes a 26% reduction in the AC indicator, a 13% reduction in the CF indicator and a 31% reduction in the PEC indicator, with reference to the Ca_0 benchmark. It can be noticed that the environmental advantage of the Ca_50 configuration in the

presence of Cl-rich waste is higher than in the case of urban waste. This is due to the higher removal efficiency required to meet the same emission target with a higher incoming HCl concentration, which entails a more-than-linear increase in the feed rate of NaHCO_3 compared to the urban waste scenario. Therefore, the advantage of reducing the feed rate of NaHCO_3 by removing a fixed fraction of the incoming HCl load in the Ca-based stage is greater. The key role of process modeling in correctly characterizing the process (in this case, by considering the non-linearity in the relationship between removal efficiency and sorbent feed) and thus identifying aspects that would be lost in a regular database-driven LCA approach where inventory entries and associated impacts are typically scaled linearly with the functional unit is evident.

To demonstrate the importance on the LCIA results of the correct choice of a model in the preliminary design of the acid gas removal system, Figure 8 compares the PEC indicator obtained by different choices. Figure 8a illustrates four different ways to model HCl removal in the Ca-based stage. The previous discussion adopted the non-linear model (red curve) calibrated with a set of process data (Figure 5) to quantify the consumption of reactant associated with a given HCl removal efficiency. This option provides a description of the system closer to the real operative performance of sorbents. Conversely, the attempt to use plant data for evaluating LCA inventory, without developing a model for the conversion and the preliminary design of the process, would consider the average of process data (yellow diamond). This is the approach typically used in compiling LCI databases. In between these two cases, other alternative models are considered, featuring a simplified correlation between conversion and stoichiometric ratio (SR): the stoichiometric model (blue curve), which ignores mass transport and kinetic limitations in the reaction, and the linear model (green curve), which assumes proportionality among the considered parameters.

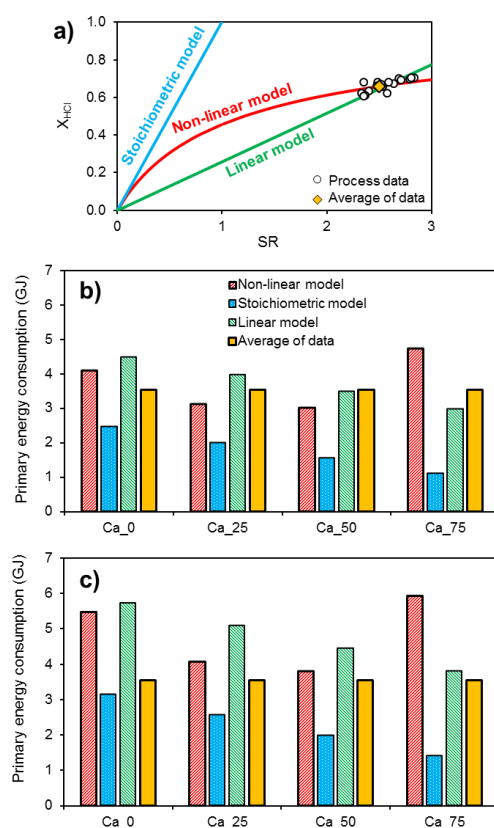


Figure 8. Comparison of the influence on Life Cycle Impact Assessment (LCIA) results of different approaches to HCl removal modeling: (a) correlation between conversion of HCl and SR in the alternative models for $\text{Ca}(\text{OH})_2$ stage; (b) PEC indicator results (urban waste scenario); and (c) PEC indicator results (Cl-rich waste scenario).

As evident in both the urban waste (Figure 8b) and the Cl-rich waste (Figure 8c) scenarios, the use of average process data (yellow diamond in Figure 8a) does not allow discriminating the different environmental impacts associated to the mode of operation of the acid gas treatment system. Moreover, the values obtained for the PEC indicator may differ as much as 60% from the results based on non-linear modeling.

The use of less precise models, such as linear and stoichiometric models, misestimate the reactivity of sorbents leading again to relevant discrepancies in the indicator results. Indeed, only the non-linear model is capable of considering both the different reactivity of the two sorbents and the “diminishing returns” in terms of removal efficiency of increasing sorbent feed rate, allowing to identify the optimal repartition of HCl removal between the two stages of the treatment system in terms of environmental impacts. This exemplifies that the quality of the approach followed in preliminary design may affect data and, in some cases, even frustrate the efforts invested in the activity.

4. Conclusions

The case studies described in this paper highlighted the use of process design techniques and modeling in tracking and quantifying the energy and material consumption entries associated to both the foreground and background processes of a life cycle. Even if a process is in its early development stage, good engineering practice and scaling rules, assisted by chemical process simulation software, allow drafting the information on the envisaged industrial-scale process at an adequate detail for the purpose of LCA, as shown in the case studies. The preliminary design approach considers all the energy streams required by the process, including utilities, and assesses their relevance. Furthermore, it avoids the overestimation of energy consumption that would be made by directly considering primary data from the laboratory scale, as evidenced in Case Study 3.

Another advantage of the integration of process modeling in the LCA framework is the flexibility provided by the simulation, which enables the study of the sensitivity of the environmental indicators as a function of the process conditions and design choices. For example, in Case Study 4, the effect of a different composition of the treated waste on the environmental burdens from the WtE plant was explored, evidencing the relative stability of the results at the change of HCl concentration in flue gases.

On the other hand, it has to be remarked that the adoption of process models to bridge gaps in available primary data requires due knowledge of the underlying chemical and physical characteristics of the process. With reference to Case Study 4, it was shown how the use of oversimplified models might produce significant discrepancies in the LCIA results.

Generally speaking, the case studies demonstrated that, while an actual scale-up would require extensive research efforts, the proposed simplified approach to process design is adequate to the scope of the exploratory LCA studies for new materials or emerging processes, for which datasets are not available in common LCI databases. Although no off-the-shelf solution is possible for the estimation of energy consumption and case-specific simulation and design activities are usually required, integrating the expertise of LCA practitioners and of process engineers is evidenced here as a key point in performing a reliable sustainability assessment of a new chemical product or process.

Author Contributions: Serena Righi and Alessandro Tugnoli conceived and designed the paper, and wrote the Introduction and Materials and Methods. Filippo Baioli and Alessandro Dal Pozzo wrote the Results and prepared figures and tables. Discussions and Conclusions were the collective work of all four authors.

Conflicts of Interest: The authors declare no conflict of interest.

Abbreviations

Acronym	Term
AC	Acidification
BmimCl	1-butyl-3-methylimidazolium chloride
CBR	Ca-based residues
CF	Carbon Footprint
CPS	Chemical Process Simulation
DCE	1,2-dichloroethane
DMC	dimethyl carbonate
DMC-BioD	dimethyl carbonate-biodiesel
ELCD	European reference Life Cycle Database
EtOH	ethanol
FU	Functional Unit
I/O	Input/Output
ISO	International Organization for Standardization
LCA	Life Cycle Assessment
LCI	Life Cycle Inventory
LCIA	Life Cycle Impact Assessment
MeOH	methanol
NBR	Na-based residues
NMM	N-methylmorpholine
NMMO/H ₂ O	N-methyl-morpholine-N-oxide monohydrated
PD	Preliminary design
PEC	Primary Energy Consumption
PFD	Process Flow Diagram
PHB	poly-hydroxybutyrate
PS	Preliminary sizing
R&D	Research and Development
SR	stoichiometric ratio
WtE	waste-to-energy plant

References

1. Ruiz-Mercado, G.J.; Smith, R.L.; Gonzalez, M.A. Sustainability indicators for chemical processes: I. Taxonomy. *Ind. Eng. Chem. Res.* **2012**, *51*, 2309–2328. [[CrossRef](#)]
2. Tufvesson, L.M.; Tufvesson, P.; Woodley, J.M.; Borjesson, P. Life cycle assessment in green chemistry: Overview of key parameters and methodological concerns. *Int. J. Life Cycle Assess.* **2013**, *18*, 431–444. [[CrossRef](#)]
3. Broeren, M.L.M.; Zijp, M.C.; Waaijers-van der Loop, S.L.; Heugens, E.H.W.; Posthuma, L.; Worrell, E.; Shen, L. Environmental assessment of bio-based chemicals in early-stage development: A review of methods and indicators. *Biofuels Bioprod. Biorefin.* **2017**, *11*, 701–718. [[CrossRef](#)]
4. European Commission. *Communication from the Commission to the Council and the European Parliament—Integrated Product Policy, Building on the Environmental Life-Cycle Thinking*; COM (2003) 302 Final; European Commission: Brussels, Belgium, 2003.
5. *Environmental Management—Life Cycle Assessment—Principles and Framework*; ISO 14040; ISO: Geneva, Switzerland, 2006.
6. Hellweg, S.; Canals, L.M.I. Emerging approaches, challenges and opportunities in life cycle assessment. *Science* **2014**, *344*, 1109–1113. [[CrossRef](#)] [[PubMed](#)]
7. UNEP/SETAC. *Why Take a Life Cycle Approach?* United Nations Publications: New York, NY, USA, 2004.
8. Arvidsson, R.; Svanström, M. A Framework for Energy Use Indicators and Their Reporting in Life Cycle Assessment. *Integr. Environ. Assess. Manag.* **2016**, *12*, 429–436. [[CrossRef](#)] [[PubMed](#)]

9. Huijbregts, M.A.J.; Hellweg, S.; Frischknecht, R.; Hendriks, H.W.M.; Hungerbühler, K.; Hendriks, A.J. Cumulative energy demand as predictor for the environmental burden of commodity production. *Environ. Sci. Technol.* **2010**, *44*, 2189–2196. [[CrossRef](#)] [[PubMed](#)]
10. Huijbregts, M.A.J.; Rombouts, L.J.A.; Hellweg, S.; Frischknecht, R.; Hendriks, A.J.; van de Meent, D.; Ragas, A.M.J.; Reijnders, L.; Struijs, J. Is cumulative fossil energy demand a useful indicator for the environmental performance of products? *Environ. Sci. Technol.* **2006**, *40*, 641–648. [[CrossRef](#)] [[PubMed](#)]
11. Sinnott, R.K. *Coulson & Richardson's Chemical Engineering*, 3rd ed.; Butterworth-Heinemann: Oxford, UK, 1999; Volume 6.
12. Bisio, A.; Kabel, R.L. *Scale-Up of Chemical Processes: Conversion from Laboratory Scale Tests to Successful Commercial Size Design*; Wiley: New York, NY, USA, 1985.
13. Zlokarnik, M. *Scale-Up in Chemical Engineering*; Wiley: Weinheim, Germany, 2002.
14. Righi, S.; Morfino, A.; Galletti, P.; Samorì, C.; Tugnoli, A.; Stramigioli, C. Comparative cradle-to-gate life cycle assessments of cellulose dissolution with 1-butyl-3-methylimidazolium chloride and N-methyl-morpholine-N-oxide. *Green Chem.* **2011**, *13*, 367–375. [[CrossRef](#)]
15. Righi, S.; Bandini, V.; Fabbri, D.; Cordella, M.; Stramigioli, C.; Tugnoli, A. Modeling of an alternative process technology for biofuel production and assessment of its environmental impacts. *J. Clean. Prod.* **2016**, *122*, 42–51. [[CrossRef](#)]
16. Guthrie, K.M. Data and techniques for preliminary capital cost estimating. *Chem. Eng.* **1969**, *76*, 114–142.
17. Remer, D.S.; Chai, L.H. Estimate costs of scaled-up process plants. *Chem. Eng.* **1990**, *97*, 138–175.
18. Caduff, M.; Huijbregts, M.A.J.; Koehler, A.; Althaus, H.-J.; Hellweg, S. Scaling Relationships in Life Cycle Assessment. *J. Ind. Ecol.* **2014**, *18*, 393–406. [[CrossRef](#)]
19. Wernet, G.; Papadokostantakis, S.; Hellweg, S.; Hungerbühler, K. Bridging data gaps in environmental assessments: Modeling impacts of fine and basic chemical production. *Green Chem.* **2009**, *11*, 1826–1831. [[CrossRef](#)]
20. Calvo-Serrano, R.; Gonzalez-Miquel, M.; Papadokostantakis, S.; Guillen-Gosalbez, G. Predicting the cradle-to-gate environmental impact of chemicals from molecular descriptors and thermodynamic properties via mixed-integer programming. *Comput. Chem. Eng.* **2018**, *108*, 179–193. [[CrossRef](#)]
21. Piccinno, F.; Hischer, R.; Seeger, S.; Som, C. From laboratory to industrial scale: A scale-up framework for chemical processes in life cycle assessment studies. *J. Clean. Prod.* **2016**, *135*, 1085–1097. [[CrossRef](#)]
22. Caduff, M.; Huijbregts, M.A.J.; Althaus, H.-J.; Hendriks, A.J. Power-Law Relationships for Estimating Mass, Fuel Consumption and Costs of Energy Conversion Equipments. *Environ. Sci. Technol.* **2011**, *45*, 751–754. [[CrossRef](#)] [[PubMed](#)]
23. Shibasaki, M.; Fischer, M.; Barthel, L. Effects on life cycle assessment and Scale up of processes. In *Advances in Life Cycle Engineering for Sustainable Manufacturing Businesses*; Takata, S., Umeda, Y., Eds.; Springer: London, UK, 2007; pp. 377–381.
24. Zhou, Y.; Lee, C.K.; Sharratt, P. Bridging the Gap from Pilot Plant Experimental Records to Life Cycle Inventory. *Ind. Eng. Chem. Res.* **2017**, *56*, 10393–10412. [[CrossRef](#)]
25. Smith, R.L.; Ruiz-Mercado, G.J.; Meyer, D.E.; Gonzalez, M.A.; Abraham, J.P.; Barrett, W.M.; Randall, P.M. Coupling Computer-Aided Process Simulation and Estimations of Emissions and Land Use for Rapid Life Cycle Inventory Modeling. *ACS Sustain. Chem. Eng.* **2017**, *5*, 3786–3794. [[CrossRef](#)]
26. Zaines, G.G.; Beck, A.W.; Janupala, R.R.; Resasco, D.E.; Crossley, S.P.; Lobban, L.L.; Khanna, V. Multistage torrefaction and in situ catalytic upgrading to hydrocarbon biofuels: Analysis of life cycle energy use and greenhouse gas emissions. *Energy Environ. Sci.* **2017**, *10*, 1034–1050. [[CrossRef](#)]
27. Winjobi, O.; Shonnard, D.R.; Zhou, W. Production of Hydrocarbon Fuel Using Two-Step Torrefaction and Fast Pyrolysis of Pine. Part 1: Techno-economic Analysis. *ACS Sustain. Chem. Eng.* **2017**, *5*, 4529–4540. [[CrossRef](#)]
28. Lari, G.M.; Pastore, G.; Haus, M.; Ding, Y.; Papadokostantakis, S.; Mondelli, C.; Perez-Ramirez, J. Environmental and economical perspectives of a glycerol biorefinery. *Energy Environ. Sci.* **2018**. [[CrossRef](#)]
29. Schakel, W.; Hung, C.R.; Tokheim, L.-A.; Stromman, A.-H.; Worrell, E.; Ramirez, A. Impact of fuel selection on the environmental performance of post-combustion calcium looping applied to a cement plant. *Appl. Energy* **2018**, *210*, 75–87. [[CrossRef](#)]
30. *Environmental Management—Life Cycle Assessment—Requirements and Guidelines*; ISO 14044; ISO: Geneva, Switzerland, 2006.

31. Sugiyama, H.; Hirao, M.; Fischer, U.; Hungerbühler, K. Activity modeling for integrating environmental, health and safety (EHS) consideration as a new element in industrial chemical process design. *J. Chem. Eng. Jpn.* **2008**, *41*, 884–897. [[CrossRef](#)]
32. Sugiyama, H.; Fischer, U.; Hungerbühler, K.; Hirao, M. Decision framework for chemical process design including different stages of environmental, health, and safety assessment. *AIChE J.* **2008**, *54*, 1037–1053. [[CrossRef](#)]
33. Piccinno, F.; Hirschler, R.; Seeger, S.; Som, C. Predicting the environmental impact of a future nanocellulose production at industrial scale: Application of the life cycle assessment scale-up framework. *J. Clean. Prod.* **2018**, *174*, 283–295. [[CrossRef](#)]
34. Ayres, R.U. Life cycle analysis: A critique. *Resour. Conserv. Recycl.* **1995**, *14*, 199–223. [[CrossRef](#)]
35. Tugnoli, A.; Santarelli, F.; Cozzani, V. An approach to quantitative sustainability assessment in the early stages of process design. *Environ. Sci. Technol.* **2008**, *42*, 4555–4562. [[CrossRef](#)] [[PubMed](#)]
36. Alexander, B.; Barton, G.; Petrie, J.; Romagnoli, J. Process synthesis and optimization tools for environmental design: Methodology and structure. *Comput. Chem. Eng.* **2000**, *24*, 1195–1200. [[CrossRef](#)]
37. Brunet, R.; Cortés, D.; Guillén-Gosalbez, G.; Jiménez, L.; Boer, D. Minimization of the LCA impact of thermodynamic cycles using a combined simulation-optimization approach. *Appl. Therm. Eng.* **2012**, *48*, 367–377. [[CrossRef](#)]
38. Aspen Plus® 10.2-1. Aspen Technology Inc.: Burlington, MA, USA, 2000.
39. McCorsley, C.C.; Asheville, N.C. Process for Shaped Cellulose Article Prepared from a Solution Containing Cellulose Dissolved in a Tertiary Amine N-Oxide Solvent. U.S. Patent 4,246,221, 20 January 1981.
40. Kosan, B.; Michels, C.; Meister, F. Dissolution and forming of cellulose with ionic liquids. *Cellulose* **2008**, *15*, 59–66. [[CrossRef](#)]
41. Park, S.; Kazlauskas, R.J. Improved Preparation and Use of Room-Temperature Ionic Liquids in Lipase-Catalyzed Enantio- and Regioselective Acylations. *J. Org. Chem.* **2001**, *66*, 8395–8401. [[CrossRef](#)] [[PubMed](#)]
42. *Hydrocarbon Processing*; The Leonard Process Company: North Hollywood, CA, USA, 1979; Volume 58, p. 194f.
43. Forkner, M.W.; Robson, J.H.; Snellings, W.M. *Kirk-Othmer Encyclopedia of Chemical Technology*, 4th ed.; Wiley: New York, NY, USA, 1994; Volume 12, p. 695.
44. Mattioda, G.; Blanc, A. *Ullmann's Encyclopedia of Industrial Chemistry*, 5th ed.; Verlag Chemie: New York, NY, USA, 1989; Volume A12, p. 491.
45. Howe, B.K.; Hardy, F.R.F.; Clarke, D.A. Vapour Phase Oxidation of Hydroxy Compounds. GB Patent 1,272,592, 3 May 1972.
46. Ebel, K.; Koehle, H.; Gamer, A.; Jäckh, A. *Ullmann's Encyclopedia of Industrial Chemistry*, 5th ed.; Verlag Chemie: New York, NY, USA, 1989; Volume A13, p. 661.
47. Von Däniken, A.; Chudacoff, M. *Vergleichende ökologische Bewertung von Anstrichstoffen in Baubereich. Band 2: Daten*; Buwal Schriftenreihe Umwelt Nr. 232; Bern, Switzerland, 1995.
48. Scholten, H.; Rindtorff, K. Process for Producing Aqueous N-Methylmorpholine-N-oxide Solutions. U.S. Patent 4,748,241, 31 May 1988.
49. Simon, J.; Becker, R.; Lebkücher, R.; Neuhauser, H. N-Alkylation of Amines. U.S. Patent 5,917,039, 29 June 1999.
50. Fabbri, D.; Bevoni, V.; Notari, M.; Rivetti, F. Properties of a Potential Biofuel Obtained from Soybean Oil by Transmethylation with Dimethyl Carbonate. *Fuel* **2007**, *86*, 690–697. [[CrossRef](#)]
51. Ecoinvent Centre. *Ecoinvent Data and Reports v2.0 Final Reports Ecoinvent 2000*; Swiss Centre for Life Cycle Inventories: Dübendorf, Switzerland, 2007.
52. GaBi Professional Database. Available online: <http://www.gabisoftware.com/support/gabi/> (accessed on 20 August 2015).
53. Notari, M.; Rivetti, F. Use of a Mixture of Esters of Fatty Acids as Fuel or Solvent. Patent WO 2004/052874, 24 June 2004.
54. *Aspen HYSYS 7.1. User's Guide*; Aspen Technology Inc.: Burlington, MA, USA, 2009.
55. Rivetti, F.; Romano, U. Procedure for the Production of Alkyl Carbonates. Patent EP534545, 19 September 1992.

56. Righi, S.; Baioli, F.; Samori, C.; Galletti, P.; Tagliavini, E.; Stramigioli, C.; Tugnoli, A.; Fantke, P. A life cycle assessment of poly-hydroxybutyrate extraction from microbial biomass using dimethyl carbonate. *J. Clean. Prod.* **2017**, *168*, 692–707. [[CrossRef](#)]
57. Samori, C.; Basaglia, M.; Casella, S.; Favaro, L.; Galletti, P.; Giorgini, L.; Marchi, D.; Mazzocchetti, L.; Torri, C.; Tagliavini, E. Dimethyl carbonate and switchable anionic surfactants: Two effective tools for the extraction of polyhydroxyalkanoates from microbial biomass. *Green Chem.* **2015**, *17*, 1047–1056. [[CrossRef](#)]
58. Senior, P.J.; Wright, L.F.; Alderson, B. Extraction Process. U.S. Patent 4,324,907, 13 April 1982.
59. Perry, R.H.; Green, D.W.; Maloney, J.O. *Perry's Chemical Engineers' Handbook*, 6th ed.; McGraw-Hill: New-York, NY, USA, 1984.
60. Harding, K.G.; Dennis, J.S.; von Blottnitz, H.; Harrison, S.T.L. Environmental analysis of plastic production processes: Comparing petroleum-based polypropylene and polyethylene with biologically-based poly-b-hydroxybutyric acid using life cycle analysis. *J. Biotechnol.* **2007**, *130*, 57–66. [[CrossRef](#)] [[PubMed](#)]
61. Morfino, A. Collection, Production and Analysis of the Inventory Data of the Life Cycle of the Ionic Liquid Bmim-BF₄ (In Italian). Bachelor's Thesis, University of Bologna, Bologna, Italy, 2009; p. 91.
62. Baker, C.G.J.; McKenzie, K.A. Energy consumption of industrial spray dryers. *Dry. Technol.* **2005**, *23*, 365–386. [[CrossRef](#)]
63. EEA. *EMEP/EEA Air Pollutant Emission Inventory Guidebook 2013*; Technical Guidance to Prepare National Emission Inventories; EEA Technical Report 12; Publications Office of the European Union: Luxembourg, 2013.
64. Kujawski, W. Application of pervaporation and vapor permeation in environmental protection. *Pol. J. Environ. Stud.* **2000**, *9*, 13–26.
65. Neel, J. *Introduction to Pervaporation. Pervaporation Membrane Separation Processes*; Elsevier: Amsterdam, The Netherlands, 1991.
66. Chi, C.; Li, Y.; Sun, R.; Ma, X.; Duan, L.; Wang, Z. HCl removal performance of Mg-stabilized carbide slag from carbonation/calcination cycles for CO₂ capture. *RSC Adv.* **2016**, *6*, 104303–104310. [[CrossRef](#)]
67. Damgaard, A.; Riber, C.; Fruergaard, T.; Hulgaard, T.; Christensen, T.H. Life cycle assessment of the historical development of air pollution control and energy recovery in waste incineration. *Waste Manag.* **2010**, *30*, 1244–1250. [[CrossRef](#)] [[PubMed](#)]
68. Hunt, G.; Heiszwolf, J.J.; Sewell, M. Enhanced Hydrated Lime—A Simple Solution for Acid Gas Compliance. *IEEE Trans. Ind. Appl.* **2017**, *54*, 796–807. [[CrossRef](#)]
69. Dal Pozzo, A.; Guglielmi, D.; Antonioni, G.; Tugnoli, A. Sustainability analysis of dry treatment technologies for acid gas removal in waste-to-energy plants. *J. Clean. Prod.* **2017**, *162*, 1061–1074. [[CrossRef](#)]
70. Dal Pozzo, A.; Guglielmi, D.; Antonioni, G.; Tugnoli, A. Two-stage vs. single stage acid gas treatment systems: A performance assessment based on economic and environmental indices. In Proceedings of the 9th International Conference on Environmental Engineering and Management (ICEEM09), Bologna, Italy, 6–9 September 2017.
71. Foo, R.; Berger, R.; Heiszwolf, J.J. Reaction Kinetic Modeling of DSI for MATS Compliance. In Proceedings of the Power Plant Pollutant Control and Carbon Management “MEGA” Symposium, Baltimore, MD, USA, 16–19 August 2016.
72. Marocco, L.; Mora, A. CFD modeling of the Dry-Sorbent-Injection process for flue gas desulfurization using hydrated lime. *Sep. Purif. Technol.* **2013**, *108*, 205–214. [[CrossRef](#)]
73. Gutiérrez Ortiz, F.J.; Ollero, P. A realistic approach to modeling an in-duct desulfurization process based on an experimental pilot plant study. *Chem. Eng. J.* **2008**, *141*, 141–150. [[CrossRef](#)]
74. Dal Pozzo, A.; Antonioni, G.; Guglielmi, D.; Stramigioli, C.; Cozzani, V. Comparison of alternative flue gas dry treatment technologies in waste-to-energy processes. *Waste Manag.* **2016**, *51*, 81–90. [[CrossRef](#)] [[PubMed](#)]
75. Kim, K.-D.; Jeon, S.-M.; Hasolli, N.; Lee, K.-S.; Lee, J.-R.; Han, J.-W.; Kim, H.-T.; Park, Y.-O. HCl removal characteristics of calcium hydroxide at the dry-type sorbent reaction accelerator using municipal waste incinerator flue gas at a real site. *Korean J. Chem. Eng.* **2017**, *34*, 747–756. [[CrossRef](#)]
76. Brna, T.G. Cleaning of Flue Gases from Waste Combustors. *Combust. Sci. Technol.* **1990**, *74*, 83–98. [[CrossRef](#)]
77. Antonioni, G.; Dal Pozzo, A.; Guglielmi, D.; Tugnoli, A.; Cozzani, V. Enhanced modelling of heterogeneous gas-solid reactions in acid gas removal dry processes. *Chem. Eng. Sci.* **2016**, *148*, 140–154. [[CrossRef](#)]
78. Dal Pozzo, A.; Moricone, R.; Antonioni, G.; Tugnoli, A.; Cozzani, V. Hydrogen Chloride Removal from Flue Gas by Low-Temperature Reaction with Calcium Hydroxide. *Energy Fuels* **2018**, *32*, 747–756. [[CrossRef](#)]

79. Margallo, M.; Taddei, M.B.M.; Hernandez-Pellon, A.; Aldaco, R.; Irabien, A. Environmental sustainability assessment of the management of municipal solid waste incineration residues: A review of the current situation. *Clean. Technol. Environ. Policy* **2015**, *17*, 1333–1353. [CrossRef]
80. Walawska, B.; Szymanek, A.; Pajdak, A.; Nowak, M. Flue gas desulfurization by mechanically and thermally activated sodium bicarbonate. *Pol. J. Chem. Technol.* **2014**, *16*, 56–62. [CrossRef]
81. Brivio, S. The SOLVAL platform: A sodium sludges valorization, an industrial reality for the environment (in Italian). *L'Ambiente* **2005**, *3*, 48–49.
82. ELCD. European Reference Life Cycle Database. Available online: eplca.jrc.ec.europa.eu/ELCD3/index.xhtml (accessed on 2 February 2018).
83. Swedish Life Cycle Center. CPM LCA Database. Available online: cpmdatabase.cpm.chalmers.se (accessed on 2 February 2018).
84. Ninane, L.; Adam, J.F.; Humblot, C. Method for Producing an Aqueous Industrial Sodium Chloride Solution. U.S. Patent 5478447, 26 December 1995.
85. Molerus, O. Overview: Pneumatic transport of solids. *Powder Technol.* **1996**, *88*, 309–321. [CrossRef]
86. US EPA. *Air Pollution Control Cost Manual*, 6th ed.; United States Environmental Protection Agency Office of Air Quality Planning and Standards: Research Triangle Park, NC, USA, 2002. Available online: www3.epa.gov/ttn/catc1/dir1/c_allchs.pdf (accessed on 2 February 2018).
87. European Commission. *Reference Document on BAT in Common Waste Water and Waste Gas Treatment/Management Systems in the Chemical Sector*; Technical Report; Publications Office of the European Union: Luxembourg, 2016; Available online: <https://ec.europa.eu/jrc/en/publication/euro-scientific-and-technical-research-reports/best-available-techniques-bat-reference-document-common-waste-water-and-waste-gas> (accessed on 2 February 2018).
88. Institute of Environmental Sciences (CML). *CML-IA Characterization Factors*; Universiteit Leiden: Leiden, The Netherlands, 2016; Available online: www.universiteitleiden.nl/en/research/research-output/science/cml-ia-characterisation-factors (accessed on 2 February 2018).



© 2018 by the authors. Licensee MDPI, Basel, Switzerland. This article is an open access article distributed under the terms and conditions of the Creative Commons Attribution (CC BY) license (<http://creativecommons.org/licenses/by/4.0/>).