

52. IWK

Internationales Wissenschaftliches Kolloquium
International Scientific Colloquium



PROCEEDINGS

10 - 13 September 2007

FACULTY OF COMPUTER SCIENCE AND AUTOMATION



COMPUTER SCIENCE MEETS AUTOMATION

VOLUME I

Session 1 - Systems Engineering and Intelligent Systems

Session 2 - Advances in Control Theory and Control Engineering

**Session 3 - Optimisation and Management of Complex
Systems and Networked Systems**

Session 4 - Intelligent Vehicles and Mobile Systems

Session 5 - Robotics and Motion Systems



Bibliografische Information der Deutschen Bibliothek
Die Deutsche Bibliothek verzeichnet diese Publikation in der deutschen
Nationalbibliografie; detaillierte bibliografische Daten sind im Internet über
<http://dnb.ddb.de> abrufbar.

ISBN 978-3-939473-17-6

Impressum

- Herausgeber: Der Rektor der Technischen Universität Ilmenau
Univ.-Prof. Dr. rer. nat. habil. Peter Scharff
- Redaktion: Referat Marketing und Studentische Angelegenheiten
Kongressorganisation
Andrea Schneider
Tel.: +49 3677 69-2520
Fax: +49 3677 69-1743
e-mail: kongressorganisation@tu-ilmenau.de
- Redaktionsschluss: Juli 2007
- Verlag: 
Technische Universität Ilmenau/Universitätsbibliothek
Universitätsverlag Ilmenau
Postfach 10 05 65
98684 Ilmenau
www.tu-ilmenau.de/universitaetsverlag
- Herstellung und
Auslieferung: Verlagshaus Monsenstein und Vannerdat OHG
Am Hawerkamp 31
48155 Münster
www.mv-verlag.de
- Layout Cover: www.cey-x.de
- Bezugsmöglichkeiten: Universitätsbibliothek der TU Ilmenau
Tel.: +49 3677 69-4615
Fax: +49 3677 69-4602

© Technische Universität Ilmenau (Thür.) 2007

Diese Publikationen und alle in ihr enthaltenen Beiträge und Abbildungen sind urheberrechtlich geschützt. Mit Ausnahme der gesetzlich zugelassenen Fälle ist eine Verwertung ohne Einwilligung der Redaktion strafbar.

Preface

Dear Participants,

Confronted with the ever-increasing complexity of technical processes and the growing demands on their efficiency, security and flexibility, the scientific world needs to establish new methods of engineering design and new methods of systems operation. The factors likely to affect the design of the smart systems of the future will doubtless include the following:

- As computational costs decrease, it will be possible to apply more complex algorithms, even in real time. These algorithms will take into account system nonlinearities or provide online optimisation of the system's performance.
- New fields of application will be addressed. Interest is now being expressed, beyond that in "classical" technical systems and processes, in environmental systems or medical and bioengineering applications.
- The boundaries between software and hardware design are being eroded. New design methods will include co-design of software and hardware and even of sensor and actuator components.
- Automation will not only replace human operators but will assist, support and supervise humans so that their work is safe and even more effective.
- Networked systems or swarms will be crucial, requiring improvement of the communication within them and study of how their behaviour can be made globally consistent.
- The issues of security and safety, not only during the operation of systems but also in the course of their design, will continue to increase in importance.

The title "Computer Science meets Automation", borne by the 52nd International Scientific Colloquium (IWK) at the Technische Universität Ilmenau, Germany, expresses the desire of scientists and engineers to rise to these challenges, cooperating closely on innovative methods in the two disciplines of computer science and automation.

The IWK has a long tradition going back as far as 1953. In the years before 1989, a major function of the colloquium was to bring together scientists from both sides of the Iron Curtain. Naturally, bonds were also deepened between the countries from the East. Today, the objective of the colloquium is still to bring researchers together. They come from the eastern and western member states of the European Union, and, indeed, from all over the world. All who wish to share their ideas on the points where "Computer Science meets Automation" are addressed by this colloquium at the Technische Universität Ilmenau.

All the University's Faculties have joined forces to ensure that nothing is left out. Control engineering, information science, cybernetics, communication technology and systems engineering – for all of these and their applications (ranging from biological systems to heavy engineering), the issues are being covered.

Together with all the organizers I should like to thank you for your contributions to the conference, ensuring, as they do, a most interesting colloquium programme of an interdisciplinary nature.

I am looking forward to an inspiring colloquium. It promises to be a fine platform for you to present your research, to address new concepts and to meet colleagues in Ilmenau.



Professor Peter Scharff
Rector, TU Ilmenau



Professor Christoph Ament
Head of Organisation

Table of Contents

CONTENTS

	Page
1 Systems Engineering and Intelligent Systems	
A. Yu. Nedelina, W. Fengler DIPLAN: Distributed Planner for Decision Support Systems	3
O. Sokolov, M. Wagenknecht, U. Gocht Multiagent Intelligent Diagnostics of Arising Faults	9
V. Nissen Management Applications of Fuzzy Control	15
O. G. Rudenko, A. A. Bessonov, P. Otto A Method for Information Coding in CMAC Networks	21
Ye. Bodyanskiy, P. Otto, I. Pliss, N. Teslenko Nonlinear process identification and modeling using general regression neuro-fuzzy network	27
Ye. Bodyanskiy, Ye. Gorshkov, V. Kolodyazhniy, P. Otto Evolving Network Based on Double Neo-Fuzzy Neurons	35
Ch. Wachten, Ch. Ament, C. Müller, H. Reinecke Modeling of a Laser Tracker System with Galvanometer Scanner	41
K. Lüttkopf, M. Abel, B. Eylert Statistics of the truck activity on German Motorways	47
K. Meissner, H. Hensel A 3D process information display to visualize complex process conditions in the process industry	53
F.-F. Steege, C. Martin, H.-M. Groß Recent Advances in the Estimation of Pointing Poses on Monocular Images for Human-Robot Interaction	59
A. González, H. Fernlund, J. Ekblad After Action Review by Comparison – an Approach to Automatically Evaluating Trainee Performance in Training Exercise	65
R. Suzuki, N. Fujiki, Y. Taru, N. Kobayashi, E. P. Hofer Internal Model Control for Assistive Devices in Rehabilitation Technology	71
D. Sommer, M. Golz Feature Reduction for Microsleep Detection	77

F. Müller, A. Wenzel, J. Wernstedt A new strategy for on-line Monitoring and Competence Assignment to Driver and Vehicle	83
V. Borikov Linear Parameter-Oriented Model of Microplasma Process in Electrolyte Solutions	89
A. Avshalumov, G. Filaretov Detection and Analysis of Impulse Point Sequences on Correlated Disturbance Phone	95
H. Salzwedel Complex Systems Design Automation in the Presence of Bounded and Statistical Uncertainties	101
G. J. Nalepa, I. Wojnicki Filling the Semantic Gaps in Systems Engineering	107
R. Knauf Compiling Experience into Knowledge	113
R. Knauf, S. Tsuruta, Y. Sakurai Toward Knowledge Engineering with Didactic Knowledge	119
2 Advances in Control Theory and Control Engineering	
U. Konigorski, A. López Output Coupling by Dynamic Output Feedback	129
H. Toossian Shandiz, A. Hajipoor Chaos in the Fractional Order Chua System and its Control	135
O. Katernoga, V. Popov, A. Potapovich, G. Davydau Methods for Stability Analysis of Nonlinear Control Systems with Time Delay for Application in Automatic Devices	141
J. Zimmermann, O. Sawodny Modelling and Control of a X-Y-Fine-Positioning Table	145
A. Winkler, J. Suchý Position Based Force Control of an Industrial Manipulator	151
E. Arnold, J. Neupert, O. Sawodny, K. Schneider Trajectory Tracking for Boom Cranes Based on Nonlinear Control and Optimal Trajectory Generation	157

K. Shaposhnikov, V. Astakhov The method of ortogonal projections in problems of the stationary magnetic field computation	165
J. Naumenko The computing of sinusoidal magnetic fields in presence of the surface with bounded conductivity	167
K. Bayramkulov, V. Astakhov The method of the boundary equations in problems of computing static and stationary fields on the topological graph	169
T. Kochubey, V. Astakhov The computation of magnetic field in the presence of ideal conductors using the Integral-differential equation of the first kind	171
M. Schneider, U. Lehmann, J. Krone, P. Langbein, Ch. Ament, P. Otto, U. Stark, J. Schrickel Artificial neural network for product-accompanied analysis and control	173
I. Jawish The Improvement of Traveling Responses of a Subway Train using Fuzzy Logic Techniques	179
Y. Gu, H. Su, J. Chu An Approach for Transforming Nonlinear System Modeled by the Feedforward Neural Networks to Discrete Uncertain Linear System	185
3 Optimisation and Management of Complex Systems and Networked Systems	
R. Franke, J. Doppelhammer Advanced model based control in the Industrial IT System 800xA	193
H. Gerbracht, P. Li, W. Hong An efficient optimization approach to optimal control of large-scale processes	199
T. N. Pham, B. Wutke Modifying the Bellman's dynamic programming to the solution of the discrete multi-criteria optimization problem under fuzziness in long-term planning	205
S. Ritter, P. Bretschneider Optimale Planung und Betriebsführung der Energieversorgung im liberalisierten Energiemarkt	211
P. Bretschneider, D. Westermann Intelligente Energiesysteme: Chancen und Potentiale von IuK-Technologien	217

Z. Lu, Y. Zhong, Yu. Wu, J. Wu WSReMS: A Novel WSDM-based System Resource Management Scheme	223
M. Heit, E. Jennenchen, V. Kruglyak, D. Westermann Simulation des Strommarktes unter Verwendung von Petrinetzen	229
O. Sauer, M. Ebel Engineering of production monitoring & control systems	237
C. Behn, K. Zimmermann Biologically inspired Locomotion Systems and Adaptive Control	245
J. W. Vervoorst, T. Kopfstedt Mission Planning for UAV Swarms	251
M. Kaufmann, G. Bretthauer Development and composition of control logic networks for distributed mechatronic systems in a heterogeneous architecture	257
T. Kopfstedt, J. W. Vervoorst Formation Control for Groups of Mobile Robots Using a Hierarchical Controller Structure	263
M. Abel, Th. Lohfelder Simulation of the Communication Behaviour of the German Toll System	269
P. Hilgers, Ch. Ament Control in Digital Sensor-Actuator-Networks	275
C. Saul, A. Mitschele-Thiel, A. Diab, M. Abd rabou Kalil A Survey of MAC Protocols in Wireless Sensor Networks	281
T. Rossbach, M. Götze, A. Schreiber, M. Eifart, W. Kattanek Wireless Sensor Networks at their Limits – Design Considerations and Prototype Experiments	287
Y. Zhong, J. Ma Ring Domain-Based Key Management in Wireless Sensor Network	293
V. Nissen Automatic Forecast Model Selection in SAP Business Information Warehouse under Noise Conditions	299
M. Kühn, F. Richter, H. Salzwedel Process simulation for significant efficiency gains in clinical departments – practical example of a cancer clinic	305

D. Westermann, M. Kratz, St. Kümmerling, P. Meyer Architektur eines Simulators für Energie-, Informations- und Kommunikationstechnologien	311
P. Moreno, D. Westermann, P. Müller, F. Büchner Einsatzoptimierung von dezentralen netzgekoppelten Stromerzeugungsanlagen (DEA) in Verteilnetzen durch Erhöhung des Automatisierungsgrades	317
M. Heit, S. Rozhenko, M. Kryvenka, D. Westermann Mathematische Bewertung von Engpass-Situationen in Transportnetzen elektrischer Energie mittels lastflussbasierter Auktion	331
M. Lemmel, M. Schnatmeyer RFID-Technology in Warehouse Logistics	339
V. Krugljak, M. Heit, D. Westermann Approaches for modelling power market: A Comparison.	345
St. Kümmerling, N. Döring, A. Friedemann, M. Kratz, D. Westermann Demand-Side-Management in Privathaushalten – Der eBox-Ansatz	351
4 Intelligent Vehicles and Mobile Systems	
A. P. Aguiar, R. Ghabchelloo, A. Pascoal, C. Silvestre , F. Vanni Coordinated Path following of Multiple Marine Vehicles: Theoretical Issues and Practical Constraints	359
R. Engel, J. Kalwa Robust Relative Positioning of Multiple Underwater Vehicles	365
M. Jacobi, T. Pfützenreuter, T. Glotzbach, M. Schneider A 3D Simulation and Visualisation Environment for Unmanned Vehicles in Underwater Scenarios	371
M. Schneider, M. Eichhorn, T. Glotzbach, P. Otto A High-Level Simulator for heterogeneous marine vehicle teams under real constraints	377
A. Zangrilli, A. Picini Unmanned Marine Vehicles working in cooperation: market trends and technological requirements	383
T. Glotzbach, P. Otto, M. Schneider, M. Marinov A Concept for Team-Orientated Mission Planning and Formal Language Verification for Heterogeneous Unmanned Vehicles	389

M. A. Arredondo, A. Cormack SeeTrack: Situation Awareness Tool for Heterogeneous Vehicles	395
J. C. Ferreira, P. B. Maia, A. Lucia, A. I. Zapaniotis Virtual Prototyping of an Innovative Urban Vehicle	401
A. Wenzel, A. Gehr, T. Glotzbach, F. Müller Superfour-in: An all-terrain wheelchair with monitoring possibilities to enhance the life quality of people with walking disability	407
Th. Krause, P. Protzel Verteiltes, dynamisches Antriebssystem zur Steuerung eines Luftschiffes	413
T. Behrmann, M. Lemmel Vehicle with pure electric hybrid energy storage system	419
Ch. Schröter, M. Höchemer, H.-M. Groß A Particle Filter for the Dynamic Window Approach to Mobile Robot Control	425
M. Schenderlein, K. Debes, A. Koenig, H.-M. Groß Appearance-based Visual Localisation in Outdoor Environments with an Omnidirectional Camera	431
G. Al Zeer, A. Nabout, B. Tibken Hindernsvermeidung für Mobile Roboter mittels Ausweichecken	437
5 Robotics and Motion Systems	
Ch. Schröter, H.-M. Groß Efficient Gridmaps for SLAM with Rao-Blackwellized Particle Filters	445
St. Müller, A. Scheidig, A. Ober, H.-M. Groß Making Mobile Robots Smarter by Probabilistic User Modeling and Tracking	451
A. Swerdlow, T. Machmer, K. Kroschel, A. Laubenheimer, S. Richter Opto-acoustical Scene Analysis for a Humanoid Robot	457
A. Ahranovich, S. Karpovich, K. Zimmermann Multicoordinate Positioning System Design and Simulation	463
A. Balkovoy, V. Cacenkin, G. Slivinskaia Statical and dynamical accuracy of direct drive servo systems	469
Y. Litvinov, S. Karpovich, A. Ahranovich The 6-DOF Spatial Parallel Mechanism Control System Computer Simulation	477

V. Lysenko, W. Mintchenya, K. Zimmermann 483
Minimization of the number of actuators in legged robots using
biological objects

J. Kroneis, T. Gastauer, S. Liu, B. Sauer 489
Flexible modeling and vibration analysis of a parallel robot with
numerical and analytical methods for the purpose of active vibration damping

A. Amthor, T. Hausotte, G. Jäger, P. Li 495
Friction Modeling on Nanometerscale and Experimental Verification

Paper submitted after copy deadline

2 Advances in Control Theory and Control Engineering

V. Piwek, B. Kuhfuss, S. Allers 503
Feed drivers – Synchronized Motion is leading to a process optimization

R. Franke / J. Doppelhamer

Advanced model based control in the Industrial IT System 800xA

Abstract

Advanced model based control is a promising technology that can improve the productivity of industrial processes. In order to find its way into regular applications, advanced control must be integrated with the industrial control systems. Modern control systems, on the other hand, need to extend the reach of traditional automation systems – beyond control of the process – to also cover the increasing amount of information technology (IT) required to successfully operate industrial processes in today's business markets. The Industrial IT System 800xA from ABB provides a scalable solution that spans and integrates loop, unit, area, plant, and interplant controls.

This paper introduces the 800xA and the underlying Aspect Object technology. It is shown how model knowledge and optimization solver technology are integrated into the 800xA framework. This way, advanced model based control solutions can be set up in an open and modularly structured way. New model and solver aspects can be combined with available aspects covering standard functionality like process connectivity, management of process data, trend&history data and application data, as well as operator graphics.

A Nonlinear Model-based Predictive Controller (NMPC) for power plant start-up is treated as example. This paper discusses how NMPC can be integrated with a modern control system so that standard concepts are re-used for this advanced model based control concept.

Introduction

During the last decades, several advanced control technologies have been developed, including adaptive control, fuzzy control and neuro control. While each of these technologies offers advantages over classical control methods, PID controllers still dominate the vast majority of industrial applications.

One reason for the lack of mainstream use of advanced control technologies is seen in the fact that they require specialized engineering knowledge and tools. Normally, specialized experts are required to apply advanced control methods. A better integration of advanced control technologies with regular control systems is seen as a key factor for improved acceptance.

Nonlinear model based control (NMPC) has received much attention during the last years. The technology has several advantages from a control point of view: it accommodates nonlinear, multi-variable problems with state constraints. Important achievements have been made to treat the computationally challenging task of formulating and solving large-scale nonlinear optimization problems on-line [4, 2, 6]. Moreover, NMPC has the advantage that the technology is more open, compared to other advanced control methods. Models do represent the behavior of a plant and standard optimization algorithms are used to apply the models to control. This openness improves the acceptance of NMPC on the one hand side.

On the other side, still special purpose tools are required to implement model based control. This implies that concepts which are readily available in a standard control system need to be

specifically interfaced or even redeveloped for applications of model based control, including e.g. signal exchange with sensors, actuators and low level controls, operator graphics, trend&history display, signaling of alarms and events, as well as system maintenance. This is seen as an important burden for both: acceptance and cost of NMPC.

The Industrial IT System 800xA

The Industrial IT System 800xA seamlessly integrates traditionally isolated plant devices and systems, extending the reach of the automation system to all plant areas. The result is a simplified, software representation of the plant, from simple on/off-type switches and valves to smart field devices, dedicated control subsystems, and PC-based supervisory systems [1].

The framework for the 800xA system architecture is built upon ABB's Aspect Object technology. Aspect Objects relate plant data and functions – the aspects, to specific plant assets – the objects. Aspect objects represent real objects, such as process units, devices and controllers. Aspects are informational items, such as I/O definitions, engineering drawings, process graphics, reports and trends that are assigned to the objects in the system.

Aspect Objects are organized in hierarchical structures that represent different views of the plant. One object may be placed multiple times in different structures. Examples for different types of structures are:

Functional Structure: Shows the plant from the process point of view.

Location Structure: Shows the physical layout of what equipment is located where in the plant.

Control Structure: Shows the control network in terms of networks, nodes, fieldbuses, and stations.

The idea of placing the same object in multiple structures is based on the IEC standard 1346 [9, 3].

Integration of model based control

A new Model aspect has been developed so that mathematical model information can be added to an Aspect Object. The model has the form of a hybrid differential algebraic equation system (hybrid DAE)

$$\mathbf{0} = \mathbf{F}[\mathbf{x}(t), \dot{\mathbf{x}}(t), \mathbf{m}(t), \mathbf{u}(t), \mathbf{z}(t), \mathbf{y}(t), \mathbf{p}, t], \quad (1)$$

$$\mathbf{F} : \mathbb{R}^{n_x} \times \mathbb{R}^{n_x} \times \mathbb{R}^{n_m} \times \mathbb{R}^{n_u} \times \mathbb{R}^{n_z} \times \mathbb{R}^{n_y} \times \mathbb{R}^{n_p} \times \mathbb{R}^1 \mapsto \mathbb{R}^{n_x}$$

$$\mathbf{m}(t) := \mathbf{G}[\mathbf{x}(t), \mathbf{m}(t), \mathbf{u}(t), \mathbf{z}(t), \mathbf{y}(t), \mathbf{p}, t], \quad (2)$$

$$\mathbf{G} : \mathbb{R}^{n_x} \times \mathbb{R}^{n_m} \times \mathbb{R}^{n_u} \times \mathbb{R}^{n_z} \times \mathbb{R}^{n_y} \times \mathbb{R}^{n_p} \times \mathbb{R}^1 \mapsto \mathbb{R}^{n_m}.$$

Here \mathbf{x} denote continuous-time states, \mathbf{m} are discrete modes, \mathbf{u} and \mathbf{z} are controlled and not-controlled inputs, respectively, \mathbf{y} are outputs and \mathbf{p} are model parameters. Discrete modes are variables that change their values only at discrete time instants, so called event instants t_e . See [10] for more information on the treated hybrid DAE.

The Model aspect holds information related to the model, including

- Declaration of model variables in categories (Parameter, Input, Output, State, Generic),
- Values for model variables, e.g. for parameters,
- References to process signals, e.g. for inputs and outputs,
- Structural information for hierarchical sub-model structure,
- Reference to the implementation of the model.

The Model aspect does not provide any functionality nor does it deal with implementation details. Instead it references an external implementation. In this way available modeling tools can be applied and expensive re-implementation is avoided.

A model can be used to perform one or more model-based activities. A second aspect, the Dynamic Optimization aspect has been developed to interface a numerical solver, hold the solver configuration, and to exchange data between the solver and the control system. The exchanged data includes: configuration data, current process values (like sensor values and controller set-points), and history logs. Predictions are written back to the control system as history logs with future time stamps.

The integrated solver HQP is primarily intended for structured, large-scale nonlinear optimization [7]. It implements a Sequential Quadratic Programming algorithm that treats nonlinear optimization problems with a sequence of linear-quadratic sub-problems. The sub-problems are formed internally by simulating the model and by analyzing sensitivities. They are solved with an interior point method that is especially suited for a high number of inequality constraints, e.g. resulting from the discretization of path constraints. See [6], [8], and [7] for more details about the solver.

The treated model based activities include

- Initial value simulation for specified initial states $\mathbf{x}(t_0)$ and model inputs,
- Estimation of model parameters and initial states,
- Nonlinear optimal control with constraints on model inputs and outputs,
- Steady-state simulation, estimation and optimization at one time instant.

The object-oriented, physical modeling technology Modelica is used to build the models [10]. A physical plant model is built on available model libraries [5]. It is used by both: state estimator and optimizer. Moreover, specific preprocessor and the postprocessor models are formulated as computational algorithms in Modelica. The scheduler model is formulated as state graph [12].

Application example

A Nonlinear Model-based Predictive Controller (NMPC) for power plant start-up serves as example. The start-up problem is challenging as it is highly nonlinear in the covered large range of operation. Thermal stress occurring in thick walled components needs to be kept in given limits. Multiple manipulated variables must be coordinated. A long prediction horizon is required to fulfill the constraints during a start-up.

Figure 1 shows a process diagram of a power plant. Feed water goes through pre-heaters and the economizer into the evaporator, as seen in the lower left section of the diagram. Saturated steam leaving the evaporator is super-heated in several super-heater stages. The example uses

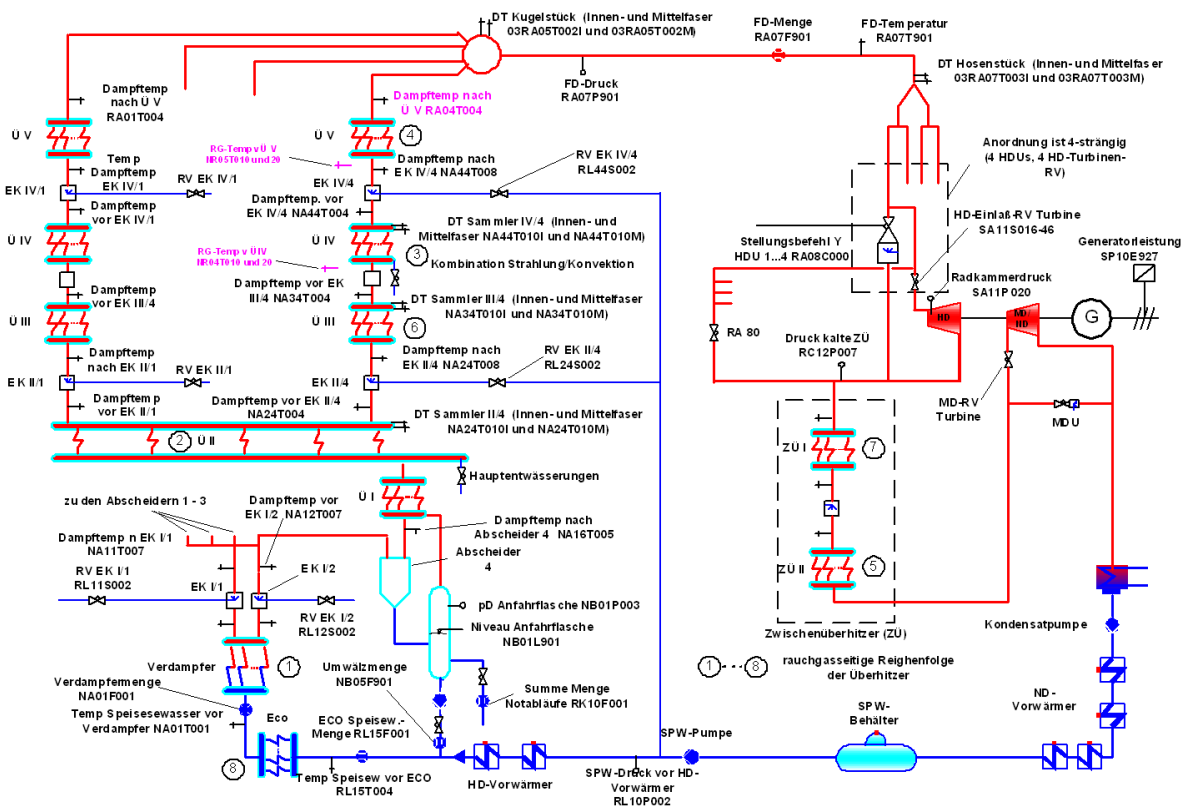


Figure 1: Simplified process diagram of a power plant.

five super-heater stages and four parallel streams, as seen in the upper left section of the diagram. The live steam leaving the boiler goes to the turbine. The example uses two turbine sections. In the turbine, thermal energy is transformed to mechanical energy, driving the generator. Afterwards the steam is condensed and water flows back to the feed water tank, as seen in the lower right section of the diagram.

A boiler model was built using the Modelica technology [5]. The model needs to be carefully designed so that it expresses the relationship between optimized control actions (fuel flow rate and valve positions) and constrained process values (pressures, temperatures and thermal stresses). In the example described here, a system of differential-algebraic equations (DAE) with 940 variables was built, using measurements of about 150 process values. The Dynamic Optimization aspect system was used off-line to identify model parameters based on data logs available for historical start-ups.

During a run of the NMPC, an optimization problem is solved on-line every minute. The model is adapted to the process based on 36 on-line signals. 18 values are communicated back to the process, including three controller set points and additional signals for switch conditions and operator displays. The time horizon for prediction and control is 90 minutes in the example. It gets divided into 90 sample periods. The optimized manipulated variables are parameterized piecewise linear. All other model variables are evaluated at the sample time points. This means that overall 85540 variables are present in the on-line optimization problem. The solution time is about five minutes for a cold start of the solver and about 40 seconds for a subsequent solver run. Please see [8] for details about the numerical formulation and solution of the optimization problem.

Figure 2 shows an operator display for boiler start-up optimization. The trend plot displays the

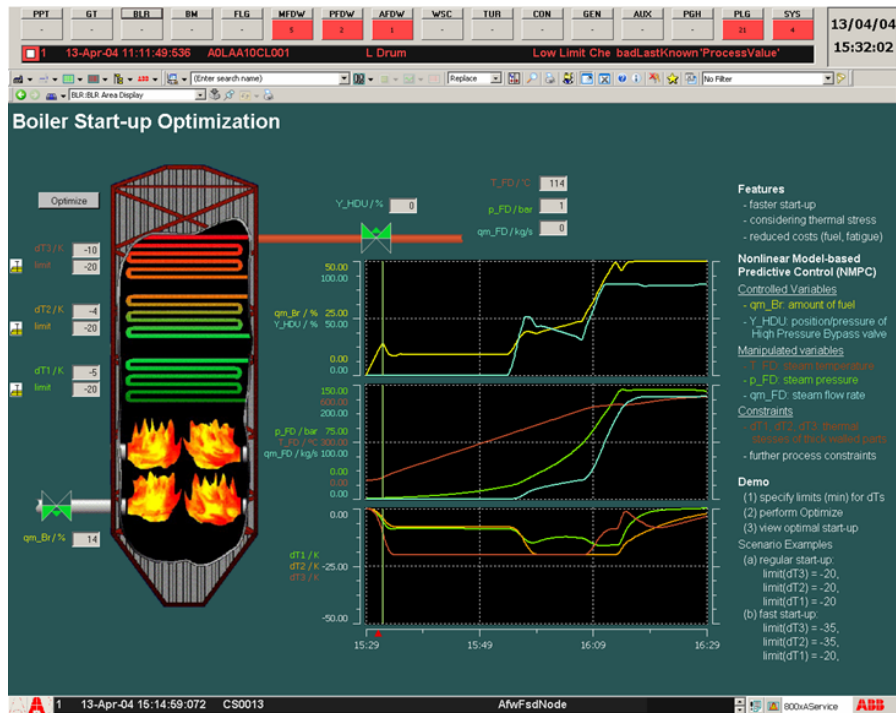


Figure 2: Operator display showing the optimal start-up predicted by the NMPC, in addition to current process values and history logs.

manipulated variables in the upper pane, the main process variables (live steam parameters) in the middle pane and constrained thermal stresses in the lower pane. As a result of the optimization, the process is driven along the allowed limits for thermal stresses.

Traditionally an operator display shows current process values and history logs. As a by-product of model predictive control, the operator can additionally see the prediction of the future behavior of the plant. As the NMPC runs integrated with the control system, this display can easily be configured.

Using the NMPC, the start-up time could be reduced by about 20 minutes and the start-up costs by 10% as compared to a well tuned classical control.

Conclusions

Nonlinear Model-based Predictive Control (NMPC) is a promising control technology. Due to advances in computational algorithms during recent years, it is now possible formulate and solve the underlying large-scale nonlinear optimization problems on-line under real-time conditions. The example discussed here was developed in detail in [8].

For a successful application of NMPC it is equally important to appropriately integrate the method with the control system. This paper discusses how this is done with the Industrial IT System 800xA by ABB. Based on international standards for control systems engineering and software, the System 800xA architecture and the Aspect Object technology allow a flexible integration of model knowledge and model based applications. Two new aspects have been developed in the Dynamic Optimization system extension. The new aspects can be combined with other available aspects, e.g. for controller connectivity, history logs and process graphics.

The NMPC runs on an application server that is integrated as additional node with the system. Installation and maintenance are identical to other nodes, like data servers and display clients.

This paper uses the start-up of a power plant as example. Batch processes are another promising application area, as described in [11].

References:

- [1] ABB Automation Technologies. Industrial IT System 800xA – System Architecture Overview. <http://www.abb.com>, Document Id: 3BUS092080R0101, 2005.
- [2] Lorenz T. Biegler. Efficient solution of dynamic optimization and NMPC problems. In Frank Allgöwer and Alex Zheng, editors, *Nonlinear Model Predictive Control*, pages 219–243. Birkhäuser, Basel, 2000.
- [3] L.G. Bratthall, R. van der Geest, H. Hoffmann, E. Jellum, Z. Korendo, R. Martinez, M. Orkisz, C. Zeidler, and J. S Andersson. Integrating hundred's of products through one architecture – the Industrial IT architecture. In *International Convergence on Software Engineering*. Orlando, Florida, USA, 2002.
- [4] M. Diehl, R. Findeisen, S. Schwarzkopf, I. Uslu, F. Allgöwer, H.G. Bock, and J.P. Schlöder. An efficient algorithm for optimization in nonlinear model predictive control of large-scale systems. *at – Automatisierungstechnik*, 50(12), 2002.
- [5] H. Elmqvist, H. Tummescheit, and M. Otter. Modeling of thermo-fluid systems – Modelica.Media and Modelica.Fluid. In *Proceedings of the 3rd International Modelica Conference*. Modelica Association, Linköping, Sweden, November 2003.
- [6] R. Franke and E. Arnold. Applying new numerical algorithms to the solution of discrete-time optimal control problems. In K. Warwick and M. Kárný, editors, *Computer-Intensive Methods in Control and Signal Processing: The Curse of Dimensionality*, pages 105–118. Birkhäuser Verlag, Basel, 1997.
- [7] R. Franke, E. Arnold, and H. Linke. HQP: a solver for nonlinearly constrained large-scale optimization. <http://hqp.sourceforge.net>.
- [8] R. Franke, K. Krüger, and M. Rode. Nonlinear model predictive control for optimized startup of steam boilers. In *GMA-Kongress 2003*. VDI-Verlag, Düsseldorf, 2003. VDI-Berichte Nr. 1756, ISBN 3-18-091756-3.
- [9] International Electrotechnical Commission. Industrial systems, installations and equipment and industrial products – structuring principles and reference designations. IEC Standard 61346, 1996.
- [10] Modelica Association. Modelica – A Unified Object-Oriented Language for Physical Systems Modeling, Version 2.2. <http://www.modelica.org>, 2005.
- [11] Z.K. Nagy, B. Mahn, R. Franke, and F. Allgöwer. Nonlinear model predictive control of batch processes: an industrial case study. In *16th IFAC World Congress*. Prague, Czech Republic, July 2005.
- [12] M. Otter, J. Årzén, and A. Schneider. StateGraph – a Modelica library for hierarchical state machines. In *Proceedings of the 4th International Modelica Conference*. Modelica Association, Hamburg-Harburg, Germany, March 2005.

Author information:

Rüdiger Franke
ABB AG, Power Technology Systems
Kallstadter Str. 1
68309 Mannheim, Germany
E-mail: Ruediger.Franke@de.abb.com

Jens Doppelhamer
ABB Corporate Research
Wallstadter Str. 59
68526 Ladenburg, Germany
E-mail: Jens.Doppelhamer@de.abb.com