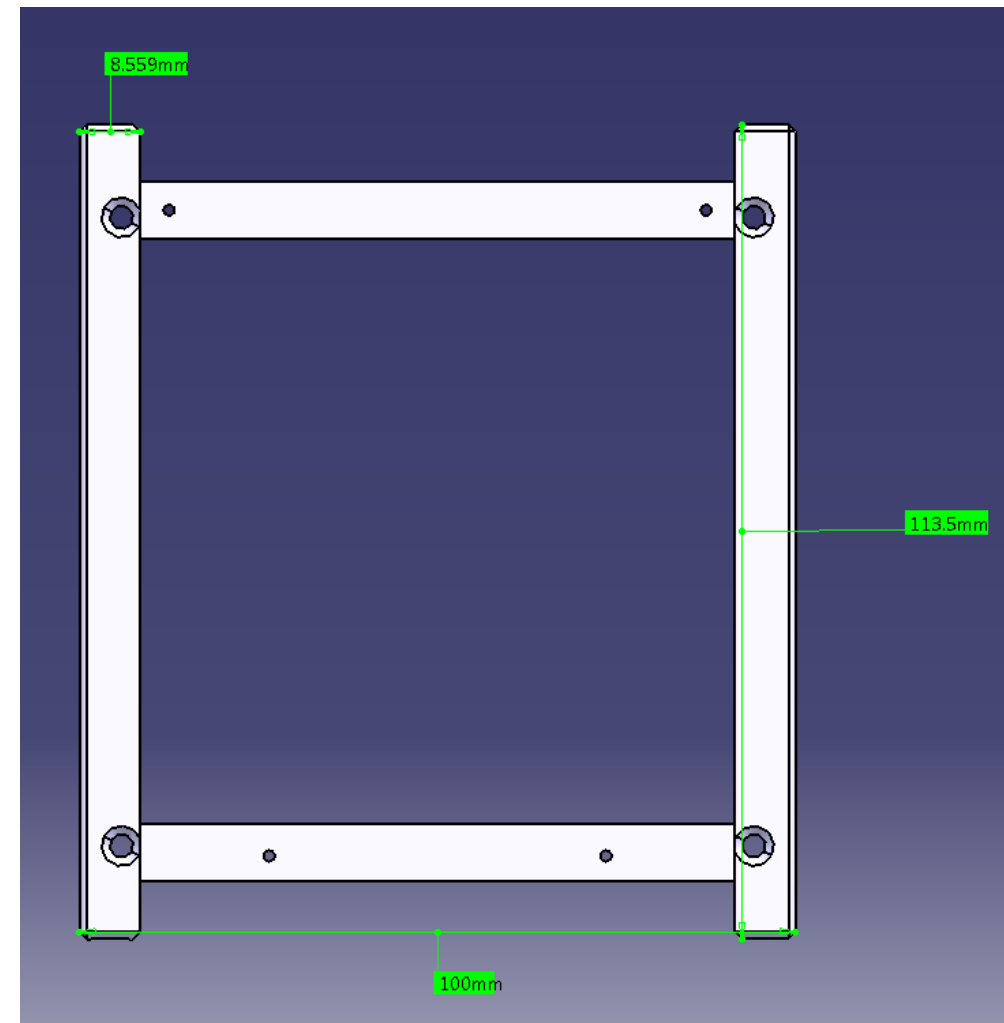


Designing EagleSat's Structure

Aaron Taylor
NASA Space Grant Intern

Requirements



Revision 1



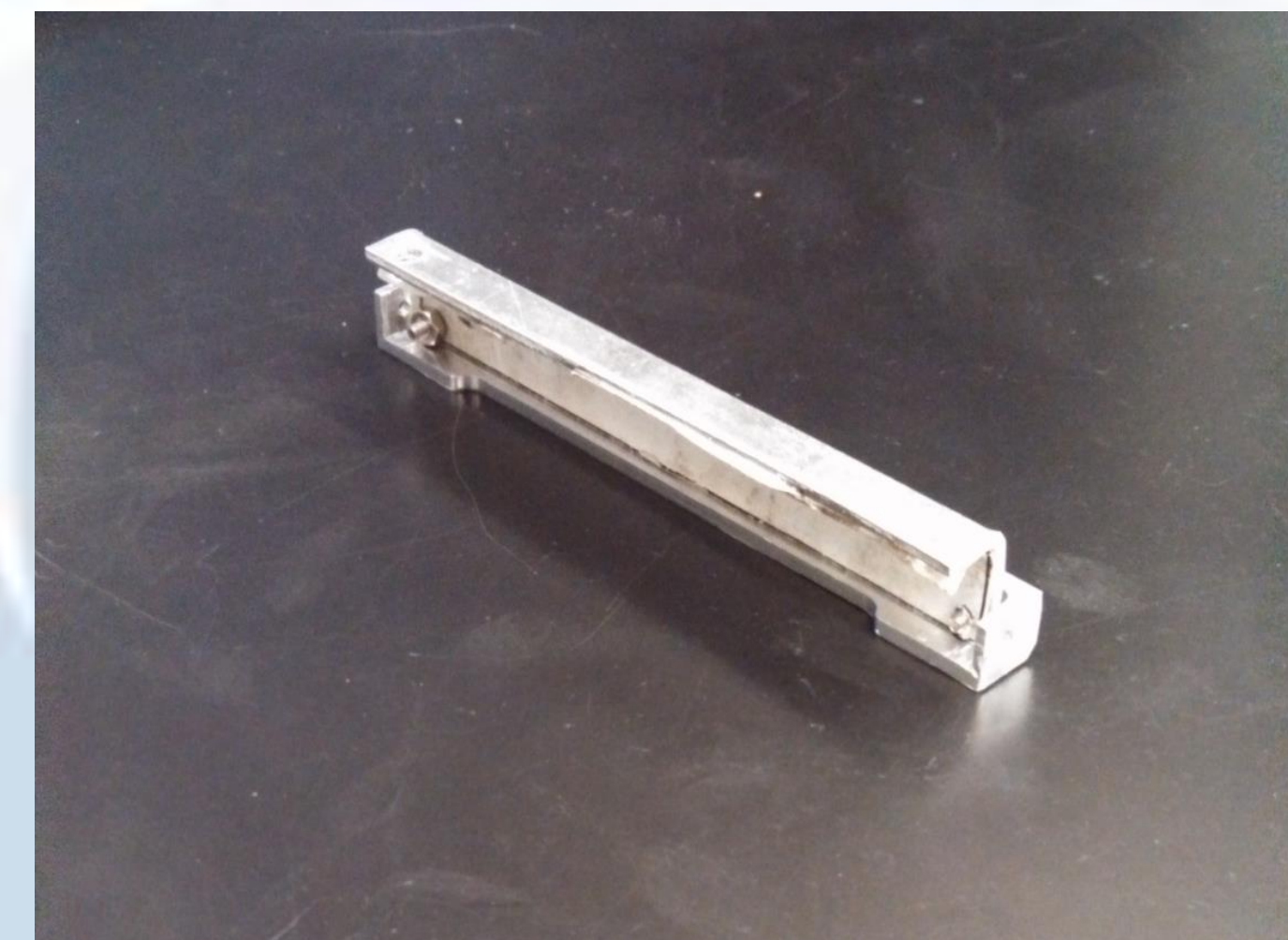
Revision 2 Goals

1. Reduce amount of material used
2. Quick assembly/disassembly for easy board access

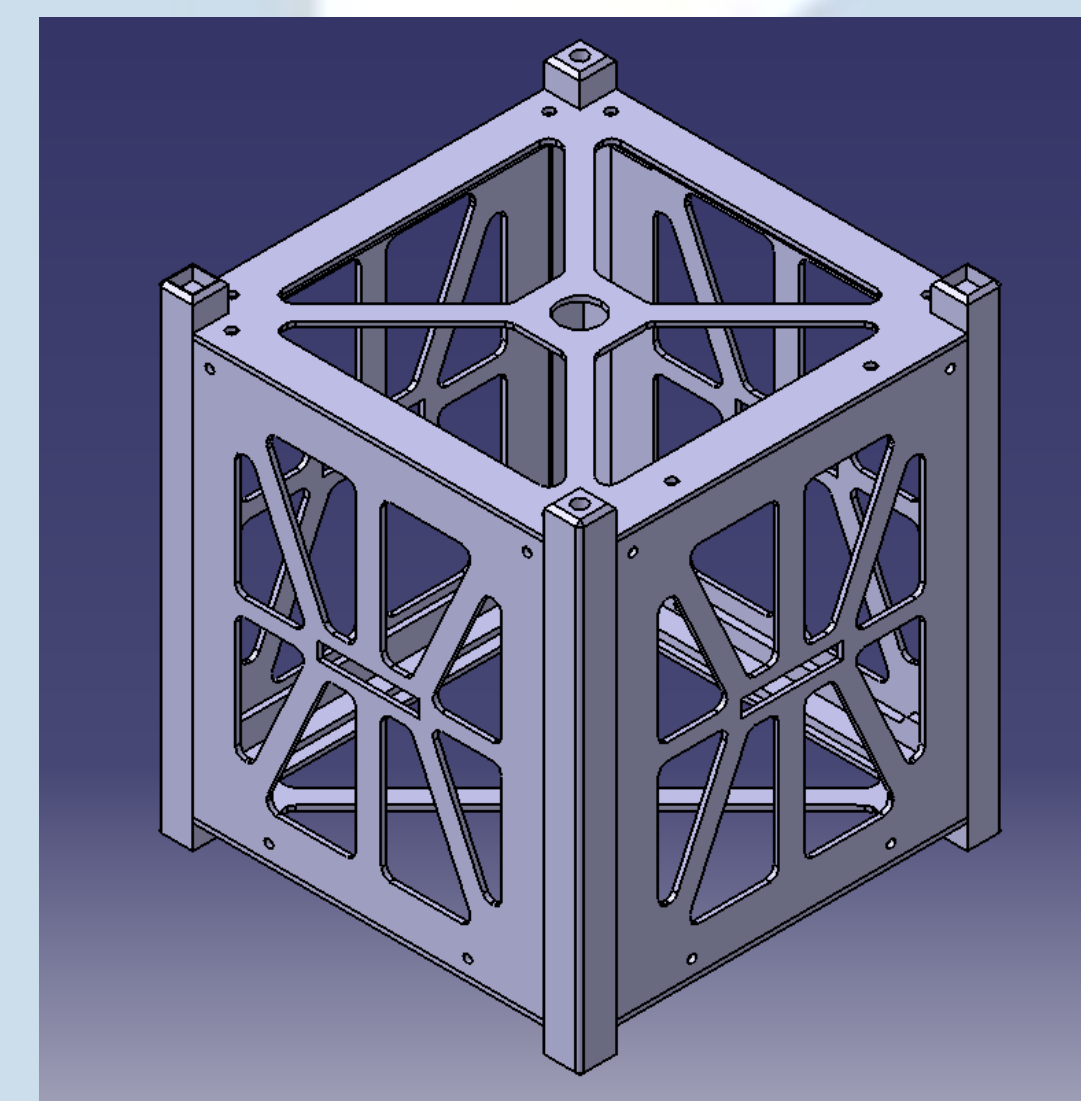
Revision 2 - Rails



Revision 2 – Cross Spar/Bracket



Revision 2 - Complete



Revision 2 - Challenges

1. Difficult to assemble
2. Bracket system was inefficient

Revision 3 - Goals

1. Make all screws mount externally
2. Simplify the brackets
3. Make the structure Pumpkin OBC compatible

Revision 3

