

Bohdan Zelinka

Groups and polar graphs

Časopis pro pěstování matematiky, Vol. 101 (1976), No. 1, 2--6

Persistent URL: <http://dml.cz/dmlcz/108694>

Terms of use:

© Institute of Mathematics AS CR, 1976

Institute of Mathematics of the Academy of Sciences of the Czech Republic provides access to digitized documents strictly for personal use. Each copy of any part of this document must contain these *Terms of use*.



This paper has been digitized, optimized for electronic delivery and stamped with digital signature within the project *DML-CZ: The Czech Digital Mathematics Library* <http://project.dml.cz>

GROUPS AND POLAR GRAPHS

BOHDAN ZELINKA, Liberec

(Received December 19, 1973)

In this paper the results of [2] will be transferred to polar graphs. A polar graph was defined by F. ZÍTEK [1] at the Czechoslovak Conference on Graph Theory at Štířín in May 1972. Their properties are studied in the papers [3]–[9].

A polar graph is an ordered quintuple $\langle V, E, P, \kappa, \lambda \rangle$, where V, E, P are sets, κ and λ are mappings of the set V and E respectively into the set of unordered pairs of distinct elements of P and the following conditions are satisfied:

- (1) For each $u \in V, v \in V, u \neq v$, we have $\kappa(u) \cap \kappa(v) = \emptyset$.
- (2) For each $e \in E, f \in E, e \neq f$, we have $\lambda(e) \neq \lambda(f)$.
- (3) For each $p \in P$ there exists $v \in V$ so that $p \in \kappa(v)$.

The elements of the sets V, E, P are called respectively vertices, edges and poles. If $p \in P, v \in V, p \in \kappa(v)$, we say that the pole p belongs to the vertex v . If $p \in P, e \in E$ and $p \in \lambda(e)$, we say that the edge e is incident with the pole p . If an edge e is incident with a pole p which belongs to a vertex v , we say that e is incident with v .

Let \mathfrak{G} be a group, A its subset. The polar graph $PG(\mathfrak{G}, A)$ is defined as follows: Its vertex set V is the support of \mathfrak{G} , its pole set P is the disjoint union of two sets P_1, P_2 such that there exist bijections $p_1 : \mathfrak{G} \rightarrow P_1$ and $p_2 : \mathfrak{G} \rightarrow P_2$. The edge set E of $PG(\mathfrak{G}, A)$ consists of the edges joining $p_1(x)$ with $p_2(y)$ for such x and y of \mathfrak{G} that $x^{-1}y \in A$. (An edge e joins two poles p_1, p_2 of a polar graph, if it is incident with both of them.)

This is an analogue of a directed graph studied in [2]. In that graph there was a directed edge from x into y if and only if $x^{-1}y \in A$.

A polar graph is called vertex-transitive, if and only if to any two vertices u, v of this graph there exists an automorphism φ of this graph such that $\varphi(u) = v$.

An isomorphism of a polar graph $G_1 = \langle V_1, E_1, P_1, \kappa_1, \lambda_1 \rangle$ onto a polar graph $G_2 = \langle V_2, E_2, P_2, \kappa_2, \lambda_2 \rangle$ is a one-to-one mapping $\varphi : V_1 \cup E_1 \cup P_1 \rightarrow V_2 \cup E_2 \cup P_2$ such that $\varphi(V_1) = V_2, \varphi(E_1) = E_2, \varphi(P_1) = P_2, \kappa_2 \varphi(v) = \varphi \kappa_1(v)$ for each $v \in V_1, \lambda_2 \varphi(e) = \varphi \lambda_1(e)$ for each $e \in E_1$. An isomorphism of a polar graph G onto itself is called an automorphism of G .

(For the vertex-transitive graph – in the non-polar case – in [2] we have used the term “symmetric”. Here we prefer the term “vertex-transitive”, because the term “symmetric graph” is used by other authors in different senses.)

Now we shall define a homogeneous polar graph in accordance with the similar concept for non-polar graphs. A polar graph G is called homogeneous if and only if the following conditions are satisfied:

(α) To any two poles p_1, p_2 of G there exists an automorphism φ of G such that $\varphi(p_1) = p_2$.

(β) For any pole p of G and any permutation π of the set of edges incident with p there exists an automorphism ψ_π of G such that $\psi_\pi(p) = p$ and the permutation π is induced by ψ_π .

It is easy to see that every homogeneous polar graph is also vertex-transitive.

Now we shall prove some theorems analogous to those of [2].

Theorem 1. *For every group \mathfrak{G} and any one of its subsets A the polar graph $PG(\mathfrak{G}, A)$ is vertex-transitive.*

Proof. If u, v are two vertices of $PG(\mathfrak{G}, A)$, we take a mapping $\varphi_{vu^{-1}}$ such that $\varphi_{vu^{-1}}(a) = vu^{-1}a$ for any $a \in \mathfrak{G}$; this is a one-to-one mapping, because \mathfrak{G} is a group. For the poles $p_1(a), p_2(a)$ of the vertex a we put $\varphi_{vu^{-1}}(p_1(a)) = p_1(vu^{-1}a)$, $\varphi_{vu^{-1}}(p_2(a)) = p_2(vu^{-1}a)$. Now the mapping $\varphi_{vu^{-1}}$ can be naturally extended also to the edges of $PG(\mathfrak{G}, A)$. If x, y are two vertices of $PG(\mathfrak{G}, A)$, then $p_1(x)$ and $p_2(y)$ are joined by an edge if and only if $x^{-1}y \in A$. The images of the poles $p_1(x), p_2(y)$ in $\varphi_{vu^{-1}}$ are $p_1(vu^{-1}x), p_2(vu^{-1}y)$. We have

$$(vu^{-1}x)^{-1}(vu^{-1}y) = x^{-1}uv^{-1}vu^{-1}y = x^{-1}y.$$

Thus the poles $\varphi_{vu^{-1}}(p_1(x)), \varphi_{vu^{-1}}(p_2(y))$ are joined by an edge if and only if $p_1(x), p_2(y)$ are joined by an edge. The pairs $p_1(x), p_1(y)$ or $p_2(x), p_2(y)$ are never joined by an edge. Therefore $\varphi_{uv^{-1}}$ is an automorphism of $PG(\mathfrak{G}, A)$. Further we have $\varphi_{uv^{-1}}(u) = v$. Therefore $PG(\mathfrak{G}, A)$ is vertex-transitive.

Theorem 2. *Let \mathfrak{G} be a group, A its subset. Let φ be an automorphism of the group \mathfrak{G} such that either $\varphi(A) = A$ or $\varphi(A) = \bar{A}$, where $\bar{A} = \{y \in \mathfrak{G} \mid y = x^{-1}, x \in A\}$. Then φ is induced on the vertex set of $PG(\mathfrak{G}, A)$ by an automorphism of $PG(\mathfrak{G}, A)$.*

Proof. Let $\varphi(A) = A$. Let x, y be two vertices of $PG(\mathfrak{G}, A)$. The poles $p_1(x), p_2(y)$ are joined by an edge if and only if $x^{-1}y \in A$. Let φ^* be a mapping such that $\varphi^*(v) = \varphi(v)$ for each $v \in V$, $\varphi^*(p_1(v)) = p_1(\varphi(v))$, $\varphi^*(p_2(v)) = p_2(\varphi(v))$. We have $[\varphi(x)]^{-1}\varphi(y) = \varphi(x^{-1}y)$, because φ is an automorphism of \mathfrak{G} . Thus the poles $p_1(\varphi(x)) = \varphi^*(p_1(x))$, $p_2(\varphi(y)) = \varphi^*(p_2(y))$ are joined by an edge if and only if $\varphi(x^{-1}y) \in A$. However, as $\varphi(A) = A$ and φ is one-to-one, this is so if and only if

$x^{-1}y \in A$, i.e., if $p_1(x)$ and $p_2(y)$ are joined by an edge in $PG(\mathfrak{G}, A)$. Therefore φ^* is an automorphism of $PG(\mathfrak{G}, A)$. Let $\varphi(A) = \bar{A}$. We have again $[\varphi(x)]^{-1} \varphi(y) = \varphi(x^{-1}y)$. Let φ^{**} be a mapping such that $\varphi^*(v) = \varphi(v)$ for each $v \in V$, $\varphi^{**}(p_1(v)) = p_2(\varphi(v))$, $\varphi^{**}(p_2(v)) = p_1(\varphi(v))$. The poles $\varphi^{**}(p_1(x)) = p_2(\varphi(x))$, $\varphi^{**}(p_2(y)) = p_1(\varphi(y))$ are joined by an edge if and only if $[\varphi(y)]^{-1} \varphi(x) \in A$. But $[\varphi(y)]^{-1} \cdot \varphi(x) = \varphi(y^{-1}x)$; this is in A if and only if $x^{-1}y \in \bar{A}$. Thus φ^{**} is an automorphism of $PG(\mathfrak{G}, A)$. Both φ^* and φ^{**} induce φ on the vertex set of $PG(\mathfrak{G}, A)$. (We have tacitly assumed that these mappings are naturally extended also onto the edge set.)

Theorem 3. *Let \mathfrak{G} be a group, A a system of its generators, $\bar{A} = \{y \in \mathfrak{G} \mid y = x^{-1}, x \in A\}$. Let any permutation of A be induced by an automorphism of \mathfrak{G} and let there exist an automorphism α of \mathfrak{G} such that $\alpha(A) = \bar{A}$. Then $PG(\mathfrak{G}, A)$ is a homogeneous polar graph.*

Proof. According to Theorem 1, to any two vertices x, y of $PG(\mathfrak{G}, A)$ there exists an automorphism φ of this graph such that $\varphi(x) = y$. In the proof of Theorem 1 we have constructed an automorphism such that $\varphi(p_1(x)) = p_1(y)$, $\varphi(p_2(x)) = p_2(y)$. Now let e be the unit element of \mathfrak{G} . The pole $p_1(e)$ is joined with the poles $p_2(a)$, where $a \in A$, and with no other poles, the pole $p_2(e)$ is joined with the poles $p_1(b)$, where $b \in \bar{A}$, and with no other poles. According to Theorem 2 the automorphism α of \mathfrak{G} is induced by the automorphism α^{**} of $PG(\mathfrak{G}, A)$ which is defined so that $\alpha^{**}(x) = \alpha(x)$, $\alpha^{**}(p_1(x)) = p_2(\alpha(x))$, $\alpha^{**}(p_2(x)) = p_1(\alpha(x))$ for each $x \in \mathfrak{G}$. We see that $\alpha^{**}(p_1(e)) = p_2(e)$, $\alpha^{**}(p_2(e)) = p_1(e)$. Now if we have two poles $p_1(x), p_2(y)$, the former is mapped onto the latter by the automorphism $\varphi_{y_i}^* \alpha^{**} \varphi_{x^{-1}}^*$, where $\varphi_y^*(p_i(u)) = p_i(yu)$, $\varphi_{x^{-1}}^*(p_i(u)) = p_i(x^{-1}u)$ for each $u \in \mathfrak{G}$ and i equal to 1 or 2. Thus the condition (α) is proved. To any permutation π of the set of edges incident with $p_1(e)$ there corresponds in a one-to-one manner a permutation π' of A ; for any $a \in A$ the element $\pi'(a)$ is the end vertex of the edge $\pi(h)$ which is in A , where h joins $p_1(e)$ and $p_2(a)$. Each π' is induced by an automorphism ψ_π of \mathfrak{G} (according to the assumption) and this automorphism is induced by an automorphism ψ_π^* of $PG(\mathfrak{G}, A)$ (according to Theorem 2). Thus (β) holds for $p_1(e)$. Now let $x \in \mathfrak{G}$, let $p_i(x)$ be a pole of x , where $i = 1$ or $i = 2$. Let β be an automorphism of $PG(\mathfrak{G}, A)$ which maps $p_i(x)$ onto $p_1(e)$; its existence was proved above. Let ϱ be a permutation of the set of edges incident with $p_i(x)$. The mapping $\beta \varrho \beta^{-1}$ is a permutation of the set of edges incident with $p_1(e)$. To this permutation there exists an automorphism γ of $PG(\mathfrak{G}, A)$ inducing it. Then $\beta^{-1} \gamma \beta$ is the required automorphism for ϱ .

Theorem 4. *Let \mathfrak{G} be an Abelian group, A a system of its generators. Let any permutation of A be induced by an automorphism of \mathfrak{G} . Then $PG(\mathfrak{G}, A)$ is a homogeneous polar graph.*

Proof. As \mathfrak{G} is Abelian, there exists an automorphism α of \mathfrak{G} such that $\alpha(x) = x^{-1}$ for any $x \in \mathfrak{G}$. This automorphism maps A onto \bar{A} . Therefore according to Theorem 3 the graph $PG(\mathfrak{G}, A)$ is a homogeneous polar graph.

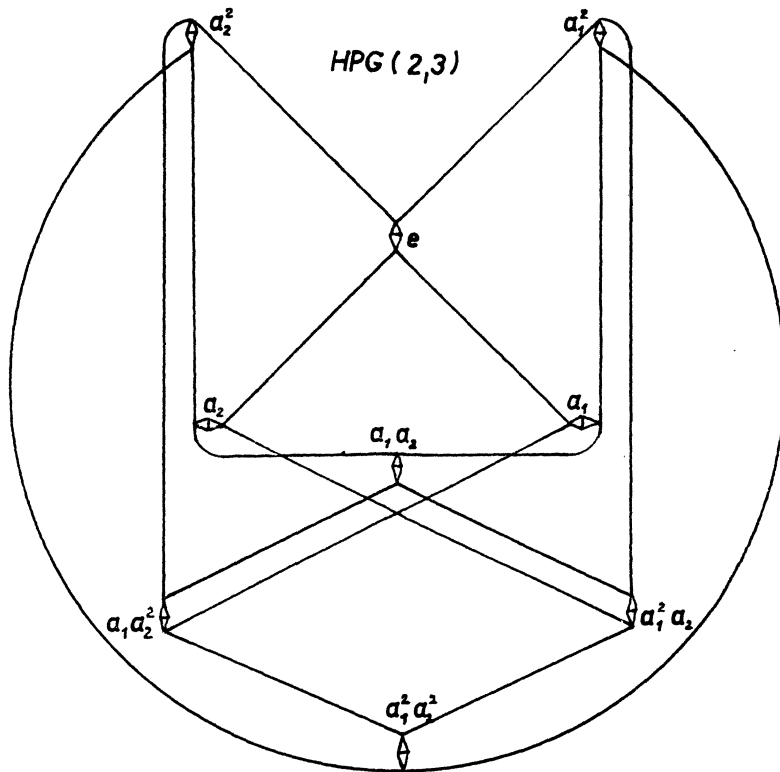
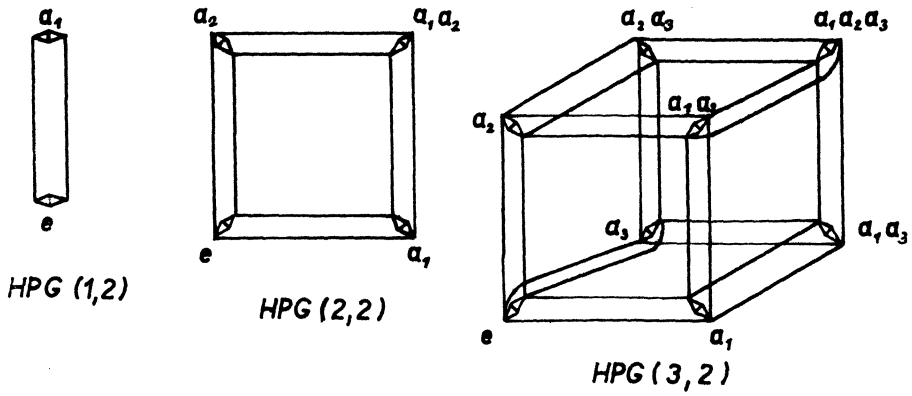


Fig. 1.

Analogously as in [2] we shall construct a certain class of homogeneous polar graphs. Let $\mathfrak{A}_1, \dots, \mathfrak{A}_k$ be cyclic groups of the same order r , let a_i be the generator of \mathfrak{A}_i for $i = 1, \dots, k$. Let \mathfrak{G} be the direct product of $\mathfrak{A}_1, \dots, \mathfrak{A}_k$, let $A = \{a_1, \dots, a_k\}$. The graph $PG(\mathfrak{G}, A)$ is evidently homogeneous and we denote it by $HPG(k, r)$. We have obviously $r \geq 2$. Some of these graphs are in Fig. 1. They can be generalized

also to the case when k is an infinite cardinal number or $r = \aleph_0$. The graph $HPG(2, \aleph_0)$ is in Fig. 2. A vertex is drawn as a magnetic needle; the poles of this needle are the poles of the vertex.

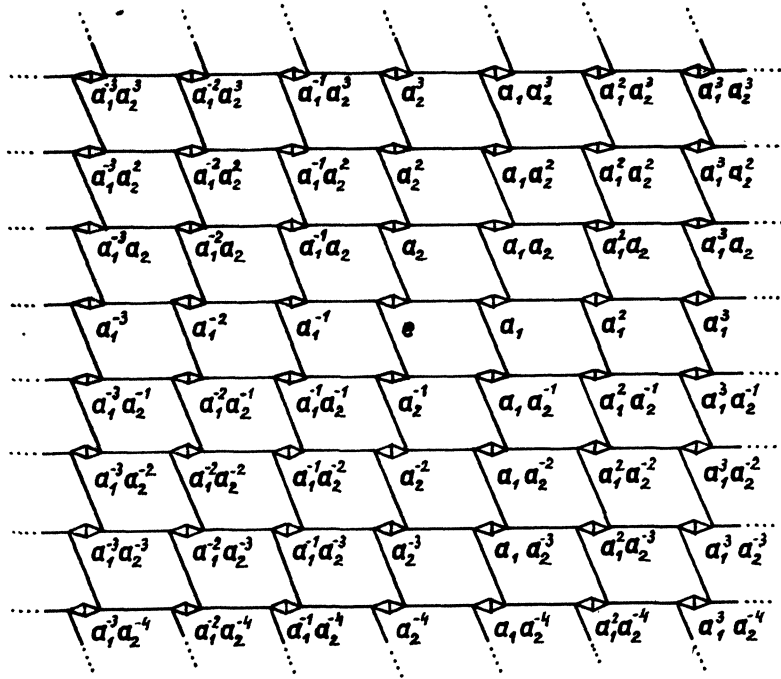


Fig. 2.

References

- [1] F. Zítek: Polarizované grafy. (Polarized graphs.) Lecture at the Czechoslovak Conference on Graph Theory at Štířín in May 1972.
- [2] B. Zelinka: Groups and homogeneous graphs. Czech. Math. J. 21 (1971), 653—660.
- [3] B. Zelinka: Isomorphisms of polar and polarized graphs. Czech. Math. J. (to appear).
- [4] B. Zelinka: Analoga of Menger's theorem for polar and polarized graphs. Czech. Math. J. (to appear).
- [5] B. Zelinka: Eulerian polar graphs. Czech. Math. J. (to appear).
- [6] B. Zelinka: Polarization of graphs. Czech. Math. J. (to appear).
- [7] B. Zelinka: Selbstkomplementäre polare und polarisierte Graphen. Czech. Math. J. (to appear).
- [8] B. Zelinka: Self-derived polar graphs. Czech. Math. J. (to appear).
- [9] B. Zelinka: Polar graphs and railway traffic. Aplikace mat. 19 (1974), 169—176.

Author's address: 460 01 Liberec 1, Komenského 2 (Katedra matematiky Vysoké školy strojní a textilní).