

## Second Millennium Site Distribution and Pottery of Inland Northwestern Anatolia

Turan Efe and Bérengère Perello

---



**Electronic version**

URL: <http://journals.openedition.org/anatoliaantiqua/371>

**Publisher**

IFEA

**Printed version**

Date of publication: 1 May 2016

Number of pages: 35-89

ISBN: 9782362450648

ISSN: 1018-1946

**Electronic reference**

Turan Efe and Bérengère Perello, « Second Millennium Site Distribution and Pottery of Inland Northwestern Anatolia », *Anatolia Antiqua* [Online], XXIV | 2016, Online since 11 December 2018, connection on 01 May 2019. URL : <http://journals.openedition.org/anatoliaantiqua/371>

---

**ANATOLIA ANTIQUA  
ESKİ ANADOLU**

**XXIV**



**INSTITUT FRANÇAIS D'ETUDES ANATOLIENNES GEORGES-DUMEZIL  
CNRS USR 3131  
DE BOCCARD  
2016**

## TABLE DES MATIERES

Ergul KODAS, Le surmodelage du crâne au Néolithique au Proche-Orient : techniques de surmodelage et expérimentations .....	1
Isabella CANEVA et Eric JEAN, Mersin-Yumuktepe : une mise au point sur les derniers travaux .....	13
Turan EFE et Bérengère PERELLO, Second Millenium site distribution and pottery of Inland Northwestern Anatolia .....	35
Antoine PEREZ, Amida 6 : Antiochos IV, le "Hanigalbat" et la Sophène .....	91
Ergün LAFLI et Hadrien BRU, Inscriptions et monuments funéraires gréco-romains d'Anatolie occidentale .....	103
Oğuz TEKİN et Aliye EROL-ÖZDİZBAY, Coins from Allianoi excavations: Campaign of 2001 .....	117
Nuran ŞAHİN, Etude iconographique des monnaies autonomes frappées par Colophon-sur-Mer : nouveaux acquis .....	147
Vera SAUER, Konventionelle Individualität. Zur Münzprägung nordanatolischer Städte in der römischen Kaiserzeit .....	163
Oğuz TEKİN, Balance weights in the collection of the Anatolian Civilizations Museum in Ankara .....	211
<b>CHRONIQUES DES TRAVAUX ARCHEOLOGIQUES EN TURQUIE 2015</b>	
Çiğdem MANER, Preliminary report on the third season of the Konya-Ereğli Survey (KEYAR) 2015 .....	225
Dominique BEYER, Isabelle CHALIER et Françoise KIRNER, Rapport préliminaire sur les travaux de la mission archéologique de Zeyve Höyük-Porsuk 2015 .....	253
Sami PATACI et Ergün LAFLI, Field surveys in Ardahan in 2015 .....	281
Jean-Charles MORETTI avec la collaboration de Nicolas BRESCH, Isabel BONORA, Jean-Jacques MALMARY et Olivier RISS, Claros, le temple d'Apollon : travaux réalisés en 2015 .....	299
Serdar Hakan ÖZTANER, La basilique civile de Nysa du Méandre .....	311
Abuzer KIZIL, Koray KONUK, Patrice BRUN, Laurent CAPDETREY, Raymond DESCAT, Pierre FROHLICH, Didier LAROCHE, Enora LE QUERE, Francis PROST, Baptiste VERGNAUD, Eurômos : rapport préliminaire sur les travaux réalisés en 2015 .....	321
O. HENRY et E. ANDERSON, Chr. BOST, Ö. ÇAKMAKLI, F. CEDERLING, A. COMMITO, M. CORMIER-HUGUET, A. COUTELAS, A. DOLEA, D. ERGENÇ, A. FRECCERO, A. FREJMAN, P. LEBOUTEILLER, F. LESGUER, D. LÖWENBORG, V. LUNGU, Fr. MARCHAND-BEAULIEU, A. SITZ, P. DE STAEBLER, B. VERGNAUD, Labraunda 2015 .....	339

Turan EFE\* et Bérengère PERELLO\*\*

## SECOND MILLENNIUM SITE DISTRIBUTION AND POTTERY OF INLAND NORTHWESTERN ANATOLIA

### INTRODUCTION

Until the nineteen-sixties, our limited knowledge of the distribution of prehistoric sites in inland northwestern Anatolia was mainly based on the surface surveys carried out by K. Kökten, C. Burney<sup>1</sup> and K. Bittel<sup>2</sup>. The surveys in İznik-İnegöl areas by D. French<sup>3</sup> (1960-1961, 1965-1966) and J. Cullberg (1964-65) has provided the first preliminary site distribution and material evidence concerning the region. Much later, between the years 1988-1995, T. Efe conducted surface surveys in the Kütahya, Bilecik and Eskişehir provinces<sup>4</sup> (Fig. 1) which not only better clarified the site distribution and improved the chronological framework of the region, but also better defined the borders of what he called “cultural regions” and “pottery zones”<sup>5</sup>.

During the survey, sites ranging from the Neolithic up to the Classical Period had been identified. Annual reports of the survey appeared in “*Araştırma Sonuçları Toplantısı*”<sup>6</sup>. The survey material from the Neolithic/Chalcolithic periods and Early Bronze Age had already been partially published<sup>7</sup>. This time we introduce here the Second Millennium sites visited and the pottery collected from their surface during the survey. We have to keep in mind that we are dealing here with surface material which means

that we won't be able to clarify the chronological framework as well as the statistical evaluation of wares and forms. However, this article aims to provide new information on the site distribution and the pottery characteristics of this poorly known area of inland northwestern Anatolia in terms of the second Millennium B.C. Eighty-nine sites in total have been taken into consideration. Although the area around Hamam Karahisar to the east of the Sivrihisar mountain range was part of the survey area, it has not been included here<sup>8</sup>.

The chronology of the second Millennium pottery of the region has not so far been satisfactorily established. This is mainly due to the absence of an excavation which yields an uninterrupted sequence of the Second Millennium B.C. The Second Millennium settlement of Demircihüyük consisting of four habitation levels is dated to the second half of the Middle Bronze Age<sup>9</sup>. Although a Middle Bronze Age settlement with three habitation levels was completely excavated at Seyitömer no detailed analyses of pottery has so far appeared<sup>10</sup>. The Late Bronze Age remains have been excavated only in a very limited area at Şarhöyük near Eskişehir<sup>11</sup>. Likewise, the pottery has not yet been introduced to the literature. Three MBA cemeteries have been excavated in the region: Çavlum<sup>12</sup>, Yanarlar<sup>13</sup> and Dedemezari<sup>14</sup>.

\*) Bilecik University, Department of Archaeology, Turkey.

\*\*) CNRS, Archéorient UMR 5133 Lyon, France.

1) Burney 1956.

2) Surface material collected by K. Bittel was later published by J. Mellaart (Mellaart 1955).

3) French 1961; 1967; 1969

4) The project was supported by the Istanbul University Research Fund and the American Research Institute in Turkey/ARIT (for the 1981 season). Our sincere thanks go to the authorities of these institutions.

5) Efe 2003.

6) Efe 1990c; 1991; 1992; 1993b; 1994b; 1995; 1996a; 1996b; 1997.

7) Efe 1990a; 1993a; 1994a; 1994c.

8) For the Second Millennium pottery of the area see: Sarı 2013.

9) Kull 1988.

10) Bilgen 2013; Bilgen and Bilgen 2015.

11) Darga 2004.

12) Bilgen 2005.

13) Emre 1978.

14) Üyümez *et al.* 2007.

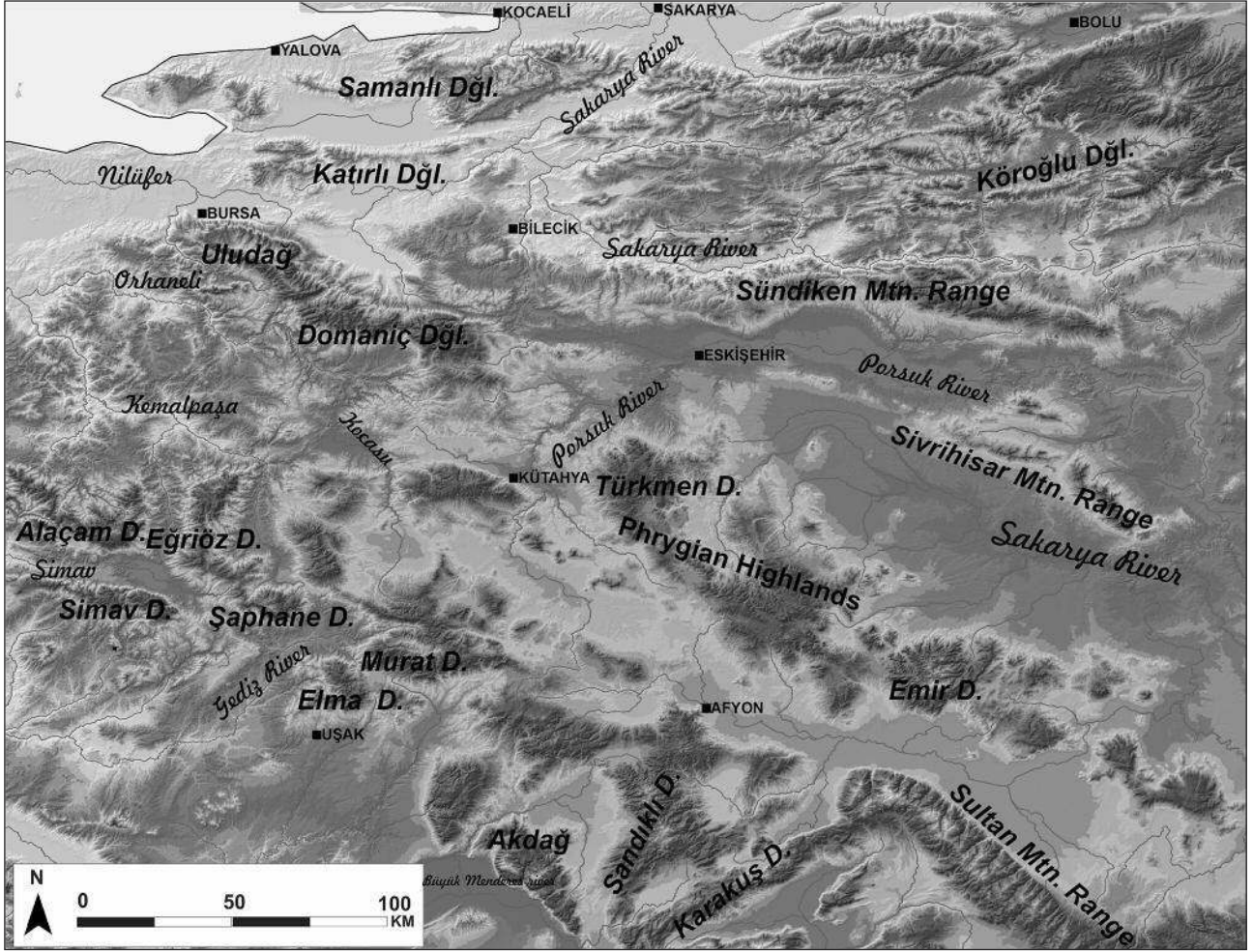


Fig. 1 : Geographical Map of Inland Northwestern Anatolia and immediate surroundings.

Çavlum lies in the Alpu Plain to the east of Eskişehir and the last two cemeteries are situated in the Afyon plain which remains outside the survey area. For the reasons cited above, it has not been possible to give a detailed analysis and chronological evaluation of the survey pottery in terms of the Middle and Late Bronze ages.

### GEOGRAPHICAL FRAMEWORK

The survey area encompassing *ca.* 150 km<sup>2</sup> covers the most northwestern extremity of Central Anatolian Plateau (Upper Sakarya and Eskişehir plains), central part of Inland Western Anatolian Plateau or Threshold (the area covering roughly the Kütahya province) and the Eastern Marmara Region (Bilecik province). The area is an important buffer zone for the connections between inland Anatolia and the Marmara basin and beyond.

The Upper Sakarya and Eskişehir plains are bounded by the Sivrihisar mountain range and

Emirdağ from the east and south. Südüken mountain range, on the other hand, runs east-west enclosing the Eskişehir plains from the north. The Inland Western Anatolian Plateau (Threshold) with two or three rows of mountains running in a SE-NW direction, extends between the Lakes District and the Susurluk Valley (South Marmara region) and separates the Central Anatolian Plateau from the Aegean coastline. These are not mountain ranges, instead they are series of mountains in rows. They are separated from each other by lowlands. From east to west, we have Emirdağ, Türkmen Dağı, Yirce Dağları, Domaniç and finally Uludağ forming the westernmost range of mountains. Between Emirdağ and Türkmen Dağı are situated Phrygian Highlands. Immediately to the west of this row are located the plains of Afyon, Altıntaş, Örencik and Tavşanlı-Kütahya. Therefore, this mountainous range separates these plains from those of Upper Sakarya and Eskişehir. The second row of mountains, on the

other hand, is formed, from east to west, by the Sandıklı mountains, Ahır Dağı, Murat Dağı, Şaphane Dağı, Eğrigöz and Akdağ<sup>15</sup>. The survey area in this region covers only roughly the province of Kütahya (the Altıntaş-Örencik, Tavşanlı-Kütahya plains and its immediate surroundings, as well as Emet and Simav regions). No prehistoric settlement has been discovered around Simav. The Upper Sakarya and Eskişehir plains as well as the Altıntaş plain (south of Kütahya) are watered by the Sakarya river and its tributary, the Porsuk.

The Bilecik province situated between Central Anatolia and the Marmara basin is comprised of rough terrain which forms the western extremity of the Koroğlu mountain range to the north of the Sündüken Dağları. The area forms a buffer-zone between the Eskişehir and İznik-İnegöl plains. After the pass at Bozüyük, the Karasu river valley leads the traffic northward into the Bilecik, Osmaneli and Gölpaşarı areas. The communication between this valley and the İnegöl plain seems to have been provided by way of the Pazaryeri plain to the west. Pazaryeri and Gölpaşarı are the only plains in the

area worth mentioning. The paucity of land suitable for cultivation is most likely the main reason why the area was not densely settled during the Bronze Ages.

The plains and natural passes along the river valleys provide traffic within Inland Western Anatolia, as well as with the neighbouring regions. Routes from the Konya Plain, both to the east and the west of the Phrygian Highlands converge in the Eskişehir Plain; the eastern route passes between the Sultan Dağları and the Emirdağ via Akşehir and Bolvadin, and subsequently through Emirdağ and Çifteler into the plain of Eskişehir; the western route northward through Afyon and Kütahya then follows the Upper Porsuk Valley into the western part of the plain. Mellaart points out that one alternative route exists leading from Tavşanlı northward over Domaniç mountain directly onto the İnegöl plain<sup>16</sup>. The traffic with the Aegean coastline, on the other hand, is somewhat facilitated by the river valleys and narrow plains along Büyük Menderes (the Meander) and the Gediz (Hermus) running in an east-west direction.

## CATALOGUE OF THE SURVEYED SITES

The sites and the pottery are introduced in five cultural/geographical areas, according to the topography and clusters that the Second Millennium sites form:

I - Upper Sakarya Plains and the Phrygian Highlands

II - Upper Porsuk Valley and the Eskişehir Plains

III- Northern part of the Kütahya province (The Areas of Kütahya-Tavşanlı, Seyitömer and Domaniç)

IV- Southern part of the Kütahya province (the Altıntaş, Örencik and Emet areas)

V- The Bilecik Province

In this part, we will briefly introduce each site.

### Upper Sakarya Plains and the Phrygian Highlands

In this area, twenty seven sites have been visited.

#### *Aşağı Kepen/Büyük Höyük (1)*

**Location:** 6.5 km SW of Sivrihisar; the immediate west of Aşağı Kepen village. It is on a natural hillock. The eastern part is destroyed by the Sivrisar-Emirdağ road.

**Dimensions:** Oval mound. Length: 400 m; Width: 350 m; Area: ca. 10 ha (cat. 1).

**Comment:** The cultural deposit is not thick; the cone of the hill might not be occupied at all.

**Bibliography:** Efe 1996a: 140 (Site 190).

#### *Kızılcaköy (2)*

**Location:** Situated 24 km in the East of Çifteler; 150 m to the north from the Sakarya river.

**Dimensions:** Oval mound. Length: ca. 250 m; Width: ca. 170 m; Area: 3 ha (cat. 3); Height: ca. 7.5 m.

**Pottery:** n° 167

**Bibliography:** Efe 1996a: (Site 188).

#### *Bahçecik II / Sivrihisar (3)*

**Location:** 15 km NW of Sivrihisar; 700 m south of the Bahçecik village and 150 m to the north of the Dedemözü stream.

**Description:** Low mound.

**Dimensions:** Diameter: ca. 75 m; Area: ca. 0.5 ha (cat. 4); Height: ca. 3m.

**Bibliography:** Efe 1996a: 139 (Site 186).

#### *İlcabaşı II (4)*

**Location:** SE of Eskişehir and SW of Çifteler, 3 km NE of İlcabaşı village; 500 m to the west of the stream.

15) Darkot and Tuncel 1978: 17-19.

16) Mellaart 1967: 4.

**Dimensions:** Diameter: *ca.* 200 m; Area: *ca.* 3 ha (cat. 3); Height: *ca.* 4 m.

**Pottery:** n° 184.

**Bibliography:** Efe 1996a: 143 (Site 204).

*Hamitli Höyük (5)*

**Location:** 15 km west of Çifteler; 350 m east of Orhaniye village; 250 m to the right of the road leading to the village.

**Dimensions:** Diameter: *ca.* 210 m; Area: *ca.* 3.5 ha (cat. 3); Height: *ca.* 7 m.

**Bibliography:** Efe 1996a: 142 (Site 202).

*Çayır Höyük (6)*

**Location:** West of Çifteler, 2.5 km in the NE of Hayriye village. A small stream runs along the west and SW edge of the mound.

**Dimensions:** Diameter: *ca.* 140 m; Area: *ca.* 1.5 ha (cat. 3); Height: *ca.* 8 m.

**Pottery:** n° 105, 166.

**Bibliography:** Efe 1996a: 142 (Site 201).

*Kurtlar Höyük (7)*

**Location:** Located on the western part of Sivrihisar mountain range; 1.7 km east of Balçıkhisar village and 300 m to the south of the Balçıkhisar-Beylikova road. The surface of the mound gently slopes down to the south.

**Dimensions:** Diameter: *ca.* 200 m; Area: *ca.* 3 ha (cat. 3); Height: *ca.* 10 m.

**Pottery:** n° 242

**Bibliography:** Efe 1996a: 136 (Site 169).

*Külhüyük (8)*

**Location:** 11 km south of Alpu and 3 km east of the Işıkören village.

**Dimensions:** Roughly circular mound. Diameter: *ca.* 200 m; Area: *ca.* 3 ha (cat. 3); Height: *ca.* 8 m.

**Pottery:** n° 121, 208

**Bibliography:** Efe 1996a: 135 (Site 135).

*Akyurt (9)*

**Location:** Immediately to the SE of Akyurt village.

**Dimensions:** Length: *ca.* 190 m; Area: *ca.* 3 ha (cat. 3); Height: *ca.* 7 m.

**Bibliography:** Efe 1996a: 136 (Site 166).

*Hamidiye I (10)*

**Location:** 40 km SE of Eskişehir; 800 m NW of Hamidiye; on the right side of the road to Hamidiye.

**Dimensions:** Diameter: *ca.* 200 m; Area: *ca.* 3 ha (cat. 3); Height: *ca.* 12 m.

**Bibliography:** Efe 1996a: 137 (Site 174).

*Arapören (11)*

**Location:** Located 17 km NE of Seyitgazi; 2 km NE of Doğançayır (Arapören) and 200 m east of Seyitsuyu.

**Dimensions:** Diameter: *ca.* 110 m; Area: *ca.* 1 ha (cat. 3); Height: *ca.* 8 m.

**Bibliography:** Efe 1996a: 137 (Site 173)

*Katırkulesi (12)*

**Location:** Located 11.5 km NE of Seyitgazi; 3.5 km SW of Doğançayır and 300 m east of Seyitsuyu.

**Dimensions:** Diameter: 250 m; Area: 5 ha (cat. 2); Height: 13 m.

**Bibliography:** Efe 1996a: 137 (Site 172).

*Güllühöyük (13)*

**Location:** 2.2 km NE of the modern Village of Güllüce; 4.5 km NE of Küllüoba; just to the north of the canal. Disturbance pits all over the surface.

**Dimensions:** It is a low mound. The outer limits of the mound is not easy to determine. Diameter: 330 m; Area: 4 ha (cat. 2).

**Pottery:** n° 13, 49, 76, 113, 168, 231

**Bibliography:** Efe 1995: 251 (Site 131), ill. 4.

*Suluhöyük (14)*

**Location:** East of Eskişehir; 3800 m SE of Türkmentokat and 1250 m to the north from the Eskişehir-Ankara road. Marshy area to the south.

**Description:** There is a round higher mound in the east with long terracing to the west.

**Dimensions:** Length: 280 m; Area: *ca.* 2 ha (cat. 2).

**Pottery:** n° 142

**Bibliography:** Efe 1995: 252 (Site 135).

*İmişehir (15)*

**Location:** 22 km east of Eskişehir, 1900 m north of the Eskişehir-Ankara road and on the western edge of İmişehir village. There is a modern cemetery on the mound.

**Dimensions:** Diameter: 96 m; Area: 0.7 ha (cat. 4); Height: *ca.* 10 m.

**Bibliography:** Efe 1995: 252 (Site 133).

*Toraman Höyük (16)*

**Location:** Located in the SW of Eskişehir, between the villages Kravdan and Kalkanlı; 2.5 km west of Kalkanlı. Additional settlement remains on the rocky platform to the south.

**Dimensions:** It is an oval mound. Length: *ca.* 260 m; Width: 150 m; Area: 3.5 ha (cat. 3); Height: 12 m.

**Pottery:** n° 142

**Bibliography:** Efe 1995: 250 (Site 127).

*Alpanoz (17)*

**Location:** 13 km north of Seyitgazi; 1.5 km east of Sarayönü (Alpanoz); 1 km east of Eskişehir-Seyitgazi road.

**Dimensions:** Diameter: 120 m; Area: 1 ha (cat. 3); Height: 5 m.

**Bibliography:** Efe 1995: 249 (Site 119)

*Soğulcak (18)*

**Location:** 6.6 km SE of Seyitgazi; 1400 m east of Soğulcak village; next to the left side of the Soğulcak-Beykışla road; between the two small streams.

**Dimensions:** Length: 120 m; Area: 1 ha (cat. 3); Height: 11 m.

**Bibliography:** Efe 1997: 216-217 (Site 209), ill. 6 (ware).

*Küllühöyük (Seyitgazi) (19)*

**Location:** Southeast of Eskişehir; on the western edge of the town of Seyitgazi.

**Dimensions:** Length: 150 m; Area: 1.5 ha (cat. 3); Height: 3 m.

**Pottery:** n° 20, 22, 64, 99, 115, 129, 126, 240

**Bibliography:** Efe 1994: 249 (Site 122).

*Eğriova Höyüğü (20)*

**Location:** 15.4 km south of Seyitgazi; 1200 m east of the Şükranlı-Sarıcaılyas road and just besides and north of Eğriova stream.

**Dimensions:** Diameter: 85 m; Area: 0.5 ha (cat. 4); Height: 6 m.

**Bibliography:** Efe 1997: 217 (Site 212).

*Kulapa Höyük (21)*

**Location:** Situated 1.5 km SW of the Kulapa village.

**Dimensions:** Diameter: ca. 240 m; Area: 4.5 ha (cat. 3); Height: 9 m.

**Bibliography:** Efe 1997: 217 (Site 211).

*Akın Höyük (22)*

**Location:** South of Eskişehir; southwest of Seyitgazi; 500 m SE of the Akın village.

**Dimensions:** Diameter: 120 m; Area: 1 ha (cat. 3).

**Pottery:** n° 236

**Bibliography:** Efe 1997: 218 (site 217).

*Sübren (23)*

**Location:** 14 km south of Eskişehir; on the eastern edge of the Sübren village. There is a modern cemetery on the mound.

**Dimensions:** An oval mound. Length: ca. 230 m; Width: 120 m; Area: 2 ha (cat. 3); Height: 12 m.

**Bibliography:** Efe 1997: 219 (Site 219).

*Karapazar (24)*

**Location:** 18 km south of Eskişehir; 1 km west of Karapazar village; a small stream runs past from the north.

**Dimensions:** It is comprised of a conical high mound and a lower settlement (Fig. 2a). Diameter of the cone ca. 200 m; Area: 3 ha (cat. 3); Height: 25 m. The lower settlement measures ca. 150 m in diameter reaching as far as the road to the south. The dating of the lower settlement is not certain.

**Bibliography:** Efe 1995, ill. 4, 5 (Site 111).

*Kurupınar/Avdan (25)*

**Location:** 22 km south of Eskişehir; 720 m south of Avdan village and on the immediate left side of Avdan-Ayvacak road.

**Dimensions:** Diameter: 75 m; Area: 0.5 ha (cat. 4); Height: 9.5 m.

**Bibliography:** Efe 1995 (Site 110).

*Sandıközü (26)*

**Location:** Located to the south of Eskişehir, on the outskirts of Türkmen Dağı; to the immediate east of Sandıközü village, right before entering the village and on a natural hill.

**Dimensions:** Diameter: 190 m; Area: 3 ha (cat. 3); Height: 11 m.

**Bibliography:** Efe 1995: 246 (Site 109).

*Kayabaşı/İnli (27)*

**Location:** 10 km SW of Sabuncupınar in Upper Porsuk Valley; just on the right, before entering the village.

**Dimensions:** Flat settlement both on the rocky platform and the field immediately to the west. Diameter: less than 100 m; Area: 0.5 ha (cat. 4).

**Bibliography:** Efe 1990b: 408 (Site 12).

**Upper Porsuk Valley and the Eskişehir Plains**

This area presents thirty sites with deposits belonging to the second millennium.

*Yalınlı (28)*

**Location:** East of Eskişehir, in the east of Alpu Plain; between the Porsuk river and the railway.

**Dimensions:** Diameter: 75 m; Area: 0.5 ha (cat. 4); Height: 4.5 m.

**Pottery:** n° 34, 151

**Bibliography:** Efe 1997: 219 (site 221)

*Toğray Höyük (29)*

**Location:** Located in the eastern part of the Alpu plain; 1800 m NE of Doğray, between the Eski Porsuk river and the canal; 100 m to the east of the Doğray-Mahmure road.





a



b



c



d



e

**Fig. 2 : a. Karapazar (Google map) ; b. Yakakayı (Google map) ; c. Porsuk II, from the south ; d. Tavşanlı, from the north. The flat area to the left is lower settlement ; e. Yeşildon, from the southeast.**

**Dimensions:** Diameter: 170 m; Area: 2 ha (cat. 3); Height: 4.5 m.

**Bibliography:** Efe 1997 (Site 220).

*Porsuk II (30)*

**Location:** Situated 3 km north of Koşmat village and 1300 m to the east of Esence village; on the southern bank of the Porsuk river.

**Dimensions:** This is one of the largest mound known in the Eskişehir area (cat. 1). However, it is not clear if the Second Millennium site spread on the whole surface of the mound (Fig. 2c). Slightly oval mound: Length: 650 m; width: 450 m. Area: ca. 28 ha (cat. 1); Height: 8 m.

**Bibliography:** Efe 1997: 220 (Site 224), ill. 10 (mound's view from the south).

*Büyük Höyük/Bozan (31)*

**Location:** Located in the eastern part of Alpu plain; 3 km south of the Bozan village. A stream runs past from the east.

**Dimensions:** Diameter: 160 m; Area: 2 ha (cat. 3); Height: 15 m.

**Bibliography:** Efe 1996a: 134 (Site 162).

*Yeşildon (32)*

**Location:** Located in the Alpu plain; 2 km SE of the Yeşildon village.

**Dimensions:** Circular mound associated with a long terrace to the east (Fig. 2e). Length (terrace included): 250 m; Area: 5 ha (cat. 2); Height of the cone: 8 m.

**Bibliography:** Efe 1996a: 134 (Site 160), ill. 7 (a view from the mound).

*Köprübaşı Höyüğü (33)*

**Location:** East of Eskişehir, in the Alpu plain; 4 km east of Alpu; 50 m from the Porsuk river. The top of the mound is almost completely removed.

**Dimensions:** Diameter: 90 m; Area: 0.7 ha; Height: 3 m.

**Pottery:** n° 148, 210

**Bibliography:** Efe 1996b: 134 (Site 159), ill. 6.

*Kaynakobası (34)*

**Location:** Located 5.5 km SE of Alpu; on the immediate right side of the road from Aktepe village to Güneli. Copious spring 400 m to the SE.

**Dimensions:** Diameter: 150 m; Area: 2 ha (cat. 3); Height: 13 m.

**Bibliography:** Efe 1996a: 135 (Site 163).

*Doğancı (35)*

**Location:** East of Eskişehir, in the Alpu plain; 4.5 km NE of Alpu. 400 m to the east of the road from Alpu to Çerkez Çukurhisar.

**Dimensions:** A nice circular mound. Diameter: 160 m; Area: 2 ha (cat. 3); Height: 16 m.

**Bibliography:** Efe 1996a: 134 (Site 156).

*Çukurhisar II/Alpu (36)*

**Location:** East of Eskişehir, in the Alpu plain; immediately SW of the modern village of Çerkez Çukurhisar. Modern pits and ditches on the surface.

**Dimensions:** Diameter: 165 m; Area: 2 ha (cat. 3); Height: 13 m.

**Pottery:** n° 46, 50, 77, 93, 116, 150

**Bibliography:** Efe 1996a: 134 (Site 155).

*Osmaniye/ Alpu (37)*

**Location:** East of Eskişehir, in the Alpu plain; 500 m north of the Osmaniye Village.

**Dimensions:** Low mound with a terrace on the east reaching as far as the stream. Diameter: 100 m; Area: 2 ha (cat. 3); Height: 7.5 m.

**Pottery:** n° 128

**Bibliography:** Efe 1996a: 133 (Site 152).

*Bahçecik I/Küçük Çayır Höyük (38)*

**Location:** East of Eskişehir, in the Alpu plain; 4 km to the west of Bahçecik village.

**Dimensions:** Diameter: 100 m; Area: 1 ha (cat. 3); Height: 7.5 m.

**Pottery:** n° 68, 160, 169, 207

**Bibliography:** Efe 1996: (Site 148).

*Karahüyük /Midaion (39)*

**Location:** Located 28 km east of Eskişehir, in the Alpu plain; 9 km SW of Alpu and 8.5 km SE of Karahüyük village; 300 m north of the Eskişehir-Alpu road.

**Dimensions:** Second larger mound of the Alpu plain. Diameter: 500 m; Area: 20 ha (cat. 1); Height: 14 m.

**Bibliography:** Efe 1996: (Site 149); Bilgen 2006 (with a topographic plan of the site); Bilgen 2007: ill. 1-3.

*Yakakayı (40)*

**Location:** One of the largest mounds of the Alpu plain in the east of Eskişehir; 2.8 km SE of Kızılcaören village.

**Dimensions:** There is a cone in the middle measuring ca. 200 x 110 m (Fig. 2b). Diameter (together with lower settlement): 350 m; Area: 10 ha (cat. 1); Height: 15 m.

**Pottery:** n° 52, 89, 114, 146, 170, 235

**Bibliography:** Efe 1996: 132 (site 145).

*Kızlar Höyük (41)*

**Location:** 15 km SW of Sepetçi village and 250 m to the north of the Sepetçi-Gündüzler road.

**Dimensions:** Flat settlement. Length: 125 m; Area: 1 ha (cat. 3); Height: 3 m.

**Bibliography:** Efe 1996a: (Site 146).

*Karacahöyük (42)*

**Location:** It lies 3.5 km east of Eskişehir in the middle of Karacahöyük village.

**Dimensions:** Conical high mound. Diameter: 215 m; Area: 3.5 ha (cat. 3); Height: 15.7 m.

**Pottery:** n° 17, 145, 194

**Bibliography:** Efe 1995: 253 (Site 140).

*Alyamak Höyük (43)*

**Location:** 2.7 km NE of the mound of Şarhöyük.

**Dimensions:** Diameter: 195 m; Area: 3 ha (cat. 3); Height: 11 m.

**Pottery:** n° 24, 79, 111

**Bibliography:** Efe 1995: 253 (Site 138).

*Şarhöyük (Doryleion) (44)*

**Location:** Situated on the northern outskirts of the city of Eskişehir. Hittite remains have been unearthed on the southern slope of the mound.

**Dimensions:** Diameter: 350 m; Area: 10 ha (cat. 1); Height: 17 m.

**Excavations:** Muhibbe Darga (2005-2012), Taciser Sivas (2005-2012) and Directorate of the Eskişehir Archaeological Museum (from 2013 on).

**Bibliography:** Efe 1995: 252 (Site 136). Concerning the Hittite period: Sivas and Darga 2000 ; Darga 2004.

*Çiftlik Hüyük (45)*

**Location:** Now, in the western part of the city of Eskişehir; 100 m east of the road to Kütahya; the Porsuk river is 200 m to the east. Disturbances on the upper part of the mound.

**Dimensions:** Diameter: 100 m; Area: 0.8 ha (cat. 4); Height: 10 m.

**Pottery:** n° 21, 118, 174, 178

**Bibliography:** Efe 1990b: 409 (Site 16), ill. 18 (photo).

*Kumbağ Höyük (46)*

**Location:** 10 km north of Eskişehir; 1 km south of the Kozkayı village and 50 m to the west of the Eskişehir-Kozkayı road. A large disturbance pit on top of the mound.

**Dimensions:** Diameter: 200 m; Width: 100 m; Area: 1.5 ha (cat. 3); Height: 12 m.

**Bibliography:** Efe 1993: 347 (Site 61).

*Aşağı Söğütünü (47)*

**Location:** Now almost on the western edge of the city of Eskişehir; 700 m to the SE of Aşağı Söğütünü village; 80 m from the Eskişehir-Bozüyük road.

**Dimensions:** Diameter: ca. 160 m; Area: ca. 2 ha (cat. 3); Height: ca. 13 m.

**Pottery:** n° 12, 29, 98

**Bibliography:** Efe 1993: 347 (Site 62).

*Keskin (48)*

**Location:** 15 km NW of Eskişehir; on the eastern edge of the village of the same name; a copious spring nearby.

**Dimensions:** Diameter: ca. 160 m; Area: ca. 2 ha (cat. 3); Height: ca. 9 m.

**Bibliography:** Efe 1993b: 346 (Site 59).

*Çukurhisar (49)*

**Location:** Located 16 km NW of Eskişehir; on the northern edge of the Çukurhisar village; immediately to the right side of the Eskişehir-Bozüyük road.

**Dimensions:** Diameter: 210 m; Area: 3.5 ha (cat. 3); Height: 16 m.

**Bibliography:** Efe 1996a: 133 (Site 154).

*Oklubalı (50)*

**Location:** Located in the western part of the Eskişehir plain. NW of the Oklubalı village. The Porsuk flows 150 m from the north. Conical high mound. A stone wall (fortification?) exposed due to a disturbance on the northern outskirts.

**Dimensions:** Diameter: 150 m; Area: 0.8 ha (cat. 4); Height: 15 m.

**Bibliography:** Efe 1992: 562 (Site 39).

*Demircihüyük (51)*

**Location:** located 4.5 km NW of Çukurhisar; 1.5 km south of Zemzemiye village; 350 m to the north of the Eskişehir-Bozüyük road and 350 m to the west of the Söğüt road.

The southern outskirts of the site have been damaged by the construction of a road. A four-phased MBA settlement has been excavated on the eastern outskirts of the mound and further in the fields.

**Dimensions:** Diameter: not more than 100 m in diameter. Area: inferior to 1 ha (cat. 4).

**Excavation:** 1975-1978: M. Korfmann

**Bibliography:** Efe 1988; 1992: 563 (Site 41); Kull 1988.

*Oluklu Hüyük (52)*

**Location:** 12.7 km SE of Söğüt; 500 m SW of the Oluklu village; near the westbank of a small stream.

**Dimensions:** Diameter: 200 m; Area: 3 ha (cat. 3); Height: 10 m.

**Pottery:** n° 97, 119

**Bibliography:** Efe 1990b: 411 (Site 26).

*Bahçehisar/Kandilli (53)*

**Location:** Located in the western part of the Eskişehir Plain; 9 km SE of Bozüyük; 5 km NW of İnönü and 4 km NE of Kandilli village. The Sarısu, a small branch of the Porsuk River runs along the north flank of the site. Oval

mound. We don't know if the settlement of the second millennium covered the entire surface of the mound.

**Dimensions:** Length: 480 m; Width: 300 m; Area: ca. 11 ha (cat. 1); Height: 7, 5 m.

**Pottery:** n° 55, 60, 84, 106, 110, 165, 186, 220

**Bibliography:** French 1969: fig. 35, n° 322; Efe 1992: 563, ill. 7-9.

*Yeniköy Höyük (54)*

**Location:** SW of Eskişehir; 600 m to the NW of the Kümbetyenice village; immediately on the right side of the road to Aşağı Kuzfındık; the Güvemez stream runs past 100 m from the north.

**Dimensions:** Diameter: 150 m; Area: 2 ha (cat. 3); Height: 10 m.

**Pottery:** n° 83

**Bibliography:** Efe 1990b: 410 (Site 20).

*Esnemez (55)*

**Location:** Located 10 km SW of İnönü; 2 km SW of the Esnemez village. Immediately on the left side of the road leading to the Esnemez village.

**Dimensions:** Flat settlement. Small site (cat. 4).

**Bibliography:** Efe 1994b: 577 (Site 38).

*Erenköy I (56)*

**Location:** 16 km south of İnönü; 1.7 km distance from the modern village of Erenköy; on the immediate left side of the road leading to Erenköy.

**Dimensions:** Diameter: 100 m; Area: less than 1 ha (cat. 4); Height: 11m.

**Pottery:** n° 117, 127, 158, 162, 226

**Bibliography:** Efe 1990b: 411 (Site 22).

*Killi Höyük (57)*

**Location:** SW of Bozüyük; 2 km SW of the Yenidurdurga village; Kurudere runs past the east side of the mound; 350 m west of the Bozüyük-Seyitömer road.

**Dimensions:** Diameter: 200 m; Area: 3 ha (cat. 3); Height: 11m.

**Pottery:** n° 124

**Bibliography:** Efe 1990b: 411 (Site 24).

*Bozüyük (58)*

**Location:** The mound from which the modern town Bozüyük took its name was demolished to ground level during the rail road construction between the years 1895-1896.

**Dimensions:** Diameter: ca. 50 m; Area: ca. 0.2 ha (cat. 4); Height: ca. 13 m.

**Bibliography:** Koerte 1899. Koerte published the archaeological material he collected during the operation on the railroad construction. See also Efe 1992: 564 (Site 162).

**The Southern Kütahya Province (The Areas of Altıntaş, Örencik and Emet)**

Fifteen sites dating to the Middle and Late Bronze Ages have been located in this area.

*Malatça (59)*

**Location:** 40 km SE of Kütahya; on the northern edge of the modern village of Malatça (now Demirözü village). A terrace to the east.

**Dimensions:** Diameter of the cone: 250 m; Area: 5 ha (cat. 2); Height: 11.5 m.

**Pottery:** n° 30, 32, 37, 41, 63, 67, 122, 189

**Bibliography:** Efe 1994b: 575 (Site 94), fig. 10-12.

*Beşkarış (60)*

**Location:** South of Kütahya; 10 km SE of Altıntaş; in the middle of Beşkarış village. The whole mound is severely damaged by terracing for houses. On the western part, a profile (14 m in height) is formed.

**Dimensions:** Diameter: 200 m; Area: 3 ha (cat. 3); Height: 20 m.

**Pottery:** n° 23, 131, 141, 143, 175

**Bibliography:** Efe 1993: 351 (Site 87), ill. 14-16.

*Hebilin Höyük (61)*

**Location:** On the Altıntaş-Dumlupınar road, close to the turnoff to the Cirliyek village, on the right side before getting to the village. The mound is situated on a slope and a small stream runs along the mound.

**Dimensions:** Diameter: 120 m; Area: 4.5 ha (cat. 3); Height: 13 m.

**Bibliography:** Efe 1993: 351 (Site 88), ill. 18.

*Gecek (62)*

**Location:** SE of Kütahya; 4 km NW of Altıntaş; 200 m north of the Gecek village; on the left side of the road to Çayırbaşı village. Severe disturbance on the east side.

**Dimensions:** Diameter: 230 m; Area: 4 ha (cat. 3); Height: 14 m.

**Pottery:** n° 16, 28, 40, 45, 72, 82, 103, 107, 154, 179

**Bibliography:** Efe 1993b: 350 (Site 80).

*Abya (Pınarcık) (63)*

**Location:** 11.5 km SW of Altıntaş; NW of Pınarcık village; inside the classical site.

**Dimensions:** Diameter: 100 m; Area: 0.7 ha (cat. 4); Height: 6 m.

**Pottery:** n° 199

**Bibliography:** Efe 1993b: 350 (site 77).

*Gökçeler (64)*

**Location:** 12.5 km SE of Aslanapa; immediately to the east of Gökçeler village. A small stream flows along west and north sides of the mound. A large mound with a lower settlement to the east.

**Dimensions:** Diameter of the mound: 250 m; Area: 5 ha (cat. 2); Height: 17 m.

**Bibliography:** Efe 1993b: 352 (Site 91).

*Haydarlar (65)*

**Location:** South of Kütahya; 13 km east of Aslanapa and on the eastern edge of the modern village of Haydarlar.

**Dimensions:** Diameter: 100 m; Area: 0.8 ha (cat. 4); Height: 5 m.

**Pottery:** n° 31, 36, 44, 149

**Bibliography:** Efe 1993b: 348 (Site 67).

*Kıranharmanyeri (66)*

**Location:** 26 km SW of Altıntaş; in the middle of Kıranarmanyeri village.

**Description:** Low conical mound.

**Dimensions:** Diameter: 90m; Area: 0.6 ha (cat. 4); Height: 4 m.

**Bibliography:** Efe 1993b: 349 (Site 75).

*Höyüktepe (67)*

**Location:** Situated to the NE of Ören village.

**Dimensions:** Diameter: 130 m; Area: 1.3 ha (cat. 4); Height: 8 m.

**Bibliography:** Efe 1993b: 349 (Site 72).

*Sağlar (68)*

**Location:** 7.5 km southwest of Aslanapa and 1200 m northwest of Bezirgan village. Modern cemetery on top of the mound.

**Dimensions:** Diameter: 90 m; Area: 0.5 ha (cat. 4); Height: 10 m.

**Pottery:** n° 70, 159, 223

**Bibliography:** Efe 1993b: 349 (Site 69), ill. 7 (ware).

*Ortaca (69)*

**Location:** South of Kütahya; 9 km NW of Aslanapa; 400 m SW of Ortaca village. A small stream runs past from the NE.

**Dimensions:** Diameter: 230 m; Area: 4 ha (cat. 3); Height: 8 m.

**Pottery:** n° 3, 14, 15, 26, 66, 75, 120, 134, 135, 147, 153, 202, 206, 209, 218

**Bibliography:** Efe 1993: 348 (Site 65).

*Hacıkebir (70)*

**Location:** 5 km NE of Çavdarhisar and 500 m in the west of Hacıkebir village.

**Dimensions:** One of the largest mounds of the area. 3 slight cones on the surface. Diameter: 430 m; Area: 14 ha (cat. 1); Height: 9 m.

**Pottery:** n° 27, 56, 80, 95, 109, 125, 132, 156, 163, 171, 172, 187, 198, 213, 221, 222, 224, 225, 237, 245

**Bibliography:** Efe 1994b: 572 (Site 97).

*Akpınar (71)*

**Location:** South of Kütahya; immediately to the west of Gediz-Çavdarhisar road; 10 km from Çavdarhisar and 1 km east of Akpınar village.

**Dimensions:** Diameter: 110 m; Area: 1 ha (cat. 3); Height: 8 m.

**Pottery:** n° 69, 136

**Bibliography:** Efe 1994b: 572 (Site 98).

*Işıklar (72)*

**Location:** East of Emet; 800 m SW of Aydıncık village; 300 m to the south from the Aydıncık-Emet road. A small stream runs past from the north.

**Dimensions:** Slightly oval mound. Diameter: 105 m; Area: 0.8 ha (cat. 4); Height: 10.5 m.

**Bibliography:** Efe 1994b: 572-573 (Site 100).

*Örentepe (73)*

**Location:** 2 km SW of the Konuş village. Ören stream runs past from the north side.

**Dimensions:** Diameter: 100 m; Area: 0.8 ha (cat. 4); Height: 10.5 m.

**Bibliography:** Efe 1994b: 574 (Site 102).

*Subak (74)*

**Location:** 10.5 km east of Emet; 600 m SW of Subak village. The mound is situated between two streams. The classical settlement on top stretches beyond both streams.

**Dimensions:** Diameter: 100 m; Area: 0.8 ha (cat. 4); Height: 8.5 m.

**Pottery:** n° 182

**Bibliography:** Efe 1994b: 574 (Site 103), ill. 6-8.

**Northern Kütahya Province (The Areas of Kütahya-Taşanlı, Seyitömer and Domaniç)**

This region, which covers a smaller area, contains only eight sites of the second millennium period.

*İkizhöyük (75)*

**Location:** Situated 2.5 km NE of Kütahya, 600 m SE of İkizhöyük village, on the south bank of the Porsuk river.

**Dimensions:** Length: 55 m; Area: 0.2 ha (cat. 4); Height: 4 m.

**Pottery:** n° 19, 43, 100

**Bibliography:** Efe 1994b: 575 (Site 95).

*Parmakören (76)*

**Location:** 3 km north of Kütahya; 1300 m to the SE of Parmakören village.

**Dimensions:** Diameter: 120 m; Area: 1 ha (cat. 4); Height: 11 m.

**Pottery:** n° 183, 200

**Bibliography:** Efe 1991: 168 (Site 37), res. 21 (a view from the mound).

*Seyitömer Höyük (77)*

**Location:** 25 km NW of Kütahya; in the old town of Seyitömer.

**Dimensions:** Length: 150 m; Width: 140 m; Area: 1.7 ha (cat. 3); Height: 23.5 m.

**The excavations:**

1989: Eskişehir Archaeological Museum

1990-1995: Afyon Archaeological Museum

2006-until today: N. Bilgen (Dumlupınar University)

**Bibliography:** Efe 1991: 167 (Site 35). For the Middle Bronze Age settlement of the site, see: Bilgen 2013; Bilgen and Bilgen 2001.

*Hüyüktepe (78)*

**Location:** NW of Kütahya; 5 km SW of Seyitömer.

**Description:** The oval mound has been settled on top of a natural hill. It presents only Late Bronze Age deposit.

**Dimensions:** Length: 180 m; Width: 100 m; Area: 0.8 ha (cat. 4); Height: ca. 4 m.

**Pottery:** n° 11, 42, 57, 71, 78, 81, 91, 96, 101, 102, 104, 130, 133, 152, 214

**Bibliography:** Efe 1991: 168 (Site 36), ill. 20.

*Köprüören (79)*

**Location:** West of Kütahya; 1 km SW of the Köprüören village. Water canals around the slopes and two disturbance pits to the west.

**Dimensions:** Diameter: 200 m; Area: 3 ha (cat. 3); Height: 11 m.

**Bibliography:** Efe 1990b: 408 (Site 10).

*Kayıköy (80)*

**Location:** SE of Tavşanlı; at the same distance between Kuruçay and Kayıköy villages; 1.5 km to Kayıköy and 60 m from Kocaçay.

**Dimensions:** Diameter: 160 m; Area: 2 ha (cat. 3); Height: 14 m.

**Bibliography:** Efe 1990b: 407-408 (Site 9), ill. 13 (a view from the site).

*Tavşanlı (81)*

Google map picture:

**Location:** Immediately to the south of Tavşanlı; on the west bank of the Kocasu Stream.

**Dimensions:** The site is composed of two different sectors called Upper City and Lower City<sup>17</sup>. Oval mound (Fig. 2d). Length: 400 m; Width: 300 m; Area: 10 ha (cat. 1); Height: 10 m. The Lower City between the mound and Kocaçay is 250 m in diameter.

**Pottery:** n° 1, 2, 4, 5, 6, 7, 8, 9, 18, 33, 35, 38, 39, 47, 48, 51, 53, 54, 58, 61, 62, 65, 73, 74, 86, 87, 88, 90, 92,

17) Efe 2000b: 109.

94, 108, 123, 137, 138, 139, 140, 155, 157, 161, 164, 173, 176, 177, 180, 181, 185, 192, 193, 195, 196, 197, 201, 203, 204, 205, 211, 212, 215, 216, 217, 219, 227, 228, 229, 230, 232, 233, 234, 238, 239, 241, 243, 244

**Bibliography:** Efe 1990b: 407 (Site 8), ill. 11-12; Özgüç 1946: 558-565, pl. LXXV-LXXVII.

*Kocahüyük (82)*

**Location:** South of Domaniç; just to the east of the Domaniç-Çiftlik road; 700 m to the north of Çiftlik village.

**Dimensions:** Diameter: 300 m; Area: 7 ha (cat. 2); Height: 13 m.

**Pottery:** n° 85, 108, 112

**Bibliography:** Efe 1990b: 405-406 (Site 1), ill. 2-5; Efe 1991: 164.

**The Bilecik Province**

The Bilecik province presents seven sites of the second millennium period.

*Kalehöyük (83)*

**Location:** 3 km to the NW of Söğüt; in a deep valley where the two streams converge; on top of a natural hillock. The cultural deposit is not thick.

**Dimensions:** Diameter: 100 m; Area: 0.8 ha (cat. 4).

**Bibliography:** Efe 1993b: 346 (Site 57).

*Demirköy (84)*

**Location:** Midway between Bözüyük and Bilecik; 10 km from Bözüyük; 1200 m NE of Demirköy village; 250 m east from the Bozüyük-Bilecik road; on the east bank of the Karasu; on a rocky platform. A severe disturbance along the east slope.

**Dimensions:** Oval mound. Length: 100 m; width 50 m; Area: 0.9 ha (cat. 4); Height: 9.5 m.

**Pottery:** n° 59, 188, 190

**Bibliography:** French 1967: 50, figs. 8: 24-49, 9: 1-9; Efe 1992: 565 (Site 46), ill. 3-18.

*Pazaryeri II (85)*

**Location:** 3 km east of Pazaryeri, 600 m south from the Bozüyük-Pazaryeri road; a small stream runs past the east side of the mound.

**Dimensions:** Diameter: 150 m; Area: 1.7 ha (cat. 3); Height: 5 m. The northern half seems to have been completely destroyed.

**Bibliography:** Efe 1992: 565 (Site 47).

*Kınık (86)*

**Location:** Southwest of Bilecik; 5 km NW of Pazaryeri; just besides the road leading to Kınık village; on the east bank of Sorgun stream.

**Dimensions:** Diameter: 150 m; Area: 1.8 ha (cat. 3); Height: 4 m.

**Pottery:** n° 25**Bibliography:** Efe 1992: 565 (Site 49).*Gökhöyük (87)*

**Location:** 5 km to the NE of Osmaneli; at the İznik turnout of the old İstanbul Road. The settlement is on the top and outskirts of a natural hillock, the western part of which was cut by the İznik Road.

**Dimensions:** Dimensions of the preserved part: Length: 200 m; Width: 150 m; Area: 2 ha (cat. 3).

**Bibliography:** Efe *et al.* 2014: 499, ill. 2:7.*Yılık Höyük (88)*

**Location:** North of the Bilecik province, *ca.* 2 km south-east of the Cumalı village.

**Description:**

**Dimensions:** Diameter: 150 m; Area: 1.8 ha (cat. 3); Height: 5 m.

**Excavation:** A small scale excavation had been carried out at the site by the Eskişehir Archaeological Museum.

**Pottery:** n° 10**Bibliography:** Aydın 1987: 32ff; Efe 1992: 566 (Site 50).*Arıcaklar (89)*

**Location:** This mound is 4.5 km to the east of Gölpazarı; immediately just on the right side of the road coming from Gölpazarı, half a kilometer to the NW of Arıcaklar village. Prehistoric material is sealed under a thick deposit from the Classical Period. The mound is very high; so we can anticipate that the Second Millennium is represented on the mound, although no evidence has been provided.

**Dimensions:** Large oval mound. Length: 260 m; Width: 180 m; Area: 3.5 ha (cat. 3); Height: 21.50 m.

**Bibliography:** Efe 1992: 567 (Site 55)

## SURVEY METHODOLOGY

To begin with, we would like to briefly introduce the survey methodology in order to better assess the survey results achieved in terms of the Second Millennium B.C.

### Site recognition

The surface surveys in the area by C. Burney and D. French in the 50's and 60's were mainly confined to the mounds in the plains easily visible from a distance. Among these Eskişehir Province was the least known area in terms of prehistoric site distri-

bution. Dündar Tokgöz, the former Director of the Eskişehir Archaeological Museum conducted an intensive survey in the Eskişehir province in the late 1970's. Unfortunately, his survey results have not been introduced to the literature. The site distribution map partly based on his survey results was fetched from the museum by T. Efe, right before his survey and it saved him a lot of time and effort in finding the mounds. During the surface survey, additional new mounds and flat settlements have also been discovered; thus, in total, more than 200 prehistoric sites have been visited. Among these, 89 sites that we introduce here yielded Second Millennium pottery.

The survey has been conducted under difficult conditions, basically due to the insufficiency of the financial possibilities. We cannot claim that every remote corner of the region has been reached. From time to time, the team walked in the fields to look for the flat settlements.

Finally between the years 2001-2005 T.T. Sivas and H. Sivas conducted surface surveys in the provinces of Eskişehir, Kütahya and Afyonkarahisar<sup>18</sup>. During these surveys a few additional, small-sized mounds from the Second Millennium have been discovered. Here, they are not included, since no map has so far been published with the exact locations of these sites.

### Site measurements

The site size was measured using 20 m-long tape line, a spirit level and a meter stick (for the height of the site). During the preparation of the catalogue of the surveyed sites, almost all of the sites visited have been spotted in "Google Earth" and the values for their sizes verified.

### Collection strategy

Only random sampling has been carried out for the material collection. Sometimes, the flat tops of the large-sized mounds and the lower settlements have been sherded separately. We tried to collect as many sherds as possible at the site without making any selection. After washing the material, only diagnostic sherds (rim, handle, base and decoration) have been sorted out for the collection. Although the main goal of this survey was to investigate the pre- and proto-historic settlements, the materials from the later periods has been registered as well (cf. Table 1)<sup>19</sup>.

18) Sivas and Sivas 2002-2005.

19) The chronological subdivision used were: Chalcolithic (or Late Chalcolithic), EBA I, II, III, Second millennium (sometimes MBA and LBA, if diagnostic sherds allowed this degree of accuracy), Phrygian, Classical and Byzantine period.

Due to the fact there were very few excavated sites in the survey area for the Second Millennium (Demircihöyük, Seyitömer) and by consequence a paucity of well stratified contexts, the chronological frame for the Middle and Late Bronze Age was largely based on wider regional synchronism (Beycesultan, Troia, Gordion, Boğazköy) (cf. Fig. 3). In the current state of research, it is not possible to distinguish accurately the material from the Middle and Late Bronze Age. Thus, for a large majority of sherds of the corpus is labelled Second Millennium.

### ASSESSMENT OF THE SITES IN TERMS OF THEIR TYPES, SIZES AND DISTRIBUTION

#### Settlement Types

Nearly all Second Millennium sites were established on the mounds as a continuation of earlier settlements; flat settlements such as Kayabaşı/İnli (27), Kızlar Höyük (41), Esnemez (55), Hüyüktepe (78) and Kalehöyük (83) are few. Since the material of the preceding EB III period is often sealed under the Second Millennium deposit on the mounds, it is not, most of the time, possible to determine on how many of them the occupation continues uninterrupted into the Second Millennium B.C. The settlements normally take the shape of the earlier mound or the natural rise on which the site was established – Hüyüktepe (78), Aşağı Kepen (1). Most of the sites are round, roughly round or oval in shape.

The sites of Suluhöyük (14) and Yeşildon (32) (Fig. 2e) have long oval terracing on one side. It either has something to do with the subsequent expansion of the site or with the gradual formation of upper and lower settlements. Three large-sized mounds, Karapazar (24) (Fig. 2a), Malatça (59) and Tavşanlı (81) (Fig. 2d), seem to definitely have lower settlements on one side. We are not sure if those of Karapazar and Malatça date from the Second Millennium. The Yakakayı site (40), on the other hand, is comprised of a mound and a lower settlement encircling it all the way around. So, it is very similar in form to certain Mesopotamian tells.

#### Settlement Sizes and Site Distribution

Due to the favorable geographical conditions (fertile and well-watered plains, richness of natural sources), strategic situation etc. the area was densely inhabited in all periods. Eighty-nine sites from the Second Millennium have so far been discovered in the survey area, encompassing the Provinces of Kütahya, Bilecik and Eskişehir (Fig. 3). Most of these

sites are clustered in the Plains of Upper Sakarya, Eskişehir and Altıntaş-Örencik (Southern Kütahya Province). The Tavşanlı-Kütahya plains and the mountainous regions are much less populated. Surprisingly, the eastern part of the Upper Sakarya Plain as well was never densely settled in prehistoric times.

We distinguished four categories of sites according to their sizes :

- Category 1: 10-30 ha
- Category 2: 5-10 ha
- Category 3: 1-5 ha
- Category 4: less than 1 hectare (Fig. 3).

In the entire survey area, the number of category 1 sites in total are 7. The other 6 sites belong to Category 2. The sizes of most sites (51 out of 89 identified) are range between 1 ha to 5 ha (cat. 3). This is by far, the most widespread kind of settlement in the region at this time. Finally, 25 sites measured less than 1 hectare (cat. 4).

In terms of site distribution, the following five sub-regions have been determined, based on the geographical and cultural conditions.

#### *The Upper Sakarya Plains and the Phrygian Highlands (I)*

The Sakarya river crosses the area from east to west. This region delivered twenty seven sites, most of which are located in the western half of the plain. Only a few small sites from the Second Millennium B.C. are known from the Phrygian Highlands to the west.

This area delivered one major site (category 1) Aşağı Kepen (1), in the eastern part of the plain. The Second Millennium settlement, however, might not be as impressive as it appears to be. The cone in the middle of the settlement appears not to have cultural accumulation. This site is quite isolated; only two small sites – Kızılcaaköy (2) and Bahçeçik II (3) – have been located in its close vicinity.

The region has 2 sites of category 2 and 19 of category 3. If we take the lower settlement into consideration, we can evaluate Karapazar (24) under category 2 sites. Finally, category 4 is only represented by 5 settlements.

#### *The Upper Porsuk Valley and the Eskişehir Plain (II)*

The eastern part of the plain is called Alpu Plain. The plain is terminated in the west by the plains of İnönü and Bozüyük. The Porsuk and its tributary, Sarısu run through the plain. Most of the



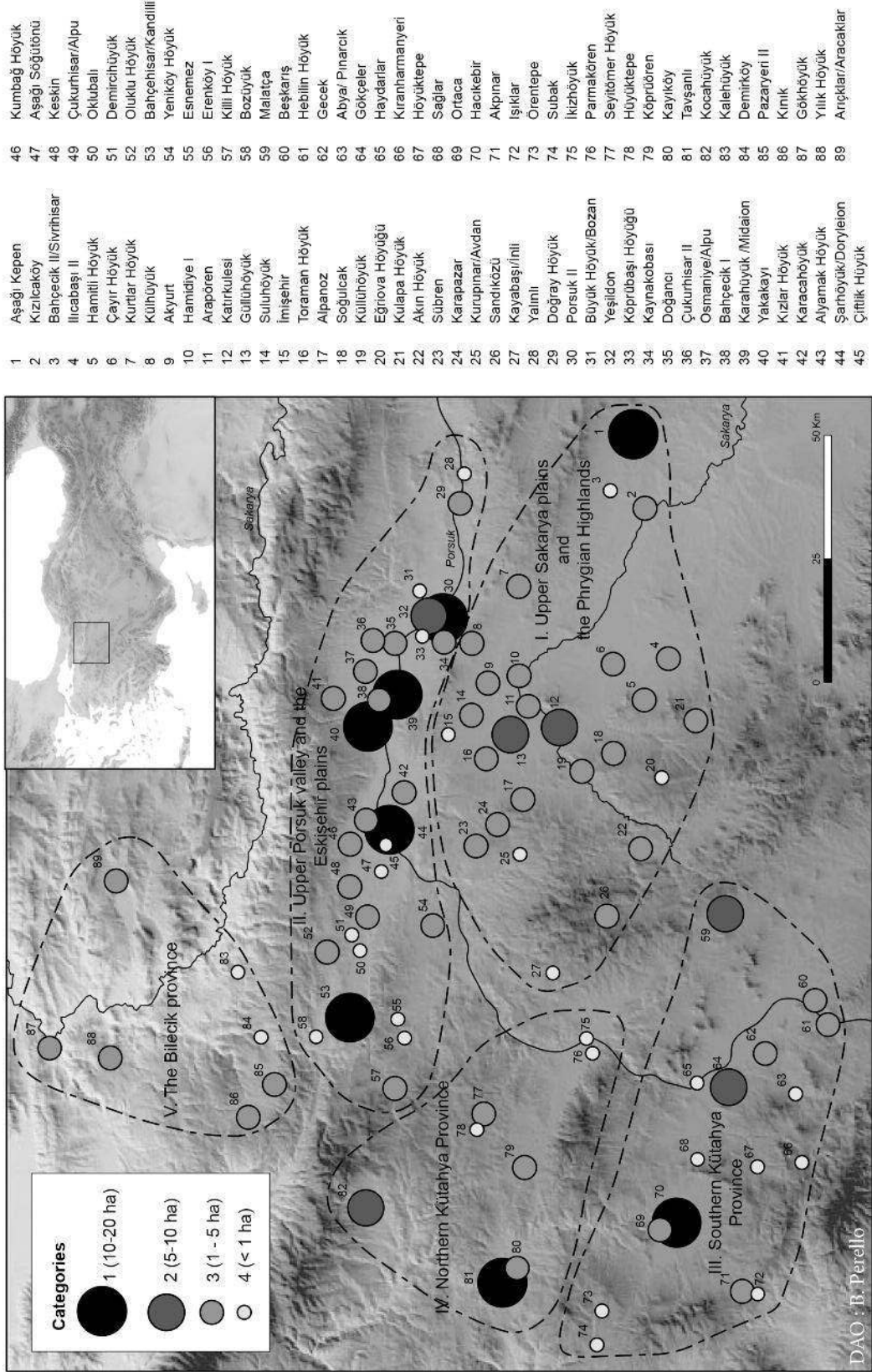


Fig. 3 : Map of the Second Millennium sites.

DAO : B. Perello

Table 1 : Periodization of surveyed sites.

Region	N°	Sites	AST n°	Chalcolithic	Early Bronze Age	2 <sup>nd</sup> millennium	1 <sup>st</sup> millennium	Classical	Byzantine
Upper Sakarya plains and the Phrygian Highlands	1	Aşağı Kepen	190		EBA II	2 <sup>nd</sup> mill	1 <sup>st</sup> mill	Classical	
	2	Kızılcaaköy	188		EBA?	2 <sup>nd</sup> mill		Classical	
	3	Bahçecik II (Sivrihisar)	186		EBA II-III	2 <sup>nd</sup> mill		Classical	
	4	Ilıcabaşı II	204		EBA II-III	2 <sup>nd</sup> mill		Classical	
	5	Hamitli	202		EBA II-III	2 <sup>nd</sup> mill		Classical	
	6	Çayır Höyük	201		EBA II-III	2 <sup>nd</sup> mill		Classical	
	7	Kurtlar Höyük	169		EBA II-III	2 <sup>nd</sup> mill		Classical	
	8	Küllühyük	135		EBA II-III	2 <sup>nd</sup> mill		Classical	
	9	Akyurt	166		EBA?	2 <sup>nd</sup> mill			
	10	Hamidiye I	174		EBA III	2 <sup>nd</sup> mill			
	11	Arapören	173		EBA II-III	2 <sup>nd</sup> mill			
	12	Katrkulesi	172		EBA II-III	2 <sup>nd</sup> mill		Classical	
	13	Güllühyük	131	Chalco	EBA	2 <sup>nd</sup> mill	Phrygian		
	14	Suluhöyük	135		EBA	2 <sup>nd</sup> mill	Phrygian		
	15	İmişçir	133		EBA II-III	2 <sup>nd</sup> mill	Phrygian (?)	Classical	
	16	Toraman Höyük	127	Late chalco	EBA II-III	2 <sup>nd</sup> mill			
	17	Alpanoz	119		EBA II-III	2 <sup>nd</sup> mill		Classical	
	18	Soğulcak	209		EBA II-III	2 <sup>nd</sup> mill			
	19	Küllühyük	122		EBA II-III	2 <sup>nd</sup> mill	Phrygian		
	20	Eğriova Höyüğü	212		EBA	2 <sup>nd</sup> mill			
	21	Kulapa Höyük	211		EBA II-III	2 <sup>nd</sup> mill			
	22	Akın Höyük	217		EBA II-III	2 <sup>nd</sup> mill			
	23	Sübren	219		EBA	2 <sup>nd</sup> mill			
	24	Karapazar	24		EBA	2 <sup>nd</sup> mill			
	25	Kurupınar/Avdan			EBA	2 <sup>nd</sup> mill			
	26	Sandıközü			EBA	2 <sup>nd</sup> mill			
	27	Kayabaşı/İnli	12		Flat settl.	2 <sup>nd</sup> mill			
	28	Yalınlı	221		EBA II-III	2 <sup>nd</sup> mill	Phrygian		

Region	N°	Sites	AST n°	Chalcolithic	Early Bronze Age	2 <sup>nd</sup> millennium	1 <sup>st</sup> millennium	Classical	Byzantine
Upper Porsuk valley and the Eskişehir Plain	29	Doğray Höyük			EBA	2 <sup>nd</sup> mill			
	30	Porsuk II	224		EBA II-III	2 <sup>nd</sup> mill			
	31	Büyük Höyük/Bozan	162		EBA?	2 <sup>nd</sup> mill		Classical	
	32	Yeşildon	160		EBA?	2 <sup>nd</sup> mill			
	33	Köprübaşı Höyüğü	159		EBA II-III	2 <sup>nd</sup> mill			
	34	Kaynakobası	163		EBA II-III	2 <sup>nd</sup> mill			
	35	Doğancı	156		EBA II-III	2 <sup>nd</sup> mill			
	36	Çukurhisar II/Alpu	155		EBA?	2 <sup>nd</sup> mill		Classical	
	37	Osmaniye/Alpu	152		EBA II-III	2 <sup>nd</sup> mill		Classical	
	38	Bahçecik I	150		EBA?	2 <sup>nd</sup> mill		Classical	
	39	Karahöyük /Midaion			EBA	2 <sup>nd</sup> mill	Phrygian	Classical	
	40	Yakakayı	145		EBA III	2 <sup>nd</sup> mill		classical	
	41	Kızlar Höyük	146		EBA I-II	2 <sup>nd</sup> mill		Classical	
	42	Karacahöyük	140		EBA	2 <sup>nd</sup> mill	Phrygian		Byzantine
	43	Alyamak Höyük	138		EBA II-III	2 <sup>nd</sup> mill	Phrygian		
	44	Şarhöyük/Doryleion	136		EBA	2 <sup>nd</sup> mill			
	45	Çiftlik Höyük	16		EBA	2 <sup>nd</sup> mill			
	46	Kumbağ Höyük	61		EBA III	2 <sup>nd</sup> mill	1 <sup>st</sup> mill		
	47	Aşağı Söğütönu	62		EBA II-III	2 <sup>nd</sup> mill	1 <sup>st</sup> mill		
	48	Keskin	59		EBA II-III	2 <sup>nd</sup> mill		Classical	
	49	Çukurhisar	154		EBA	2 <sup>nd</sup> mill		Classical	
	50	Oklubalı	39		EBA II-III	2 <sup>nd</sup> mill		Classical	
	51	Demircihöyük	41		EBA	MBA			
	52	Oluklu Höyük	26		EBA	2 <sup>nd</sup> mill			
	53	Bahçehisar/Kandilli	42		EBA II-III, Über.	MBA		Classical	Byzantine
	54	Yeniköy	20		EBA	2 <sup>nd</sup> mill			
	55	Esnemez	38		Flat settl.	2 <sup>nd</sup> mill			
	56	Erenköy I	22		EBA	2 <sup>nd</sup> mill			
57	Killi Höyük	24		EBA	2 <sup>nd</sup> mill	Phrygian			
58	Bozöyük	45		EBA?	2 <sup>nd</sup> mill				

Region	N°	Sites	AST n°	Chalcolithic	Early Bronze Age	2 <sup>nd</sup> millennium	1 <sup>st</sup> millennium	Classical	Byzantine
Southern Kütahtya	59	Malatça	94		EBA II-III	2 <sup>nd</sup> mill		Classical	
	60	Beşkarış	87		EBA II-III	2 <sup>nd</sup> mill	1 <sup>st</sup> mill		
	61	Hebilerin Höyük	88		EBA II-III	2 <sup>nd</sup> mill			
	62	Gecek	80		EBA II-III	2 <sup>nd</sup> mill	1 <sup>st</sup> mill		
	63	Abya	77		EBA II-III	2 <sup>nd</sup> mill	1 <sup>st</sup> mill		
	64	Gökçeler	91		2 sherds EBA	2 <sup>nd</sup> mill		Classical	
	65	Haydarlar	67		EBA I-II	2 <sup>nd</sup> mill			
	66	Kıranharmanyeri	75		EBA III	2 <sup>nd</sup> mill			
	67	Höyüktepe	72		EBA II-III	2 <sup>nd</sup> mill	1 <sup>st</sup> mill		
	68	Sağlar	69		EBA I-II	2 <sup>nd</sup> mill	1 <sup>st</sup> mill		
	69	Ortaca	65		EBA II-III	2 <sup>nd</sup> mill			
	70	Hacıkebir	97		EBA II-III	2 <sup>nd</sup> mill			
	71	Akpınar	98		EBA?	2 <sup>nd</sup> mill			
	72	Işıklar	100		EBA?	2 <sup>nd</sup> mill		Classical	
73	Örentepe	102		EBA II	2 <sup>nd</sup> mill	1 <sup>st</sup> mill	Classical		
74	Subak	103		Late chalco	EBA II-III	1 sherd LBA		Classical	
Northern Kütahtya	75	İkizhöyük	95		EBA II-III	2 <sup>nd</sup> mill			
	76	Parmakören	37		EBA II-III	LBA		Classical	
	77	Seyitömer Höyük	35		EBA	2 <sup>nd</sup> mill			
	78	Hüyüktepe	36			2 <sup>nd</sup> mill			
	79	Köprüören	10		EBA	2 <sup>nd</sup> mill			
	80	Kayıköy	9		EBA?	2 <sup>nd</sup> mill			
	81	Tavşanlı	8		EBA	2 <sup>nd</sup> mill			
	82	Kocahöyük	1		Paleolithic (in the fields to the west)	EBA?	2 <sup>nd</sup> mill (höyük)		
Bilecik province	83	Kalehöyük	57			2 <sup>nd</sup> mill		Classical	
	84	Demirköy	46		Late Chalco	EBA III	2 <sup>nd</sup> mill		
	85	Pazaryeri II	47		Middle and Late chalco	EBA	2 <sup>nd</sup> mill		
	86	Kınık	49		Chalco	EBA	2 <sup>nd</sup> mill		
	87	Gökhöyük			EBA	2 <sup>nd</sup> mill			
	88	Yılık Höyük	50		Chalco	EBA I-II	LBA III		
	89	Arıçklar/Aracaklar	55		EBA	2 <sup>nd</sup> mill		Classical	

sites line up along these rivers. The upper Porsuk Valley which provides traffic between Kütahya and Eskişehir plains was poorly occupied during the Second Millennium B.C.

With 31 sites, this plain is by far the most densely occupied part of the survey area. Five large sites of more than 10 ha have been located in this area. These are, from east to west, Porsuk II (30), Karahöyük/Midaion (39), Yakakayı (40), Şarhöyük/Doryleion (44) and Bahçehisar/Kandilli (53). Porsuk II almost 30 ha in size is the most impressive of all sites. However, we are not sure if the entire surface of the mound was occupied during this time period. Karahöyük/Midaion (30) which is almost 20 ha in size constitutes the second largest mound of the plain. Around these large settlements, there are a range of intermediate sites: 1 site of 5-10 ha, 16 sites of 1-5 ha and 9 sites less than 1 ha. The eastern part of the Eskişehir Plain (the Alpu Plain) is more densely settled than the west.

The regions I and II are both densely occupied; however, they don't present the same patterns. In the Upper Sakarya region (I), the major sites (Aşağı Kepen) is quite isolated. On the contrary, in region II, the major sites (30, 39, 40, 44, 53) are surrounded by clusters of sites. This variation could reflect different kinds of political organization.

### *The Southern Kütahya Province (III)*

Sixteen sites have been located in this area. The site of Hacikebir (70), which covers 14 ha, appears to be the crucial site of this area. There are 2 sites of category 2, 6 sites of category 3 and 7 sites of category 4. The clustering of sites and their increase in number as they get smaller in size might, as well, have something to do with the political/hierarchical structuring in the area.

### *Northern Kütahya Province (IV)*

This region is less densely occupied than the previous ones. Only eight sites have been identified in this area. On the western part of the area is located the major site (cat. 1) of Tavşanlı (81) and Kocahöyük (82) which is of intermediate size (cat. 2) is located in the north.

Except for Kayıköy (80), the other settlements of the area are not located in the immediate vicinity of Tavşanlı (81). The oval flat settlement of Hüyüktepe (78) dated to the LBA is situated on a natural hill in the mountainous area to the north of the Kütahya Plain. The mound of Seyitömer (77) in the immediate vicinity is the only excavated site in this area. The

completely excavated level IVA (with 3 architectural layers), the material of which has not yet been adequately published is dated to the MBA.

### *The Bilecik province (V)*

Finally, the last region is located in the northern part of our survey area. The settlement system in the "Bilecik Province" is characterized by small and dispersed settlements measuring less than 5 ha. There are only 2 sites of category 4 – Kalehöyük (83), Demirköy (84) – and 5 sites of category 3 – Pazaryeri II (85), Kınık (86), Gökhöyük (87), Yıllık Höyük (88) and Arıçaklar/Aracıklar (89).

This region seems obviously to be more sparsely populated. This is the only zone in the surveyed area that hasn't delivered at least one major site. Arıçaklar, situated in the Gölpazarı plain is the largest mound (3.5 ha). This area was most probably culturally – and perhaps politically as well – integrated with the neighbouring İznik-İnegöl area which was much more densely populated than Bilecik Province during the entire timespan of the Bronze Ages. İnegöl II and Çardak are the largest mounds.

## THE WARES

Our corpus includes 258 drawn sherds. Only sherds which we considered important for the Second Millennium such as rim sherds, bases, and wall sherds with decorative patterns have been illustrated. The pottery is divided into nine different ware groups, determined mainly according to the surface treatment. The paste is normally fine except the coarse ware. The vast majority of the pottery is wheelmade. Wheelmarks are usually visible. The cooking-pot rims pieces (n° 176 and 177) are definitely handmade.

### **Fine Red Slipped Ware/Hittite Ware (ware 1)** (Fig. 4)

The surface is slipped and burnished. The quality of burnish varies. Sometimes burnishing strokes are visible and occasionally horizontal burnishing stripes or pattern-burnishing are present. Some pieces have matt surfaces. The surface colour is in various hues of red, reddish brown and light brown. The paste is normally very fine. Some pastes are compact and well-fired. Seldom sporadic stone tempering. Mica is not characteristic. The most popular paste colour is brown. Especially thick walls have cores. Most of the well burnished examples of this ware should rather be dated to the Middle Bronze Age.

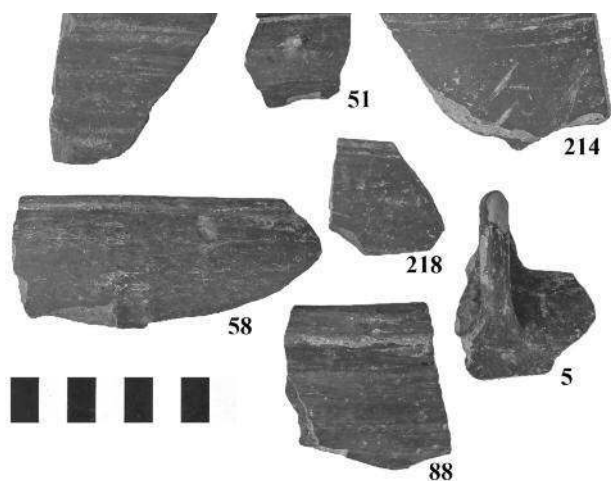


Fig. 4 : Fine Red Slipped Ware.

**Comments:** This ware is the successor of the so-called Hittite Ware of the Transitional Period into the Middle Bronze Age of the region, the characteristics and stratigraphy of which is well known from Küllüoba<sup>20</sup>.

This ware is mainly dated to the Middle Bronze Age. A subcategories of the Fine Red Slipped ware, called Brown Slipped Ware are also attested, but so far sherds have been found at only two sites Tavşanlı (n° 205) and Yakakayı (n° 170). They are slipped and burnished; well smoothed and occasionally faceted. Slip adheres very well. The surface colour presents various tones of brown. The brown paste, occasionally with core, is very fine, compact and hard fired. No tempering. It differentiates itself from the Fine Red Slipped Ware by having a compact paste and well- adhered brown slip.

#### Red Washed Ware (ware 2) (Fig. 5)

This ware is in most ways similar to the Fine Red Slipped Ware. The only difference is that this ware has a thin slip defined as “wash”. Sometimes horizontal burnishing strokes are visible on the surface.

#### Orange Washed Ware (ware 3) (Fig. 6)

The surface is slipped, matt or slightly burnished. Sometimes, the slip is thin (washed). The color surface varies between Orange, pinkish brown and light brown. The biscuit is fine, normally with no tempering; brown, pink, pinkish brown; without core.

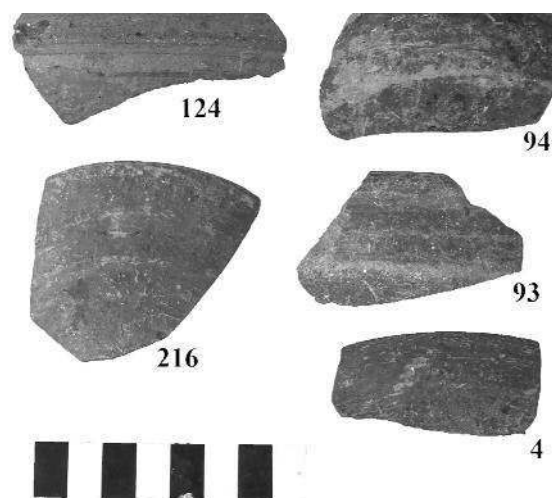


Fig. 5 : Washed Ware.

**Comments:** This ware is widespread from the early EB III on, in the Kütahya, Uşak and Denizli areas. The Seyitömer early EB III Orange Slipped Ware must be somehow related to this ware.

#### Red/Brown Burnished Ware (ware 4) (Fig 7)

No slip, matt or burnished; sometimes with horizontal or vertical burnishing strokes. The surface changes from reddish brown to light brown. Biscuit is fine, no tempering. The clay is reddish brown, pinkish red, brown or light brown in colour.

**Comments:** This ware is separated from the Plain Ware practically by its matt or burnished surface.

**Comparison:** French 1967: 64 (Second millennium: Red burnished).

#### Hittite White/Cream Slipped Ware (ware 5) (Fig. 8)

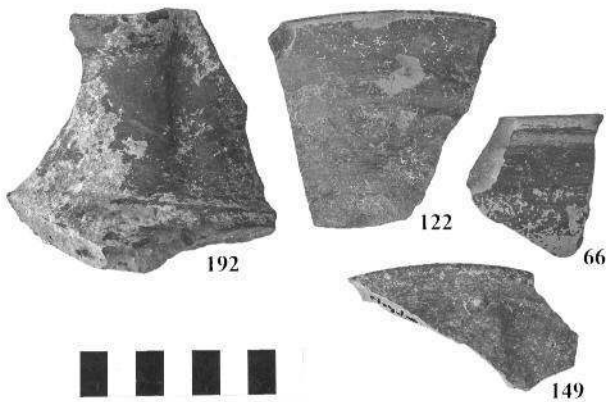
Slipped, matt or slightly burnished. The surface is white or cream in colour. The biscuit is fine. The thick walls sometimes shows sporadic stone tempering. No mica. Paste colour varies from red to reddish brown or light brown.

**Comments:** This typical Hittite White/Cream Slipped Ware is especially known from Central Anatolia.

#### Second Millennium Demirköy Ware (ware 6) (Fig. 9)

No slip, matt or slightly burnished surface. Brown or reddish brown in colour. The clay is fine and always with mica inclusions; red, reddish brown or brown in colour.

20) Şahin 2013.



**Fig. 6 : Orange Washed Ware.**

Comments: This ware, hand or wheelmade, seems to occur in the Bilecik area from the EB I period onward.

**Plain Ware (ware 7) (Fig. 10)**

No slipped and no burnish; normally well smoothed. In all kinds of tones of red or brown.

The clay is normally fine. Stone inclusions occur infrequently. Mica is not typical. Paste colour is the same as the surface. Horizontal grooving or fluting is typical on the vessels of this ware.

**Grey Ware (ware 8) (Fig. 11)**

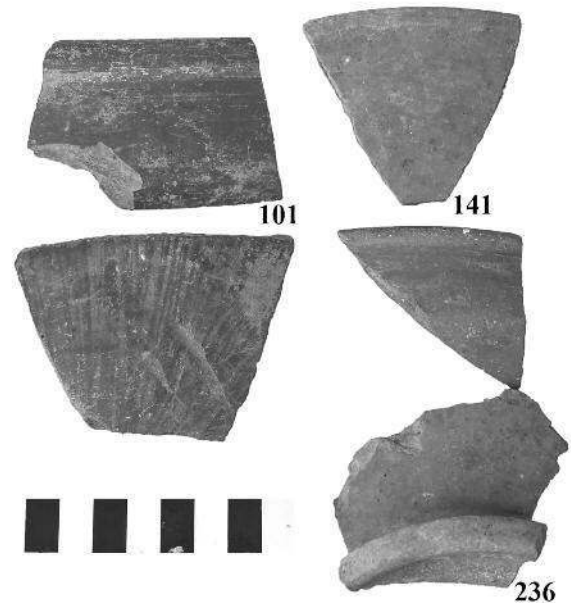
Slipped, washed or unslipped; matt or slightly burnished. The surface presents different shades of grey. The biscuit is fine. Thick walls occasionally with sporadic stone tempering. Paste colour is black, dark grey, light brown.

Comments: This group of ware is characteristic of the eastern Marmara Region. It is especially represented by "S" profile bowls with horizontal handles on the rim (with or without pedestals) in the Middle Bronze pottery of Seyitömer<sup>21</sup>.

**Coarse Ware (Ware 9) (Fig. 12)**

No slip and no burnish. The colour varies from reddish brown to brown. Cooking pots are naturally secondarily burnt and often with smoky surfaces. The clay is coarse often with large stone inclusions. Paste colour is the same as that of the surface.

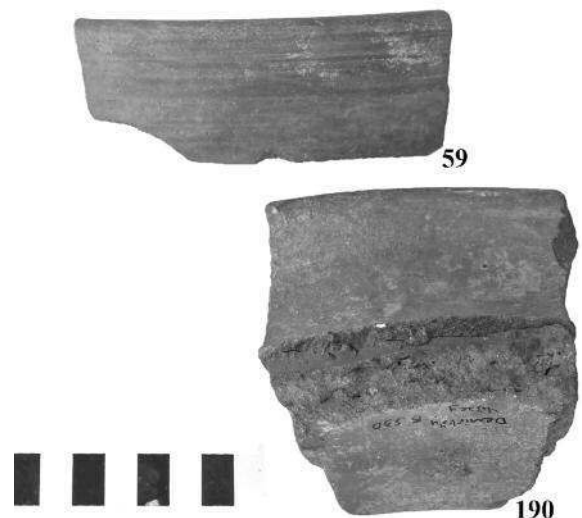
Comments: This ware is mostly represented by cooking pots with globular bodies and crescent lugs under the rims.



**Fig. 7 : Red/Brown Burnished Ware.**



**Fig. 8 : Hittite White/Cream Slipped Ware.**



**Fig. 9 : Demirköy Ware.**

21) Bilgen and Bilgen 2015, Fig.103

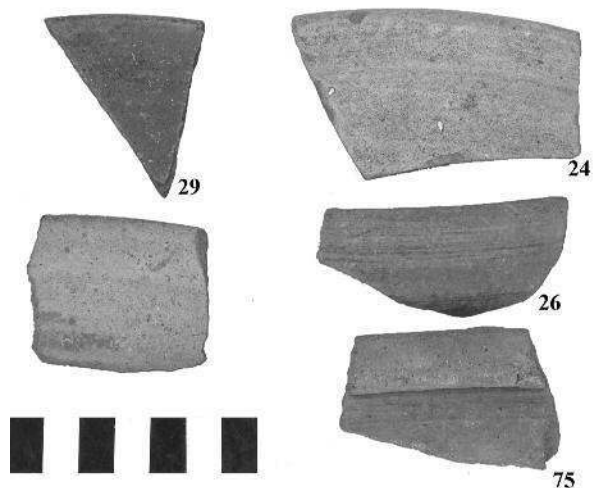


Fig. 10 : Plain Ware.



Fig. 11 : Grey Ware.

### FORMS

In the following section each form is described in detail and pertinent parallels in Western Anatolia are cited. Parallels are made on the basis of shape alone. Considering that we are dealing with survey material we are not able to determine the preponderance of any specific shapes or to claim to the completeness of the repertory. We have distinguished twenty five different shapes of pottery, including bowls, dishes, pots and jugs. There are many pieces

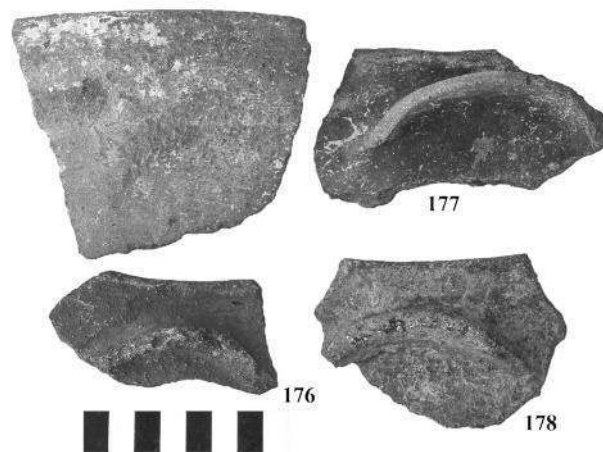


Fig. 12 : Coarse Ware.

that are not sufficiently preserved to restore complete profile. The total number of drawn sherds are 246.

### Bowls

The bowls are the commonest shape. There is a great number of subvarieties in profile. Twelve subgroups have been distinguished according to their profile. The great majority of the bowls of our corpus are wheelmade. Wheel marks are usually visible on interiors.

#### A1- Bowls with simple profile (Fig. 14)

The first type is a hemispheric simple bowl with a plain rim (n° 1-2, Tavşanlı). The shape occurs in Orange washed ware (ware 3).

#### A2- Bowl with incurving rim (Fig. 14)

This subgroup can be conical (n° 3 Ortaca, 4 Tavşanlı, 7 Tavşanlı, 10 Yıllık) or hemispherical (n° 5, Tavşanlı, 6 Tavşanlı, 8 Tavşanlı, 9 Tavşanlı). This kind of bowl probably had a flat base. Among them, some have a loop handle above the rim (n° 5 Tavşanlı, 9 Tavşanlı). The conical bowls with incurving rim are attested at Demircihüyük during MBA (*Schalen a2*)<sup>22</sup>. The shape is recognized in Fine Red Slipped Ware (ware 1), Orange Washed Ware (ware 3) and Plain Ware (Ware 7). This profile is also quite widespread in Beycesultan<sup>23</sup> level V where it is called "bowl with inverted rim".

#### A3- Carinated bowls (Fig. 14)

There is a wide variety of carinated bowls (n° 11 Höyüktepe, 12 Aşağı Söğütözü, 13 Güllühöyük, 14 Ortaca, 15 Ortaca, 16 Gecek, 17 Karacahöyük, 18

22) Kull 1988: 140.

23) Lloyd and Mellaart 1965: 83, Fig. P. 3: 8, 10, 16.



Tavşanlı, 19 İkiz Höyük, 20 Küllühöyük, 21 Çiftlik, 22 Küllühöyük, 23 Beşkarış, 24 Alyamak). The in-turning rim is more or less sharp. The shape of the base is unknown. One example has a loop handle (n° 13) above the rim. This shape may have a radial pattern burnishing on interior (n° 21). It occurs in Fine Red Slipped Ware (ware 1), Red Washed Ware (ware 2), Orange Washed Ware (ware 3), Red/Brown Burnished Ware (ware 4) and Plain Ware (ware 7). Good parallels are recognizable from the Middle Bronze Age levels of Demircihüyük (*Schalen e2* or *Schüsseln a3*)<sup>24</sup> as well as Beycesultan<sup>25</sup> and Balikesir-Akhisar areas<sup>26</sup>.

#### A4- Bowls with interior-thickened rim (Fig. 15)

The fourth group is the bowl with interior-thickened rim (n° 25 Kınık, 26 Ortaca, 27 Hacikebir, 28 Gecek, 29 Aşağı Söğütünü, 30 Malatça). They are either hemispherical or conical in shape. This type of bowls occurs in Red Washed Ware (ware 2), Plain Ware (Ware 7) and Grey Ware (ware 8). The shape is known in EBA Demircihüyük<sup>27</sup>. There is no parallel in Beycesultan during the Middle Bronze Age. It is attested in the Second millennium material of the Balikesir and Akhisar areas<sup>28</sup>.

#### A5- Bowls with S-profile (Fig. 15)

Bowls with S-profile represent the fifth type. They are generally carinated (n° 31 Malatça, 32 Malatça, 33 Tavşanlı, 34 Yalınli, 35 Tavşanlı, 38 Tavşanlı, 39 Tavşanlı, 36 Haydarlar, 37 Malatça, 40 Gecek) but we also have some examples of simple profile (n° 41 Malatça, 42 Hüyüktepe, 43 İkiz Höyük, 44 Haydarlar). Among this group, there is one example of a shallow flaring bowl with S-profile (n° 40 Gecek). This type of bowl can also boast a loop handle (n° 35 Tavşanlı) with a flat section.

This shape is attested principally in Washed Ware, Red (Ware 2) or Orange (Ware 3), but also in Red/Brown Burnished Ware (ware 4), Plain Ware (ware 7) and Grey Ware (ware 8), This shape is an inheritance of the Early Bronze Age. This shape is also in Beycesultan<sup>29</sup> during the first half of the second millennium where it is called "Bowl with concave

rim". Bowls from Demircihüyük<sup>30</sup> (MBA) and Balikesir and Akhisar areas<sup>31</sup> also show similar profile.

#### A6- Bowls with fluting under the rim (Fig. 15)

The sixth subgroup shows a great variety of rim shape and they have fluting under the rim as a common feature (n° 45 Gecek, 46 Çerkes Çukurhisar II, 47 Tavşanlı, 48 Tavşanlı). The general shape of the bowl seems to be conical. Each sherd occurs in a different ware: Orange Washed ware (ware 3), Red/Brown Burnished Ware (Ware 4), Plain Ware (ware 7) and Grey Ware (ware 8). No parallels for this form have been attested in the Middle Bronze Age of Beycesultan; however, we do have parallels in the Late Bronze Age<sup>32</sup>.

#### A7- Bead rim bowl (Fig. 16-17)

The *bead rim bowl* (7) is one of the most characteristic form of the Middle Bronze Age (n° 49 Güllühöyük, 50 Çerkes Çukurhisar II, 51 Tavşanlı, 52 Yakakayı, 54 Tavşanlı, 55 Bahçehisar, 56 Küllühöyük Seyitgazi, 57 Höyüktepe, 58 Tavşanlı, 59 Demirköy, 60 Bahçehisar, 61 Tavşanlı, 62 Tavşanlı, 63 Malatça, 64 Küllühöyük Seyitgazi, 66 Ortaca, 65 Tavşanlı, 67 Malatça, 68 Bahçehisar, 69 Akpınar, 70 Sağlar, 71 Höyüktepe, 72 Gecek, 73 Tavşanlı, 74 Tavşanlı, 75 Ortaca, 76 Güllühöyük, 77 Çerkes Çukurhisar II, 78 Höyüktepe, 79 Alyamak, 80 Hacikebir, 81 Höyüktepe, 82 Gecek, 83 Yeniköy). It is hemispherical or carinated. We can distinguish several subvarieties. The rim is more or less inverted and embossed. They measure from 10 to 31 cm in diameter. In Beycesultan<sup>33</sup>, this form is considered the most common bowl shape in Levels V, IVc and IVb. This shape can also boast a horizontal handle. The sherd of our corpus lost its handle but kept the negative mark of a horizontal handle (n° 74 Tavşanlı). Several bowls present relief ornament under the rim, in shape of "moustache". The same kind of relief decoration are attested in Beycesultan<sup>34</sup> and Boğazköy<sup>35</sup>. One bowl presents a knob on its shoulder (n° 51 Tavşanlı). The bead rim bowl appears in all ware groups, except the Coarse Ware (Ware 9). This shape is an inheritance

24) Kull 1988: 143.

25) Lloyd and Mellaart 1965: Beycesultan IVc: Fig. 13: 4-5, 8-10.

26) French 1969: Fig. 18: 11-13 (Egriköy), Fig.19: 17 (Tekeliler).

27) Efe 1988: EBA: Tafel 49: Phase P: 1.

28) French 1969: Fig. 18: 5 (Kenez I).

29) Lloyd and Mellaart 1965: 83, 103, 118, Fig. P.4: 3, Fig. P.14: 2-4, Fig. P.25: 11, 21, Fig. P.32: 9.

30) Kull 1988: Schalen b5 or Schüsseln g, 143.

31) French 1969: Fig 15: 24 (Pamukcu), Fig. 17: 13 (Egriköy), Fig. 19: 8 (Kenez I).

32) Mellaart and Murray 1995: level Ib: Fig. P.147: 18, 21.

33) Lloyd and Mellaart 1965: 82, 101, 118, 128.

34) Lloyd and Mellaart 1965: Fig. P.12 : 1-3, 5, 6, 9.

35) Orthmann 1963: Tafel 8: n° 20-21.

of the Early Bronze Age. It is recorded in particular at Demircihüyük<sup>36</sup>. It also occurs in the Demircihüyük Middle Bronze Age layers (*Schüssel*)<sup>37</sup>, Beycesultan, Balıkesir and Akhisar areas<sup>38</sup>.

*A8- Bowls with flattened bead rim (hemispherical or carinated)* (Fig. 17-18)

During the Second millennium, the bead rim tends to be flattened (n° **84** Bahçehisar, **85** Kocahöyük, **86** Tavşanlı, **87** Tavşanlı, **88** Tavşanlı, **89** Yakakayı, **90** Tavşanlı, **91** Hüyüktepe, **92** Tavşanlı, **93** Çerkes Çukurhisar II, **94** Tavşanlı, **95** Hacikebir, **96** Hüyüktepe, **97** Oluklu Höyük, **98** Aşağı Söğütünü I, **99** Küllühöyük Seyitgazi, **100** İkiiz Höyük, **103** Gecek, **105** Çayır Höyük, **108** Tavşanlı, **109** Hacikebir, **110** Bahçehisar, **111** Alyamak, **112** Kocahöyük, **113** Güllühöyük, **114** Yakakayı, **117** Erenköy I). This is one of the commonest shape. These bowls can be hemispherical or carinated. One sherd boasts a horizontal handle (n° **117**). They measure between 9 and 32 cm in diameter. This shape can be decorated with horizontal burnishing stripes on the interior (n° **95**) or on the exterior (n° **115**). There is one example of relief ornament (Knobs) on the rim (n° **108** Tavşanlı). This shape occurs in all ware type, except the Demirköy ware (ware 6). The carinated bowls with flattened bead rim are best paralleled at Demircihüyük<sup>39</sup> (*Schüssel* d1). This type is also attested during the Middle Bronze Age in Beycesultan<sup>40</sup> and in Balıkesir and Akhisar areas<sup>41</sup>.

*A9- Simple bowls with T-shaped rim* (Fig. 19)

The *simple bowls with T-shaped rim* (9) can be carinated (n° **120** Ortaca) or hemispherical (n° **122** Malatça, **123** (Tavşanlı)). This shape occurs in Fine Red Slipped Ware (ware 1), in Red and Orange washed ware (ware 2, 3) and in Plain ware (ware 7). A somewhat similar profile is noted from Demircihüyük<sup>42</sup> and Beycesultan<sup>43</sup>.

*A10- Carinated bowl with overhanging rim* (Fig. 19)

The 10<sup>th</sup> group is a special kind of carinated bowl characterized by its overhanging rim (n° **124** Killi Höyük, **125** Hacikebir, **126** Küllühöyük, **127** Erenköy, **128** Osmaniye, **129** Küllühöyük, **130** Hüyüktepe). In our corpus, this shape occurs essentially in Red Washed Ware (ware 2), but we also have examples of Cream Slipped Ware (ware 5), Demirköy ware (ware 6) and Plain Ware (ware 7). This type appears in Beycesultan in Level IVa<sup>44</sup> (Middle Bronze Age) and continues through the Late Bronze Age. It is also known from Demircihüyük MBA<sup>45</sup>.

*A11- Carinated bowls with broad flat-topped rim* (Fig. 19)

Form A11 is a carinated bowl with broad flat-topped rim. This shape occurs in Red and Orange Washed Ware (ware 2 and 3). This is one of the characteristic shape of the beginning of the Middle Bronze Age. This type of bowl is also known from Beycesultan where it appears in Level V<sup>46</sup> (n° **131** Beşkarış, **132** Hacikebir).

*A12- Bowls with various thickened-rim shape* (Fig. 19)

This group includes bowls with various thickened rim shapes (n° **133** Hüyüktepe, **134** Ortaca, **135** Ortaca, **136** Akpınar). It includes large bowls measuring between 20 and 34 cm in diameter. This shape is recognized in Red/Brown Burnished Ware (ware 4), Cream Slipped Ware (ware 5) and Plain Ware (ware 7). Bowls with similar profile (n° **136** and **134**) are recorded at Demircihüyük<sup>47</sup>.

36) Efe 1994: Fig. 15: 59.

37) Kull 1988: 145.

38) French 1967: Fig.18: 41 (Pazaryeri I), French 1969: Fig. 15: 27 (Kennez I).

39) Kull 1988: 145.

40) Lloyd and Mellaart 1965: Fig. P.1: 1, 3, 15; Fig. P.12: 4, Fig. 24: 7.

41) French 1967: Fig. 18: 40 (Pazaryeri I); French 1969: Fig. 15: 20, 23 (Pamukcu), Fig. 16: 2-5 (Eğriköy), 17 (Pamukcu), 31 (Sındırgı).

42) Kull 1998: Tafel 14: n° 11.

43) Lloyd and Mellaart 1988: Fig. p.16: n°8.

44) Lloyd and Mellaart 1965: 129, Fig. P.32: 1-4.

45) Kull 1988: *Schalen* g3, p.142, Tafel 9: N° 18; Taf. 28: n° 11; Tafel 30: n° 8.

46) Lloyd and Mellaart 1965: 83, Fig. 3: 21-27.

47) Kull 1988: Tafel 26: n° 19.

## Dishes

The second category of vessel are the dishes. We distinguished three different types.

### B1 - Dishes with simple profile (Fig. 20)

We distinguish this type from the bowl with simple profile (A1), due to its shallow shape (n° 137 Tavşanlı, 138 Tavşanlı). In our corpus, it appears only in Plain Ware (ware 7). Comparable examples are recorded in Demircihüyük (*Schalen a1*)<sup>48</sup>.

### B2 - Dishes with interior-thickened rim (Fig. 20)

The second type is characterized by an interior-thickened rim (n° 139 Tavşanlı, 140 Tavşanlı, 142 Suluhöyük 141 Beşkarış, 143 Beşkarış, 144 Kızılcaköy). This type measure between 20 and 30 cm in diameter. The rim is more or less inverted. This type of dish occurs in Fine Red Slipped Ware (ware 1), Orange Washed Ware (ware 3) and Plain Ware (ware 7). Comparable examples are recorded in Middle Bronze Age Demircihüyük<sup>49</sup>.

### B3- Dishes with T-shape rim (Fig. 20)

The third and last type of dishes is the one which present a T-shape rim. The diameter of these dishes varie between 20 and 30 cm (n° 145 Karacahüyük, 146 Yakakayı, 147 Ortaca, 148 Köprübaşı, 149 Haydarlar, 150 Çerkes Çukurhisar, 151 Yalınlı). This shape was found in Fine Red Slipped Ware (ware 1), Orange Washed Ware (ware 3) and Plain Ware (ware 7).

## Pots

### C1 - Pots with bead rim (Fig. 21)

The pots with bead rim are quite common. The profiles of this form are almost straight (n° 153 Ortaca, 154 Gecek, 156 Hacikebir, 163 Hacikebir, 165 Bahçehisar, 166 Çayır Höyük, 168 Güllühöyük), or slightly hemispherical (n° 152 Höyüktepe, 155 Tavşanlı, 157 Tavşanlı, 158 Erenköy I, 159 Sağlar, 160 Bahçecik, 162 Erenköy I, 164 Tavşanlı, 167 Kızılcaköy). The bead rim is more or less pronounced. Our examples measured between 18 and 30 of rim diameter. This kind of pot occur mainly in washed

Ware, Red or Orange Washed Wares (wares 2 and 3), but also in Red/Brown Burnished Ware (ware 4), in Fine Red Slipped Ware (Ware 1) and in Plain Ware (ware 7).

### C2- Globular pots including cooking pots (Fig. 22)

The globular cooking pot presents a different kind of rim: thickened (n° 174 Çiftlik), flat rim (n° 170 Yakakayı), everted slightly or sharply (n° 169 Bahçecik, 175 Beşkarış, 173 Tavşanlı, 176 Tavşanlı). Cooking pots often present a horizontal grip on the upper part of the body, next to the rim. The grip is crescent-shaped. The cooking pots are obviously represented in coarse ware (ware 9). The other globular pots occurs in Fine Red and Brown Slipped Ware (Ware a), in Red Washed Ware (ware 2) and in Plain Ware (ware 7). The globular cooking pot with crescent grip is best paralleled in Middle Bronze Age of Demircihüyük<sup>50</sup>. Globular pots with interior-thickened rim resembling our sherd n° 172 (Hacikebir) was found at Demircihüyük (*Grösse Töpfe b*)<sup>51</sup>.

### C3- Globular pots and pithoi with outturning rims (Fig. 23)

Profiles of these globular pots show many variations, especially in the rim shape, the sharpness of angle and the height of rim (n° 179 Gecek, 181 Tavşanlı, 182 Subak, 183 Parmakören, 184 Ilıcabaşı, 185 Tavşanlı, 186 Bahçehisar, 187 Hacikebir, 188 Demirköy, 189 Malatça). The globular pots with outturning rim generally occur in Red or Orange Washed Ware (ware 2 and 3), or in Plain Ware (Ware 7). There is one example in Red/Brown Burnished Ware (ware 4).

Comparable examples of globular pots are recorded in Demircihüyük<sup>52</sup>.

There is one example of *pithos* with sharp outturning rim (n° 190 Demirköy) in Demirköy Ware (ware 6). A somehow similar form is noted from Demircihüyük<sup>53</sup>.

## Jug

### D1- Trefoil-mouthed jug (Fig. 24)

We have four sherds from the neck parts of trefoil-mouthed jugs (n° 191 Erenköy, 192 Tavşanlı,

48) Kull 1988: 140, Tafel 27: n° 2.

49) Kull 1988: Tafel 28: n° 6.

50) Kull 1988: Tafel 2: n° 5; Tafel 8: n° 12.

51) Kull 1988: *Grösse Töpfe b*: 155.

52) Kull 1988: *Grösse Töpfe c1-3*: 155-156.

53) Kull 1988: *Pithosform a2*: 152-153.

**193** Tavşanlı, **194** Karacahöyük). It occurs in Red Washed Ware (Ware 2), Orange Washed Ware (Ware 3) or Red/Brown Burnished Ware (Ware 4). This shape is an inheritance of the EBA III. This type was found in Demircihöyük<sup>54</sup>.

*D2- Elongated and pointed beak- spouted jug (Schnabelkanne)* (Fig. 24)

The shape appears for the first time in Central and inland Western Anatolia during the Late EB III period (Transitional Period into the Middle Bronze Age) and becomes the most popular jug form during the Middle and Late Bronze Ages in the region<sup>55</sup> and beyond<sup>56</sup>. The shape has also large-sized examples called “*Pithosschnabelkanne*”<sup>57</sup>. We have here pieces from the necks and spouts (n° **196** Tavşanlı, **197** Tavşanlı, **195** Tavşanlı).

N° **198** from Hacikebir is a cutaway spout piece. Two examples catalogued here (n° **196** and n° **195**) boast a flat handle. The sherd n° **196** has a relief decoration (knobs) on both side of its beak spout. This kind of decoration is also well attested at Demircihöyük<sup>58</sup>. One example (n° **196** Tavşanlı) is preserved down to the beginning of the shoulder, showing that it is slightly flaring. The five sherds are represented by five different wares: Fine Red Slipped Ware (Ware 1), Red Washed Ware (ware 2), Orange Washed Ware (Ware 3), Red/Brown Burnished Ware (ware 4) and Plain Ware (ware 7).

*D3- Jug necks* (Fig. 24)

The third group is represented by jugs characterized by a narrow cylindrical neck. We can distinguish different rim profiles: outturning (n° **200** Parmakören, **201** Tavşanlı, **202** Ortaca, **203** Tavşanlı, **204** Tavşanlı, **205** Tavşanlı, **206** Ortaca, **208** Külhöyük, **211** Tavşanlı), with thickened rim (n° **209** Ortaca, **210** Köprübaşı, **211** Tavşanlı), with sloping rim (n° **207** Bahçecik). Sherd n° **208** has a round-sectioned handle which is attached to the rim. This shape is represented by several wares: Fine Red Slipped Ware and Brown Slipped Ware (Ware 1), Orange Washed Ware (ware 3), Red/Brown Slipped Ware (Ware 4), Cream Slipped Ware (Ware 5) and Plain Ware (Ware 7).

**Funnel** (Fig. 25)

The lower part is completely missing (n° **212** Tavşanlı); however, the complete profile can be reconstructed from the analogous example recorded at Beycesultan<sup>59</sup>. This shape represented by Red Washed Ware (ware 2) appears in Beycesultan in Level IVC.

**Small pots** (Fig. 25)

Two sherds from small pots (n° **213** Hacikebir, **214** Hüyüktepe) have been classified under a separate group. They have a globular body with small rim diameter and are represented by Fine Red Slipped Ware (Ware 1) and Plain Ware (Ware 7).

**Cups/goblets or miniatures (?)** (Fig. 25)

Six sherds could belong to cups/goblets or miniature vessels. They are characterized by a very thin rim and a small size (under 11 cm in diameter). Since we only have the upper portions of these vessels, we don't know what kind of a base they have. Generally, the upper part is in the form of a carinated bowl.

The sherds of our corpus show various profile: simple rim (n° **217** Tavşanlı, **216** Tavşanlı, **215** Tavşanlı), bead rim (n° **218** Ortaca), overhung rim (n° **219** Tavşanlı) and everted rim (n° **220** Bahçecik). This cup/goblets occurs in Fine Red Slipped Ware (ware 1), in Red and Orange Washed Wares (wares 2 and 3).

**Pedestal pieces**

6 sherds of pedestal pieces have been recorded. N° **221** and **225** are solid inside. On the contrary, n° **222**, **223**, **224**, **226** have a hole in the middle. The sherds all come from the pedestal part. So we don't know what kind of an upper part they have. Three pieces present ornamentation on the pedestal sections. It can be horizontal grooves (n° **224**, **226**) or a single horizontal relief band all around the pedestal (n° **225**). These pedestal pieces have been found in Red Washed Ware (ware 2), Red/Brown Burnished Ware (ware 4) and Plain Ware (Ware 7). This kind of elongated pedestal is a hallmark of the Late Bronze Age. This shape defined as “fruitstand” in

54) Kull 1988: *Krüge* b, Tafel 11: n° 12-13; Tafel 23: n° 5.

55) Lloyd and Mellaart 1965: Level 5: p. 86-87, Fig. P. 6: 12-17; Level IVc: p. 105-106, Fig. P. 17: 1-8; Level IVb: p. 119, Fig. P. 28.

56) Kültepe, *Karum* II and Ib.

57) Bittel 1983: Fig. 15, 16.

58) Kull 1988: Tafel 22: n° 2; Tafel 29: n° 1; Tafel 32: n° 24.

59) Lloyd and Mellaart 1965: 117, Fig. P. 16: 26

the Beycesultan publication, appears in Level III and it is abundant in the succeeding two levels<sup>60</sup>.

### Bases (Fig. 25)

Three different type of base have been recorded. The gently rounded bases (n° 227 Tavşanlı), the flat bases (n° 231 Güllühöyük, 232 Tavşanlı, 230 Tavşanlı, 229 Tavşanlı, 228 Tavşanlı) and the ring bases (n° 236 Akin, 234 Tavşanlı, 233 Tavşanlı, 235 Yakakayı). Sherd n° 231 is a typical string-cut base.

### Miscellaneous (Fig. 26)

The sherd n° 237 (Hacıkebir) is from a tea pot. A pot from Beycesultan (Level III) shows a comparable profile<sup>61</sup>. N° 239 (Tavşanlı) is a sherd of a foot from a zoomorphic vessel.

N° 238 (Tavşanlı): Teapot.

N° 240 (Seyitgazi-Küllühöyük): Handle.

N° 241 (Tavşanlı): base, sieve.

### ORNAMENT (Fig. 13, 26)

Decoration on the pottery is quite sparse in our corpus. Certain pieces have relief decoration either in knobs (n° 51, 108) or in “moustache” motif (n° 65, 67, 72). The motif on one piece is undetermined (n° 86). The incision/grooving is executed in chevrons, zigzag or straight lines (n° 243, 242, 167). Pattern burnishing is also attested (n° 125, 95, 115, 167, 21, 184). Most of the decorated pieces are only wall sherds which do not permit the identification of the shapes of the vessels. Knobs are situated on the exterior and on or under the rim. The “moustache motif” is always applied on the body, just under the rim (n° 56, 65, 67, 72). The pattern-burnished motives (Fig. 13) can be on the exterior (n° 115, 246) or on both the inside and outside (n° 125). Different designs are attested, such as horizontal strips of various sizes, vertical lines or strokes and chevrons (n° 245).

### CONCLUDING REMARKS

The research demonstrates that the plains of Upper Sakarya, Eskişehir and Örencik-Altıntaş in the survey area were densely settled during the Second Millennium B.C. The mountainous areas



Fig. 13 : Sherds with pattern burnishing.

which separate these plains and the rough terrain of the Bilecik province appear to have been rather much less populated. About half of the *höyüks* are not occupied in the Second Millennium B.C. And almost all of the sites of this timespan were already settled during the EBA<sup>62</sup>. We can estimate that, on many of these *höyüks*, the habitation continues uninterrupted from the EBA into the MBA. New flat settlements are few. From all the above we can conclude that the Second Millennium sites in the region decreased in number and the ratio of the large-sized settlements increased in return, most probably due to the gradual development of urbanism. Thus, the settlement distribution pattern appears, more-or-less, to have continued from the previous period.

The sizes of the settlements range between 0.5-30 ha. Out of a total 89 Second Millennium sites 7 belong to category 1, another 7 to category 2. Category 3 constitutes more than half of the sites (50) and category 4 has 25 sites coming second in the number of sites. Different varieties in sizes of settlements reveal the presence of a hierarchical structuring among them. It is quite probable that those major settlements, some of which – such as Yakakayı, Karapazar and Tavşanlı – have lower settlements as well, acted as political as well as trade centers within the area. Unfortunately, the interaction between these different settlement types remains quite enigmatic, at our present stage of knowledge. The actual status (city, large village) of these large settlements remains unsolved. As the chart of periodization of survey sites (Table 1) shows clearly<sup>63</sup>,

60) Lloyd and Murray 1995: level III: p. 3, Fig. P.1: 13, 23-24, p. 2 : 1-7; Level II : Fig. P.10-11; Level I: Fig. P.30.

61) Lloyd and Mellaart 1965: Level IVc: Fig. P.20: n° 9. They called it ‘feeding bottle’.

62) Efe 1990; 1995.

63) The mounds without EBA in the chart are the ones which didn’t deliver EBA material during the survey. It doesn’t necessarily mean they don’t have EBA. We can surmise that almost all of them have EBA deposits as well.

these major sites with smaller settlements around them were already present during the EBA or even earlier in the Late Chalcolithic period. Continuation of habitation on many of the mounds around them can be taken as proof that the hierarchical structuring in the region continued without much change into the Second Millennium. This supports the premise that western Anatolian EBA local kingdoms eventually developed into political entities called “Hittite lands” during the course of the Second Millennium B.C.<sup>64</sup>. Now, only the excavation of major multiperiod sites like Porsuk II, Kayıköy, Bahçehisar, Tavşanlı or Hacıkebir, will allow for precision regarding the chronological sequences, regional differences in material culture and to witness the formative stage of the urban process throughout the Bronze Ages in the region.

The Late EB III pottery (The Transitional Pottery into the MBA) in the area from which the Second Millennium pottery developed has lately been investigated at Küllüoba<sup>65</sup>. The last phase (IIA) might already be dated to the beginning of the Central Anatolian Colony Period. This period could not yet be clearly defined in inland western Anatolia. Most likely, certain well burnished delicate pottery collected from the surface of Bahçehisar might also belong to this period.

Three sites have so far been investigated in the research area in terms of the Middle and Late Bronze Ages: Demircihüyük, Şarhöyük and Seyitömer Höyük. The completely excavated MBA level (IV) at Seyitömer has given us a valuable information on the architecture and different material groups of the period. It has not yet been adequately published however. Demircihüyük MBA with four phases (I-IV) was investigated only in a limited area. Second Millennium pottery of Şarhöyük has also not yet been published. Since we here mainly rely upon the surface material, it is not possible to make a detailed analysis of the Second Millennium pottery of the region in terms of its development, local characteristics

and interrelations with those of neighbouring regions.

We can speak of two different pottery distribution areas in the research area: area 1 encompasses roughly the Eskişehir and Kütahya provinces (sub-regions I-IV) and area 2 the Bilecik Province (sub-region V). The pottery of the first area display a parallel development to that of Central Anatolia from the Late EB III (Transitional Period into the MBA) onwards, although the pottery groups of both regions exhibit certain differences in wares, forms and stylistic features. The pottery of Altıntaş-Örencik Plains/Sub-region III, due to its geographical position, has also certain common characteristics with the Beycesultan type of pottery distributed roughly in the Uşak and Denizli provinces. The area 2 (Bilecik Province) appears to be bonded culturally with İznik-İnegöl areas in the west. The Gray Ware of this area is also attested in the northern Kütahya province (Sub-region IV) as an intrusion. Such pottery particularly characterised by its bowls with horizontal handles on the rim (with or without low pedestals) has lately been recovered at Seyitömer Höyük MBA levels.

This study clearly demonstrates the archaeological potential of the area in the Second Millennium B.C. We need excavations especially on the large-sized mounds in each of the sub-regions to assess and evaluate the issues concerning the Second Millennium of inland western Anatolia from a broader perspective.

#### ACKNOWLEDGEMENTS

We would like to thank the General Directorate of Antiquities and Museums of Turkey for granting the necessary permit, thus making this survey possible. Our thanks also go to the directors and stuffs of the Eskişehir, Kütahya and Bilecik Museums, government representatives and the team members of each year.

T.E. and B.P.

64) Efe 2003a: 92-96; 2004.

65) Efe and Türkteki 2005. This pottery has been the subject of a dissertation by Fatma Şahin (Şahin 2013).

## BIBLIOGRAPHY

Abay, E., 2011: "Preliminary report on the survey project of Çivril, Baklan and Çal Plains in the upper meander basin, Southwest Anatolia", *ANES* 48: 1-87.

Aydın, A.N., 1987: "Eskişehir Müzesi'nce Yürütülen Yıllık Hüyük Kazısı", *Eski Eserler ve Müzeler Bülteni* 9: 32-34.

Bilgen, A.N., 2005: *Çavlum. Eskişehir Alpu Ovası'nda bir Orta Tunç Çağı Mezarlığı*, Eskişehir.

– 2006: "2004 Yılı Midaion/Karahöyük Yüzev Araştırması", *AST* 23: 403-408.

– 2007: "Midaion/Karahöyük'de Tunç Çağı Bulguları", in Öztepe, E. and Kadıoğlu, M. (eds.), *Patronvs. Coşkun Özgünel'e 65. Yaş Armağamı*, İstanbul: 111-112.

– 2013: "IV. Tabaka (Orta Tunç Çağı)", *Seyitömer Höyük Kazısı Ön Raporu (2011-2012)*, Kütahya: 25-84.

Bilgen, A.N. and Bilgen, Z., 2015: "Orta Tunç Çağı Yerleşimi (IV. Tabaka)", in Bilgen, S. (ed.), *Seyitömer Höyük I*, İstanbul: 61-118.

Bittel, K., 1983: *Hattuscha. Hauptstadt der Hethiter*, Köln.

Blegen, C.W., Caskey, J.L. and Rawson, M., 1951: *Troy II. The Third, Fourth, and Fifth settlements*, Princeton.

Burney, C., 1956: "Northern Anatolia Before Classical Times", *Anatolian Studies* 6: 179-203.

Darga, M., 2004: "Şarhöyük-Dorylaion (Eskişehir) Kazılarında Hitit Buluntuları (1989-2003)", in Korkut, T. (ed.), *Anadolu'da Doğdu. Festschrift für Fahri Işık zum 60. Geburtstag*, İstanbul: 269-283.

Darkot, B. and Tuncel, M., 1978: *Ege Bölgesi Coğrafyası*, İstanbul.

Dedeoğlu, F., 2008: "Cultural transformation and settlement system of Southwestern Anatolia from Neolithic to LBA: A case study from Denizli/Çivril Plain", *Proceedings of the 5<sup>th</sup> International Congress on the Archaeology of the Ancient Near East*, Madrid: 587-601.

Efe, T., 1988: *Demircihüyük III, 2. Die Keramik. 2 C: Die Frühbronzezeitliche Keramik der Jüngerer Phasen (ab Phase H)*, Mainz am Rhein.

– 1990a: "Three Early Sites in the Vicinity of Eskişehir: Asmainler, Kalıntaş and Kes Kaya", *Anatolica* 16: 31-60.

– 1990b: "1988 Yılında Kütahya, Bilecik ve Eskişehir İllerinde Yapılan Yüzev Araştırmaları", *AST* 7: 405-424.

– 1990c: "1988 Yılında Kütahya, Bilecik ve Eskişehir İllerinde Yapılan Yüzev Araştırmaları", *Anadolu Araştırmaları* 12: 1-19.

– 1991: "1989 Yılında Kütahya, Bilecik ve Eskişehir İllerinde Yapılan Yüzev Araştırmaları", *AST* 8: 163-177.

– 1992: "1990 Yılında Kütahya, Bilecik ve Eskişehir İllerinde Yapılan Yüzev Araştırmaları", *AST* 9: 561-583.

– 1993a: "Chacolithic Pottery from the Mounds of Aslanapa (Kütahya) and Kınık (Bilecik)", *Anatolica* 19: 20-31.

– 1993b: "1991 Yılında Kütahya, Bilecik ve Eskişehir İllerinde Yapılan Yüzev Araştırmaları", *AST* 10: 345-364.

– 1994a: "Early Bronze Age III Pottery from Bahçe-hisar: The Significance of the Pre-Hittite Sequence in the Eskişehir Plain, Northwestern Anatolia", *American Journal of Archaeology* 98: 5-34.

– 1994b: "1992 Yılında Kütahya, Bilecik ve Eskişehir İllerinde Yapılan Yüzev Araştırmaları", *AST* 11: 571-592.

– 1994c: "Eskişehir Yöresindeki Bazı Höyüklerde Saptanmış Olan İlk Tunç Çağı'na Geçiş Evresi Çanak Çömleği", *Anadolu Araştırmaları* 13: 17-46.

– 1995: "1993 Yılında Kütahya, Bilecik ve Eskişehir İllerinde Yapılan Yüzev Araştırmaları", *AST* 12: 245-266.

– 1996a: "1994 Yılında Kütahya, Bilecik ve Eskişehir İllerinde Yapılan Yüzev Araştırmaları", *AST* 13: 131-152.

– 1996b: "Orman Fidanlığı'nda 1992-1994 Yılları arasında Yapılan Kurtarma Kazıları", *KST* 17: 95-107.

– 1997: "1995 Yılında Kütahya, Bilecik ve Eskişehir İllerinde Yapılan Yüzev Araştırmaları", *AST* 14: 215-232.

– 1999: "Orman Fidanlığı Kurtarma Kazıları: 1992-1994 Yılları Arasında Yapılan Çalışmalar", *Anadolu Araştırmaları* 15: 73-104.

– 2000: "Kütahya, Bilecik ve Eskişehir İlleri Yüzev Araştırmaları ve Orman Fidanlığı Kurtarma Kazıları", in Belli, O. (ed.), *Türkiye Arkeolojisi ve İstanbul Üniversitesi*, İstanbul: 103-109.

– 2003a: "Pottery Distribution within the Early Bronze Age of Western Anatolia and its Implications upon Cultural, Political (and Ethnic) Entities", in Özbaşaran, M., Tanındı, O. and Boratav, A. (eds.), *Archaeological Essays in Honour of Homo amatus: Güven Arsebük İçin Armağan Yazılar*, Ege Yayınları, İstanbul: 87-103.

– 2003b: "Küllüoba and the Initial Stages of Urbanism in Western Anatolia", in Özdoğan, M., Hauptmann, H. and Başgelen, N. (eds.), *From villages to cities: Early villages in the Near East. Studies presented to U. Esin*, vol. I, İstanbul: 265-282.

– 2004: "Kültür Gruplarından Krallıklara: Batı Anadolu'nun Tarihöncesi Kültürel ve Siyasal Gelişim Profili", *Colloquium Anatolicum* III: 15-30.

Efe, T., Topbaş, A. and İlaşlı, A., 1995: "Salvage Excavations of the Afyon Archaeological Museum, Part I: Kaklık Mevkii, A Site Transitional to the Early Bronze Age". *Studia Troica* 5: 357-399.

Efe, T. and Türteki, M., 2005: "The stratigraphy and pottery of the Period Transitional into the Middle Bronze Age at Küllüoba (Seyitgazi, Eskişehir)", *Anatolia Antiqua* XIII: 119-144.

Efe, T., Türteki, M., Sarı, D. and Fidan, E., 2014: "Bilecik İli, 2013 Yılı Yüzev Araştırması", *AST* 32: 495-504.

Emre, K., 1978: *Yanarlar. A. Hittite Cemetery near Afyon*, Türk Tarih Kurumu, Ankara.

French, D.H., 1961: "Late Chalcolithic Pottery in North-West Turkey and the Aegean", *Anatolian Studies* 11: 99-141.

– 1967: "Prehistoric Sites in Northwest Anatolia I. The Iznik Area", *Anatolian Studies* 17: 49-100.

– 1969: "Prehistoric Sites in Northwest Anatolia II. The Balıkesir and Akhisar/Manisa Area", *Anatolian Studies* 17: 41-98.

Gunter, A., 1991: *The Gordion Excavations Final Reports, Volume III: The Bronze Age*, University Museum Monograph 71, University Museum, Philadelphia.

Koerte, A., 1899: "Ein Altphrygischer Tumulus bei Bos-oyuk, Lamunia", *Athenische Mitteilungen* 24: 1-45.

Kull, B. 1988: *Demircihüyük: Die Ergebnisse der Ausgrabungen 1975-1978*. Vol. V. Die Mittelbronzezeitliche Siedlung, Mainz am Rhein.

Lloyd, S. and Mellaart, J., 1962: *Beycesultan I: The Chalcolithic and the Early Bronze Age Levels*, British Institute of Archaeology at Ankara 6, Ankara, London.

– 1965: *Beycesultan II: Middle Bronze Age Architecture and Pottery*, British Institute of Archaeology at Ankara 8, Ankara, London.

Massa, M., 2014: "Early Bronze Age burial customs on the central Anatolian plateau: a view from Demircihöyük-Sarıket", *Anatolian Studies* 64: 73-93.

Mellaart, J. 1955: "Some Prehistoric Sites in Northwestern Anatolia", *Istanbul Mitteilungen* 6: 53-88.

– 1967: "Anatolia Before c. 4000 BC and c. 2300-1750 BC", *Cambridge Ancient History* 2 I, VII: 3-27.

Mellaart, J. and Murray, A., 1995: *Beycesultan III: Late Bronze Age and Phrygian Pottery and middle and Late Bronze Age small objects*, British Institute of Archaeology at Ankara 12, Ankara, London.

Orthmann, W., 1963: *Die Keramik der frühen Bronzezeit aus Inneranatolien*, Istanbul Forschungen Band 24, Berlin.

Sarı, D. 2009: "Late EB II Pottery recovered in Complex II of Küllioba", *Anatolia Antiqua* XVII: 89-132.

– 2013: "Bronze Age Höyüks and Iron Age", in Philipp Niewöhner *et al.*, "Bronze Age Höyüks, Iron Age Hilltop Forts, Roman Poleis and Byzantine Pilgrimage in Germia and its Vicinity. 'Connectivity' and a Lack of 'definite Places' on the Central Anatolian High Plateau", *Anatolian Studies* 63: 100-101.

Sivas, T. and Darga, A.M., 2000: "Şarhöyük-Dorylaion Çalışmaları 1997-1998", *Anadolu Üniversitesi Edebiyat Fakültesi Yayınları* 1-2: 97-127.

Sivas, T.T. and Sivas, H., 2002: "Eskişehir- Kütahya-Afyonkarahisar İlleri 2001 Yılı Yüzey Araştırması", *AST* 20: 285-298.

– 2003: "Eskişehir, Kütahya, Afyonkarahisar İlleri 2002 Yılı Yüzey Araştırması", *AST* 21: 155-166.

– 2004: "Eskişehir, Kütahya, Afyonkarahisar İlleri 2003 Yılı Yüzey Araştırması", *AST* 22: 155-166.

– 2005: "Eskişehir, Kütahya, Afyonkarahisar İlleri 2004 Yılı Yüzey Araştırması", *AST* 23: 163-174.

Şahin F., 2013: *Küllüoba Höyüğü Orta Tunç Çağı'na Geçiş Dönemi (Übergansperiode): Mimari ve Çanak Çömlek*, İstanbul Üniversitesi, Protohistorya ve Önasya Arkeolojisi Anabilim Dalı (Unpublished dissertation).

Üyümez, M., Koçak, Ö., İlaslı, A., Çay, T. and İşcan, F., 2007: "Afyonkarahisar'ın Doğusunda Önemli Bir Orta Tunç Çağı Nekropolü: Dede Mezarı", *Belleten* 262: 811-84.



## CATALOGUE OF ILLUSTRATED POTTERY

**A1 - Bowls with simple profile**

**1 Tavşanlı (81).** Bowl with simple profile. Orange Washed Ware. Brown slipped surface. Orange biscuit with mica inclusion.

**2 Tavşanlı (81).** Bowl with simple profile. Light brown Washed Ware. Reddish-brown biscuit.

**A2 - Bowls with incurving rim**

**3 Ortaca (69).** Bowl with incurving rim. Plain Ware.

**Tavşanlı (81).** Bowl with incurving rim. Orange Washed Ware. Mat burnished. Light brown biscuit (Fig. 5).

**5 Tavşanlı (81).** Bowl with incurving rim and loop handle from the rim. Fine Red Slipped Ware. Brown biscuit (Fig. 4).

**6 Tavşanlı (81).** Bowl with incurving rim. Plain Ware. Black biscuit.

**7 Tavşanlı (81).** Bowl with incurving rim. Red Slipped Ware. Black biscuit.

**8 Tavşanlı (81).** Bowl with incurving rim. Plain Ware. Orange biscuit.

**9 Tavşanlı (81).** Bowl with incurving rim and vertical handle. Orange Washed Ware. Brown biscuit.

**10 Yıllık (88).** Bowl with incurving rim. Plain Ware.

**A3 - Carinated bowls**

**11 Hüyüktepe (78).** Carinated bowl. Red Washed Ware. Red biscuit.

**12 Aşağı Söğütünü I (47).** Carinated bowl. Plain Ware. Bicolor biscuit: black inside and red outside.

**13 Güllühöyük (13).** Carinated bowl with one vertical handle. Fine Red Slipped Ware.

**14 Ortaca (69).** Carinated bowl. Red Washed Ware. Red-brown slipped surface. Black biscuit.

**15 Ortaca (69).** Carinated bowl. Fine Red Slipped Ware. Interior has no slip. Bicolor biscuit. Black inside and red outside.

**16 Gecek (62).** Carinated bowl. Red/Brown Burnished Ware. Red biscuit.

**17 Karacahöyük (42).** Carinated bowl. Plain Ware. Beige biscuit with mica inclusion.

**18 Tavşanlı (81).** Dish with simple profile. Orange Washed Ware. Light brown biscuit.

**19 İkizhöyük (75).** Carinated bowl. Red/Brown Washed Ware. Light brown biscuit.

**20 Küllühöyük-Seyitgazi I (19).** Carinated bowl. Plain Ware.

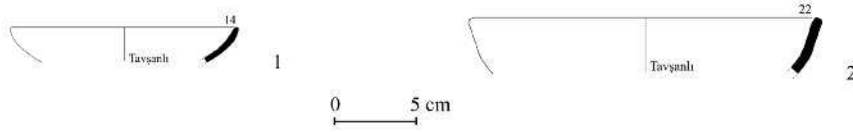
**21 Çiftlik Hüyük (45).** Carinated bowl. Red Washed Ware. Radial pattern burnishing on interior.

**22 Küllühöyük-Seyitgazi I (19).** Carinated bowl. Orange Washed Ware. Washed pattern on exterior, pattern-burnished vertical strokes on both surface. Bicolor biscuit: grey inside and orange outside.

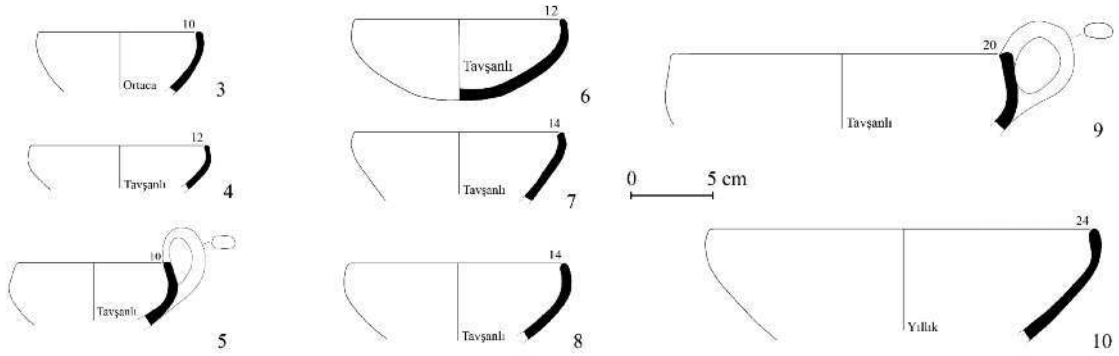
**23 Beşkarış (60).** Carinated bowl. Plain Ware. Mottled with black stain. Red brown biscuit. Micaceous.

**24 Alyamak Höyük (43).** Carinated bowl. Plain Ware. Micaceous (Fig. 10).

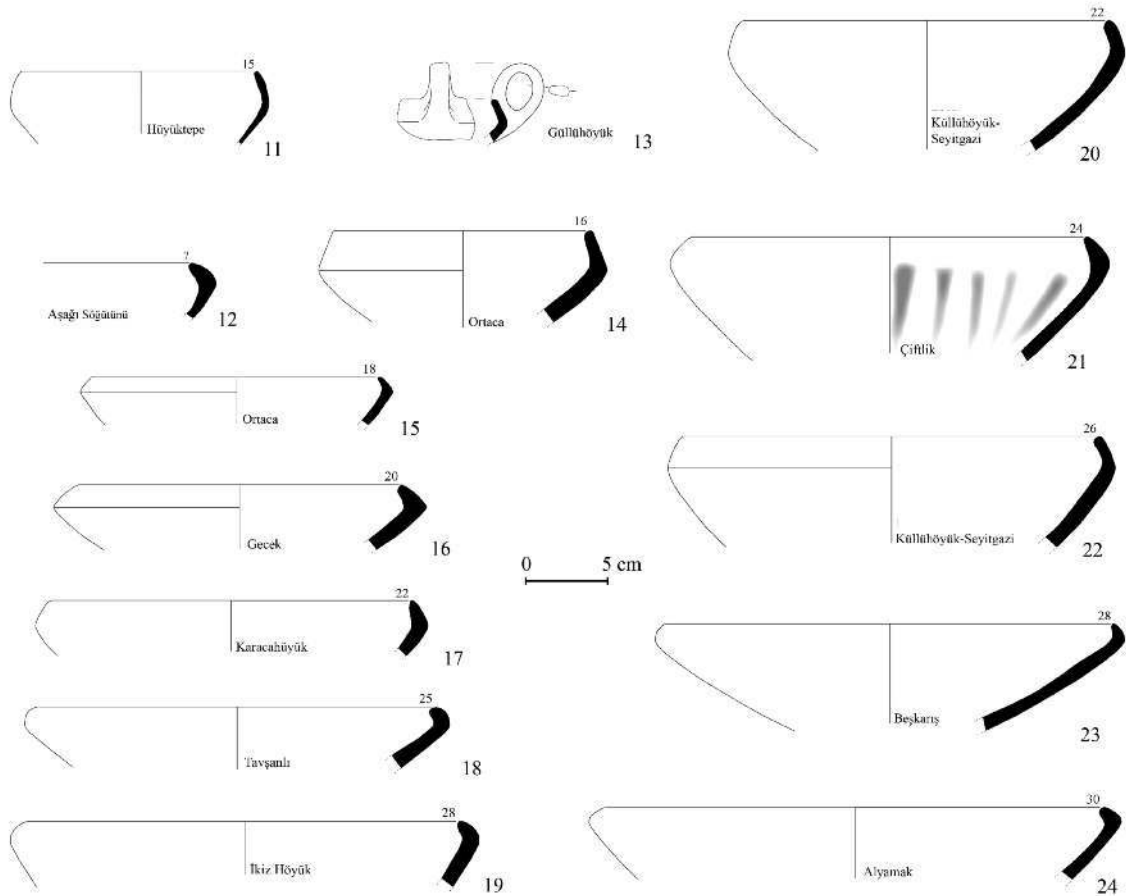
**A1 - Bowl with simple profil**



**A2 - Bowl with incurving rim**



**A3 - Carinated bowl**



**Fig. 14.**

#### A4 - Bowls with interior-thickened rim

**25 Kınık (86).** Bowl with interior-thickened rim. Grey Ware. Grey biscuit.

**26 Ortaca (69).** Bowl with interior-thickened rim. Plain Ware. Wheel marks on exterior. Red biscuit (Fig. 10).

**27 Hacıkibir (70).** Simple dish with interior-thickened rim. Plain Ware. Red biscuit. Micaceous.

**28 Gecek (62).** Bowl with interior-thickened rim. Red Washed Ware. Red biscuit.

**29 Aşağı Sögütünü I (47).** Simple dish with interior-thickened rim. Plain Ware. Brown biscuit (Fig. 10).

**30 Malatça (59).** Bowls with interior-thickened rim. Red Washed Ware. Red brown slipped surface. Bicolor biscuit. Black inside and red outside.

#### A5 - Bowls with S-profile

**31 Haydarlar (65).** Carinated bowl with S-profile. Orange Washed Ware. Brown biscuit.

**32 Malatça (59).** Carinated bowl with S-profile. Red/Brown Burnished Ware. Brown slipped surface. Red biscuit.

**33 Tavşanlı (81).** Carinated bowl with S-profile. Red Washed Ware. Reddish-brown biscuit with grey core.

**34 Yalınlı (28).** Carinated bowl with S-profile. Plain Ware.

**35 Tavşanlı (81).** Bowl with S-profile and loop-handle. Red/Brown Washed Ware. Mottled surface. Brown biscuit.

**36 Haydarlar (65).** Carinated bowl with S-profile. Orange Washed Ware. Brown biscuit.

**37 Malatça (59).** Carinated bowl with S-profile. Orange Washed Ware. Orange biscuit

**38 Tavşanlı (81).** Carinated bowl with S-profile. Red Washed Ware. Orange biscuit with grey core. Micaceous.

**39 Tavşanlı (81).** Carinated bowl with S-profile. Ware? Severly burnt, bubbles. Micaceous.

**40 Gecek (62).** Carinated bowl with S-profile. Red/Brown Burnished Ware. Bicolor biscuit: black inside and red outside.

**41 Malatça (59).** Carinated bowl with S-profile. Red Washed Ware. Red biscuit.

**42 Hüyüktepe (78).** Carinated bowl with S-profile. Plain Ware. Brown biscuit.

**43 İkihöyük (75).** Carinated bowl with S-profile. Red/Brown Burnished Ware.

**44 Haydarlar (65).** Carinated bowl with S-profile. Orange Washed Ware. Brown biscuit.

#### A6 - Bowls with fluting under the rim

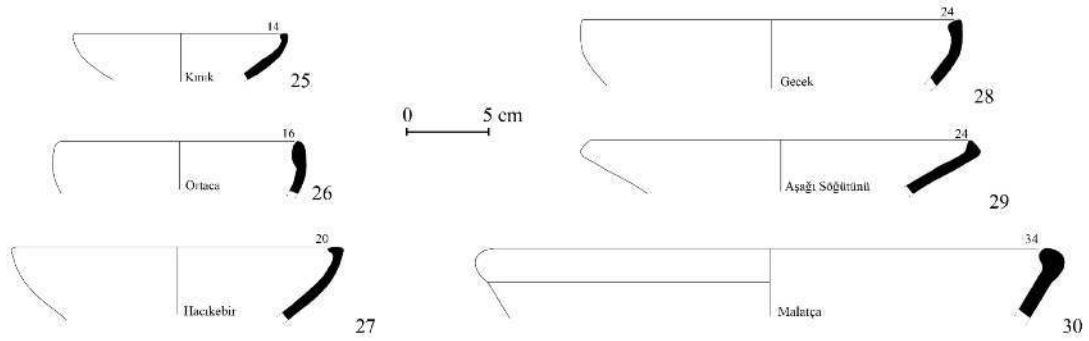
**45 Gecek (62).** Bowl with fluting under the rim. Red/Brown Burnished Ware. Red biscuit.

**46 Çerkes Çukurhisar II (36).** Bowl with fluting under the rim. Grey Ware. Grey biscuit (Fig. 11).

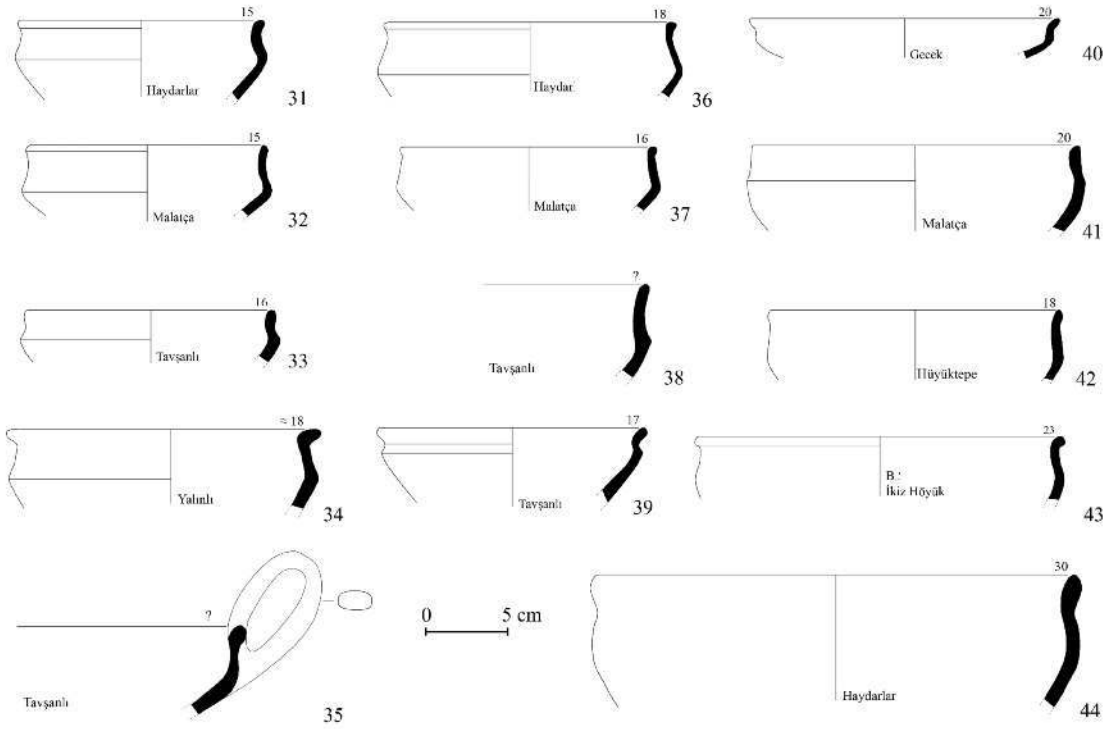
**47 Tavşanlı (81).** Bowl with fluting under the rim. Plain Ware. Orange biscuit.

**48 Tavşanlı (79).** Bowl with fluting under the rim. Orange Washed Ware. Reddish biscuit.

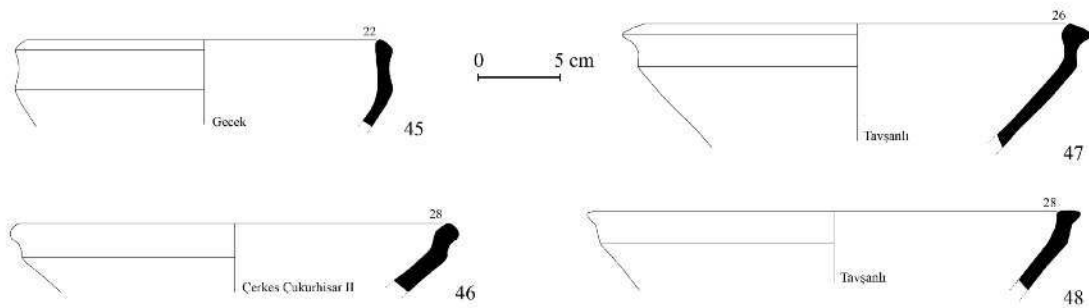
**A4 - Bowls with interior-thickened rim**



**A5 - Bowls with S-profile (simple or carinated)**



**A6 - Bowls with fluting under the rim**



**Fig. 15.**

**A7 - Bowls with bead-rim  
(hemispherical or carinated)**

**49 Güllühöyük (13).** Small bead-rim bowl. Washed Ware. No wash and burnish on interior.

**50 Çerkes Çukurhisar II (36).** Bead-rim bowl. Red/Brown Burnished Ware.

**51 Tavşanlı (81).** Carinated bead-rim bowl. A knob on the body. Fine Red Slipped Ware. Black mottles. Orange biscuit. (Fig. 4).

**52 Yakakayı (40).** Carinated bead-rim bowl. Orange Washed Ware. Brown biscuit.

**53 Tavşanlı (81).** Bowl with flattened bead-rim. Red/Brown Burnished Ware. Orange biscuit, with grey core.

**54 Tavşanlı (81).** Bead-rim bowl. Orange Washed Ware. Rim-wash on interior. Orange biscuit with grey core. Small stones inclusions.

**55 Bahçehisar (53).** Bead-rim bowl. Red/Brown Burnished Ware.

**56 Hacikebir (70).** Bead-rim bowl with mustache motif in relief. Fine Red Slipped Ware. Brown biscuit.

**57 Hüyüktepe (78).** Bead-rim bowl. Red/Brown Burnished Ware. Beige biscuit. Micaceous.

**58 Tavşanlı (81).** Bead-rim bowl. Red/Brown Burnished Ware. Orange biscuit (Fig. 4).

**59 Demirköy (84).** Carinated bead-rim bowl. Red washed inside and red brown burnished pattern on the outside. Red biscuit (Fig. 9).

**60 Bahçehisar (53).** Carinated bead-rim bowl. Demirköy Ware.

**61 Tavşanlı (81).** Bead-rim bowl. Fine Red Slipped Ware. Reddish-brown biscuit.

**62 Tavşanlı (81).** Bead-rim bowl. Fine Red Slipped Ware. Rim slip on interior. Orange biscuit.

**63 Malatça (59).** Bead-rim-bowl. Red/brown Burnished Ware. Bicolor biscuit: black inside and red outside.

**64 Küllühöyük-Seyitgazi I (19).** Carinated bead-rim bowl. Plain Ware.

**65 Tavşanlı (81).** Bead-rim bowl. Fine Red Slipped Ware. Nicely burnished. Brown biscuit with dark grey core.

**66 Ortaca (69).** Bead-rim bowl. Orange Washed Ware. Bicolor biscuit: Black inside and red outside (Fig. 6).

**67 Malatça (59).** Bead-rim bowl. Moustache motif in relief. Red Washed Ware. Brown biscuit. Micaceous.

**68 Bahçeçik I (38).** Bead-rim bowl. Typical Hittite White Ware pottery with cream slipped demarcation. Bicolor biscuit: black inside and red outside. Micaceous.

**69 Akpınar (71).** Bead-rim bowl. Orange Washed Ware. Brown biscuit. Micaceous.

**70 Sağlar Höyük (68).** Bead-rim bowl. Washed Ware. Brown biscuit. Micaceous.

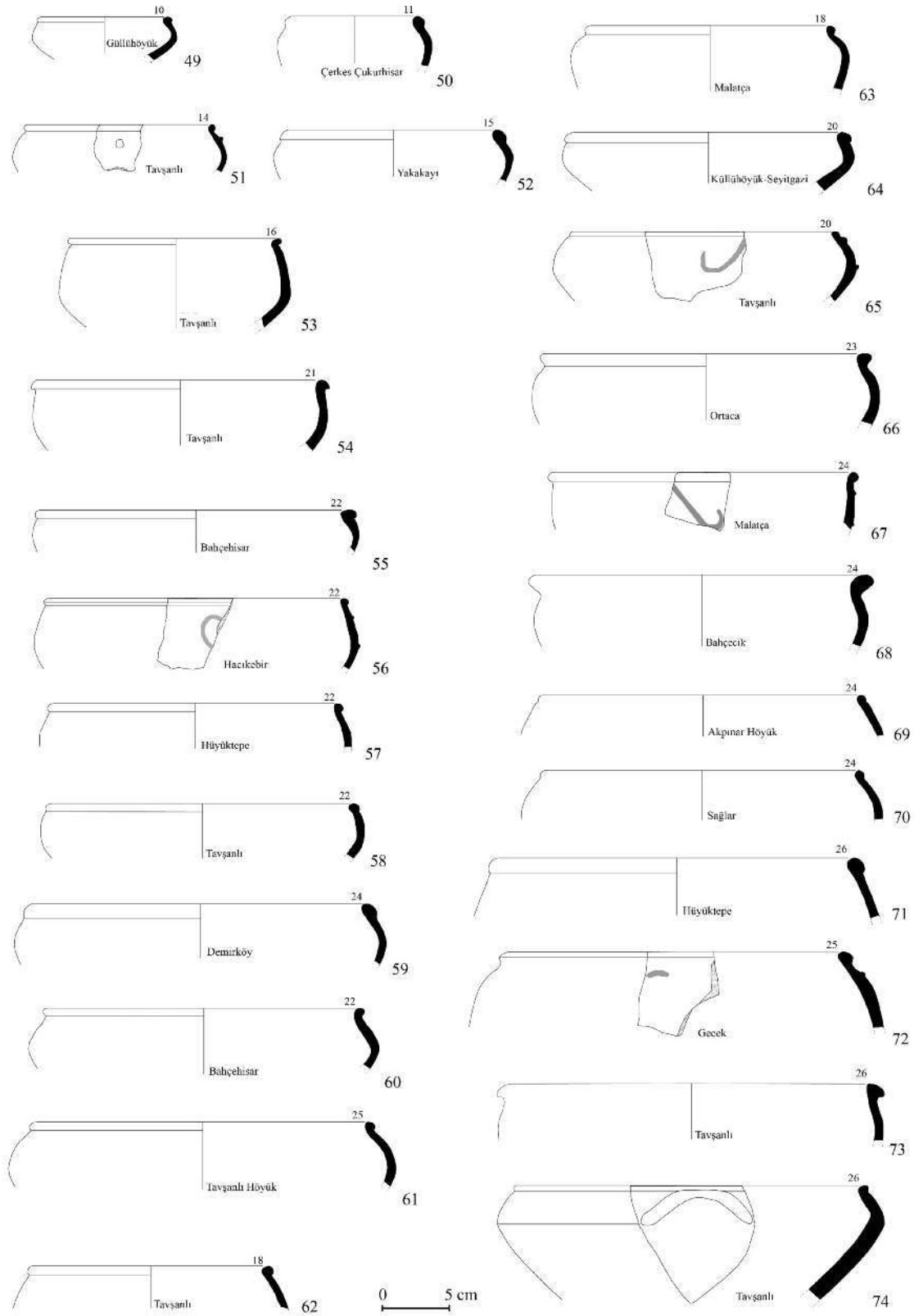
**71 Hüyüktepe (78).** Bead-rim bowl. Orange Washed Ware. Light brown biscuit. Micaceous.

**72 Gecek (62).** Bead-rim bowl. Orange Washed Ware. Black mottles. Brown biscuit.

**73 Tavşanlı (81).** Open bowl with straight side. Bevelled thickened-rim. Grey Ware.

**74 Tavşanlı (81).** Carinated bead-rim bowl. Fine Red Slipped Ware. Micaceous.

**A7 - Bead rim bowl (hemispherical ou carinated) (1)**



**Fig. 16.**

#### A7 - Bowls with bead-rim (hemispherical or carinated)

**75 Ortaca (69).** Bead-rim bowl. Red Washed Ware. Red slipped surface. Matt finished. Red biscuit (Fig. 10).

**76 Güllühöyük (13).** Bead-rim bowl. Red Washed Ware.

**77 Çerkes Çukurhisar II (36).** Bead-rim bowl. Red Washed Ware.

**78 Hüyüktepe (78).** Bead-rim bowl. Red Washed Ware. Brown biscuit.

**79 Alyamak Höyük (43).** Large deep Bowl with bead-rim. Plain Ware. Micaceous.

**80 Hacikebir (70).** Bead-rim bowl. Red Washed Ware. Red biscuit. White stone inclusions.

**81 Hüyüktepe (78).** Carinated bead-rim bowl. Red/Brown Burnished Ware.

**82 Gecek (62).** Large deep Bowl with bead-rim. Red/Brown Burnished Ware. Red biscuit. Micaceous.

**83 Yeniköy Höyük (54).** Large deep Bowl with bead-rim. Red Washed Ware.

#### A8 - Bowls with flattened bead rim

**84 Bahçehisar (53).** Bowl with flattened bead-rim. Plain Ware. Light brown biscuit.

**85 Kocahöyük (82).** Carinated bowl with flattened bead-rim. Plain Ware. Brown biscuit.

**86 Tavşanlı (81).** Bowl with flattened bead-rim. Red Washed Ware. Reddish biscuit.

**87 Tavşanlı (81).** Carinated bowl with flattened rim. Red Washed Ware. Interior surface has no wash. Dark grey on interior. Pattern burnishing in vertical strokes on interior. Grey biscuit.

**88 Tavşanlı (81).** Carinated bowl with flattened bead-rim. Fine Red Slipped Burnished Ware. Well burnished. No slip on the interior. Orange biscuit (Fig. 4).

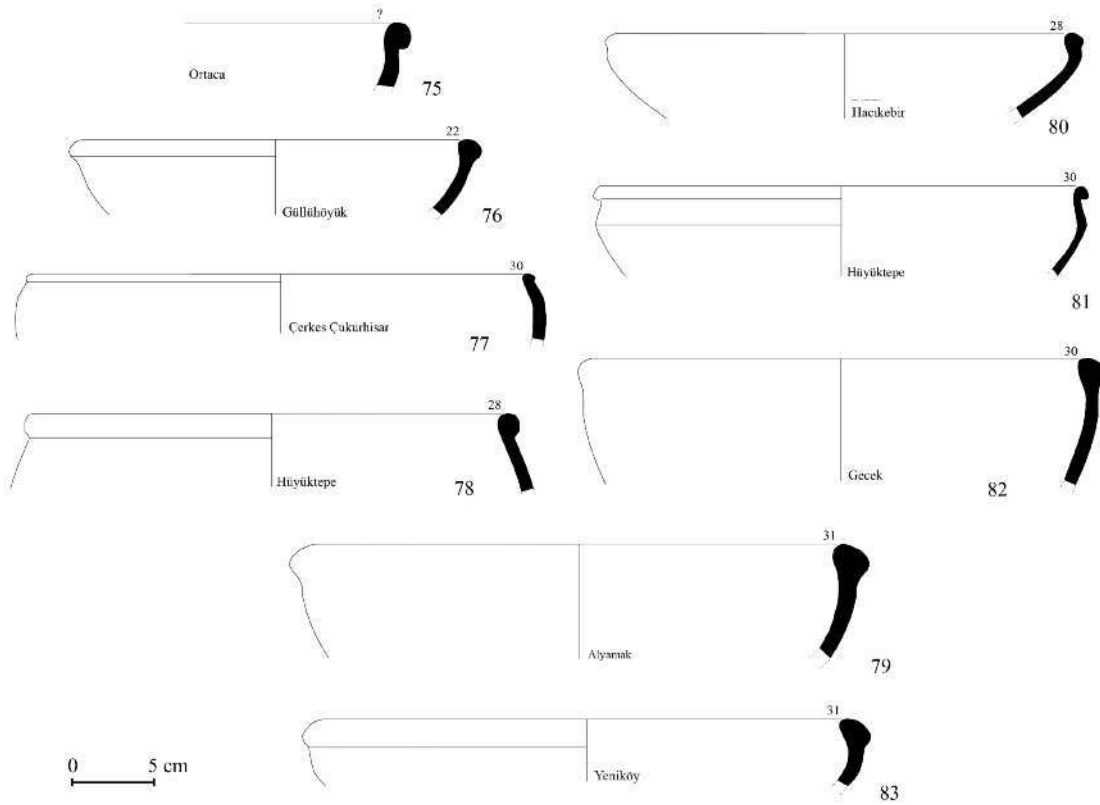
**89 Yakakayı (40).** Bowl with flattened bead-rim. Red/Brown Burnished Ware. Brown biscuit.

**90 Tavşanlı (81).** Bowl with flattened bead-rim. Coarse Ware. Orange biscuit.

**91 Hüyüktepe (78).** Bowl with flattened bead-rim. Fine Red/Brown Burnished Ware. Brown biscuit.

**92 Tavşanlı (81).** Carinated bowl with flattened bead-rim. Red Washed Ware. No wash on interior. Dark grey on interior.

**A7 - Bead rim bowl (hemispherical ou carinated) (2)**



**A8 - Bowls with flattened bead rim (1)**

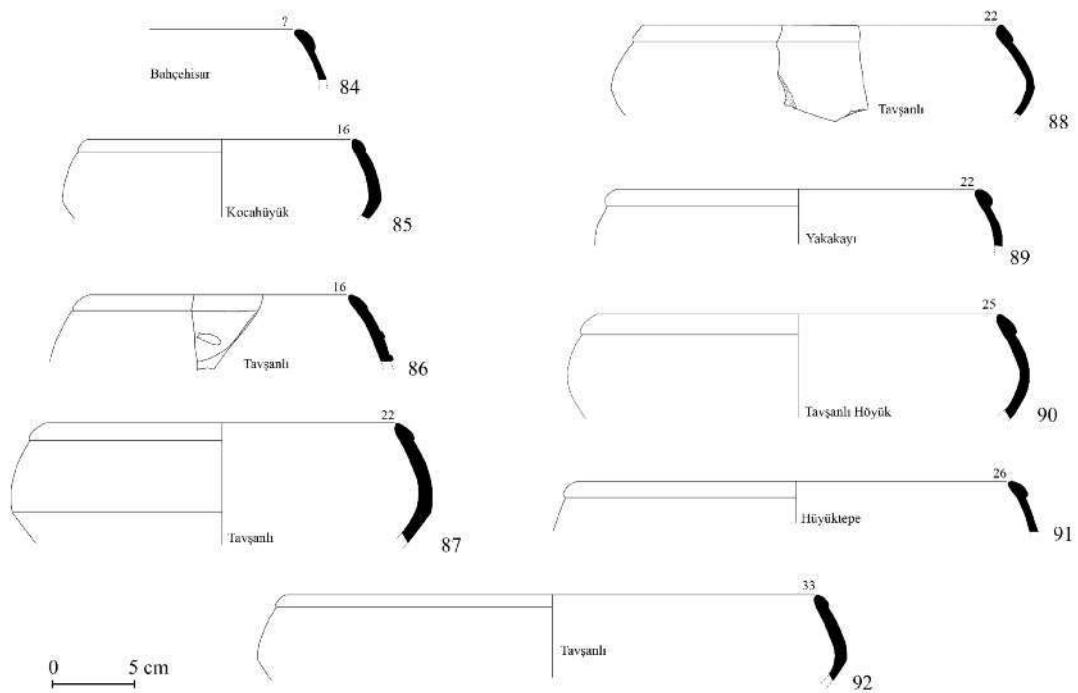


Fig. 17.



### A8 - Bowls with flattened bead rim

**93 Çerkes Çukurhisar II (36).** Carinated bowl with flattened bead-rim. Red Washed Ware. Rim-wash on the interior (Fig. 5).

**94 Tavşanlı (81).** Carinated bowl with flattened bead-rim. Red Washed Ware. No wash and burnish on exterior (Fig. 5).

**95 Hacıkebir (70).** Bowl with flattened bead-rim. Washed Ware. Grey horizontal burnishing stripes on interior. Brown biscuit.

**96 Hüyüktepe (78).** Conical bowl with flattened bead-rim. Cream Slipped Ware.

**97 Oluklu Hüyük (52).** Bowl with flattened bead-rim. Red Washed Ware. Red biscuit.

**98 Aşağı Söğütünü I (47).** Bowl with flattened bead-rim. Red Washed Ware. No slip on interior. Bicolor biscuit: black inside and red outside.

**99 Küllühöyük-Seyitgazi I (19).** Bowl with flattened bead-rim. Red/Brown Burnished Ware. Bicolor biscuit: brown outside and grey inside.

**100 İkizhöyük (75).** Bowl with flattened bead-rim. Plain Ware.

**101 Hüyüktepe (78).** Carinated bowl with flattened bead-rim. Red/Brown Burnished Ware. Red biscuit (Fig. 7).

**102 Hüyüktepe (78).** Carinated bowl with flattened bead-rim. Red Washed Ware.

**103 Gecek (62).** Bowl with flattened bead-rim. Plain Ware. Red biscuit. White stone inclusions.

**104 Hüyüktepe (78).** Bowl with flattened bead-rim. Plain Ware. Brown biscuit.

**105 Çayır Höyük (6).** Bowl with flattened bead-rim. Plain Ware. Red brown biscuit.

**106 Bahçehisar (53).** Bowl with flattened bead-rim. Plain Ware. Brown biscuit. Micaceous.

**107 Gecek (62).** Bowl with flattened bead-rim. Plain Ware. Coarse Ware. Red biscuit. Micaceous.

**108 Tavşanlı (81).** Bowl with flattened bead-rim. Dots on the rim. Plain Ware. Light brown surface.

**109 Hacıkebir (70).** Bowl with flattened bead-rim. Red Washed Ware. Brown biscuit. Micaceous.

**110 Bahçehisar (53).** Bowl with flattened bead-rim. Red Washed Ware. The bead-rim is faceted. No burnished on interior. Light brown biscuit.

**111 Alyamak Höyük (43).** Bowl with flattened bead-rim. Plain Ware.

**112 Kocahöyük (82).** Carinated bowl with flattened bead-rim. Orange Washed Ware. Brown biscuit.

**113 Güllühöyük (13).** Carinated bowl with flattened bead-rim. Orange Washed Ware. Bicolor biscuit: brown outside and grey inside.

**114 Yakakayı (40).** Carinated bowl with flattened bead-rim. Fine Red Slipped Ware. Light brown biscuit.

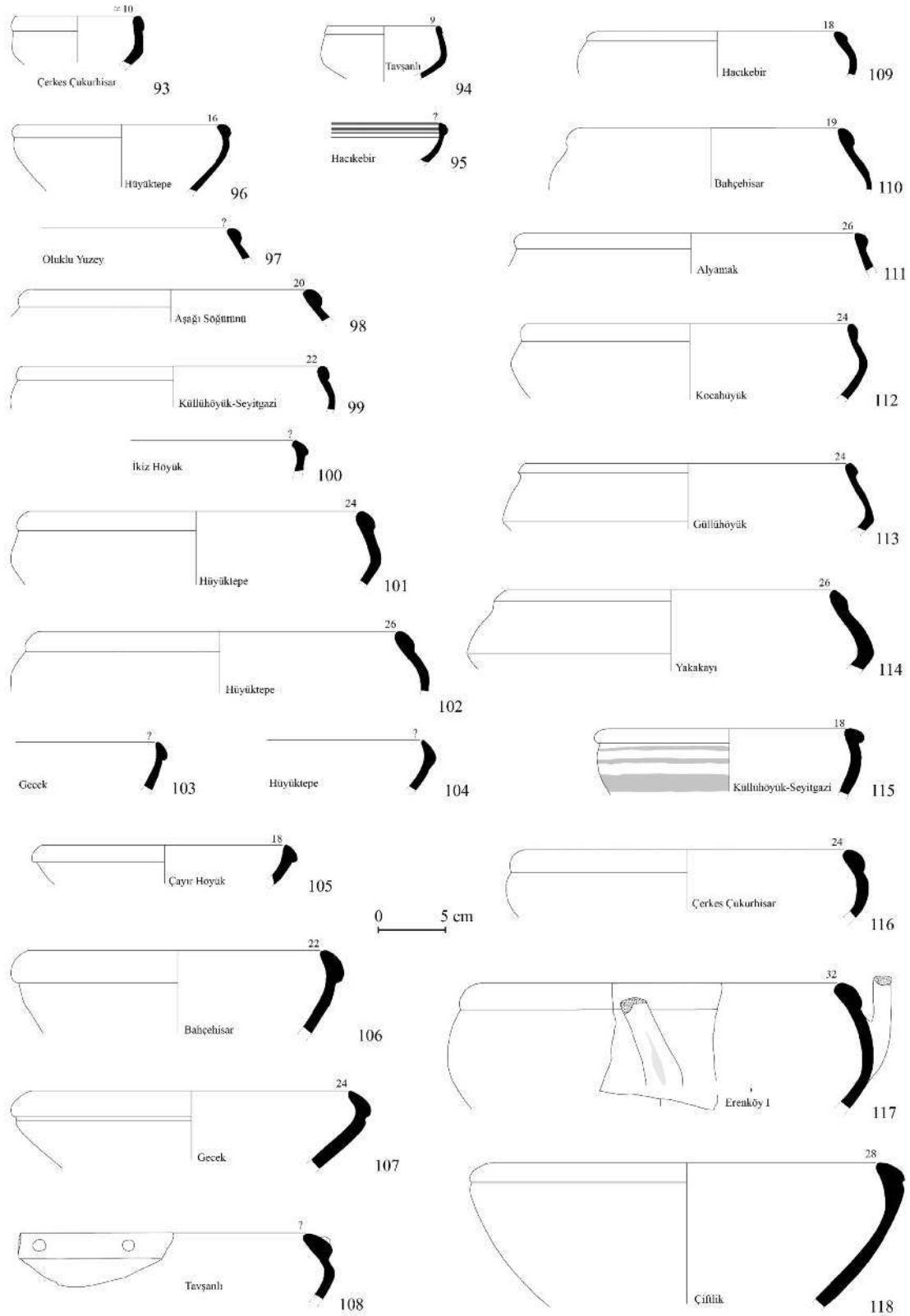
**115 Küllühöyük-Seyitgazi I (19).** Bowl with flattened bead-rim. Reserved slip decoration (horizontal lines) on the outer surface. Red Washed Ware. Brown biscuit.

**116 Çerkes Çukurhisar II (36).** Bowl with flattened bead-rim. Red/Brown Washed Ware. Brown biscuit.

**117 Erenköy I (56).** Bowl with flattened bead-rim and horizontal handle. Light brown Washed Ware.

**118 Çiftlik Hüyük (45).** Bowl with flat-topped rim. Plain Ware.

**A8 - Bowls with flattened bead rim (2)**



**Fig. 18.**

### A9 - Bowls with T-shaped rim

**119 Oluklu Hüyük (52).** Bowl with T-shaped rim. Plain Ware. Brown biscuit

**120 Ortaca (69).** Simple bowl with T-shape rim. Plain Ware.

**121 Külhüyük (8).** Dish with T-shaped rim. Red/Brown Washed Ware. Red-brown biscuit.

**122 Malatça (59).** Simple bowl with T-shape rim. Orange Washed Ware. Dark grey biscuit (Fig. 6).

**123 Tavşanlı (81).** Simple bowl with T-shape rim. Fine Red Slipped Ware. Reddish brown biscuit with brown core.

### A10 - Carinated bowls with overhanging rim

**124 Killi Höyük (57).** Conical bowl with long T shape rim. Washed Ware. Micaceous (Fig. 5).

**125 Hacıkebir (70).** Bowl with overhanging rim. Plain Ware. Horizontal pattern burnishing on both surfaces. Bicolor biscuit: grey inside and red outside.

**126 Küllühöyük-Seyitgazi I (19).** Conical bowl with long T shape rim. Red Washed Ware. Brown biscuit.

**127 Erenköy I (56).** Conical bowl with long T shape rim. Red Washed Ware.

**128 Osmaniye/ Alpu (37).** Conical bowl with overhanging rim. Red Washed Ware. No wash on exterior.

**129 Küllühöyük-Seyitgazi I (19).** Conical bowl with long T shape rim. Red Washed Ware.

**130 Hüyüktepe (78).** Conical bowl with long T shape rim. Hittite White/Cream Slipped Ware.

### A11 - Carinated bowls with broad flat-topped rim

**131 Beşkarış (60).** Carinated bowl with broad flat-topped rim. Red Washed Ware. Bicolore biscuit. Black on the inside and orange on the outside. Micaceous.

**132 Hacıkebir (70).** Carinated bowl with broad flat-topped rim. Orange Washed Ware outside and reddish brown washed surface inside. Brown biscuit.

### A12 - Bowls with various thickened rim shape

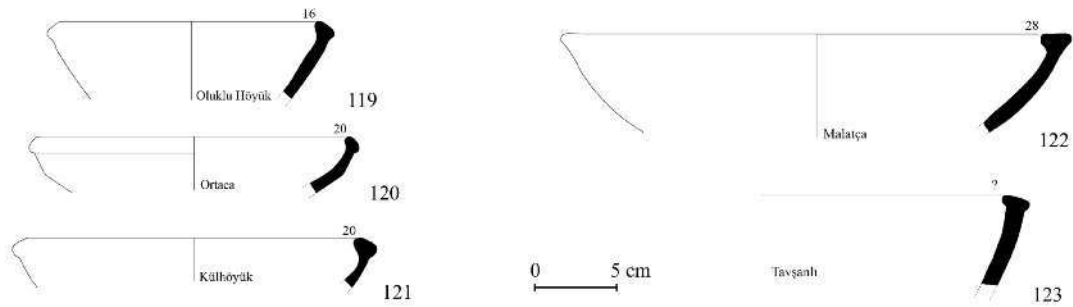
**133 Hüyüktepe (78).** Bowl with thickened rim. Hittite White/Cream Slipped Ware. Reddish-brown biscuit (Fig. 8).

**134 Ortaca (69).** Bowl with thickened rim shape. Plain Ware. Black biscuit.

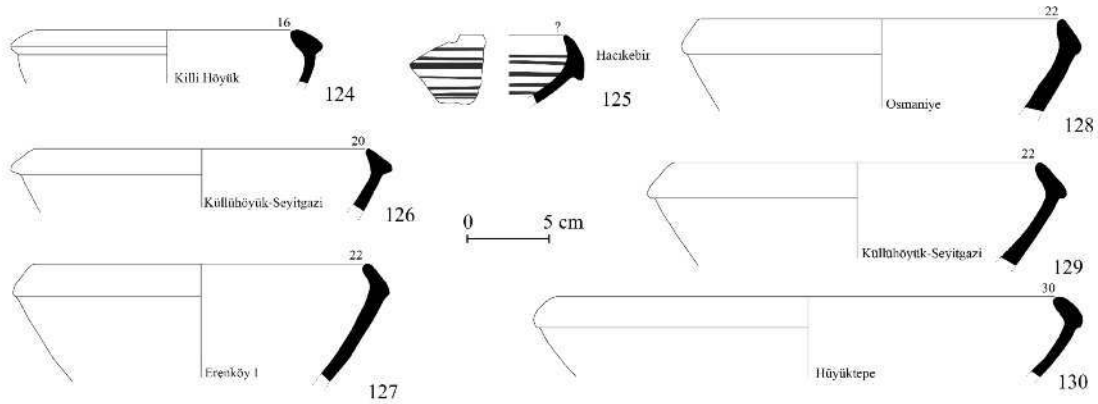
**135 Ortaca (69).** Bowl with thickened rim shape and with a small horizontal lug. Red/Brown burnished ware. Light brown biscuit with sand and mica inclusions.

**136 Akpınar (71).** Bowl with thickened rim. Red/Brown Burnished Ware.

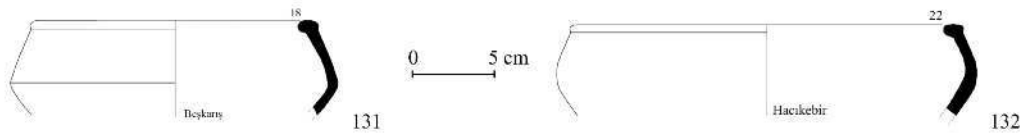
**A9 - Bowl with T-shaped rim**



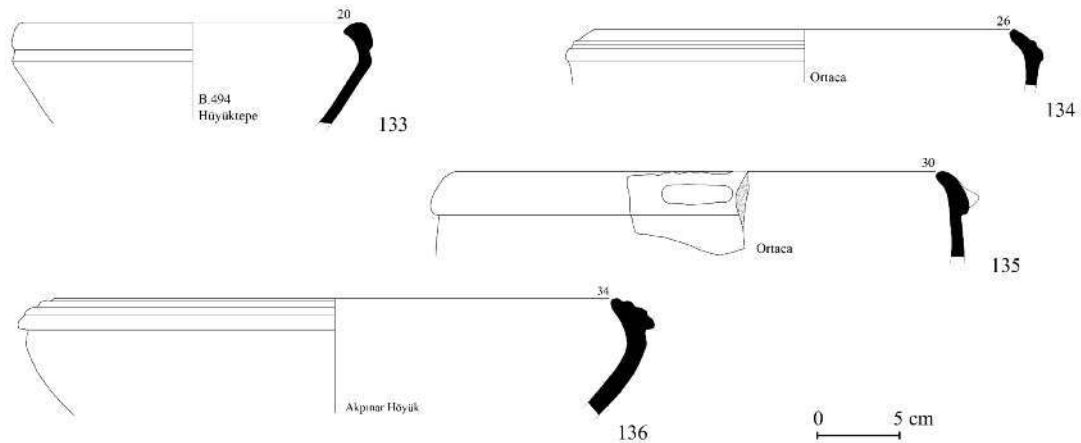
**A10 - Carinated bowl with overhanging rim**



**A11 - Carinated bowl with broad flat-topped rim**



**A12 - Bowl with various thickened rim shape**



**Fig. 19.**

### B1 - Dishes with simple profile

**137 Tavşanlı (81).** Flaring bowl or shallow dishes with inturning rim. Plain Ware. No slip. Orange biscuit. Micaceous.

**138 Tavşanlı (81).** Dish with simple rim. Plain Ware. Bicolor biscuit with greyish core and reddish-brown edge.

### B2 - Dishes with interior thickened rim

**139 Tavşanlı (81).** Simple dish with interior thickened rim. Orange Washed Ware. Black biscuit.

**140 Tavşanlı (81).** Simple dish with interior thickened rim. Plain Ware. Reddish biscuit.

**141 Beşkarış (60).** Simple dish with interior thickened rim. Orange Washed Ware. Orange biscuit. Stone and mica inclusions (Fig. 7).

**142 Suluhöyük (14).** Simple dish with interior-thickened rim. Fine Red Slipped Ware. No slipped or burnished on exterior. Bicolor biscuit: red outside and dark brown inside.

**143 Beşkarış (60).** Simple dish with interior-thickened rim. Plain Ware.

**144 Kızılcaköy (2).** Simple dish with interior-thickened rim. Plain Ware.

### B3 - Dishes with T-shaped rim

**145 Karacahöyük (42).** Simple dish with interior-thickened rim. Plain Ware. Red biscuit.

**146 Yakakayı (40).** Dish with T-shaped rim. Fine Red Slipped Ware. Slipped demarcation: Red slipped on interior and 2 cm-wide rim-slip on exterior. Light brown biscuit.

**147 Ortaca (69).** Dish with T-shaped rim. Fine Red Slipped Ware. No slip and burnish on interior. Brown biscuit.

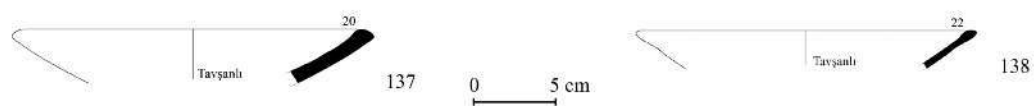
**148 Köprübaşı Höyüğü (33).** Dish with T-shaped rim. Plain Ware.

**149 Haydarlar (65).** Dish with T-shaped rim. Orange Washed Ware. Brown biscuit (Fig. 6).

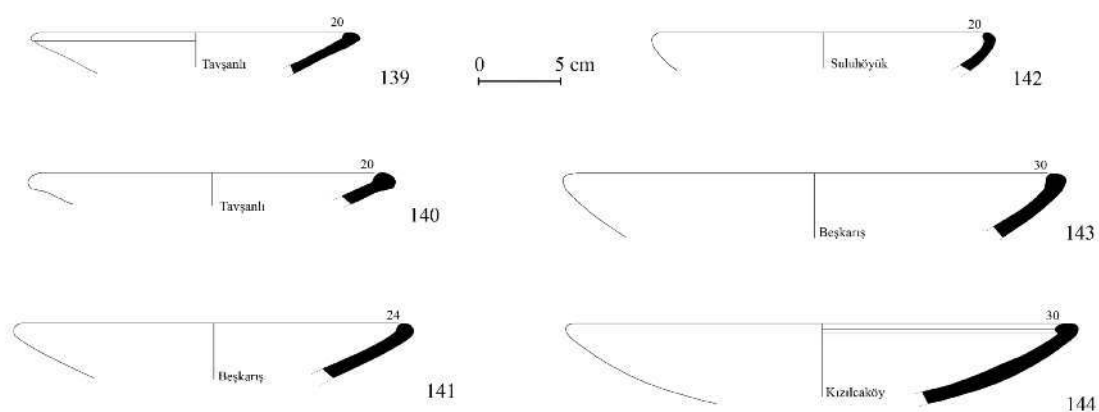
**150 Çerkes Çukurhisar II (36).** Dish with T-shaped rim. Plain Ware.

**151 Yalınlı (28).** Dish with T-shaped rim. Orange Washed Ware. Light brown biscuit.

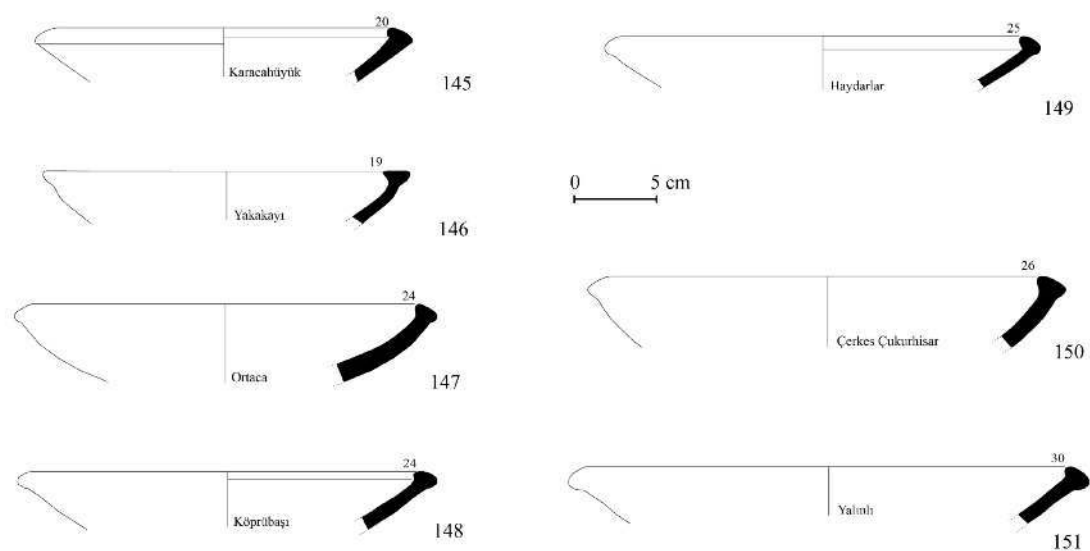
**B1 - Dishes with simple profile**



**B2 - Dishes with interior thickened rim**



**B3 - Dishes with T-shaped rim**



**Fig. 20.**

### C1 - Pots with bead rim

**152 Hüyüktepe (78).** Pot with internal and external thickened rim. Red/Brown Burnished ware. Brown biscuit.

**153 Ortaca (69).** Bead rim bowl. light Red Washed Ware. Dark brown biscuit.

**154 Gecek (62).** Large pot with bead-rim. Plain Ware. Black mottles. Brown biscuit. Sand tempering.

**155 Tavşanlı (81).** Bead rim bowl. Red Washed Ware. Reddish biscuit with grey core. Small stone inclusions.

**156 Hacıkebir (70).** Large pot with bead rim. Red Washed Ware. Brown biscuit.

**157 Tavşanlı (81).** Large pot with bead-rim. Red Washed Ware. Reddish-brown biscuit. Mica inclusions.

**158 Erenköy I (56).** Pot with bead-rim. Fine Red Slipped Ware. Horizontal burnishing on the body, but not on the rim. Brown biscuit.

**159 Sağlar Höyük (68).** Globular pot with thickened rim. Plain Ware. Coarse biscuit. Stone inclusions.

**160 Bahçecik I (38).** Globular pot with thickened rim. Plain Ware. Light brown biscuit.

**161 Tavşanlı (81).** Pot with outturning rim. Orange Washed Ware. Exterior light brown, interior pinkish brown. Orange biscuit. Micaceous.

**162 Erenköy I (56).** Pot with bead-rim. Red/Brown Washed Ware. Brown biscuit.

**163 Hacıkebir (70).** Large pot with bead-rim. Orange Washed Ware. Red brown biscuit.

**164 Tavşanlı (81).** Pot with bead-rim. Red Washed Ware. Biscuit with greyish core and yellowish edge.

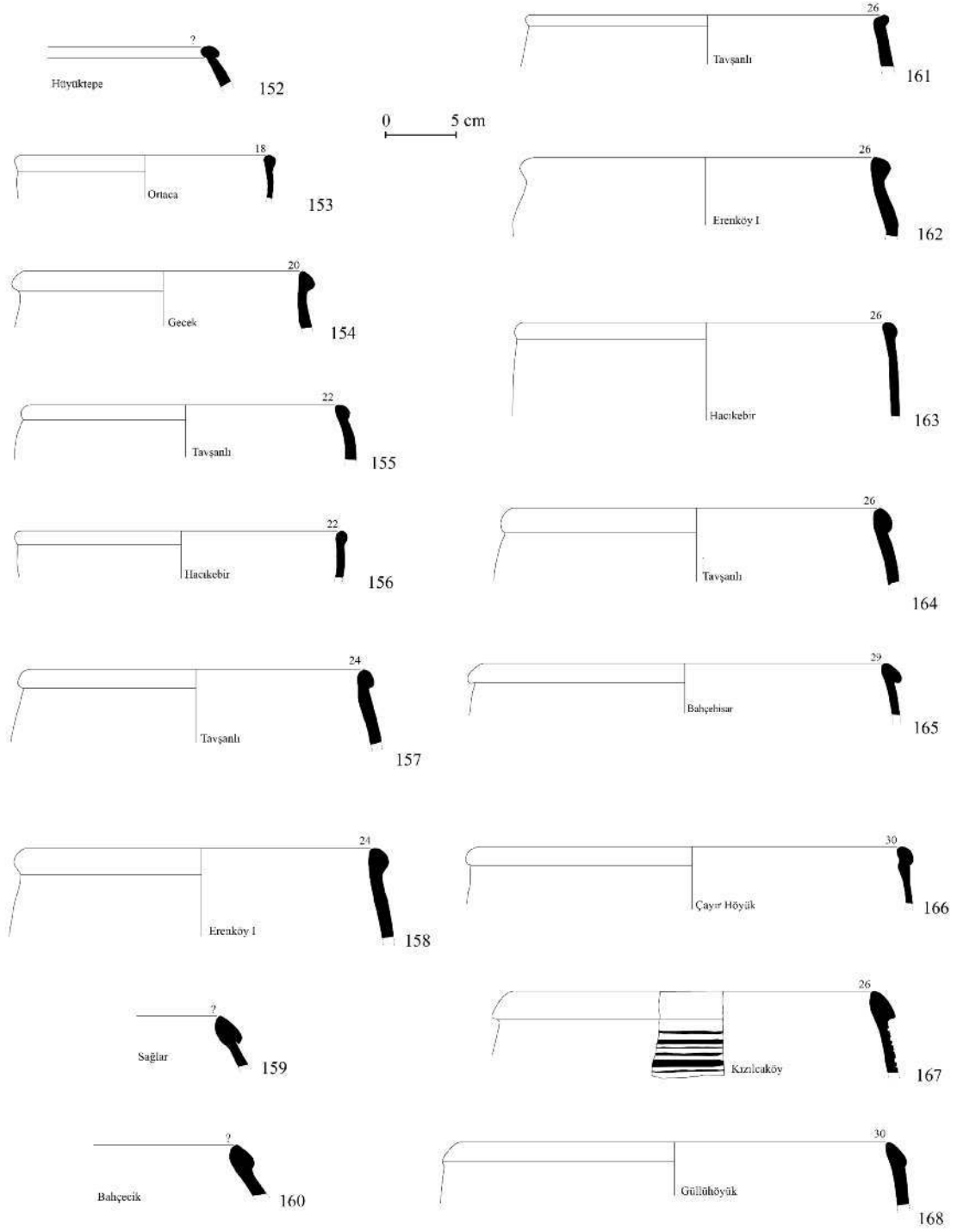
**165 Bahçehisar (53).** Pot with bead-rim. Orange Washed Ware.

**166 Çayır Höyük (6).** Pot with bead-rim. Red Washed Ware. Bicolor biscuit. Red outside and grey inside.

**167 Kızılcaköy (2).** Globular pot with thickened rim. Orange Washed Ware. Horizontal bands in relief on the body. Orange-brown biscuit. Small stone inclusion.

**168 Güllühöyük (13).** Pot with flattened bead-rim. Fine Red Slipped Ware.

**C1 - Pot with bead rim**



**Fig. 21.**



### C2 - Globular pots including cooking pots

**169 Bahçecik I (38).** Cooking pot with broad ledge-rim. Fine Red Slipped Ware. Bicolor biscuit: black inside and red outside. Micaceous.

**170 Yakakayı (40).** Small pot with flat top rim. Brown Slipped Ware. Brown biscuit.

**171 Hacıkebir (70).** Globular cooking pot with horizontal handles. Red/Brown Washed Ware. Brown biscuit.

**172 Hacıkebir (70).** Globular cooking pot. Plain Ware. Brown biscuit.

**173 Tavşanlı (81).** Globular cooking pot. Orange Washed Ware. No slip on interior. Brown biscuit. Micaceous.

**174 Çiftlik Hüyük (45).** Cooking pot with thickened rim. Plain Ware. Micaceous.

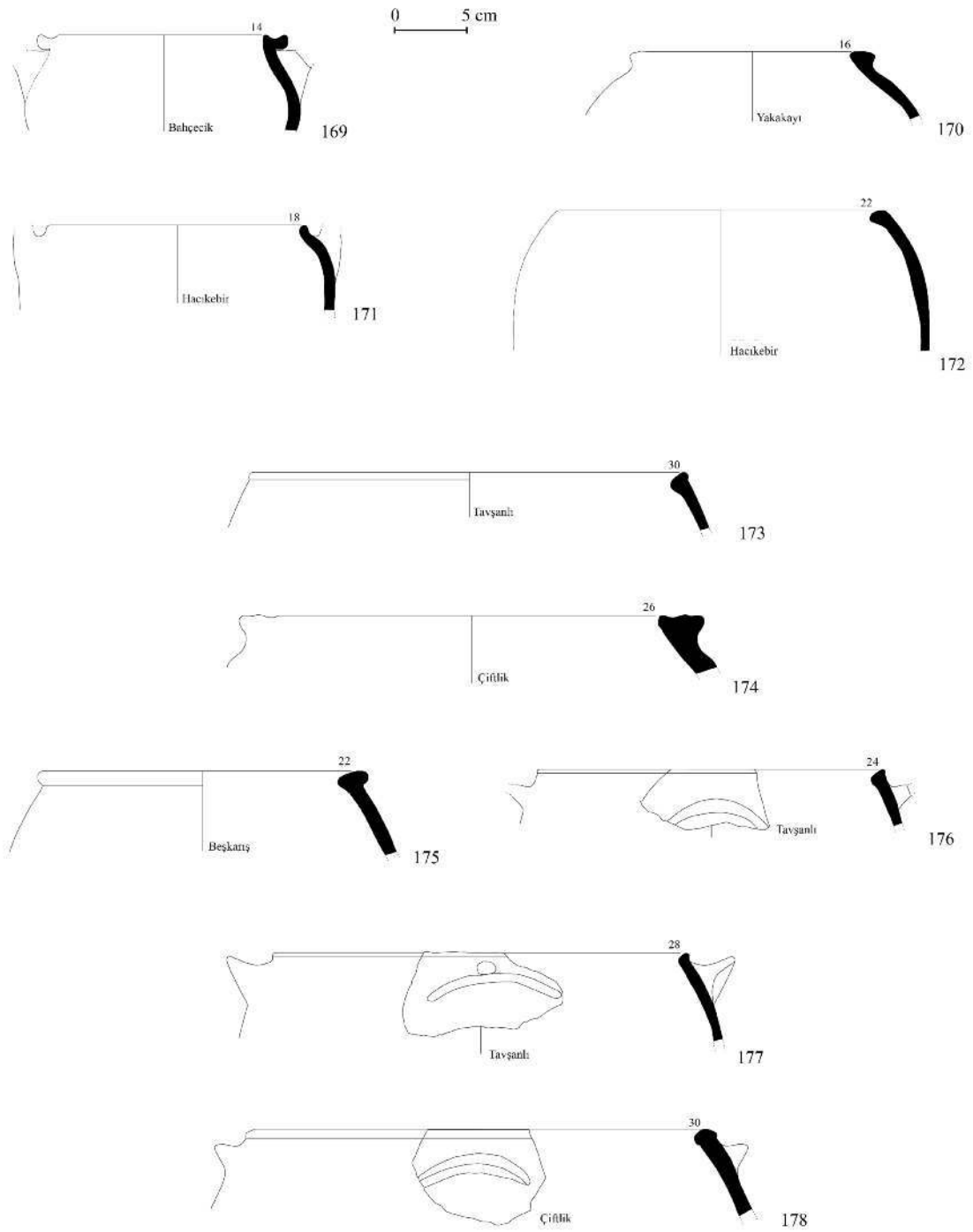
**175 Beşkarış (60).** Globular cooking pot. Coarse Ware. Black Mottle outside. Orange biscuit. Micaceous.

**176 Tavşanlı (81).** Cooking pot with crescent grip. Coarse Ware. Black biscuit. Mica and straw tempering. Crumbly. Handmade (Fig. 12).

**177 Tavşanlı (81).** Globular cooking pot with crescent grip. Coarse Ware. Black biscuit. Micaceous. Straw tempering and crumbly. Handmade (Fig. 12).

**178 Çiftlik Hüyük (45).** Cooking pot with crescent grip. Coarse Ware. Most probably wheelmade (Fig. 12).

**C2 - Globular pots including cooking pot**



**Fig. 22.**

### C3 - Globular pots and *pithoi* with outturning rim

**179 Gecek (62).** Globular pot with outturning rim. Plain Ware. Brown biscuit.

**180 Tavşanlı (81).** Pot with outturning rim with one or two vertical handle. Red Washed Ware. Brown biscuit.

**181 Tavşanlı (81).** Globular pot with outturning rim. Red Washed Ware. Reddish-brown biscuit. Micaceous.

**182 Subak (74).** Globular pot with outturning rim. Plain Ware. Dark brown biscuit. Micaceous.

**183 Parmakören (76).** Globular pot with outturning rim. Red/Brown Burnished Ware. This ware is called Dark Brown Burnished Ware by Mellaart. Vertical pattern burnishing on the outside.

**184 Ilcabaşı II (4).** Globular pot with outturning rim. Orange Washed Ware. Vertical brush strokes

on the exterior. Bicolor biscuit: grey inside and orange outside.

**185 Tavşanlı (81).** Globular pot with outturning rim and small handles from the body. Plain Ware. Brown biscuit.

**186 Bahçehisar (53).** Large globular pot with outturning rim. Red Washed Ware.

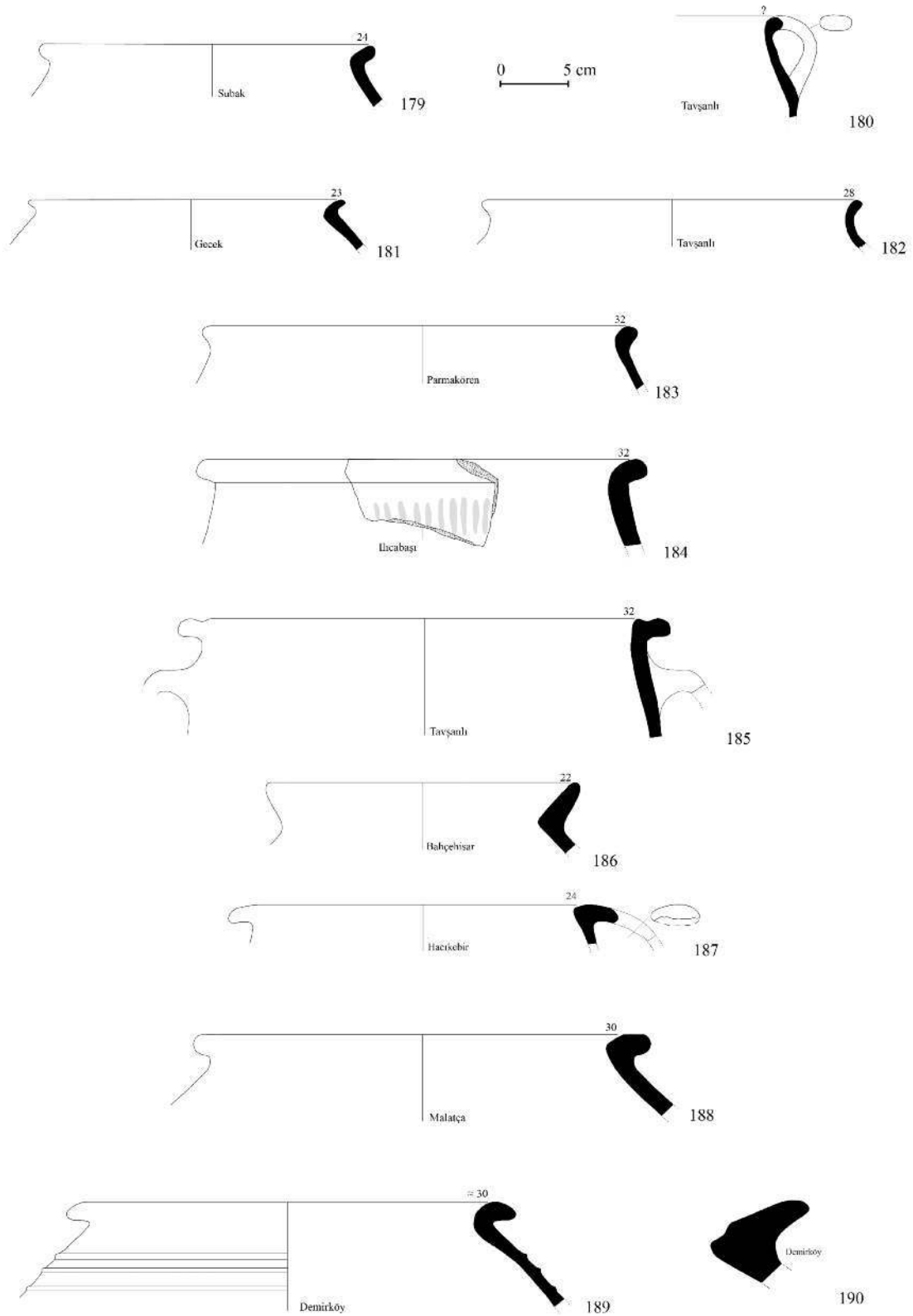
**187 Hacikebir (70).** Pot with everted rim. Flat handle attached to the rim. Plain Ware.

**188 Demirköy (84).** Globular *pithos* with outturning rim/broad ledged rim. Relief bands on the shoulder. Washed Ware. Orange biscuit.

**189 Malatça (59).** Globular pot with outturning rim. Red Washed Ware. Bicolor biscuit: black inside and red outside.

**190 Demirköy (84).** *Pithos* with sharp outturning rim. Demirköy Ware (Fig. 9).

**C3 - Globular pots and pithoi with outturning rim**



**Fig. 23.**

**D1 - Trefoil-mouthed jug**

**191 Erenköy I (56).** Trefoil-mouthed jug. Red Washed Ware. Brown biscuit.

**192 Tavşanlı (81).** Trefoil-mouthed jug. Orange Washed Ware. Reddish brown biscuit with light brown core (Fig. 6).

**193 Tavşanlı (81).** Fragment of trefoil-mouthed jug. Red Washed Ware.

**194 Karacahüyük (42).** Fragment of trefoil-mouthed jug. White/Cream Slipped Ware. Light brown biscuit.

**D2 - Beak spouted jugs**

**195 Tavşanlı (81).** Beak-spouted jug. Fine Red Slipped Ware. Hard fired. Compact grey biscuit.

**196 Tavşanlı (81).** Big piece of a big spouted jug. Red/Brown Burnished Ware. Light brown surface. Vertical burnishing stroke.

**197 Tavşanlı (81).** Beak piece of a jug. Red Washed Ware.

**198 Hacıkebir (70).** Piece of a cutaway spout. Plain Ware. Handmade. Brown biscuit.

**199 Abya (Pınarcık) (63).** Beak-spouted jug. Orange Washed Ware.

**D3 - Jugs (neck)**

**200 Parmakören (76).** Piece of a Jug or necked-jar. Orange Washed Ware. Orange biscuit. White stone inclusion.

**201 Tavşanlı (81).** Trefoil-mouthed jug. Fine Red Slipped Ware. Orange biscuit

**202 Ortaca (69).** Jug with everted rim. Orange Washed Ware. Brown biscuit.

**203 Tavşanlı (81).** Jug with everted rim. Plain Ware.

**204 Tavşanlı (81).** Jug with straight neck and overturning rim. Red/Brown Burnished Ware. Yellowish slipped surface. Reddish brown biscuit. Micaceous.

**205 Tavşanlı (81).** Jug with everted rim. Brown Slipped Ware. Grey biscuit. Micaceous.

**206 Ortaca (69).** Jug neck with everted rim. Orange Washed Ware. Outside: beige brown slipped surface. Inside: coarse. Orange biscuit.

**207 Bahçecik I (38).** Jug with everted rim. Hittite White/Cream Slipped Ware. Light brown biscuit (Fig. 8).

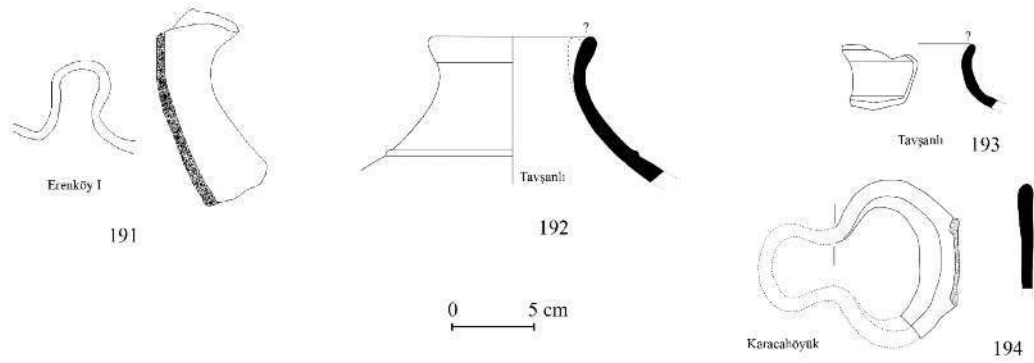
**208 Külhüyük (8).** Jar probably with double vertical handles. Red/Brown Burnished Ware. Vertical excision on the upper part of the handle. Grey biscuit.

**209 Ortaca (69).** Jug with thickened rim. Plain Ware.

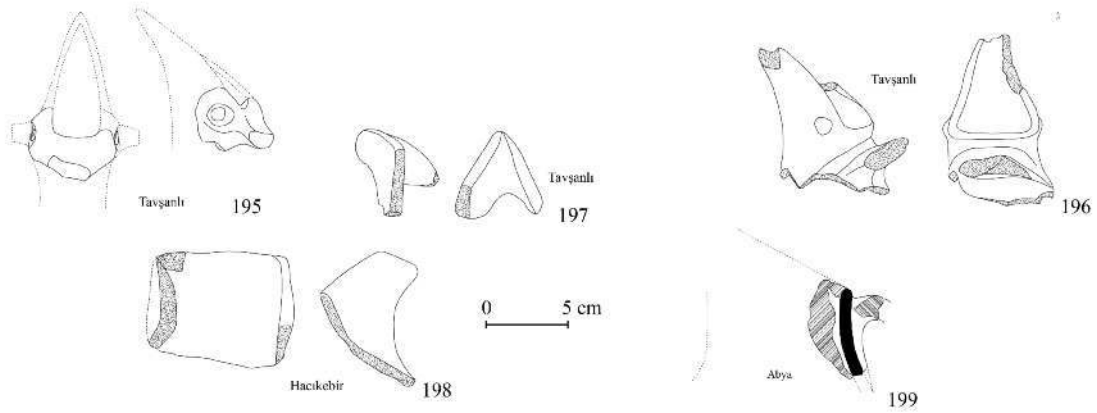
**210 Köprübaşı Höyüğü (33).** Jug with thickened rim. Orange Washed Ware.

**211 Tavşanlı (81).** Jug with thickened rim. Plain Ware. Reddish biscuit. Micaceous.

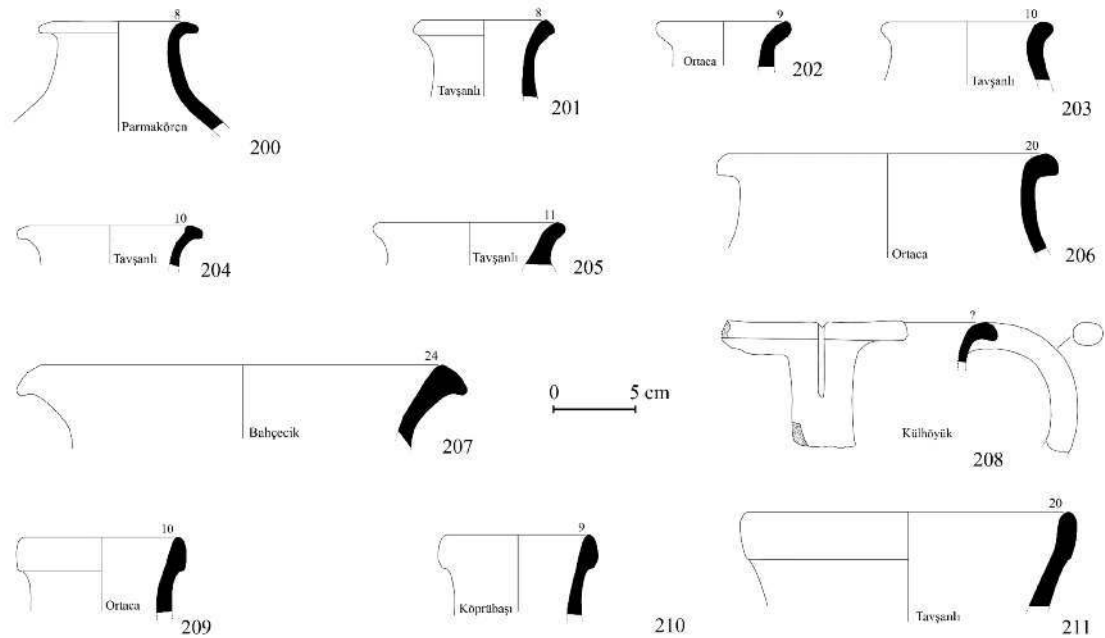
**D1 - Trefoil-mouthed jug**



**D2 - Beak spouted jugs**



**D3 - Jugs (neck)**



**Fig. 24.**

### Funnel

**212 Tavşanlı (81).** Funnel. Red Washed Ware. Orange biscuit with grey core.

#### Small pot/jug

**213 Hacıkebir (70).** Globular pot with outturning rim. Plain Ware. Three horizontal groove on the shoulder.

**214 Hüyüktepe (78).** Jar with bead-rim. Fine Red Slipped Ware. Fine biscuit, red slip, brilliantly burnished.

### Cup/goblets (?) or miniatures (?)

**215 Tavşanlı (81).** Small conical goblet. Fine Red Slipped Ware. Reddish brown biscuit.

**216 Tavşanlı (81).** Cup with marked wheel marks. Orange Washed Ware. No wash on interior. Orange biscuit (Fig. 5).

**217 Tavşanlı (81).** Small hemispherical goblet. Orange Washed Ware. Light brown biscuit.

**218 Ortaca (69).** Deep goblet with outturning rim. Fine Red Slipped Ware. Brown biscuit (Fig. 4).

**219 Tavşanlı (81).** Small goblet with sharply everted rim. Red Washed Ware. Black biscuit.

**220 Bahçehisar (53).** Dishes with simple rim. Red Washed Ware. Brown biscuit.

### Pedestal pieces

**221 Hacıkebir (70).** Foot of pedestal bowl. Plain Ware. Red biscuit. Micaceous.

**222 Hacıkebir (70).** Foot of pedestal bowl. Red Washed Ware. Brown biscuit.

**223 Sağlar Höyük (68).** Pedestal piece. Red/Brown Burnished Ware. Light brown surface.

**224 Hacıkebir (70).** Pedestal piece. Horizontal grooves. Red/Brown Burnished Ware. Surface light brown.

**225 Hacıkebir (70).** Foot of a pedestal bowl. Plain Ware.

**226 Erenköy I (56).** Pedestal pieces. Washed Ware. Horizontal grooves on the lower part of the stem. Grey biscuit inside and red biscuit outside.

### Bases

**227 Tavşanlı (81).** Round base. Red Washed Ware. Micaceous.

**228 Tavşanlı (81).** Flat base. Plain Ware. Reddish brown biscuit. micaceous.

**229 Tavşanlı (81).** Flat base. Orange Washed Ware. Brown biscuit. Micaceous.

**230 Tavşanlı (81).** Flat base. Red Washed Ware. Reddish-brown slipped surface. Nicely burnished surface. Orange biscuit with white, mica, black, small stone inclusions.

**231 Güllühöyük (13).** String-cut base. Plain Ware.

**232 Tavşanlı (81).** Flat base of a bowl. Grey Ware. Black biscuit. Micaceous.

**233 Tavşanlı (81).** Ring base. Red Washed Ware. Reddish-brown biscuit with brown core. Micaceous.

**234 Tavşanlı (81).** Ring base. Red Washed Ware. Streaky horizontal burnishing on interior. Reddish-brown biscuit.

**235 Yakakayı (40).** Ring base. Red Washed Ware.

**236 Akın Höyük (22).** Ring base of an open shape. Red/Brown Burnished Ware. Light grey biscuit (Fig. 7).

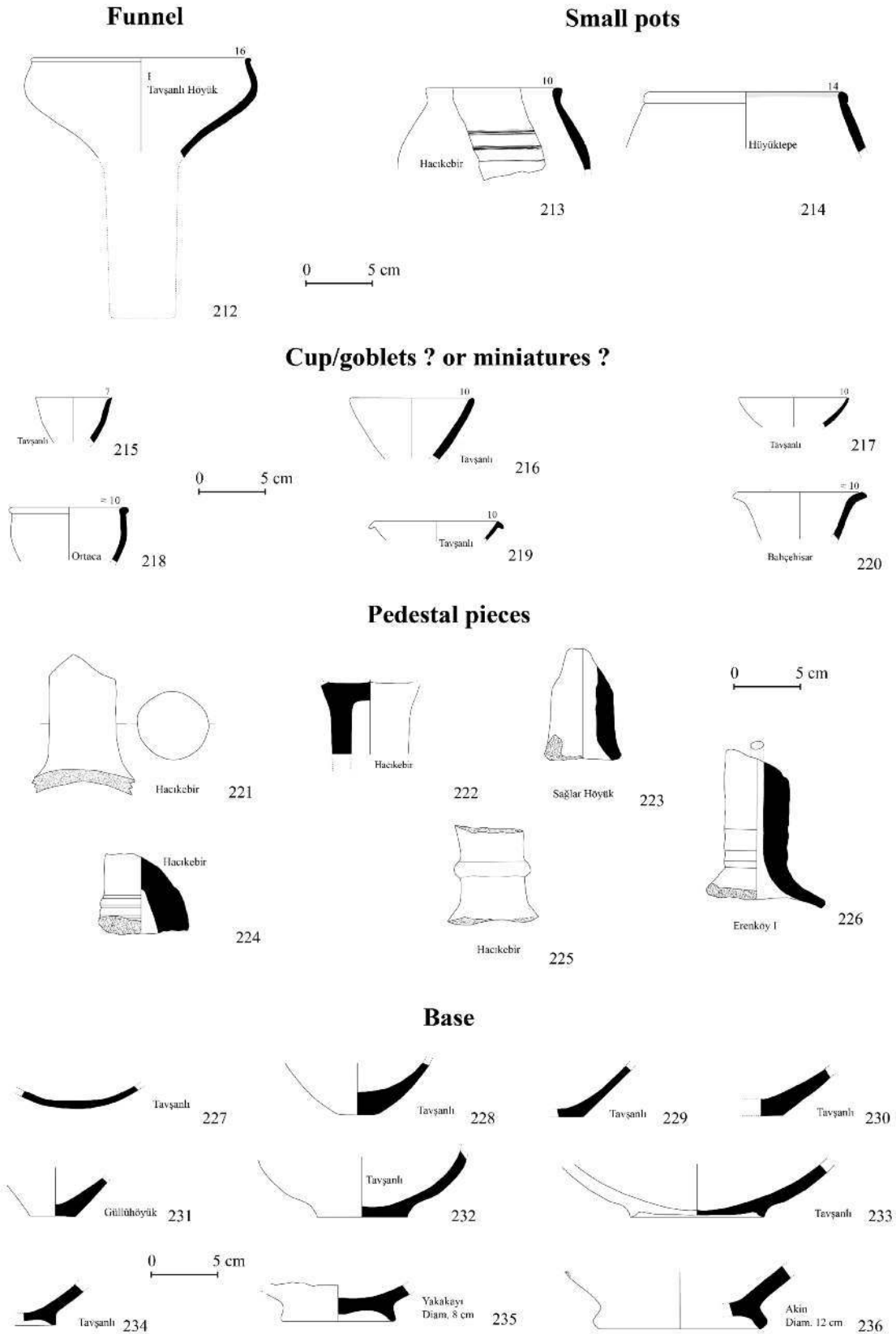


Fig. 25.



### Miscellaneous

**237 Hacikebir (70).** Miniature tea pot. Washed Ware. Pinkish brown biscuit.

**238 Tavşanlı (81).** Spout fragment. Red/ Brown Burnished Ware. Pinkish brown surface.

**239 Tavşanlı (81).** Bowl leg. Red/Brown Burnished Ware. Vertical burnishing stroke. Hard fired.

**240 Küllühöyük-Seyitgazi I (19).** Fragment of carinated body with vertical handle. Plain Ware.

**241 Tavşanlı (81).** Base fragment of a sieve. Plain Ware. Reddish biscuit. Micaceous.

**242 Kurtlar Höyük (7).** Necked vessel with vertical handle (amphora?). Plain Ware. Light brown surface. Light brown paste with gray core. Sporadic stone tempering.

### Ornament

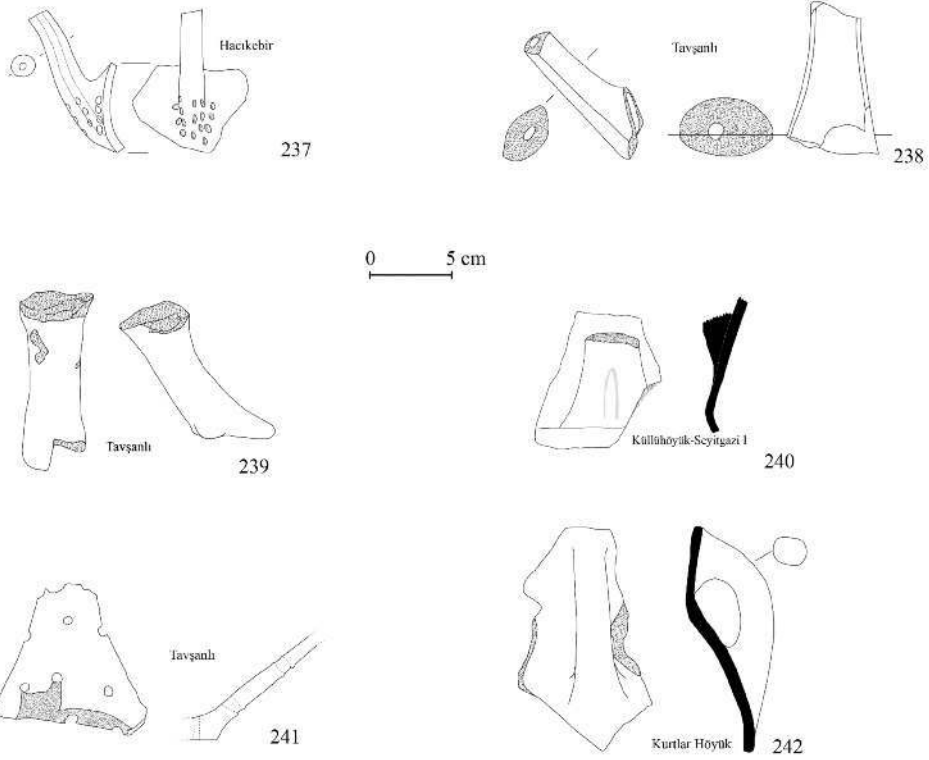
**243 Tavşanlı (81).** Body fragment with oblique incisions. Plain Ware. No slip. Orange biscuit.

**244 Tavşanlı (81).** Fragment of a handle with incisions (Criss-cross and straight line). Crudely executed. Orange Washed Ware. Brown biscuit. Micaceous.

**245 Hacikebir (70).** Body fragment with pattern-burnishing in zigzags. Grey Ware. Grey biscuit (Fig. 11 and 13).

**246 Tavşanlı (81).** Piece of a vertical handle. Washed Ware. Criss-cross pattern-burnishing. Grey biscuit. Micaceous. (Fig. 13)

Miscellaneous



Ornament

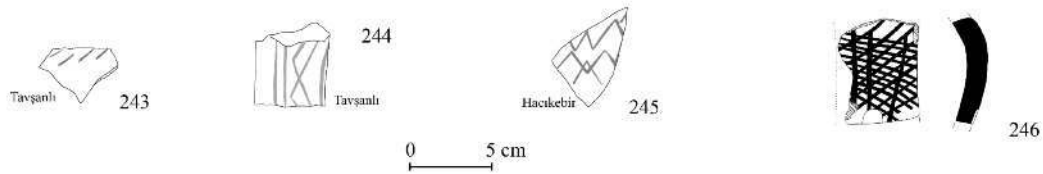


Fig. 26.



Eurômos : le temple de Zeus vu de l'Est (cliché Sönmez Alemdar).

ISBN: 978-2-36245-064-8



9 782362 450648