



BIBFRAME Beginnings at UT Austin

Panelists

Jee Davis - Cataloging & Metadata Services, UT Libraries

Melanie Cofield - Cataloging & Metadata Services, UT Libraries

Amy Brown - Book Cataloging, Harry Ransom Center

Alan Ringwood - Cataloging & Metadata Services, UT Libraries

Alisha Quagliana - Acquisitions, UT Libraries

Topics

- Linked Data for Libraries Context
- BIBFRAME Overview & Group Learning Strategies
- Experimentation Process, Tools, Outcomes
- Linked Data Beyond the Catalog
- Lessons Learned and Future Work



The Evolving Metadata Landscape: Positioning for the Future



Source: Be the change that you wish to see in the world by Helminadia Ranford

<https://www.flickr.com/photos/helminadia/6696455929>

A scenic landscape of a river winding through a valley with karst mountains under a cloudy sky. The river is the central focus, curving through the valley. The mountains are dark and jagged, typical of karst terrain. The sky is filled with soft, white clouds. The overall tone is serene and majestic.

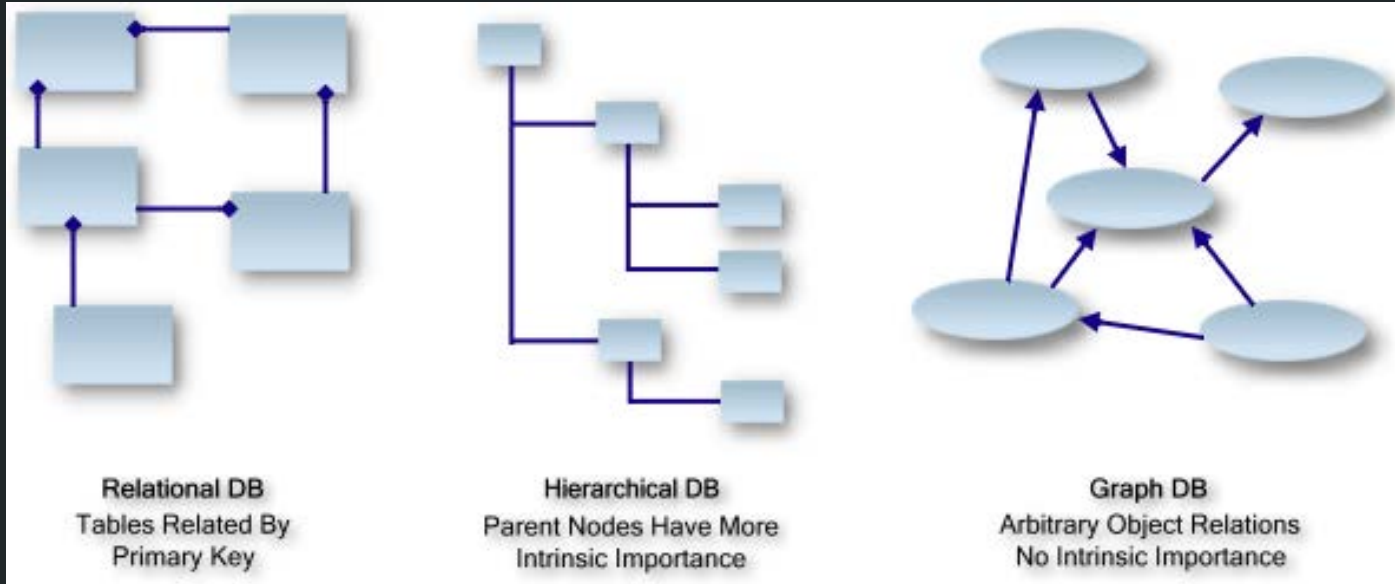
The Evolving Metadata Landscape: Positioning for the Future

- Aligning with national/international metadata communities
- Collaborative and proactive learning
- Being critical and practical

Planning

- BIBFRAME Discussion Group
 - Acquisitions, Cataloging & Metadata Services, UT Libraries
 - Book Cataloging, Harry Ransom Center
 - Metadata Services, Tarlton Law Library
- Goals
 - To understand BIBFRAME (and linked data) through group learning
 - To experiment and evaluate BF transformation process and related tools
 - To identify and explore linked data projects
- Progressive and Critical Learning

BIBFRAME Overview



Source: <http://www.linkeddatools.com/images/graphdb.png>



BIBFRAME Overview

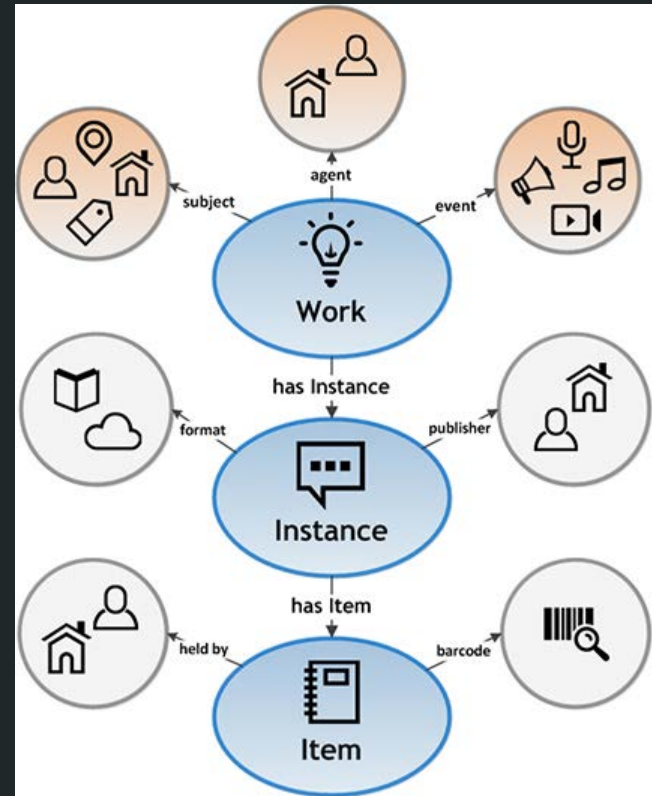
Pride and Prejudice was written by Jane Austen.

<http://id.loc.gov/authorities/names/n2002041181> <http://id.loc.gov/vocabulary/relators/aut> <http://id.loc.gov/authorities/names/n79032879.html>

BIBFRAME Overview

- Library of Congress initiative, launched in 2011
- Model, vocabulary, profiles
- Implementation testbeds & pilots
- Tool development

BIBFRAME 2.0 Model

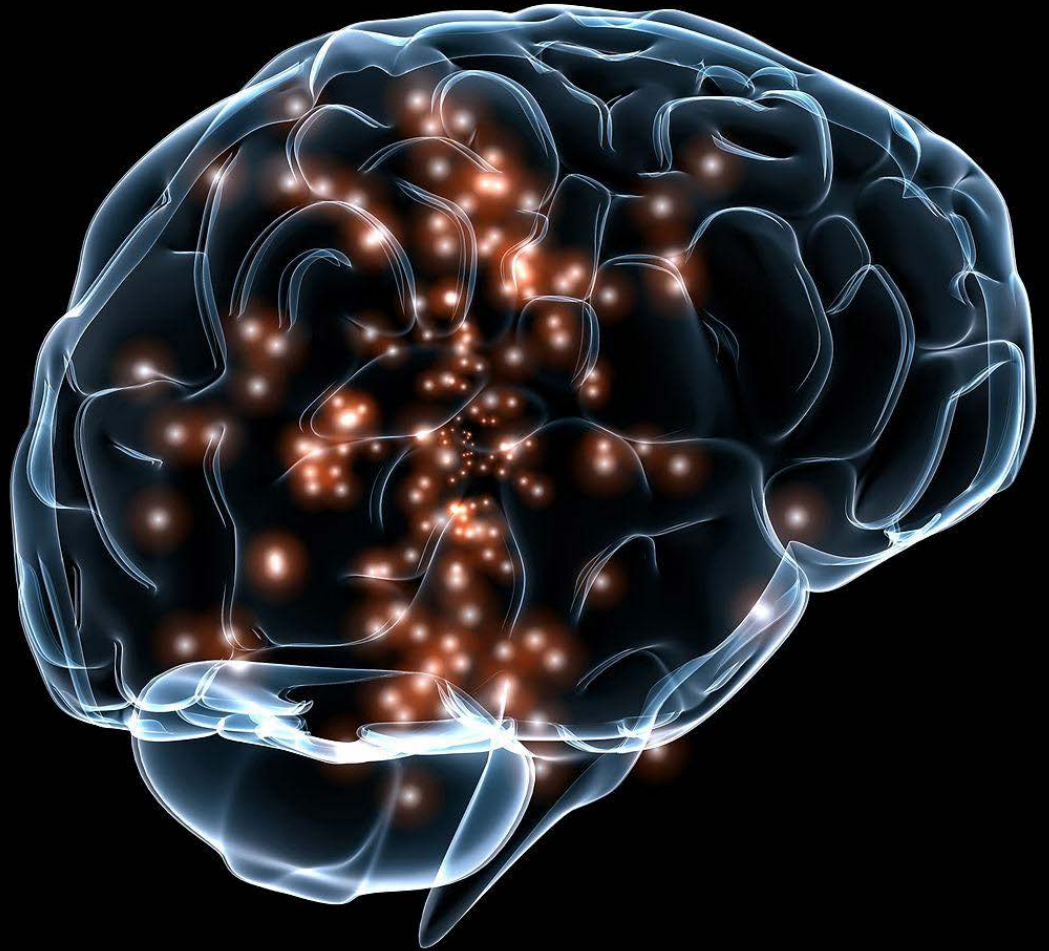


Source: <https://www.loc.gov/bibframe/docs/bibframe2-model.html>



Group learning strategies

December 2014
through
May 2016



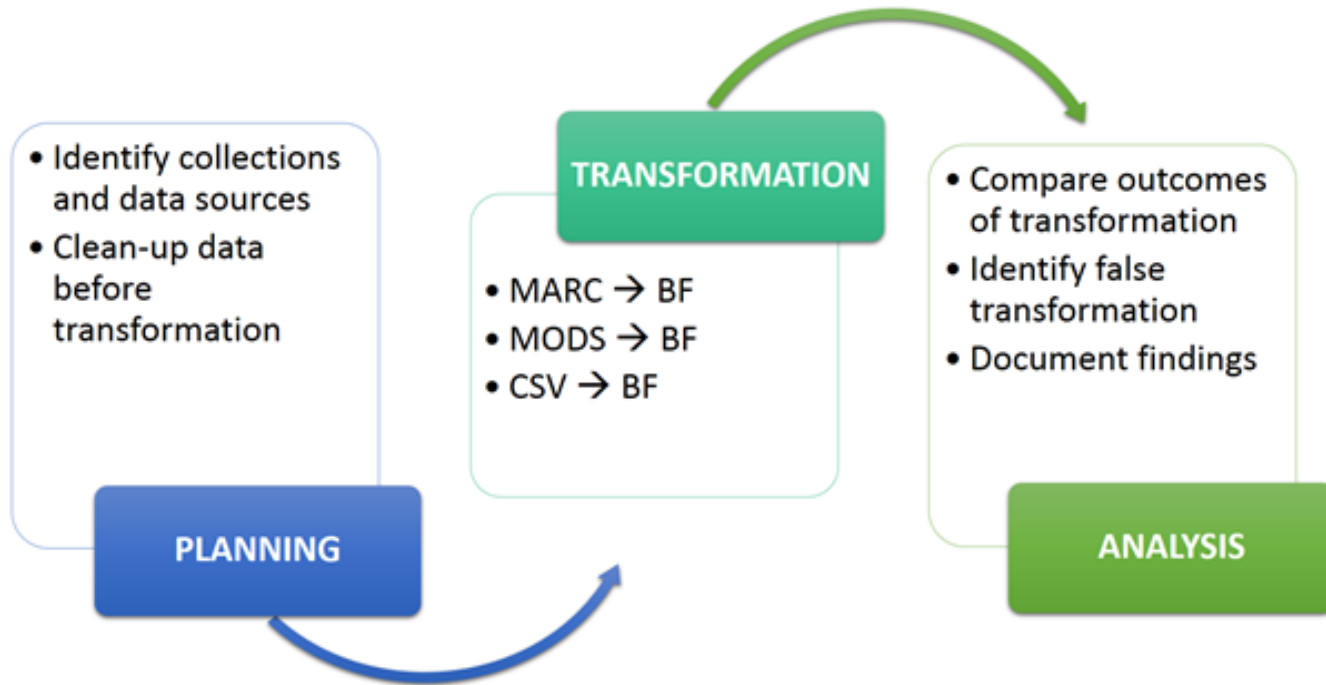
Source: https://commons.wikimedia.org/wiki/File:Neuronal_activity_DARPA.jpg



Group learning strategies

- 13 members
- Monthly meetings
- Critical discussion
- Centralized resource/documentation portal
- Professional Development
 - Zepheira 2015
 - Library Juice Academy 2016
- Turnaround training
- Experimentation & reporting
- Monitoring developments
- Synthesizing, sharing lessons learned

Experimentation goals & process

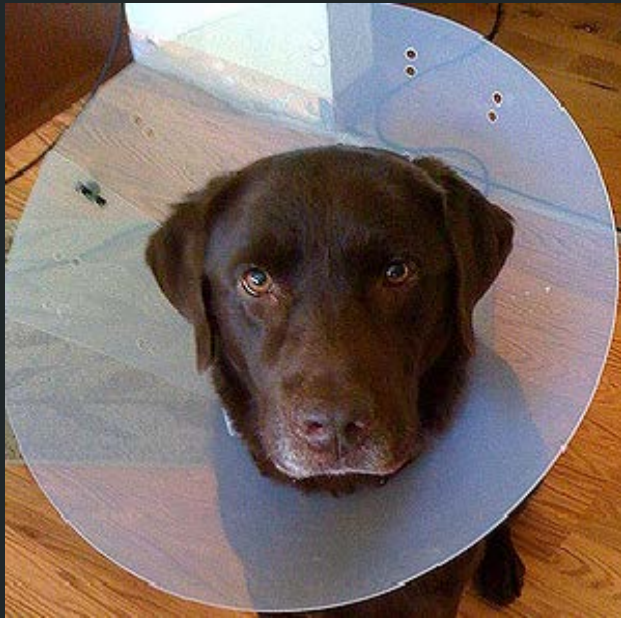


Transformation tools

- Open Refine - data clean up
- MarcEdit
- Zephira transformation
- Library of Congress transformation tool



Experimentation outcomes



- Significant data loss -
The MARC funnel
- Problematic or indecipherable mappings
- Incomplete user interfaces make assessment difficult
- Collaboration throughout life cycle is essential

Source: <https://www.flickr.com/photos/donabelandewen/3664253860>



Battle of the BIBFRAME Editors

Zephira's
BIBFRAME Scribe

VS.

LC's
BIBFRAME Editor



Source: <http://www.publicdomainpictures.net/view-image.php?image=157104&picture=background-wallpaper>



Two important caveats

- Scribe & LC Editor are in active development
- Findings apply to all formats



Sizing up the BIBFRAME Editors

- Scribe
 - Somewhat functional, not very intuitive
 - Vague element names, circular definitions (BIBFRAME Lite)
 - Appears designed by/for non-catalogers
- LC Editor
 - More functional & intuitive than Scribe
 - Element names, definitions aligned with RDA
 - Design influenced by catalogers



Resource profiles

- Scribe
 - 7 primary types
 - Article
 - Audio
 - Bibliography
 - Book
 - Dissertation
 - Map
 - Serial
- LC Editor
 - 6 primary types
 - Monograph
 - Notated music
 - Serial
 - Cartographic
 - BluRay DVD
 - Audio CD



Data elements: Scribe

- Vague field labels: What to input

Title* **Set**

Title proper? Preferred title?

Musician

Enter group performers here?



BIBFRAME Lite: Circular definitions

Attributes of **title proper**

Label

title proper

Description

The proper title

Remark

?!

Refines

■ title



Data elements: LC Editor

- Grouped by Work, Expression, Manifestation, or Item
- Reference to RDA guidelines

RDA Work Elements - Audio CD	
Creator of Work (RDA 19.2)	Principal Creator Other Creators
Preferred Title for a Musical Work (RDA 6.14.2)	Title
Variant Title for a Musical Work (RDA 6.14.3)	Title
Form of Work (RDA 6.3)	Form of Work
Date of Work (RDA 6.4)	Date of Work (RDA 6.4)



Other matters: Scribe

- Repeated fields
- Inappropriate fields
- Display issues

Creator

Type to search

[created] ✕

What was created?

1

Federal or State Government Document Call Number

UC Davis Library Call Number

National Library of Medicine Call Number

Library of Congress Call Number

2

Federal or State Government Document Call Number

UC Davis Library Call Number

National Library of Medicine Call Number

Library of Congress Call Number



Other matters: LC Editor

- Dropdown menus for certain elements

Content Type (RDA 6.9)

Content Type (RDA 6.9)

- No elements for:
 - Genre
 - Production statement
 - Digital file characteristics

Linked Data Beyond the Catalog - Knowledgebase

Ebook Library (AZZ)
<http://www.utxa.ebib.com/EBLWeb/patron/>
Ebook Library
UT Austin Only
890317 titles

Database Purchased 360 Link, 360 Summon

Titles (23964 tracked of 890317)

About

- Database Name: Ebook Library
- Provider Name: Ebook Library
- Collection: UT Austin Only
- Status: Purchased
- Title Coverage: ONLY SELECTED titles (23964 of 890317) [Manage Titles](#)

Discovery

- 360 Core: On
- 360 Link: On
- Summon: On

Configuration

- Database URL: <http://www.utxa.ebib.com/EBLWeb/patron/>
- Library Proxy: Off

Administration

- Admin Site URL: <http://www.utxa.ebib.com/EBLWeb/libCentral/>

Related Actions

- Manage Titles
- Upload Title List
- Download Title List
- Renewal Checklist
- Payment

Licenses (1)

- Ebook Library (Prevailing) - Active - Started May, 1 2007

Contacts (2)

- Aimée Leverette - Aimée.Leverette@proquest.com
- Edward (Ed) Loera - edward.loera@proquest.com

Callouts:

- Books we have purchased/tracked
- Describes where/how we get content and what "package" or database it's in
- Links to the license we have for the Vendor or the specific Package
- Shows our contacts with that Vendor
- Tells us it's on in our Link Resolver, A-Z and discovery tool
- Proxy info, access URL, etc.
- Admin login
- Our cost data is below

Linked Data Beyond the Catalog - Discovery

The screenshot shows a library discovery interface for the University of Texas Libraries. The search term 'mintel' is entered in the search bar, and 3,732 results are displayed, sorted by relevance. The interface includes a left sidebar with filters for 'REFINE YOUR SEARCH', 'CONTENT TYPE', 'DISCIPLINE', and 'PUBLICATION DATE'. The main results area shows a list of items, with the first item being '1. Mintel Global New Products Database (GNPD)'. Annotations highlight specific features: a red circle around a green arrow icon and the text 'Looking for the Mintel Database? You can find it here:' is linked to a callout box labeled 'Library recommendations'. Another red circle around an 'Altmetric 1' badge is linked to a callout box labeled 'Altmetric badges'. A large red callout box on the right side of the page states: 'This section can show topic information and link to subject experts and offer additional search terms'. The top right of the interface includes links for 'Ask a Librarian', 'Feedback', 'Help', and 'English'.

University of Texas Libraries

mintel Search

3,732 results sorted by relevance Add results beyond your library's collection

Looking for the Mintel Database?
You can find it here:

Library recommendations

1. **Mintel Global New Products Database (GNPD)**
by [Solis, Emmy](#)
Journal of Business & Finance Librarianship, 01/2016, Volume 21, Issue 1
Permalink
Journal Article: [Full Text Online](#) **Altmetric 1**

Altmetric badges

2. **Mintel report offers sales-boost hope**
Optometry Today, 09/2010, Volume 50, Issue 17
Permalink
...Despite feeling the effects of the recession in 2009, the latest **Mintel** report on British lifestyles suggests that the optical industry could prosper from...

3. **Mintel finds untapped patient group in report**
Optometry Today, 03/2010, Volume 50, Issue 6
Permalink
... the optician or has never had an eye examination. [ILLUSTRATION OMITTED] Research group **Mintel**, in its Optical Goods and Eyecare document, found that one-in-ten people...

4. **Market Research Databases: Comparison of Mintel Reports Academic, MarketLine Business Information...**

DISCIPLINE

Any

economics (1,560)

business (1,214)

diet & clinical nutrition (479)

geography (234)

engineering (180)

More...

PUBLICATION DATE

This section can show topic information and link to subject experts and offer additional search terms

Linked Data Beyond the Catalog - Link Resolver

We use cookies to enhance your experience on our website. By clicking 'continue' or by continuing to use our website, you are agreeing to our use of cookies. You can change your preferences at any time.

OXFORD UNIVERSITY PRESS Journals

Journals > Medicine & Health > European Heart Journal > Volume 35, Issue 36 > Pp. 2433 - 2440


European Heart Journal

About Submit Subscribe Advertise ESC journals Jobs

Editor-in-Chief
Thomas F. Lüscher

Deputy Editors
Jeroen Bax,
Bernard J. Gersh,
Gerhard Hindricks,
Ulf Landmesser,
Christian M. Matter,
Frank Ruschitzka,
William Wijns

IMPACT FACTOR 15.203

Published on behalf of
 EUROPEAN HEART JOURNAL

Why is Obamacare so controversial?
Author: Cole, G. D.
Journal: European heart journal
ISSN: 0195-668X
Date: 09/21/2014
Volume: 35 Issue: 36 Page: 2433-2440
DOI: 10.1093/eurheartj/ehu287

Altmetric 23

Journal Details

Peer Reviewed: Yes Open Access: No

Description: Publishes quality material, both clinical and scientific, on all aspects of Cardiovascular Medicine.

Subject(s): MEDICAL SCIENCES - CARDIOVASCULAR DISEASES

Country: United Kingdom

Language: English

Publication Frequency: Other

Content Types: Academic / Scholarly

Altmetrics badge

DOI

Peer Review and Open Access

Type of resource



Linked Data Beyond the Catalog – Next Gen LSP



Source: Web by david reid CC BY-NC 2.0
<https://flic.kr/p/3mBRSY>

Lessons Learned - Successes

- Gained knowledge of linked data, BIBFRAME
- Increased confidence with data transformation tools
- Achieved effective learning through group collaboration and experimentation
- Broadened perspectives beyond BIBFRAME
- Fostered/strengthened collaborative relationships



Lessons Learned - Challenges

- Are we ready for post-MARC?
- How do we keep up with constant changes in development?
- How do we begin conversations with the rest of the library about linked data?
- How do we build our skills around linked data?
- How do we develop metadata services around BIBFRAME/linked data?



Future Work

- Create workflows for metadata batch processing
- Identify metadata services around linked data
- Help build technical infrastructure
- Engage in metadata outreach

Source: I see a rainbow rising by Brad

<https://www.flickr.com/photos/hedgey2008/8520477044/ty/dateposted/>



Questions? Comments?