



Rana, S., & Pamunuwa, D. (2017). Moment-driven bifurcated non-volatile nano-electromechanical relay. Manuscript submitted for publication. (Patent No. *1721670.6*).

Early version, also known as pre-print

[Link to publication record in Explore Bristol Research](#)
PDF-document

University of Bristol - Explore Bristol Research

General rights

This document is made available in accordance with publisher policies. Please cite only the published version using the reference above. Full terms of use are available:
<http://www.bristol.ac.uk/pure/about/ebr-terms>

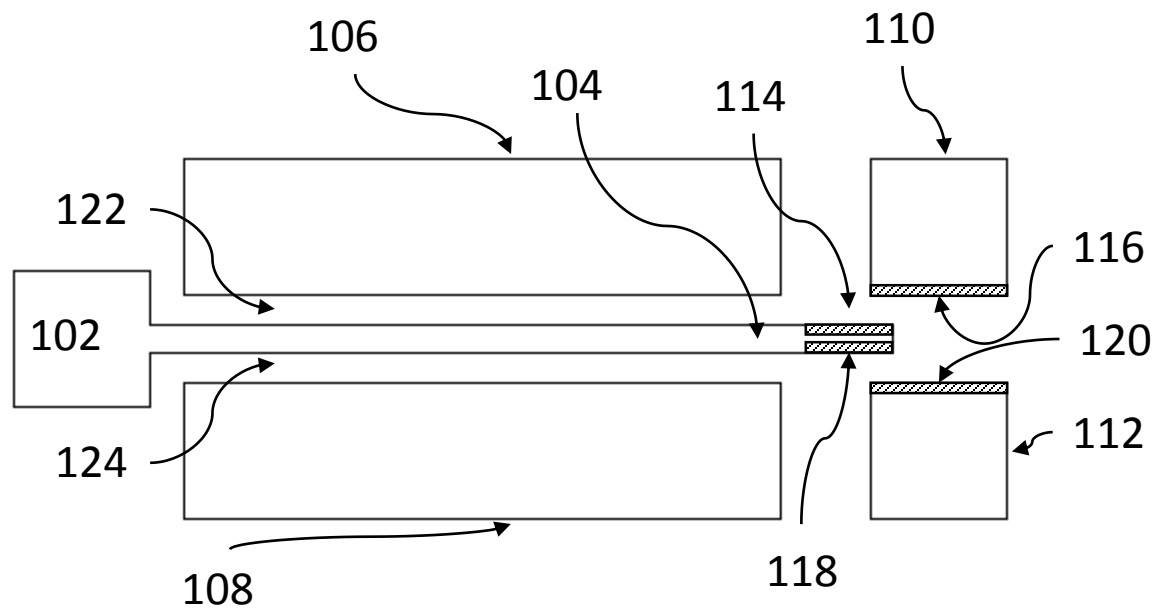


Figure 1A

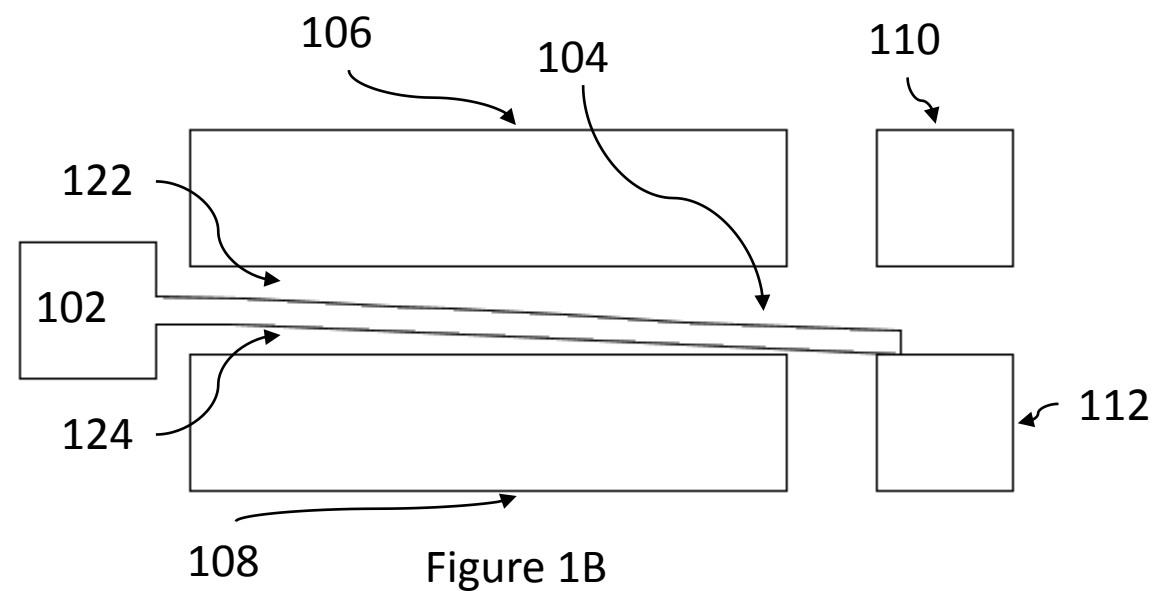


Figure 1B

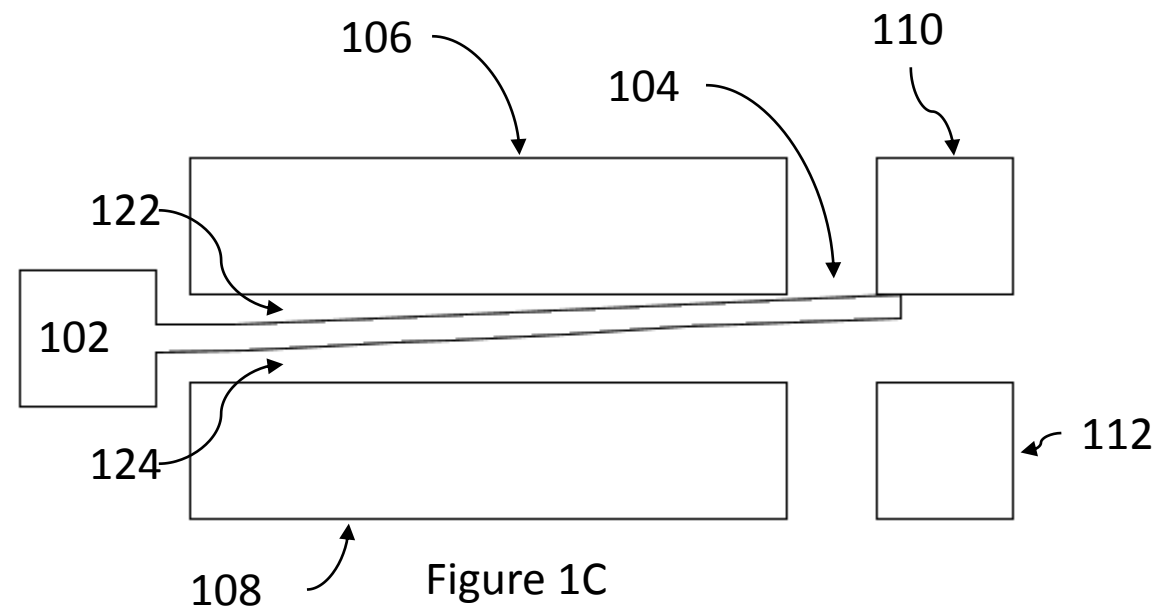


Figure 1C

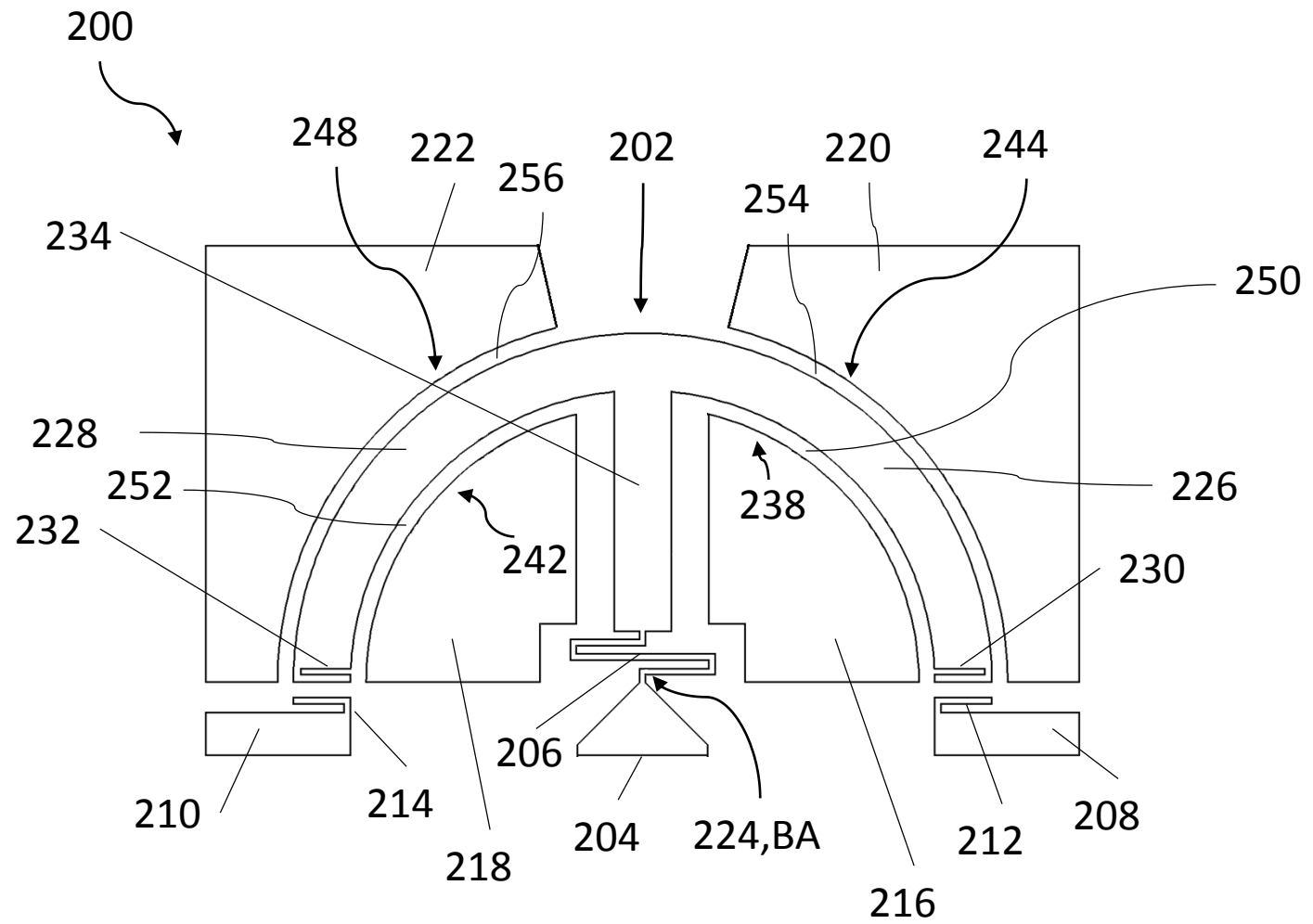


Figure 2

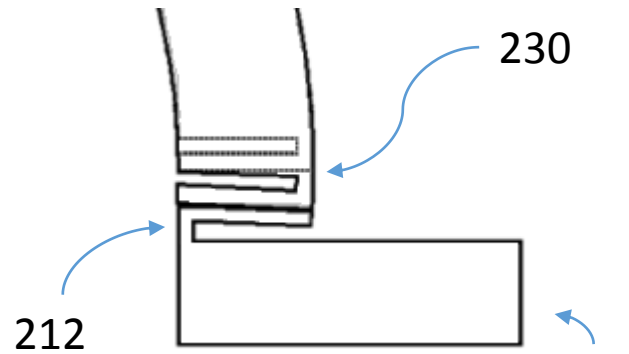


Figure 3

