

**KERNFORSCHUNGSZENTRUM
KARLSRUHE**

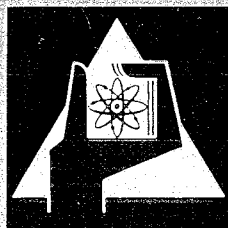
März 1969

KFK 947

Institut für Experimentelle Kernphysik

Investigation of the Reaction ${}^3\text{He}(d, p){}^4\text{He}$ with
a Polarized ${}^3\text{He}$ Target and 52 MeV Deuterons

H. Brückmann, F.K. Schmidt



GESELLSCHAFT FÜR KERNFORSCHUNG M. B. H.

KARLSRUHE

KERNFORSCHUNGSZENTRUM KARLSRUHE

March 1969

KFK 947

Institut für Experimentelle Kernphysik

Investigation of the reaction ${}^3\text{He}(d,p){}^4\text{He}$ with
a polarized ${}^3\text{He}$ target and 52 MeV deuterons*)

H. Brückmann, F.K. Schmidt

Gesellschaft für Kernforschung m.b.H. Karlsruhe

*) submitted to Nuclear Physics

Introduction

In recent years general interest was paid to the investigation of polarization phenomena in low and high energy physics. Polarization in the entrance channel obtained by the use of polarized beams or targets provides enlarged insight in details of nuclear forces and structure. In addition to polarized hydrogen targets optical pumped polarized ^3He targets are used in nuclear reaction studies.

At several deuteron energies up to 10 MeV the angular distribution of the proton asymmetry was investigated in the reaction $^3\text{He}(d,p)^4\text{He}$ (1). Measurements of the proton polarization which were carried out with an unpolarized entrance channel at the same energies supplied further information (2). For theoretical interpretation the optical model and the method of invariant amplitudes has been used by several authors (3), (4), (5). From these low energy experiments one has been able to conclude, that between the asymmetry A and the polarization P , the relation $P=-A$ is to be taken as a fairly good approximation. In order to extend the data available to higher energies an experimental investigation of the $^3\text{He}(d,p)^4\text{He}$ reaction was carried out at the Karlsruhe isochronous cyclotron. The reaction was induced by 52 MeV deuterons. The proton asymmetry was measured at center of mass angles between 30.5 and 74.2 degrees.

Polarization of the ^3He target by optical pumping.

The design of our polarized ^3He target is based on the techniques of optical pumping as described by Walters et al. (6). The metastable $^3\text{S}_1$ -state of ^3He is the basic state of the optical pumping cycle. Circularly polarized radiation of 10830 Å from a ^4He gas discharge lamp is used for pumping. In a suitable environment such as a very clean pyrex glass bulb and in the absence of appreciable magnetic field gradients high polarization of up to 0,25 can be achieved. But such high polarizations can be only obtained at gas pressures of one mm Hg and lower. For nuclear physics experiments a higher pressure and extremely thin glass walls are desirable. The polarization is then always below the above stated value.

The targets used in our experiments were pyrex glass vessels in the shape of bulbs of 5-6 cm diameter. The walls were 30-50 μ thick. They were filled with carefully purified ^3He gas at a pressure of 6-8 mm Hg. The degree of polarization was evaluated by means of optical absorption measurement using the relations given by Shearer (7). The polarization achieved was 0,1 typically. Details of our optical pumping system will be discussed with respect to the use of ^3He gas as a target in nuclear reaction studies in a separate publication.

The experimental setup

The 52 MeV deuteron beam of the Karlsruhe isochronous cyclotron was focused on the target cell which was located in the center of the scattering chamber. Fig. 1 shows the setup. The optical pumping and polarization measurement device was outside of the evacuated scattering chamber. Two detector systems, consisting of thin NaJ-crystals coupled to photomultipliers were located at positions symmetrical to the primary beam axis. Slits were used near the scattering chamber and in front of the NaJ-crystals to define the effective volume of the target. The dimensions of the slits had to be chosen very carefully to eliminate all charged particles created in the walls of the glass cell by the primary deuteron beam. The background was reduced to a sufficiently low level by the additional use of neutron shields made from lead and paraffin wax. The total charge of the deuteron beam was collected in a Faraday cup. Two detectors at small forward angles allowed to monitor the position of the primary beam. The magnetic field of 60 G was produced by Helmholtz coils mounted outside of the scattering chamber. The magnetic field direction was perpendicular to the reaction plane. In Fig. 2 the schematic diagram of the electronics used is shown. The energy signals E_R and E_L of the two counters were amplified and summed. A discriminator was used to prevent low energy signals from reaching the input of the two dimensional analyzer. For the purpose of particle identification timing signals t_R and t_L were derived from the two detectors. The special time of flight method described in (8) allowed particle identification by the use of energy and timing signals. The corresponding energy and timing signals were registered in a two dimensional 4096 channel analyzer.

Fig. 1. SCHEMATIC DRAWING OF THE APPARATUS

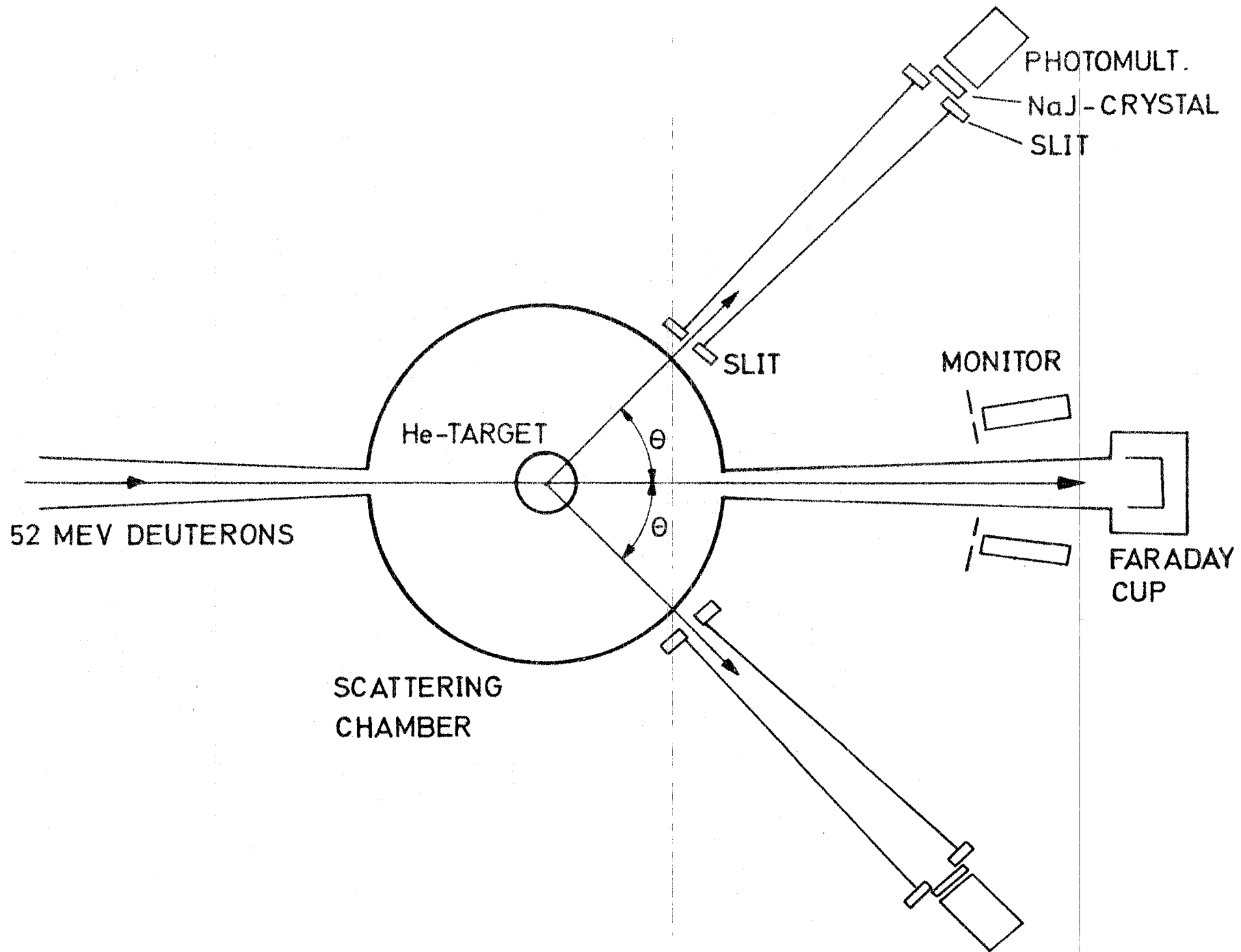
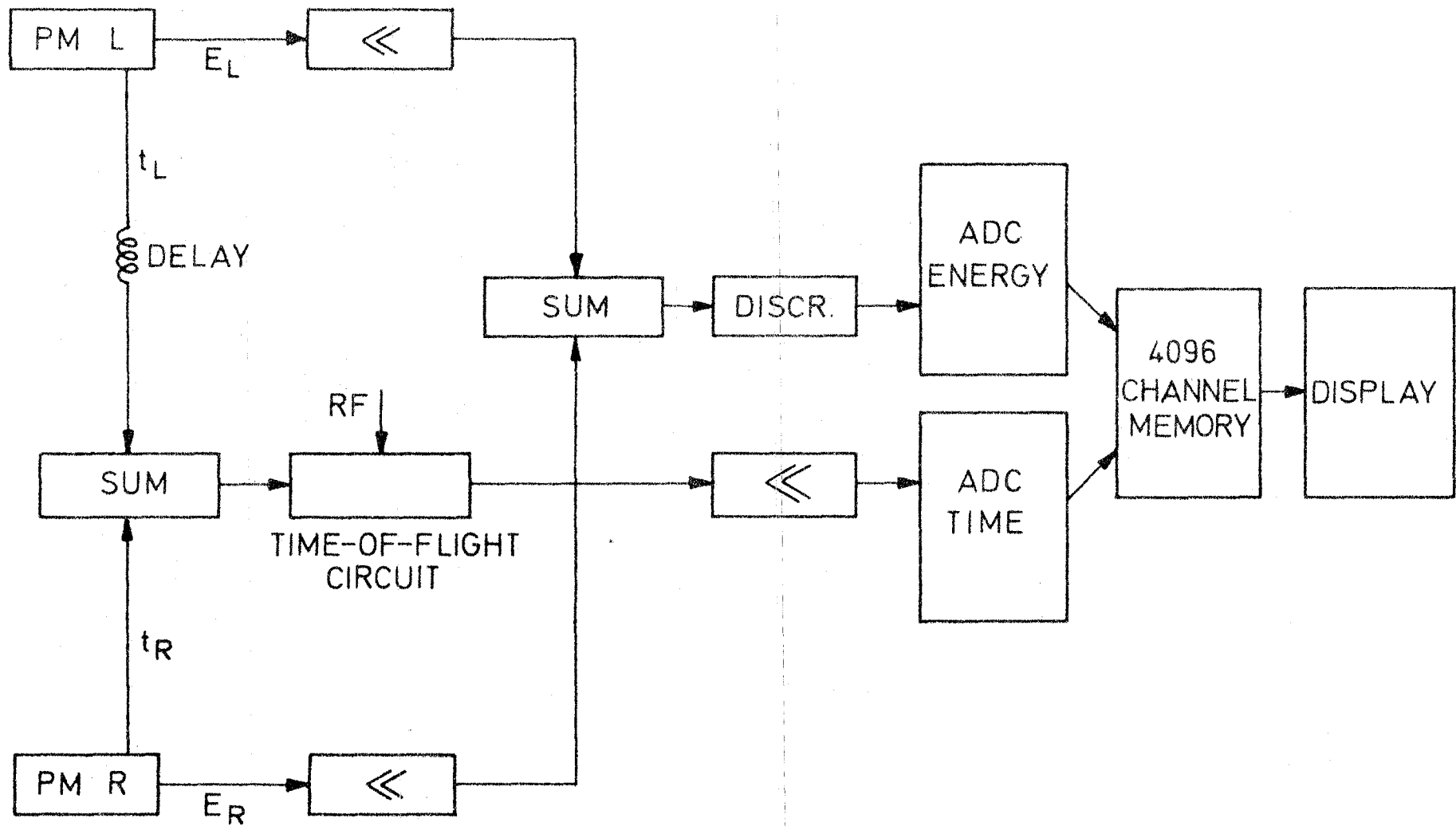


Fig.2. SCHEMATIC DIAGRAM OF THE ELECTRONIC SET-UP.



Two dimensional plots energy versus time were obtained as illustrated in (8).

By applying a delay line in the path of one of the time signals the two dimensional spectra of the two detectors were shifted against each other. In this way a sum spectrum was obtained where both single spectra did not overlap in their essential parts.

The measurement and the discussion of the errors.

The asymmetry which is to be measured $A(\theta)_{LR}$ is given by the expression:

$$A(\theta)_{LR} = \frac{1}{p} \cdot \frac{\sigma(\theta)_L - \sigma(\theta)_R}{\sigma(\theta)_L + \sigma(\theta)_R}$$

p is the target polarization. $\sigma(\theta)_L$ and $\sigma(\theta)_R$ are the differential cross sections for the production of the protons at the angle θ to the left and right half of the scattering plane.

The left half of the scattering plane is defined by the momentum of the reaction proton, the momentum of the incoming deuteron and the target polarization vector forming a left handed system in this sequence. To obtain this asymmetry A_{LR} independent from apparative asymmetries measurements were made for opposite target polarization directions. For each direction an asymmetry a_{LR} ,

$$a_{LR} = \frac{1}{p} \cdot \frac{L(\theta) - R(\theta)}{L(\theta) + R(\theta)}$$

was measured. For the evaluation of A_{LR} the two experimental values a_{LR} were averaged.

$L(\theta)$ and $R(\theta)$ are the counting rates of the protons ^{belonging to} the left and right detector. The described method supplies correct values for the asymmetry A_{LR} , if three conditions are fulfilled.

Firstly, during each pair of runs, which corresponds to opposite target polarization directions the position and the direction of the primary beam are not allowed to change. This condition was controlled by the two monitors. Furthermore the shape of the two dimensional spectra turned out to be very sensitive to the beam geometry. The spectra were used as a second independent control of

beam stability.

Secondly, the apparatus asymmetry should not be affected by reversing the polarization of the target. The here used procedure to reverse the target polarization is not able to affect the primary beam or the reaction protons. This special feature arises because the direction of the target polarization is determined only by the direction of the circularly polarized pumping light.

Thirdly, the two detectors and the electronics have to register the protons with probabilities which do not change with time. This was assured by summing both the energy signals and the timing signals from the two detectors. Fig. 2 shows, that the critical parts of the electronics were common to both detectors. In this circuit the dead time is determined only by the common part of the electronics. Hence, the dead time is identical for both counting rates, and dead time corrections can be omitted.

Results and discussion

In fig. 3 the results of the asymmetry measurement are displayed. The solid dots show the proton asymmetry of the reaction ${}^3\text{He}(d,p){}^4\text{He}$ as a function of the center of mass angles. The statistical errors are indicated by bars. The asymmetry shows predominantly negative values in the angular region investigated.

The maximum value $A_{LR} = -0.38 \pm 0.11$ is reached at 56.5 degrees and the asymmetry vanishes near 35 and 75 degrees. For comparison the asymmetry of the deuterons of the reaction ${}^4\text{He}(p,d){}^3\text{He}$ is plotted. The deuteron asymmetry was measured with a polarized proton beam of 65 MeV (9). From time reversal invariance one is able to conclude that the deuteron asymmetry in this reaction is equal to the proton polarization measured with an unpolarized entrance channel in the reaction ${}^3\text{He}(d,p){}^4\text{He}$. The data given in (9) correspond to a deuteron energy of 54 MeV and allow a comparison between the angular distribution of the proton polarization and asymmetry in the reaction ${}^3\text{He}(d,p){}^4\text{He}$. The two curves in fig. 3 are only connecting the experimental values.

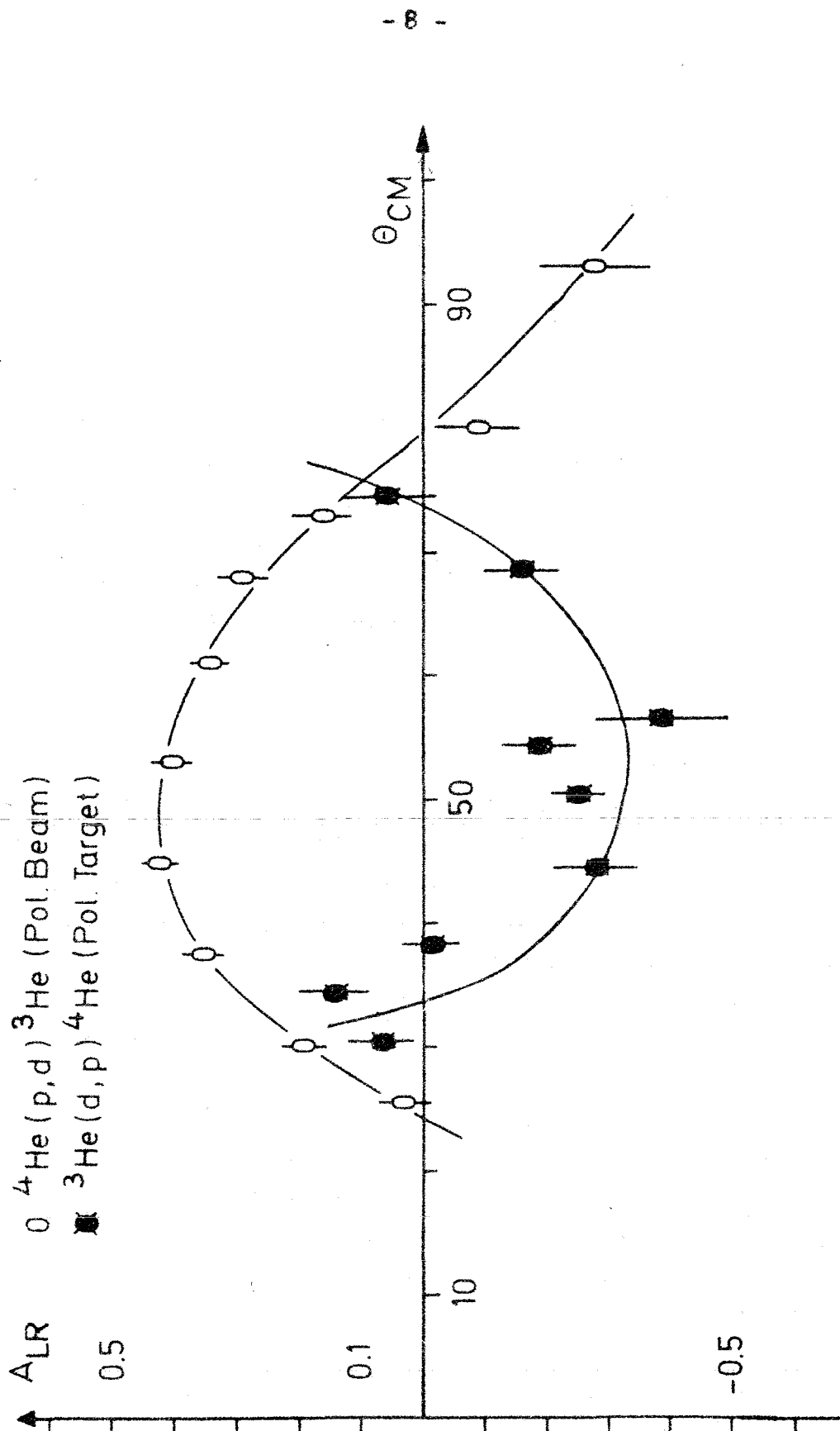


Fig.3. EXPERIMENTAL RESULTS

The main features of these data are the following. The absolute maximum values of the polarization and of the asymmetry are nearly the same and the sign of the two quantities are opposite within a large part of the measured angular range. The relation $P = -A$ can be only taken as a rough approximation. A comparison with the low energy data shows, that the deviation of this relation near the zero crossing points is even more significant at high energies. Several attempts have been made to explain the low energy data (1), (2) by theoretical approach. By means of conventional direct reaction theory it was found (3), that the relation $P = -A$ is only obtained if tensor forces are active between the proton and the ^3He nucleus. An other investigation using coupled channel methods (4) was even able to fit the zero crossing points of both distributions. For this analysis too tensor terms in the potentials were necessary.

The here reported measurement of the proton asymmetry using a polarized target, which is the first above 10 MeV, adds one more evidence for the necessity of tensor terms for the description of nuclear forces.

The authors are indebted to Prof. Dr. A. Citron and Prof. Dr. H. Schopper for their continuous interest in this work. The assistance of Dr. W. Kluge, Dr. L. Schänzler, H. Matthäy and K. Wick in taking the data is gratefully acknowledged. Thanks are due to Dr. G. Schatz and his staff for operating the cyclotron.

References

- (1) S.D. Baker, G. Roy, G.C. Phillips, G.K. Walters,
Phys. Rev. Lett. 15 (1965) 115
- (2) R.I. Brown, W. Haeberli, Phys. Rev. 130 (1963) 1163
- (3) M. Tanifuji, Phys. Rev. Lett. 15 (1965) 113
- (4) B. Defacio, R.K. Umerjee, J.R. Gammel,
Phys. Lett. 25B (1967) 449
- (5) P.L. Csonka, M.J. Moravcsik, M. Scadron,
Phys. Rev. 143 (1966) 775
- (6) F.D. Colegrove, L.D. Schearer, G.K. Walters,
Phys. Rev. 132 (1963) 2561
- (7) L.D. Schearer, Thesis, Rice University, Houston, Tex. 1966
- (8) H. Brückmann, E.L. Haase, W. Kluge, L. Schänzler,
Nucl. Instr. and Meth. 63 (1968) 29
- (9) E.T. Boschitz, M. Chabre, M.E. Conzett, R.J. Slobodrian
Proceedings of the 2nd International Symposium on Polariza-
tion Phenomena of Nucleons, 1966, Birkhäuser Verlag,
Basel.