

First published in:

Europhysics Letters

PREPRINT

Tunable coupling of qubits: nonadiabatic corrections

CARSTEN HUTTER¹, ALEXANDER SHNIRMAN¹, YURIY MAKHLIN², AND GERD SCHÖN¹¹ *Institut für Theoretische Festkörperphysik and DFG-Center for Functional Nanostructures (CFN), Universität Karlsruhe, D-76128 Karlsruhe, Germany.*² *Landau Institute for Theoretical Physics, Kosygin st. 2, 119334 Moscow, Russia.*

PACS. 85.25.Hv – Superconducting logic elements and memory devices; microelectronic circuits.

PACS. 03.67.Lx – Quantum computation.

Abstract. – We analyze the coupling of qubits mediated by a tunable and fast element beyond the adiabatic approximation. The nonadiabatic corrections are important and even dominant in parts of the relevant parameter range. As an example, we consider the tunable capacitive coupling between two charge qubits mediated by a gated Josephson junction, as suggested by Averin and Bruder. The nonadiabatic, inductive contribution persists when the capacitive coupling is tuned to zero. On the other hand, the total coupling can be turned off (in the rotating wave approximation) if the qubits are operated at symmetry points.

Introduction. – Most approaches to quantum computation rely on tunable interactions between pairs of qubits. These should be turned off for independent single-qubit manipulations and to reduce crosstalk of qubits during readout, and they should be turned on selectively in a controlled way in order to perform two-qubit logic gates. In principle, refocussing techniques, known from NMR, can be used to suppress the effect of fixed (uncontrolled) couplings, but they require considerable overhead and precision of the pulses. Thus tunable setups, which allow minimizing the residual couplings, are desired. At this stage, most experiments with Josephson qubits [1–6] have been performed with direct and fixed couplings. But various schemes with tunable couplings have been proposed [7–20]. Some of them gain their tunability from ac-driving [19, 20], but the majority relies on additional circuit elements, such as switchable Josephson junctions, inductors, LC circuits (cavities), or further qubits. One can distinguish two operation principles: For “resonant” couplers [9, 10, 15] the coupling element, typically an oscillator, is tuned into resonance with one or both qubits. Alternatively one can use “adiabatic” couplers [7, 8, 11–14, 16–18], where the coupling element has a much higher excitation energy than the qubits and remains in its ground state while mediating the coupling. In the following we will concentrate on these adiabatic coupling schemes.

Some early proposals [7, 8] made use of a fixed coupler, but gained tunability by using SQUID-type qubits with flux-controlled Josephson energies. They suffer from the difficulty that the coupling can be switched off only if one succeeds in fabricating identical junctions. The alternative approaches, proposed more recently, employ a tunable coupler which – ideally – can be tuned to cancel fixed existing couplings [11, 14, 18]. In addition, by modulating the coupling

© EDP Sciences

constant around such “zero” points one can tune two qubits with different energy splittings into resonance, while keeping both at their symmetry points where decoherence effects are minimized [17, 18]. In this Letter we will show that nonadiabatic corrections are important around such “zero” coupling points. For example, we find that a gated Josephson junction produces, in addition to a tunable capacitive coupling, an inductive one, which dominates when the capacitive interaction is switched off. The importance of inductive corrections in the charging regime of Josephson junctions has recently been pointed out also by Zorin [21]. Certain nonadiabatic corrections were also noted in ref. [18].

Below, we first present a general theory of tunable adiabatic coupling. As specific example we analyze the setup with tunable capacitive coupling proposed by Averin and Bruder [11] and demonstrate the importance of inductive corrections in different regimes. When the charging energy of the coupling junction dominates over the Josephson energy, $E_C \gg E_J$, the inductive coupling is weak, but is important when the capacitive interaction is tuned to zero. In the opposite limit, $E_J \gg E_C$, the inductive coupling always dominates over the weak capacitive interaction, and we recover earlier results for inductively coupled charge qubits [22]. In the present discussion we concentrate on charge qubits, but our general formulation and conclusions apply equally to other types of qubits and couplers.

General theory. – We consider a system of two qubits coupled via an adiabatic coupler and described by the Hamiltonian

$$H = H_0 + V = H_{\text{qubits}} + H_{\text{coupler}}(\gamma) + V . \quad (1)$$

The coupler is controlled by a parameter γ . We assume an interaction of the form $V = \lambda AB$, where λ is the coupling constant, A an observable of the coupler, and B an arbitrary function of observables of both qubits. In general H_{qubits} includes a direct and fixed coupling between qubits. In the following we consider the situation, where this fixed coupling is (nearly) canceled by tuning the coupler appropriately.

The coupler Hamiltonian can be brought into diagonal form, $H_{\text{coupler}} = \sum_{m=0}^{\infty} E_m |m\rangle \langle m|$, where both the eigenstates $|m\rangle$ and energies E_m depend on γ . The small parameter governing the adiabatic approximation is $|H_{\text{qubits}}|/(E_1 - E_0)$, where $|H_{\text{qubits}}|$ denotes the maximum energy difference between the eigenstates of H_{qubits} . To proceed we integrate out the coupler and derive an effective Hamiltonian in the subspace of slow degrees of freedom of the qubits. The effective interaction V_{eff} is found by projecting the full time-evolution operator $S(t, 0) = T \exp[-i \int_0^t V_I(t') dt'/\hbar]$ (in the interaction representation) onto the ground state of the coupler, $S_{\text{eff}}(t, 0) \equiv \langle 0| S(t, 0) |0\rangle$, and defining

$$S_{\text{eff}}(t, 0) = T \exp\left[-\frac{i}{\hbar} \int_0^t V_{\text{eff},I}(t') dt'\right] . \quad (2)$$

We assume the interaction to be weak, such that $\lambda \langle A \rangle \langle B \rangle / (E_1 - E_0) \ll 1$, for all matrix elements of A and B . Expanding the evolution operator $S_{\text{eff}}(t, 0)$ up to second order we find

$$\begin{aligned} S_{\text{eff}} \approx 1 & - \frac{i\lambda}{\hbar} \int_0^t \langle 0| A_I(t') |0\rangle B_I(t') dt' \\ & + \left(\frac{i\lambda}{\hbar}\right)^2 \int_0^t \int_0^{t_1} \langle 0| A_I(t_1) A_I(t_2) |0\rangle B_I(t_1) B_I(t_2) dt_1 dt_2 . \end{aligned} \quad (3)$$

The first order contribution to $V_{\text{eff},I}$ is thus given (in the Schrödinger representation) by

$$V_{\text{eff}}^{(1)} = \lambda \langle 0| A |0\rangle B . \quad (4)$$

To find the second order contribution we insert the unity, $\sum_m |m\rangle \langle m|$, in the last term of eq. (3) between the two coupler operators. The part with $m = 0$ is the second order, reducible term in the expansion of $T \exp[-i \int_0^t V_{\text{eff},I}^{(1)}(t') dt' / \hbar]$. The terms with $m \neq 0$ give rise to a new contribution $\tilde{V}_{\text{eff},I}^{(2)}$ to the effective interaction Hamiltonian, defined by

$$\int_0^t \tilde{V}_{\text{eff},I}^{(2)}(t') dt' = -i \frac{\lambda^2}{\hbar} \sum_{m=1}^{\infty} |\langle 0 | A | m \rangle|^2 \cdot I_m, \quad (5)$$

where $I_m \equiv \int_0^t \int_0^{t_1} B_I(t_1) B_I(t_2) e^{i(E_0 - E_m)(t_1 - t_2)/\hbar} dt_1 dt_2$. Introducing $\tau = t_1 - t_2$ and $T = (t_1 + t_2)/2$ we rewrite the integral as

$$I_m = \int_0^t dT \int_0^{F(T)} d\tau B_I(T + \tau/2) B_I(T - \tau/2) e^{-i\omega_{m0}\tau}, \quad (6)$$

where $\omega_{m0} = (E_m - E_0)/\hbar$ and $F(T) = 2 \min(T, t - T)$. Because of the assumed separation of time scales, B_I varies slowly on the time scale ω_{m0}^{-1} , and can be expanded,

$$I_m \approx \int_0^t dT \int_0^{F(T)} d\tau e^{-i\omega_{m0}\tau} \cdot \left[B_I(T) + \frac{\tau}{2} \dot{B}_I(T) + \frac{\tau^2}{8} \ddot{B}_I(T) + \dots \right] \left[B_I(T) - \frac{\tau}{2} \dot{B}_I(T) + \frac{\tau^2}{8} \ddot{B}_I(T) + \dots \right]. \quad (7)$$

For $T \gg \omega_{m0}^{-1}$ we can set $F(T) \rightarrow \infty$. Substituting the resulting I_m into eq. (5) we find the second-order contribution to the effective Hamiltonian (in the Schrödinger picture)

$$\tilde{V}_{\text{eff}}^{(2)} = -\frac{\lambda^2}{\hbar} \sum_{m=1}^{\infty} |\langle 0 | A | m \rangle|^2 \left[\frac{B^2}{\omega_{m0}} + \frac{i[B, \dot{B}]}{2\omega_{m0}^2} + \frac{[2\dot{B}^2 - \{B, \ddot{B}\}]}{4\omega_{m0}^3} + \dots \right]. \quad (8)$$

Note that the time derivatives in the Schrödinger picture should be understood as commutators, *e.g.*, $\dot{B} = i[H_{\text{qubits}}, B]/\hbar$.

The effective Hamiltonian so far is $\tilde{H}_{\text{eff}} \approx H_{\text{qubits}} + V_{\text{eff}}^{(1)} + \tilde{V}_{\text{eff}}^{(2)}$. To simplify the last term of $\tilde{V}_{\text{eff}}^{(2)}$ an “integration by parts” can be performed which adds a full time derivative to $\tilde{V}_{\text{eff}}^{(2)}$. This is achieved by a unitary transformation $H_{\text{eff}} = U \tilde{H}_{\text{eff}} U^{-1}$, where $U = \exp[iQ]$ and $Q = \sum_{m \geq 1} \frac{\lambda^2}{4\hbar^2 \omega_{m0}^3} |\langle 0 | A | m \rangle|^2 \{B, \dot{B}\}$. This yields $V_{\text{eff}}^{(2)} = \tilde{V}_{\text{eff}}^{(2)} + i[Q, H_{\text{qubits}}]$, *i.e.*

$$V_{\text{eff}}^{(2)} = -\frac{\lambda^2}{\hbar} \sum_{m=1}^{\infty} |\langle 0 | A | m \rangle|^2 \cdot \left[\frac{B^2}{\omega_{m0}} + \frac{i[B, \dot{B}]}{2\omega_{m0}^2} + \frac{\dot{B}^2}{\omega_{m0}^3} + \dots \right]. \quad (9)$$

The full effective Hamiltonian thus reads

$$H_{\text{eff}} = H_{\text{qubits}} + V_{\text{eff}}^{(1)} + V_{\text{eff}}^{(2)} + O(\lambda^3). \quad (10)$$

Together with eqs. (4) and (9) it constitutes our main result. The tunable part of the coupling, eq. (9), depends via $|m(\gamma)\rangle$ and $\omega_{m0}(\gamma)$ on the parameter γ . For time-independent qubit operators B_I we recover the results of the Born-Oppenheimer approximation. Indeed, eqs. (4) and (9) (with $\dot{B} = 0$) can be obtained by expanding the ground-state energy $E_0(B)$ of the coupler and the interaction term λAB in λ . In general $B_I(T)$ depends on time, and we obtain nonadiabatic corrections. In the considered limit, they are smaller than the adiabatic contributions, however, they still dominate the *total* qubit coupling, if the tunable adiabatic part in eq. (9) (approximately) cancels further direct coupling terms in H_{qubits} . Below we analyze the nonadiabatic corrections for specific systems.

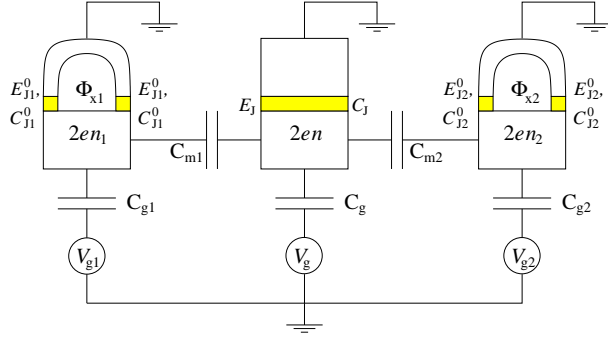


Fig. 1 – Tunable capacitive coupler proposed in ref. [11]. We slightly modified the system by introducing the gate capacitor at the coupler. This influences the expressions for the gate charges but does not change the form of the Hamiltonian. The effective qubit Josephson energies can be tuned using control fluxes in the SQUID loops. To simplify expressions, we assume the SQUIDS to be symmetric. Then $E_{Jk} = 2E_{Jk}^0 \cos(\pi\Phi_{xk}/\Phi_0)$ and $C_{Jk} = 2C_{Jk}^0$, where E_{Jk}^0 is the Josephson energy of one of the SQUID's junctions and C_{Jk}^0 is its capacitance. The charging energies are given by $E_C = 2e^2/(C_\Sigma - \sum_k C_{mk}^2/C_{\Sigma k})$ and $E_{Ck} = 2e^2/C_{\Sigma k}$, where $C_\Sigma = C_J + C_g + C_{m1} + C_{m2}$ and $C_{\Sigma k} = C_{Jk} + C_{gk} + C_{mk}$.

Tunable capacitive coupling. – The system shown in fig. 1, which is similar to the one proposed in ref. [11], provides an example of tunable capacitive coupling. It is described by the Hamiltonian $H = E_C[n - n_g - q(n_1, n_2)]^2 - E_J \cos \phi + \sum_{k=1,2} H_k$ with single-qubit Hamiltonians $H_k = E_{Ck}(n_k - n_{gk})^2 - E_{Jk} \cos \phi_k$. Here ϕ and ϕ_k are the phase differences across the coupling junction and of the qubits, respectively. The (dimensionless) gate charges of the qubits only depend on the applied gate voltages, $n_{gk} = C_{gk}V_{gk}/2e$. But the gate charge of the middle junction consists of $n_g = C_g V_g/2e$ plus the gate charge induced by the two qubits, $q(n_1, n_2) = -\sum_k (C_{mk}/C_{\Sigma k})(n_k - n_{gk})$.

In order to connect to eq. (1) we rewrite the Hamiltonian of the system in the form

$$\begin{aligned} H_{\text{qubits}} &= \sum_{k=1,2} H_k + E_C q^2 + 2E_C n_g q, \\ H_{\text{coupler}} &= E_C (n - n_g)^2 - E_J \cos \phi, \\ V &= -2E_C n q. \end{aligned} \quad (11)$$

Thus we have $A = n$, $B = q(n_1, n_2)$, $\gamma = n_g$, and $\lambda = -2E_C$, and the small parameter of the perturbation theory is $c_k E_C/(\hbar\omega_{m0})$ with the small constants $c_k \equiv -C_{mk}/C_{\Sigma k}$ entering the operator $q(n_1, n_2)$. Proceeding as outlined above we find the effective qubit Hamiltonian

$$\begin{aligned} H_{\text{eff}} &= \sum_{k=1,2} H_k - 2E_C \langle 0 | n - n_g | 0 \rangle q - \sum_{m=1}^{\infty} \frac{2E_C^2}{\hbar\omega_{m0}^2} |\langle 0 | n | m \rangle|^2 \cdot i[q, \dot{q}] \\ &+ E_C q^2 \left(1 - \sum_{m=1}^{\infty} \frac{4E_C}{\hbar\omega_{m0}} |\langle 0 | n | m \rangle|^2 \right) - \dot{q}^2 \sum_{m=1}^{\infty} \frac{4E_C^2}{\hbar\omega_{m0}^3} |\langle 0 | n | m \rangle|^2, \end{aligned} \quad (12)$$

where $\dot{q} = -\sum_j \frac{E_{Jj}}{\hbar} c_j \sin \phi_j$ and $[q, \dot{q}] = i \sum_j c_j^2 \frac{E_{Jj}}{\hbar} \cos \phi_j$. By separating the single-qubit and coupling terms we arrive at $H_{\text{eff}} = \sum_{k=1,2} H'_k + H_{\text{int}}$. The single-qubit terms $H'_k = H_k + \delta H_k$ acquire a small correction, $\delta H_k = O(c_k)$, while the interaction has two contributions,

$$H_{\text{int}} = \lambda_c(n_g)n_1n_2 + \lambda_i(n_g) \sin \phi_1 \sin \phi_2, \quad (13)$$

with

$$\begin{aligned}\lambda_c(n_g) &= 2E_C \left(1 - \sum_{m=1}^{\infty} \frac{4E_C}{\hbar\omega_{m0}} |\langle 0|n|m\rangle|^2 \right) c_1 c_2, \\ \lambda_i(n_g) &= - \left(\sum_{m=1}^{\infty} \frac{8E_C^2}{\hbar^3\omega_{m0}^3} |\langle 0|n|m\rangle|^2 \right) c_1 c_2 E_{J1} E_{J2}.\end{aligned}\quad (14)$$

The first term (λ_c) corresponds to a tunable capacitive coupling, while the second one (λ_i), which arises due to the nonadiabatic corrections, corresponds to an inductive interaction, coupling the operators of current flowing into/out of the qubit islands. This inductive coupling is weak due to a small factor $E_{J1}E_{J2}/(\hbar\omega_{m0})^2$. Yet, as we show below, it dominates, when the capacitive interaction vanishes or is small.

Coupling junction in the charge regime, $E_C \gg E_J$. – In this limit, working close to the degeneracy point $n_g = 1/2$, we can approximate the coupler by a two-level system with the two charge states $|n=1\rangle, |n=0\rangle$ as basis. The coupler Hamiltonian then reads

$$H_{\text{coupler}} = -\frac{1}{2}E_C(2n_g - 1)\sigma_z - \frac{1}{2}E_J\sigma_x = -\frac{1}{2}\hbar\omega_{10}\rho_z. \quad (15)$$

In the second, diagonal form we used $\hbar\omega_{10} = \sqrt{E_J^2 + E_C^2(2n_g - 1)^2}$, $\sin\eta = E_J/(\hbar\omega_{10})$, and $\sigma_z = \cos\eta\rho_z - \sin\eta\rho_x$. Expressing the non-vanishing matrix element in eq. (14) as $\langle 0|n|1\rangle = -\frac{1}{2}\sin\eta$ we obtain the coupling constants

$$\lambda_c(n_g) = 2E_C \left(1 - \frac{E_C}{E_J} \sin^3\eta \right) c_1 c_2, \quad \lambda_i(n_g) = -\frac{2E_C^2}{E_J^3} \sin^5\eta c_1 c_2 E_{J1} E_{J2}. \quad (16)$$

When the capacitive interaction is switched off, at $\sin^3\eta(n_{g0}) = E_J/E_C$, the inductive coupling persists

$$\lambda_i(n_{g0}) = -2c_1 c_2 (E_C/E_J)^{1/3} (E_{J1} E_{J2}/E_J). \quad (17)$$

Assuming that the ratio E_C/E_J is not extremely large, and using $E_J > E_{Jk}$ (which is required in the charge regime to fulfill the adiabaticity condition), we find $|\lambda_i(n_{g0})| \lesssim c_1 c_2 E_{Jk}$. Further away from the limit $E_C \gg E_J$, *i.e.* for $E_C \gtrsim E_J$, the coupling constants can still be calculated numerically using eq. (14). An example for $E_C/E_J = 2$ is shown in figs. 2a) and b).

Coupling junction in the phase regime, $E_C \ll E_J$. – In this limit the phase of the coupler ϕ remains small, $\langle\phi^2\rangle \ll 2\pi$. Then we can expand $E_J \cos\phi \approx E_J - E_J\phi^2/2$, and the coupler Hamiltonian

$$H_{\text{coupler}} \simeq E_C(n - n_g)^2 + E_J\phi^2/2, \quad (18)$$

reduces to that of a shifted harmonic oscillator. Making use of $n - n_g = i(a^\dagger - a)\sqrt{\hbar\omega_{10}/(4E_C)}$ with $\omega_{10} = \frac{1}{\hbar}\sqrt{2E_J E_C}$, we evaluate λ_c and λ_i from eq. (14). It turns out, that in the considered limit and approximation the capacitive part of the interaction vanishes while the inductive coupling constant, $\lambda_i(n_g) = -c_1 c_2 (E_{J1} E_{J2}/E_J)$, is independent of n_g . A more precise analysis of the Hamiltonian of the coupler yields an exponentially weak n_g -dependent capacitive interaction [11], but the inductive coupling still dominates. In this limit the setup reduces to that considered in ref. [22], with the Josephson junction of the coupler playing the role of the inductance of the LC circuit with $L = \Phi_0^2/(4\pi^2 E_J)$. Results for the regime $E_C \lesssim E_J$ are illustrated in fig. 2 c).

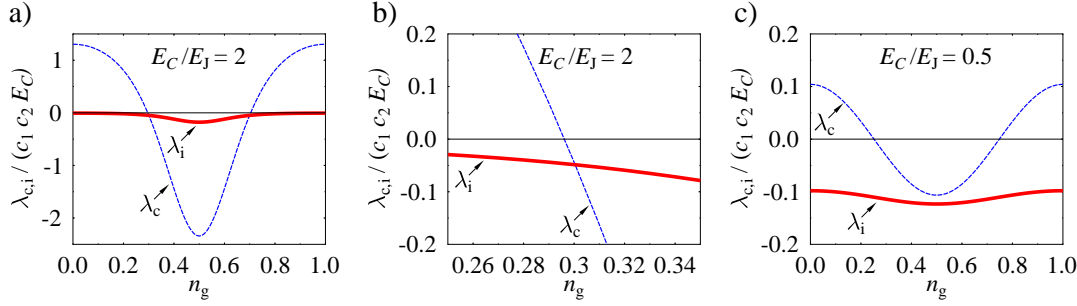


Fig. 2 – Coupling constants $\lambda_c(n_g)$ and $\lambda_i(n_g)$ in units of $c_1 c_2 E_C$ obtained from eq. (14). a) $E_C = 2E_J$, $E_{J1} = E_{J2} = 0.2E_J$. b) A closer look at the vicinity of the “zero” point. c) $E_C = 0.5E_J$, $E_{J1} = E_{J2} = 0.2E_J$. For other values of E_{J1} and E_{J2} the inductive coupling constant can be obtained by simple scaling (see eq. (14)).

Switching off the coupling at the symmetry point. – Eq. (14) or eq. (16) show that the coupling cannot be switched off completely. Yet, in certain situations, at least in the rotating wave approximation (RWA), the most important part of the coupling can be switched off. As an example we consider two qubits ($k = 1, 2$) in the charging regime with $H_k = -\frac{1}{2}B_{zk}\sigma_{zk} - \frac{1}{2}B_{xk}\sigma_{xk}$. Ignoring renormalization effects we have $B_{zk} = E_{Ck}(2n_{gk} - 1)\sigma_{zk}$ and $B_{xk} = E_{Jk}$; renormalization effects introduce a gate charge dependence due to voltage crosstalk, $B_{zk} = B_{zk}(n_{g1}, n_{g2}, n_g)$. The effective interaction Hamiltonian can be written as

$$H_{\text{int}} = \frac{\lambda_c(n_g)}{4}\sigma_{z1}\sigma_{z2} + \frac{\lambda_i(n_g)}{4}\sigma_{y1}\sigma_{y2}. \quad (19)$$

Diagonalization of H_k leads to $H_k = -\frac{1}{2}\Delta E_k \rho_{zk}$ with $\Delta E_k = \sqrt{B_{xk}^2 + B_{zk}^2}$, and $\sigma_{zk} = \cos \eta_k \rho_{zk} - \sin \eta_k \rho_{xk}$ with $\sin \eta_k = B_{xk}/\Delta E_k$. The interaction Hamiltonian then reads

$$H_{\text{int}} = \frac{\lambda_c(n_g)}{4}(\cos \eta_1 \rho_{z1} - \sin \eta_1 \rho_{x1})(\cos \eta_2 \rho_{z2} - \sin \eta_2 \rho_{x2}) + \frac{\lambda_i(n_g)}{4}\rho_{y1}\rho_{y2}. \quad (20)$$

If we assume the qubits to have equal or similar energy splittings, $\Delta E_1 \approx \Delta E_2$, the most important (RWA) part of the interaction is

$$H_{\text{int,RWA}} = \frac{\lambda_c(n_g)}{4}\cos \eta_1 \cos \eta_2 \rho_{z1}\rho_{z2} + \left[\frac{\lambda_c(n_g)}{4}\sin \eta_1 \sin \eta_2 + \frac{\lambda_i(n_g)}{4} \right] [\rho_{+1}\rho_{-2} + \rho_{-1}\rho_{+2}]. \quad (21)$$

This interaction term can be switched off completely only at the symmetry point of at least one of the qubits, *i.e.*, when $\cos \eta_1 = 0$ or $\cos \eta_2 = 0$, by choosing n_g such that the second term vanishes. This means, the capacitive coupling constant has to be tuned to a value opposite in sign but of the same order as the inductive coupling constant (instead of zero, as one might have guessed intuitively). The cancelation is in general not possible for $E_J \gg E_C$, when $\lambda_c(n_g)$ is exponentially small. We further note that at the double symmetry point $\cos \eta_1 = \cos \eta_2 = 0$ the decoupling is stable in linear order with respect to fluctuations of η_k .

Summary and discussion. – We have analyzed the tunable coupling of qubits mediated by a fast coupling element and evaluated the lowest-order nonadiabatic corrections beyond the Born-Oppenheimer approximation. When the adiabatic coupling is tuned to cancel an additional fixed coupling these nonadiabatic contributions become relevant and can even dominate.

As an example we investigated the capacitive tunable coupler proposed by Averin and Bruder, and found that it works only in the regime $E_C > E_J$. While the total coupling can never be switched off completely, this is possible (in RWA) for the most important part of the coupling at the degeneracy point of both qubits. In the opposite limit $E_J \gg E_C$ we recovered results of an earlier coupling scheme [22]. Here the capacitive coupling (nearly) vanishes, while the inductive one dominates. It can not be tuned by the coupler, unless one further modifies the design, *e.g.* in the way as suggested in ref. [7].

One strategy to keep the nonadiabatic terms weak is to design a coupler with small adiabaticity parameter $|H_{\text{qubits}}|/(E_1 - E_0)$, *i.e.* the maximum energy difference between the eigenstates of H_{qubits} should be much smaller than the minimum excitation energy of the coupler. Another strategy is, to develop designs where $[B, H_{\text{qubits}}] = 0$ and the Born-Oppenheimer approximation becomes exact and, hence, no nonadiabatic corrections appear. Such designs have been proposed [8, 13], with tunability achieved via the control of circulating currents in SQUID loops. However, the coupling can be switched off only if the system is fabricated with identical Josephson junctions in the SQUID loops of the qubits, which is difficult to realize experimentally.

* * *

We thank A. Zorin for fruitful discussions. This work is supported by the Landesstiftung Baden-Württemberg gGmbH and further by the EU IST Project EuroSQIP, as well as by the Russian Science Support Foundation (YM). CH was supported by Graduiertenkolleg “Kollektive Phänomene im Festkörper”.

REFERENCES

- [1] Yu. A. Pashkin, et al., *Nature* **421**, 823 (2003).
- [2] A. J. Berkley, et al., *Science* **300**, 1548 (2003).
- [3] T. Yamamoto, et al., *Nature* **425**, 941 (2003).
- [4] A. Izmailkov, et al., *Phys. Rev. Lett.* **93**, 037003 (2004).
- [5] J. B. Majer, et al., *Phys. Rev. Lett.* **94**, 090501 (2005).
- [6] R. McDermott, et al., *Science* **307**, 1299 (2005).
- [7] Yu. Makhlin, G. Schön, and A. Shnirman, *Nature* **398**, 305 (1999).
- [8] J. Q. You, J. S. Tsai, and F. Nori, *Phys. Rev. Lett.* **89**, 197902 (2002).
- [9] F. Plastina and G. Falci, *Phys. Rev. B* **67**, 224514 (2003).
- [10] A. Blais, A. Maassen van den Brink, and A. M. Zagoskin, *Phys. Rev. Lett.* **90**, 127901 (2003).
- [11] D. V. Averin and C. Bruder, *Phys. Rev. Lett.* **91**, 057003 (2003).
- [12] T. V. Filippov, et al., *IEEE Trans. Appl. Supercond.* **13**, 1005 (2003).
- [13] J. Lantz, et al., *Phys. Rev. B* **70**, 140507(R) (2004).
- [14] B. L. T. Plourde, et al., *Phys. Rev. B* **70**, 140501(R) (2004).
- [15] A. Blais, et al., *Phys. Rev. A* **69**, 062320 (2004).
- [16] A. Maassen van den Brink, A. J. Berkley, and M. Yalowsky, *New J. Phys.* **7**, 230 (2005).
- [17] P. Bertet, C. J. P. M. Harmans, and J. E. Mooij, *Phys. Rev. B* **73**, 064512 (2006).
- [18] A. O. Niskanen, Y. Nakamura, and J. S. Tsai, *Phys. Rev. B* **73**, 094506 (2006).
- [19] C. Rigetti, A. Blais, and M. Devoret, *Phys. Rev. Lett.* **94**, 240502 (2005).
- [20] Yu-xi Liu, et al., *Phys. Rev. Lett.* **96**, 067003 (2006).
- [21] A. B. Zorin, *Phys. Rev. Lett.* **96**, 167001 (2006).
- [22] A. Shnirman, G. Schön, and Z. Hermon, *Phys. Rev. Lett.* **79**, 2371 (1997).