

University of Nebraska - Lincoln

DigitalCommons@University of Nebraska - Lincoln

Mechanical & Materials Engineering Faculty
Publications

Mechanical & Materials Engineering,
Department of

2017

ROBOTIC SURGICAL DEVICES, SYSTEMS, AND RELATED METHODS

Shane M. Farritor

University of Nebraska-Lincoln, sfarritor@unl.edu

Erik Mumm

Longmont, CO

Philip Chu

Friendswood, TX

Nishant Kumar

Bergenfield, NJ

Jason Dumpert

Omaha, NE

See next page for additional authors

Follow this and additional works at: <https://digitalcommons.unl.edu/mechengfacpub>



Part of the [Mechanics of Materials Commons](#), [Nanoscience and Nanotechnology Commons](#), [Other Engineering Science and Materials Commons](#), and the [Other Mechanical Engineering Commons](#)

Farritor, Shane M.; Mumm, Erik; Chu, Philip; Kumar, Nishant; Dumpert, Jason; and Tsutano, Yutaka, "ROBOTIC SURGICAL DEVICES, SYSTEMS, AND RELATED METHODS" (2017). *Mechanical & Materials Engineering Faculty Publications*. 333.

<https://digitalcommons.unl.edu/mechengfacpub/333>

This Article is brought to you for free and open access by the Mechanical & Materials Engineering, Department of at DigitalCommons@University of Nebraska - Lincoln. It has been accepted for inclusion in Mechanical & Materials Engineering Faculty Publications by an authorized administrator of DigitalCommons@University of Nebraska - Lincoln.

Authors

Shane M. Farritor, Erik Mumm, Philip Chu, Nishant Kumar, Jason Dumpert, and Yutaka Tsutano



(12) **United States Patent**
Farritor et al.

(10) **Patent No.:** **US 9,770,305 B2**
(45) **Date of Patent:** **Sep. 26, 2017**

(54) **ROBOTIC SURGICAL DEVICES, SYSTEMS, AND RELATED METHODS**

(71) Applicant: **Board of Regents of the University of Nebraska, Lincoln, NE (US)**

(72) Inventors: **Shane Farritor, Lincoln, NE (US); Erik Mumm, Longmont, CO (US); Phillip Chu, Friendswood, TX (US); Nishant Kumar, Bergenfield, NJ (US); Jason Dumpert, Omaha, NE (US); Yutaka Tsutano, Lincoln, NE (US)**

(73) Assignee: **Board of Regents of the University of Nebraska, Lincoln, NE (US)**

(*) Notice: Subject to any disclaimer, the term of this patent is extended or adjusted under 35 U.S.C. 154(b) by 1038 days.

(21) Appl. No.: **13/573,849**

(22) Filed: **Oct. 9, 2012**

(65) **Prior Publication Data**
US 2014/0100587 A1 Apr. 10, 2014

Related U.S. Application Data

(60) Provisional application No. 61/680,809, filed on Aug. 8, 2012.

(51) **Int. Cl.**
A61B 34/30 (2016.01)
A61B 17/00 (2006.01)
(Continued)

(52) **U.S. Cl.**
CPC **A61B 34/30** (2016.02); **A61B 17/00234** (2013.01); **A61B 17/29** (2013.01); **A61B 34/00** (2016.02); **A61B 34/37** (2016.02); **A61B 90/30** (2016.02); **A61B 90/361** (2016.02); **A61B 2017/2906** (2013.01);
(Continued)

(58) **Field of Classification Search**
CPC A61B 17/00234; A61B 17/29; A61B 19/2203; A61B 2019/2208; A61B 2019/2211; A61B 2019/2234; A61B 2019/2223; A61B 34/00; A61B 34/30
See application file for complete search history.

(56) **References Cited**
U.S. PATENT DOCUMENTS

3,870,264 A 3/1975 Robinson
3,989,952 A 11/1976 Hohmann
(Continued)

FOREIGN PATENT DOCUMENTS

CN 1082821918 12/2012
DE 102010040405 3/2012
(Continued)

OTHER PUBLICATIONS

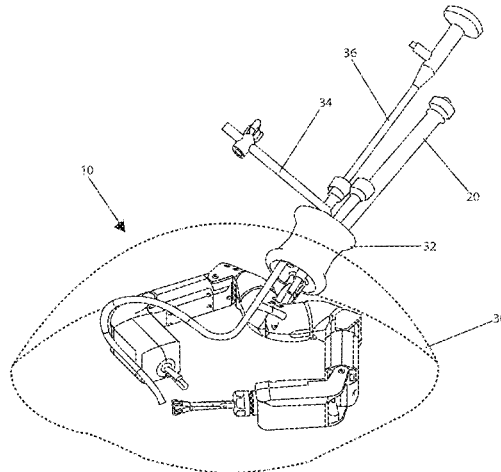
Abbott et al., "Design of an Endoluminal Notes Robotic System," from the Proceedings of the 2007 IEEE/RSJ Int'l Conf. on Intelligent Robot Systems, San Diego, CA, Oct. 29-Nov. 2, 2007, pp. 410-416.

(Continued)

Primary Examiner — Christopher L Templeton
Assistant Examiner — Lucas Paez
(74) *Attorney, Agent, or Firm* — Davis, Brown, Koehm, Shors & Roberts, P.C.; Sean D. Solberg

(57) **ABSTRACT**
The embodiments disclosed herein relate to various medical device components, including components that can be incorporated into robotic and/or in vivo medical devices. Certain embodiments include various modular medical devices for in vivo medical procedures.

19 Claims, 41 Drawing Sheets



| | | | | | |
|------|------------------------------|---------------------------------|--------------|---------|----------------------|
| (51) | Int. Cl. | | 5,797,538 A | 8/1998 | Heaton et al. |
| | <i>A61B 34/00</i> | (2016.01) | 5,797,900 A | 8/1998 | Madhani et al. |
| | <i>A61B 17/29</i> | (2006.01) | 5,807,377 A | 9/1998 | Madhani et al. |
| | <i>A61B 34/37</i> | (2016.01) | 5,808,665 A | 9/1998 | Green |
| | <i>A61B 90/30</i> | (2016.01) | 5,815,640 A | 9/1998 | Wang et al. |
| | <i>A61B 90/00</i> | (2016.01) | 5,825,982 A | 10/1998 | Wright et al. |
| (52) | U.S. Cl. | | 5,841,950 A | 11/1998 | Wang et al. |
| | CPC ... <i>A61B 2034/302</i> | (2016.02); <i>A61B 2217/005</i> | 5,845,646 A | 12/1998 | Lemelson |
| | | (2013.01); <i>A61B 2217/007</i> | 5,855,583 A | 1/1999 | Wang et al. |
| | | | 5,876,325 A | 3/1999 | Mizuno et al. |
| (56) | References Cited | | 5,878,193 A | 3/1999 | Wang et al. |
| | U.S. PATENT DOCUMENTS | | 5,878,783 A | 3/1999 | Smart |
| | | | 5,895,417 A | 4/1999 | Pomeranz et al. |
| | | | 5,906,591 A | 5/1999 | Dario et al. |
| | | | 5,907,664 A | 5/1999 | Wang et al. |
| | | | 5,910,129 A | 6/1999 | Koblish et al. |
| | | | 5,911,036 A | 6/1999 | Wright et al. |
| | | | 5,971,976 A | 10/1999 | Wang et al. |
| | | | 5,993,467 A | 11/1999 | Yoon |
| | | | 6,001,108 A | 12/1999 | Wang et al. |
| | | | 6,007,550 A | 12/1999 | Wang et al. |
| | | | 6,030,365 A | 2/2000 | Laufer |
| | | | 6,031,371 A | 2/2000 | Smart |
| | | | 6,058,323 A | 5/2000 | Lemelson |
| | | | 6,063,095 A | 5/2000 | Wang et al. |
| | | | 6,066,090 A | 5/2000 | Yoon |
| | | | 6,102,850 A | 8/2000 | Wang et al. |
| | | | 6,107,795 A | 8/2000 | Smart |
| | | | 6,132,368 A | 10/2000 | Cooper |
| | | | 6,132,441 A | 10/2000 | Grace |
| | | | 6,139,563 A | 10/2000 | Cosgrove, III et al. |
| | | | 6,156,006 A | 12/2000 | Brosens et al. |
| | | | 6,159,146 A | 12/2000 | El Gazayerli |
| | | | 6,162,171 A | 12/2000 | Ng et al. |
| | | | D438,617 S | 3/2001 | Cooper et al. |
| | | | 6,206,903 B1 | 3/2001 | Ramans |
| | | | D441,076 S | 4/2001 | Cooper et al. |
| | | | 6,223,100 B1 | 4/2001 | Green |
| | | | D441,862 S | 5/2001 | Cooper et al. |
| | | | 6,238,415 B1 | 5/2001 | Sepetka et al. |
| | | | 6,240,312 B1 | 5/2001 | Alfano et al. |
| | | | 6,241,730 B1 | 6/2001 | Alby |
| | | | 6,244,809 B1 | 6/2001 | Wang et al. |
| | | | 6,246,200 B1 | 6/2001 | Blumenkranz et al. |
| | | | D444,555 S | 7/2001 | Cooper et al. |
| | | | 6,286,514 B1 | 9/2001 | Lemelson |
| | | | 6,292,678 B1 | 9/2001 | Hall et al. |
| | | | 6,293,282 B1 | 9/2001 | Lemelson |
| | | | 6,296,635 B1 | 10/2001 | Smith et al. |
| | | | 6,309,397 B1 | 10/2001 | Julian et al. |
| | | | 6,309,403 B1 | 10/2001 | Minoret et al. |
| | | | 6,312,435 B1 | 11/2001 | Wallace et al. |
| | | | 6,321,106 B1 | 11/2001 | Lemelson |
| | | | 6,327,492 B1 | 12/2001 | Lemelson |
| | | | 6,331,181 B1 | 12/2001 | Tiemey et al. |
| | | | 6,346,072 B1 | 2/2002 | Cooper |
| | | | 6,352,503 B1 | 3/2002 | Matsui et al. |
| | | | 6,364,888 B1 | 4/2002 | Niemeyer et al. |
| | | | 6,371,952 B1 | 4/2002 | Madhani et al. |
| | | | 6,394,998 B1 | 5/2002 | Wallace et al. |
| | | | 6,398,726 B1 | 6/2002 | Ramans et al. |
| | | | 6,400,980 B1 | 6/2002 | Lemelson |
| | | | 6,408,224 B1 | 6/2002 | Okamoto et al. |
| | | | 6,424,885 B1 | 7/2002 | Niemeyer et al. |
| | | | 6,432,112 B2 | 8/2002 | Brock et al. |
| | | | 6,436,107 B1 | 8/2002 | Wang et al. |
| | | | 6,441,577 B2 | 8/2002 | Blumenkranz et al. |
| | | | 6,450,104 B1 | 9/2002 | Grant et al. |
| | | | 6,451,027 B1 | 9/2002 | Cooper et al. |
| | | | 6,454,758 B1 | 9/2002 | Thompson et al. |
| | | | 6,459,926 B1 | 10/2002 | Nowlin et al. |
| | | | 6,463,361 B1 | 10/2002 | Wang et al. |
| | | | 6,468,203 B2 | 10/2002 | Belson |
| | | | 6,468,265 B1 | 10/2002 | Evans et al. |
| | | | 6,470,236 B2 | 10/2002 | Ohtsuki |
| | | | 6,491,691 B1 | 12/2002 | Morley et al. |
| | | | 6,491,701 B2 | 12/2002 | Tierney et al. |
| | | | 6,493,608 B1 | 12/2002 | Niemeyer et al. |
| | | | 6,496,099 B2 | 12/2002 | Wang et al. |

(56)

References Cited

U.S. PATENT DOCUMENTS

| | | | | | | | |
|-----------|----|---------|-------------------------|-----------|----|---------|-----------------------|
| 6,508,413 | B2 | 1/2003 | Bauer et al. | 6,871,117 | B2 | 3/2005 | Wang et al. |
| 6,512,345 | B2 | 1/2003 | Borenstein | 6,871,563 | B2 | 3/2005 | Choset et al. |
| 6,522,906 | B1 | 2/2003 | Salisbury, Jr. et al. | 6,879,880 | B2 | 4/2005 | Nowlin et al. |
| 6,544,276 | B1 | 4/2003 | Azizi | 6,892,112 | B2 | 5/2005 | Wang et al. |
| 6,548,982 | B1 | 4/2003 | Papanikolopoulos et al. | 6,899,705 | B2 | 5/2005 | Niemeyer |
| 6,554,790 | B1 | 4/2003 | Moll | 6,902,560 | B1 | 6/2005 | Morley et al. |
| 6,565,554 | B1 | 5/2003 | Niemeyer | 6,905,460 | B2 | 6/2005 | Wang et al. |
| 6,574,355 | B2 | 6/2003 | Green | 6,905,491 | B1 | 6/2005 | Wang et al. |
| 6,587,750 | B2 | 7/2003 | Gerbi et al. | 6,911,916 | B1 | 6/2005 | Wang et al. |
| 6,591,239 | B1 | 7/2003 | McCall et al. | 6,917,176 | B2 | 7/2005 | Schempf et al. |
| 6,594,552 | B1 | 7/2003 | Nowlin et al. | 6,933,695 | B2 | 8/2005 | Blumenkranz |
| 6,610,007 | B2 | 8/2003 | Belson et al. | 6,936,001 | B1 | 8/2005 | Snow |
| 6,620,173 | B2 | 9/2003 | Gerbi et al. | 6,936,003 | B2 | 8/2005 | Iddan |
| 6,642,836 | B1 | 11/2003 | Wang et al. | 6,936,042 | B2 | 8/2005 | Wallace et al. |
| 6,645,196 | B1 | 11/2003 | Nixon et al. | 6,943,663 | B2 | 9/2005 | Wang et al. |
| 6,646,541 | B1 | 11/2003 | Wang et al. | 6,949,096 | B2 | 9/2005 | Davison et al. |
| 6,648,814 | B2 | 11/2003 | Kim et al. | 6,951,535 | B2 | 10/2005 | Ghoduoussi et al. |
| 6,659,939 | B2 | 12/2003 | Moll et al. | 6,965,812 | B2 | 11/2005 | Wang et al. |
| 6,661,571 | B1 | 12/2003 | Shioda et al. | 6,974,411 | B2 | 12/2005 | Belson |
| 6,671,581 | B2 | 12/2003 | Niemeyer et al. | 6,974,449 | B2 | 12/2005 | Niemeyer |
| 6,676,684 | B1 | 1/2004 | Morley et al. | 6,979,423 | B2 | 12/2005 | Moll |
| 6,684,129 | B2 | 1/2004 | Salisbury, Jr. et al. | 6,984,203 | B2 | 1/2006 | Tartaglia et al. |
| 6,685,648 | B2 | 2/2004 | Flaherty et al. | 6,984,205 | B2 | 1/2006 | Gazdzinski |
| 6,685,698 | B2 | 2/2004 | Morley et al. | 6,991,627 | B2 | 1/2006 | Madhani et al. |
| 6,687,571 | B1 | 2/2004 | Byrne et al. | 6,993,413 | B2 | 1/2006 | Sunaoshi |
| 6,692,485 | B1 | 2/2004 | Brock et al. | 6,994,703 | B2 | 2/2006 | Wang et al. |
| 6,699,177 | B1 | 3/2004 | Wang et al. | 6,994,708 | B2 | 2/2006 | Manzo |
| 6,699,235 | B2 | 3/2004 | Wallace et al. | 6,997,908 | B2 | 2/2006 | Carrillo, Jr. et al. |
| 6,702,734 | B2 | 3/2004 | Kim et al. | 7,025,064 | B2 | 4/2006 | Wang et al. |
| 6,702,805 | B1 | 3/2004 | Stuart | 7,027,892 | B2 | 4/2006 | Wang et al. |
| 6,714,839 | B2 | 3/2004 | Salisbury, Jr. et al. | 7,033,344 | B2 | 4/2006 | Imran |
| 6,714,841 | B1 | 3/2004 | Wright et al. | 7,039,453 | B2 | 5/2006 | Mullick et al. |
| 6,719,684 | B2 | 4/2004 | Kim et al. | 7,042,184 | B2 | 5/2006 | Oleynikov et al. |
| 6,720,988 | B1 | 4/2004 | Gere et al. | 7,048,745 | B2 | 5/2006 | Tierney et al. |
| 6,726,699 | B1 | 4/2004 | Wright et al. | 7,053,752 | B2 | 5/2006 | Wang et al. |
| 6,728,599 | B2 | 4/2004 | Wright et al. | 7,063,682 | B1 | 6/2006 | Whayne et al. |
| 6,730,021 | B2 | 5/2004 | Vassiliades, Jr. et al. | 7,066,879 | B2 | 6/2006 | Fowler et al. |
| 6,731,988 | B1 | 5/2004 | Green | 7,066,926 | B2 | 6/2006 | Wallace et al. |
| 6,746,443 | B1 | 6/2004 | Morley et al. | 7,074,179 | B2 | 7/2006 | Wang et al. |
| 6,764,441 | B2 | 7/2004 | Chiel et al. | 7,077,446 | B2 | 7/2006 | Kameda et al. |
| 6,764,445 | B2 | 7/2004 | Ramans et al. | 7,083,571 | B2 | 8/2006 | Wang et al. |
| 6,766,204 | B2 | 7/2004 | Niemeyer et al. | 7,083,615 | B2 | 8/2006 | Peterson et al. |
| 6,770,081 | B1 | 8/2004 | Cooper et al. | 7,087,049 | B2 | 8/2006 | Nowlin et al. |
| 6,774,597 | B1 | 8/2004 | Borenstein | 7,090,683 | B2 | 8/2006 | Brock et al. |
| 6,776,165 | B2 | 8/2004 | Jin | 7,097,640 | B2 | 8/2006 | Wang et al. |
| 6,780,184 | B2 | 8/2004 | Tanrisever | 7,105,000 | B2 | 9/2006 | McBrayer |
| 6,783,524 | B2 | 8/2004 | Anderson et al. | 7,107,090 | B2 | 9/2006 | Salisbury, Jr. et al. |
| 6,785,593 | B2 | 8/2004 | Wang et al. | 7,109,678 | B2 | 9/2006 | Kraus et al. |
| 6,788,018 | B1 | 9/2004 | Blumenkranz | 7,118,582 | B1 | 10/2006 | Wang et al. |
| 6,792,663 | B2 | 9/2004 | Krzyzanowski | 7,121,781 | B2 | 10/2006 | Sanchez |
| 6,793,653 | B2 | 9/2004 | Sanchez et al. | 7,125,403 | B2 | 10/2006 | Julian et al. |
| 6,799,065 | B1 | 9/2004 | Niemeyer | 7,126,303 | B2 | 10/2006 | Farritor et al. |
| 6,799,088 | B2 | 9/2004 | Wang et al. | 7,147,650 | B2 | 12/2006 | Lee |
| 6,801,325 | B2 | 10/2004 | Farr et al. | 7,155,315 | B2 | 12/2006 | Niemeyer et al. |
| 6,804,581 | B2 | 10/2004 | Wang et al. | 7,169,141 | B2 | 1/2007 | Brock et al. |
| 6,810,281 | B2 | 10/2004 | Brock et al. | 7,182,025 | B2 | 2/2007 | Ghorbel et al. |
| 6,817,972 | B2 | 11/2004 | Snow | 7,182,089 | B2 | 2/2007 | Ries |
| 6,817,974 | B2 | 11/2004 | Cooper et al. | 7,199,545 | B2 | 4/2007 | Oleynikov et al. |
| 6,817,975 | B1 | 11/2004 | Farr et al. | 7,206,626 | B2 | 4/2007 | Quaid, III |
| 6,820,653 | B1 | 11/2004 | Schempf et al. | 7,206,627 | B2 | 4/2007 | Abovitz et al. |
| 6,824,508 | B2 | 11/2004 | Kim et al. | 7,210,364 | B2 | 5/2007 | Ghorbel et al. |
| 6,824,510 | B2 | 11/2004 | Kim et al. | 7,214,230 | B2 | 5/2007 | Brock et al. |
| 6,832,988 | B2 | 12/2004 | Sprout | 7,217,240 | B2 | 5/2007 | Snow |
| 6,832,996 | B2 | 12/2004 | Woloszko et al. | 7,239,940 | B2 | 7/2007 | Wang et al. |
| 6,836,703 | B2 | 12/2004 | Wang et al. | 7,250,028 | B2 | 7/2007 | Julian et al. |
| 6,837,846 | B2 | 1/2005 | Jaffe et al. | 7,259,652 | B2 | 8/2007 | Wang et al. |
| 6,837,883 | B2 | 1/2005 | Moll et al. | 7,273,488 | B2 | 9/2007 | Nakamura et al. |
| 6,839,612 | B2 | 1/2005 | Sanchez et al. | 7,311,107 | B2 | 12/2007 | Harel et al. |
| 6,840,938 | B1 | 1/2005 | Morley et al. | 7,339,341 | B2 | 3/2008 | Oleynikov et al. |
| 6,852,107 | B2 | 2/2005 | Wang et al. | 7,372,229 | B2 | 5/2008 | Farritor et al. |
| 6,858,003 | B2 | 2/2005 | Evans et al. | 7,447,537 | B1 | 11/2008 | Funda et al. |
| 6,860,346 | B2 | 3/2005 | Burt et al. | 7,492,116 | B2 | 2/2009 | Oleynikov et al. |
| 6,860,877 | B1 | 3/2005 | Sanchez et al. | 7,566,300 | B2 | 7/2009 | Devierre et al. |
| 6,866,671 | B2 | 3/2005 | Tiemey et al. | 7,574,250 | B2 | 8/2009 | Niemeyer |
| 6,870,343 | B2 | 3/2005 | Borenstein et al. | 7,637,905 | B2 | 12/2009 | Saadat et al. |
| | | | | 7,645,230 | B2 | 1/2010 | Mikkaichi et al. |
| | | | | 7,655,004 | B2 | 2/2010 | Long |
| | | | | 7,670,329 | B2 | 3/2010 | Flaherty et al. |
| | | | | 7,678,043 | B2 | 3/2010 | Gilad |

(56)

References Cited

U.S. PATENT DOCUMENTS

| | | | | | |
|-----------------|---------|--------------------|-----------------|---------|-------------------------|
| 7,731,727 B2 | 6/2010 | Sauer | 2005/0043583 A1 | 2/2005 | Killmann et al. |
| 7,762,825 B2 | 7/2010 | Burbank et al. | 2005/0049462 A1 | 3/2005 | Kanazawa |
| 7,772,796 B2 | 8/2010 | Farritor et al. | 2005/0054901 A1 | 3/2005 | Yoshino |
| 7,785,251 B2 | 8/2010 | Wilk | 2005/0054902 A1 | 3/2005 | Konno |
| 7,785,333 B2 | 8/2010 | Miyamoto et al. | 2005/0064378 A1 | 3/2005 | Toly |
| 7,789,825 B2 | 9/2010 | Nobis et al. | 2005/0065400 A1 | 3/2005 | Banik et al. |
| 7,794,494 B2 | 9/2010 | Sahatjian et al. | 2005/0083460 A1 | 4/2005 | Hattori et al. |
| 7,865,266 B2 | 1/2011 | Moll et al. | 2005/0096502 A1 | 5/2005 | Khalili |
| 7,960,935 B2 | 6/2011 | Farritor et al. | 2005/0143644 A1 | 6/2005 | Gilad et al. |
| 8,021,358 B2 | 9/2011 | Doyle et al. | 2005/0154376 A1 | 7/2005 | Riviere et al. |
| 8,179,073 B2 | 5/2012 | Farritor et al. | 2005/0165449 A1 | 7/2005 | Cadeddu et al. |
| 8,343,171 B2 | 1/2013 | Farritor et al. | 2005/0283137 A1 | 12/2005 | Doyle et al. |
| 8,353,897 B2 | 1/2013 | Doyle et al. | 2005/0288555 A1 | 12/2005 | Binmoeller |
| 8,604,742 B2 | 12/2013 | Farritor et al. | 2005/0288665 A1 | 12/2005 | Woloszko |
| 9,089,353 B2 | 7/2015 | Farritor | 2006/0020272 A1 | 1/2006 | Gildenberg |
| 2001/0018591 A1 | 8/2001 | Brock et al. | 2006/0046226 A1 | 3/2006 | Bergler et al. |
| 2001/0049497 A1 | 12/2001 | Kalloor et al. | 2006/0119304 A1 | 6/2006 | Farritor et al. |
| 2002/0003173 A1 | 1/2002 | Bauer et al. | 2006/0149135 A1 | 7/2006 | Paz |
| 2002/0013601 A1 | 1/2002 | Nobles et al. | 2006/0152591 A1 | 7/2006 | Lin |
| 2002/0026186 A1 | 2/2002 | Woloszka et al. | 2006/0155263 A1 | 7/2006 | Lipow |
| 2002/0038077 A1 | 3/2002 | de la Torre et al. | 2006/0195015 A1 | 8/2006 | Mullick et al. |
| 2002/0065507 A1 | 5/2002 | Azizi | 2006/0196301 A1 | 9/2006 | Oleynikov et al. |
| 2002/0091374 A1 | 7/2002 | Cooper | 2006/0198619 A1 | 9/2006 | Oleynikov et al. |
| 2002/0103417 A1 | 8/2002 | Gazdzinski | 2006/0241570 A1 | 10/2006 | Wilk |
| 2002/0111535 A1 | 8/2002 | Kim et al. | 2006/0241732 A1 | 10/2006 | Denker et al. |
| 2002/0120254 A1 | 8/2002 | Julian et al. | 2006/0253109 A1 | 11/2006 | Chu |
| 2002/0128552 A1 | 9/2002 | Nowlin et al. | 2006/0258954 A1 | 11/2006 | Timberlake |
| 2002/0140392 A1 | 10/2002 | Borenstein et al. | 2007/0032701 A1 | 2/2007 | Fowler et al. |
| 2002/0147487 A1 | 10/2002 | Sundquist et al. | 2007/0043397 A1 | 2/2007 | Ocel et al. |
| 2002/0151906 A1 | 10/2002 | Demarais et al. | 2007/0055342 A1 | 3/2007 | Wu et al. |
| 2002/0156347 A1 | 10/2002 | Kim et al. | 2007/0080658 A1 | 4/2007 | Farritor et al. |
| 2002/0171385 A1 | 11/2002 | Kim et al. | 2007/0106113 A1 | 5/2007 | Ravo |
| 2002/0173700 A1 | 11/2002 | Kim et al. | 2007/0123748 A1 | 5/2007 | Meglan |
| 2002/0190682 A1 | 12/2002 | Schempf et al. | 2007/0142725 A1 | 6/2007 | Hardin et al. |
| 2003/0020810 A1 | 1/2003 | Takizawa et al. | 2007/0156019 A1 | 7/2007 | Larkin et al. |
| 2003/0045888 A1 | 3/2003 | Brock et al. | 2007/0156211 A1 | 7/2007 | Ferren et al. |
| 2003/0065250 A1 | 4/2003 | Chiel et al. | 2007/0167955 A1 | 7/2007 | De La Menardiere et al. |
| 2003/0089267 A1 | 5/2003 | Ghorbel et al. | 2007/0225633 A1 | 9/2007 | Ferren et al. |
| 2003/0092964 A1 | 5/2003 | Kim et al. | 2007/0225634 A1 | 9/2007 | Ferren et al. |
| 2003/0097129 A1 | 5/2003 | Davison et al. | 2007/0241714 A1 | 10/2007 | Okeynikov et al. |
| 2003/0100817 A1 | 5/2003 | Wang et al. | 2007/0244520 A1 | 10/2007 | Ferren et al. |
| 2003/0114731 A1 | 6/2003 | Cadeddu et al. | 2007/0250064 A1 | 10/2007 | Darois et al. |
| 2003/0135203 A1 | 7/2003 | Wang et al. | 2007/0255273 A1 | 11/2007 | Fernandez et al. |
| 2003/0139742 A1 | 7/2003 | Wampler et al. | 2008/0004634 A1 | 1/2008 | Farritor et al. |
| 2003/0144656 A1 | 7/2003 | Ocel et al. | 2008/0015565 A1 | 1/2008 | Davison |
| 2003/0167000 A1 | 9/2003 | Mullick | 2008/0015566 A1 | 1/2008 | Livneh |
| 2003/0172871 A1 | 9/2003 | Scherer | 2008/0033569 A1 | 2/2008 | Ferren et al. |
| 2003/0179308 A1 | 9/2003 | Zamorano et al. | 2008/0045803 A1 | 2/2008 | Williams |
| 2003/0181788 A1 | 9/2003 | Yokoi et al. | 2008/0058835 A1 | 3/2008 | Farritor et al. |
| 2003/0229268 A1 | 12/2003 | Uchiyama et al. | 2008/0058989 A1 | 3/2008 | Oleynikov et al. |
| 2003/0230372 A1 | 12/2003 | Schmidt | 2008/0103440 A1 | 5/2008 | Ferren et al. |
| 2004/0024311 A1 | 2/2004 | Quaid | 2008/0109014 A1 | 5/2008 | Pena |
| 2004/0034282 A1 | 2/2004 | Quaid | 2008/0111513 A1 | 5/2008 | Farritor et al. |
| 2004/0034283 A1 | 2/2004 | Quaid | 2008/0119870 A1 | 5/2008 | Williams et al. |
| 2004/0034302 A1 | 2/2004 | Abovitz et al. | 2008/0132890 A1 | 6/2008 | Woloszko et al. |
| 2004/0050394 A1 | 3/2004 | Jin | 2008/0161804 A1 | 7/2008 | Rioux et al. |
| 2004/0070822 A1 | 4/2004 | Shioda et al. | 2008/0164079 A1 | 7/2008 | Jacobsen |
| 2004/0099175 A1 | 5/2004 | Perrot et al. | 2008/0183033 A1 | 7/2008 | Bern et al. |
| 2004/0102772 A1 | 5/2004 | Baxter et al. | 2008/0221591 A1 | 9/2008 | Farritor et al. |
| 2004/0106916 A1 | 6/2004 | Quaid et al. | 2008/0269557 A1 | 10/2008 | Marescaux et al. |
| 2004/0111113 A1 | 6/2004 | Nakamura et al. | 2009/0020724 A1 | 1/2009 | Paffrath |
| 2004/0117032 A1 | 6/2004 | Roth | 2009/0024142 A1 | 1/2009 | Ruiz Morales |
| 2004/0138525 A1 | 7/2004 | Saadat | 2009/0048612 A1 | 2/2009 | Farritor et al. |
| 2004/0138552 A1 | 7/2004 | Harel et al. | 2009/0054909 A1 | 2/2009 | Farritor et al. |
| 2004/0140786 A1 | 7/2004 | Borenstein | 2009/0069821 A1 | 3/2009 | Farritor et al. |
| 2004/0153057 A1 | 8/2004 | Davison | 2009/0076536 A1 | 3/2009 | Rentschler et al. |
| 2004/0173116 A1 | 9/2004 | Ghorbel et al. | 2009/0137952 A1 | 5/2009 | Ramamurthy et al. |
| 2004/0176664 A1 | 9/2004 | Iddan | 2009/0143787 A9 | 6/2009 | De La Pena |
| 2004/0215331 A1 | 10/2004 | Chew et al. | 2009/0163929 A1 | 6/2009 | Yeung et al. |
| 2004/0225229 A1 | 11/2004 | Viola | 2009/0171373 A1 | 7/2009 | Farritor et al. |
| 2004/0254680 A1 | 12/2004 | Sunaoshi | 2009/0234369 A1 | 9/2009 | Bax et al. |
| 2004/0267326 A1 | 12/2004 | Ocel et al. | 2009/0236400 A1 | 9/2009 | Cole et al. |
| 2005/0014994 A1 | 1/2005 | Fowler et al. | 2009/0240246 A1 | 9/2009 | Devill et al. |
| 2005/0021069 A1 | 1/2005 | Feuer et al. | 2009/0247821 A1 | 10/2009 | Rogers |
| 2005/0029978 A1 | 2/2005 | Oleynikov et al. | 2009/0248038 A1 | 10/2009 | Blumenkranz et al. |
| | | | 2009/0281377 A1 | 11/2009 | Newell et al. |
| | | | 2009/0305210 A1 | 12/2009 | Guru et al. |
| | | | 2010/0010294 A1 | 1/2010 | Conlon et al. |

(56)

References Cited

U.S. PATENT DOCUMENTS

2010/0016659 A1 1/2010 Weitzner et al.
 2010/0016853 A1 1/2010 Burbank
 2010/0042097 A1 2/2010 Newton et al.
 2010/0056863 A1 3/2010 Dejima et al.
 2010/0069710 A1 3/2010 Yamatani et al.
 2010/0069940 A1 3/2010 Miller et al.
 2010/0081875 A1 4/2010 Fowler et al.
 2010/0139436 A1 6/2010 Kawashima et al.
 2010/0198231 A1 8/2010 Scott
 2010/0204713 A1 8/2010 Ruiz
 2010/0245549 A1 9/2010 Allen et al.
 2010/0262162 A1 10/2010 Omori
 2010/0292691 A1 11/2010 Brogna
 2010/0318059 A1 12/2010 Farritor et al.
 2011/0015569 A1 1/2011 Kirschenman et al.
 2011/0020779 A1 1/2011 Hannaford et al.
 2011/0071347 A1 3/2011 Rogers et al.
 2011/0071544 A1 3/2011 Steger et al.
 2011/0077478 A1 3/2011 Freeman et al.
 2011/0082365 A1 4/2011 McGrogan et al.
 2011/0098529 A1 4/2011 Ostrovsky et al.
 2011/0152615 A1 6/2011 Schostek et al.
 2011/0224605 A1 9/2011 Farritor et al.
 2011/0230894 A1 9/2011 Simaan et al.
 2011/0237890 A1 9/2011 Farritor et al.
 2011/0238080 A1 9/2011 Ranjit et al.
 2011/0264078 A1 10/2011 Lipow
 2011/0270443 A1 11/2011 Kamiya et al.
 2012/0035582 A1 2/2012 Nelson et al.
 2012/0109150 A1 5/2012 Quaid et al.
 2012/0116362 A1 5/2012 Kieturakis
 2012/0179168 A1 7/2012 Farritor
 2012/0253515 A1 10/2012 Coste-Maniere et al.
 2013/0041360 A1 2/2013 Farritor
 2013/0131695 A1 5/2013 Scarfogliero et al.
 2014/0046340 A1 2/2014 Wilson et al.
 2014/0058205 A1 2/2014 Frederick et al.
 2014/0039515 A1 6/2014 Mondry et al.
 2014/0303434 A1 10/2014 Farritor et al.
 2015/0051446 A1 2/2015 Farritor et al.

FOREIGN PATENT DOCUMENTS

EP 1354670 10/2003
 EP 2286756 2/2011
 EP 2286756 A1 2/2011
 EP 2329787 8/2011
 EP 2563261 3/2013
 JP 2004144533 5/1990
 JP 5115425 5/1993
 JP 200716235 6/1993
 JP 2006507809 9/1994
 JP 07 136173 5/1995
 JP 7306155 11/1995
 JP 08-224248 9/1996
 JP 2001505810 5/2001
 JP 2003220065 8/2003
 JP 2004322310 6/2004
 JP 2004180781 7/2004
 JP 2004329292 11/2004
 JP 2006508049 3/2006
 JP 2009-106606 5/2009
 JP 2010-533045 10/2010
 JP 2010-536436 12/2010
 JP 2011-504794 2/2011
 JP 2011-045500 3/2011
 JP 2011-115591 6/2011
 WO WO 92/21291 12/1992
 WO WO 0189405 11/2001
 WO WO 02/082979 10/2002
 WO WO 02/100256 12/2002
 WO WO 2005/009211 2/2005
 WO WO 2005009211 2/2005
 WO WO 2005044095 5/2005
 WO WO 2006 005075 1/2006

WO WO 2006/079108 1/2006
 WO WO 2006/052927 5/2006
 WO WO2006079108 7/2006
 WO WO 2007011654 1/2007
 WO WO 2007/111571 10/2007
 WO WO 2007/149559 12/2007
 WO WO 2009023851 A1 2/2009
 WO WO 2009/144729 12/2009
 WO WO2010/042611 4/2010
 WO WO2010/046823 4/2010
 WO WO2010050771 A2 5/2010
 WO WO 2011075693 6/2011
 WO WO 2011/118646 A1 9/2011
 WO WO 2011/135503 A1 11/2011
 WO WO 2011135503 11/2011
 WO WO 2013009887 1/2013
 WO WO 2014011238 1/2014

OTHER PUBLICATIONS

Allendorf et al., "Postoperative Immune Function Varies Inversely with the Degree of Surgical Trauma in a Murine Model," *Surgical Endoscopy* 1997; 11:427-430.
 Ang, "Active Tremor Compensation in Handheld Instrument for Microsurgery," Doctoral Dissertation, tech report CMU-RI-TR-04-28, Robotics Institute, Carnegie Mellon University, May 2004, 167pp.
 Applicant Amendment after Notice of Allowance under Rule 312, filed Aug. 25, 2008, in related case U.S. Appl. No. 11/695,944, 6pp.
 Applicant Response to Office Action dated Apr. 17, 2007, in related case U.S. Appl. No. 11/552,379, filed Aug. 8, 2007, 7 pp.
 Applicant Response to Office Action dated Aug. 18, 2006, in related case U.S. Appl. No. 11/398,174, filed Nov. 7, 2006, 8pp.
 Applicant Response to Office Action dated Aug. 21, 2006, in related case U.S. Appl. No. 11/403,756, filed Nov. 21, 2006, 52pp.
 Applicant Response to Office Action dated Oct. 29, 2007, in related case U.S. Appl. No. 11/695,944, filed Jan. 22, 2008, 6pp.
 Atmel 8005X2 Core, <http://www.atmel.com>, 2006, 186pp.
 Bailey et al., "Complications of Laparoscopic Surgery," Quality Medical Publishers, Inc., 1995, 25pp.
 Ballantyne, "Robotic Surgery, Telerobotic Surgery, Telepresence, and Telementoring," *Surgical Endoscopy*, 2002; 16: 1389-1402.
 Bauer et al., "Case Report: Remote Percutaneous Renal Percutaneous Renal Access Using a New Automated Telesurgical Robotic System," *Telemedicine Journal and e-Health* 2001; (4): 341-347.
 Begos et al., "Laparoscopic Cholecystectomy: From Gimmick to Gold Standard," *J Clin Gastroenterol*, 1994; 19(4): 325-330.
 Berg et al., "Surgery with Cooperative Robots," *Medicine Meets Virtual Reality*, Feb. 2007, 1 pg.
 Breda et al., "Future developments and perspectives in laparoscopy," *Eur. Urology* 2001; 40(1): 84-91.
 Breedveld et al., "Design of Steerable Endoscopes to Improve the Visual Perception of Depth During Laparoscopic Surgery," *ASME*, Jan. 2004; vol. 126, pp. 1-5.
 Breedveld et al., "Locomotion through the Intestine by means of Rolling Stents," *Proceedings of the ASME Design Engineering Technical Conferences*, 2004, pp. 1-7.
 Calafiore et al., "Multiple Arterial Conduits Without Cardiopulmonary Bypass: Early Angiographic Results," *Ann Thorac Surg*, 1999; 67: 450-456.
 Camarillo et al., "Robotic Technology in Surgery: Past, Present and Future," *The American Journal of Surgery*, 2004; 188: 2S-15.
 Cavusoglu et al., "Telesurgery and Surgical Simulation: Haptic Interfaces to Real and Virtual Surgical Environments," In McLaughlin, M.L., Hespanha, J.P., and Sukhatme, G., editors. *Touch in virtual environments*, IMSC Series in Multimedia 2001, 28pp.
 Cavusoglu et al., "Robotics for Telesurgery: Second Generation Berkeley/UCSF Laparoscopic Telesurgical Workstation and Looking Towards the Future Applications," *Industrial Robot: An International Journal*, 2003; 30(1): 22-29.

(56)

References Cited

OTHER PUBLICATIONS

- Chanthasopeephan et al., (2003), "Measuring Forces in Liver Cutting: New Equipment and Experimental Results," *Annals of Biomedical Engineering* 31: 1372-1382.
- Choi et al., "Flexure-based Manipulator for Active Handheld Micro-surgical Instrument," *Proceedings of the 27th Annual International Conference of the IEEE Engineering in Medicine and Biology Society (EMBS)*, Sep. 2005, 4pp.
- Cuschieri, "Technology for Minimal Access Surgery," *BMJ*, 1999, 319: 1-6.
- Dakin et al., "Comparison of laparoscopic skills performance between standard instruments and two surgical robotic systems," *Surg Endosc.*, 2003; 17: 574-579.
- Dumpert et al., "Improving in Vivo Robot Vision Quality," from the *Proceedings of Medicine Meets Virtual Reality*, Long Beach, CA, Jan. 26-29, 2005. 1 pg.
- Dumpert et al., "Stereoscopic In Vivo Surgical Robots," *IEEE Sensors Special Issue on In Vivo Sensors for Medicine*, Jan. 2007, 10 pp.
- Examiner Interview Summary dated Aug. 6 and Aug. 12, 2008, in related case U.S. Appl. No. 11/695,944, 1 pg.
- Examiner Interview Summary dated May 9, 2008, in related case U.S. Appl. No. 11/695,944, 1 pg.
- Examiner Interview Summary dated Nov. 30, 2006, in related case U.S. Appl. No. 11/398,174, 2pp.
- Falcone et al., "Robotic Surgery," *Clin. Obstet. Gynecol.* 2003, 46(1): 37-43.
- Faraz et al., "Engineering Approaches to Mechanical and Robotic Design for Minimally Invasive Surgery (MIS)," *Kluwer Academic Publishers (Boston)*, 2000, 13pp.
- Fearing et al., "Wing Transmission for a Micromechanical Flying Insect," *Proceedings of the 2000 IEEE International Conference to Robotics & Automation*, Apr. 2000; 1509-1516.
- Fireman et al., "Diagnosing small bowel Crohn's disease with wireless capsule endoscopy," *Gut* 2003; 52: 390-392.
- Flynn et al., "Tomorrow's Surgery: micromotors and microbots for minimally invasive procedures," *Minimally Invasive Surgery & Allied Technologies*.
- Franklin et al., "Prospective Comparison of Open vs. Laparoscopic Colon Surgery for Carcinoma: Five-Year Results," *Dis Colon Rectum*, 1996; 39: S35-S46.
- Franzino, "The Laprotek Surgical System and the Next Generation of Robotics," *Surg Clin North Am*, 2003 83(6): 1317-1320.
- Fraulob et al., "Miniature assistance module for robot-assisted heart surgery," *Biomed. Tech.* 2002, 47 Suppl. 1, Pt. 1: 12-15.
- Fukuda et al., "Mechanism and Swimming Experiment of Micro Mobile Robot in Water," *Proceedings of the 1994 IEEE International Conference on Robotics and Automation*, 1994: 814-819.
- Fukuda et al., "Micro Active Catheter System with Multi Degrees of Freedom," *Proceedings of the IEEE International Conference on Robotics and Automation*, May 1994, pp. 2290-2295.
- Fuller et al., "Laparoscopic Trocar Injuries: A Report from a U.S. Food and Drug Administration (FDA) Center for Devices and Radiological Health (CDRH) Systematic Technology Assessment of Medical Products (STAMP) Committee," U.S. Food and Drug Administration, available at <http://www.fda.gov/ov>, Finalized: Nov. 7, 2003; Updated: Jun. 24, 2005, 11 pp.
- Grady, "Doctors Try New Surgery for Gallbladder Removal," *The New York Times*, Apr. 20, 2007, 3 pp.
- Guber et al., "Miniaturized Instrument Systems for Minimally Invasive Diagnosis and Therapy," *Biomedizinische Technik*. 2002, Band 47, Ergänzungsband 1: 198-201.
- International Preliminary Report on Patentability from related case PCT/US2007/014567, mailed Jan. 8, 2009, 11 pp.
- International Search report and Written Opinion from international application No. PCT/US2012/41911, mailed Mar. 13, 2013.
- International Search Report and Written Opinion from international application No. PCT/US12/46274, mailed Sep. 25, 2012.
- International Search Report and Written Opinion from international application No. PCT/US2007/089191, mailed Nov. 10, 2008, 20 pp.
- "International Search Report and Written Opinion from international application No. PCT/US07/14567, mailed Apr. 28, 2008, 19 pp."
- International Search Report and Written Opinion of international application No. PCT/US2008/069822, mailed Aug. 5, 2009, 12 pp.
- International Search Report and Written Opinion of international application No. PCT/US2008/073334, mailed Jan. 12, 2009, 11 pp.
- International Search Report and Written Opinion of international application No. PCT/US2008/073369, mailed Nov. 12, 2008, 12 pp.
- International Search Report and Written Opinion issued in PCT/US11/46809, mailed Dec. 8, 2011.
- Ishiyama et al., "Spiral-type Micro-machine for Medical Applications," 2000 International Symposium on Micromechatronics and Human Science, 2000: 65-69.
- Jagannath et al., "Peroral transgastric endoscopic ligation of falloplian tubes with long-term survival in a porcine model," *Gastrointestinal Endoscopy*, 2005; 61(3): 449-453.
- Kaloo et al., "Flexible transgastric peritoneoscopy: a novel approach to diagnostic and therapeutic interventions in the peritoneal cavity," *Gastrointestinal Endoscopy*, 2004; 60(1): 114-117.
- Kang et al., "Robotic Assistants Aid Surgeons During Minimally Invasive Procedures," *IEEE Engineering in Medicine and Biology*, Jan.-Feb. 2001; pp. 94-104.
- Kantsevov et al., "Endoscopic gastrojejunostomy with survival in a porcine model," *Gastrointestinal Endoscopy*, 2005; 62(2): 287-292.
- Kantsevov et al., "Transgastric endoscopic splenectomy," *Surgical Endoscopy*, 2006; 20: 522-525.
- Kazemier et al. (1998), "Vascular Injuries During Laparoscopy," *J. Am. Coli. Surg.* 186(5): 604-5.
- Kim, "Early Experience with Telemanipulative Robot-Assisted Laparoscopic Cholecystectomy Using da Vinci," *Surgical Laparoscopy, Endoscopy & Percutaneous Techniques*, 2002; 12(1):33-40.
- Ko et al., "Per-Oral transgastric abdominal surgery," *Chinese Journal of Digestive Diseases*, 2006; 7: 67-70.
- Lafullarde et al., "Laparoscopic Nissen Fundoplication: Five-year Results and Beyond," *Arch/Surg*, Feb. 2001; 136:180-184.
- Leggett et al. (2002), "Aortic injury during laparoscopic fundoplication," *Surg. Endoscopy* 16(2): 362.
- Li et al. (2000), "Microvascular Anastomoses Performed in Rats Using a Microsurgical Telemanipulator," *Comp. Aid. Surg.* 5: 326-332.
- Liem et al., "Comparison of Conventional Anterior Surgery and Laparoscopic Surgery for Inguinal-hernia Repair," *New England Journal of Medicine*, 1997; 336 (22): 1541-1547.
- MacFarlane et al., "Force-Feedback Grasper Helps Restore the Sense of Touch in Minimally Invasive Surgery," *Journal of Gastrointestinal Surgery*, 1999; 3: 278-285.
- Mack et al., "Present Role of Thoracoscopy in the Diagnosis and Treatment of Diseases of the Chest," *Ann Thorac Surg*, 1992; 54: 403-409.
- Mack, "Minimally Invasive and Robotic Surgery," *JAMA*, Feb. 2001; 285(5): 568-572.
- Mei et al., "Wireless Drive and Control of a Swimming Microrobot," *Proceedings of the 2002 IEEE International Conference on Robotics & Automation*, May 2002: 1131-1136.
- Melvin et al., "Computer-Enhanced vs. Standard Laparoscopic Antireflux Surgery," *J Gastrointest Surg* 2002; 6: 11-16.
- Menciassi et al., "Locomotion of a Leffed Capsule in the Gastrointestinal Tract: Theoretical Study and Preliminary Technological Results," *IEEE Int. Conf. on Engineering in Medicine and Biology*, San Francisco, CA, pp. 2767-2770, Sep. 2004.
- Menciassi et al., "Robotic Solutions and Mechanisms for a Semi-Autonomous Endoscope," *Proceedings of the 2002 IEEE/RSJ Intl. Conference on Intelligent Robots and Systems*, Oct. 2002; 1379-1384.
- Menciassi et al., "Shape memory alloy clamping devices of a capsule for monitoring tasks in the gastrointestinal tract," *J. Micromech. Microeng.* 2005, 15: 2045-2055.
- Meron, "The development of the swallowable video capsule (M2A)," *Gastrointestinal Endoscopy* 2000; 52 6: 817-819.
- Micron, <http://www.micron.com>, 2006, 1/4-inch VGA NTSC/PAL CMOS Digital Image Sensor, 98 pp.

(56)

References Cited

OTHER PUBLICATIONS

- Middy Jeff et al., "Material Handling System for Robotic natural Orifice Surgery", Proceedings of the 2011 Design of medical Devices Conference, Apr. 12-14, 2011, Minneapolis, MN, 4 pages.
- Miller, Ph.D., et al., "In-Vivo Stereoscopic Imaging System with 5 Degrees-of-Freedom for Minimal Access Surgery," Dept. of Computer Science and Dept. of Surgery, Columbia University, New York, NY, 7 pp.
- Munro (2002), "Laparoscopic access: complications, technologies, and techniques," *Curro Opin. Obstet. Gynecol.*, 14(4): 365-74.
- Nio et al., "Efficiency of manual vs robotical (Zeus) assisted laparoscopic surgery in the performance of standardized tasks," *Surg Endosc*, 2002; 16: 412-415.
- Office Action dated Apr. 17, 2007, received in related case U.S. Appl. No. 11/552,379, 5 pp.
- Office Action dated Apr. 3, 2009, received in related case U.S. Appl. No. 11/932,516, 43 pp.
- Office Action dated Aug. 18, 2006, received in related case U.S. Appl. No. 11/398,174, 6 pp.
- Office Action dated Aug. 21, 2006, received in related case U.S. Appl. No. 11/403,756, 6 pp.
- Office Action dated Oct. 29, 2007, received in related case U.S. Appl. No. 11/695,944, 6 pp.
- Office Action dated Oct. 9, 2008, received in related case U.S. Appl. No. 11/932,441, 4 pp.
- Oleynikov et al., "In Vivo Camera Robots Provide Improved Vision for Laparoscopic Surgery," *Computer Assisted Radiology and Surgery (CARS)*, Chicago, IL, Jun. 23-26, 2004b.
- Oleynikov et al., "In Vivo Robotic Laparoscopy," *Surgical Innovation*, Jun. 2005, 12(2): 177-181.
- Oleynikov et al., "Miniature Robots Can Assist in Laparoscopic Cholecystectomy," *Journal of Surgical Endoscopy*, 19-4: 473-476, 2005.
- O'Neill, "Surgeon takes new route to gallbladder," *The Oregonian*, Jun. 2007, 2 pp.
- Orlando et al., (2003), "Needle and Trocar Injuries in Diagnostic Laparoscopy under Local Anesthesia: What Is the True Incidence of These Complications?" *Journal of Laparoendoscopic & Advanced Surgical Techniques* 13(3): 181-184.
- Park et al., "Trocar-less Instrumentation for Laparoscopy: Magnetic Positioning of Intra-abdominal Camera and Retractor," *Ann Surg*, Mar. 2007; 245(3): 379-384.
- Park et al., "Experimental studies of transgastric gallbladder surgery: cholecystectomy and cholecystogastric anastomosis (videos)," *Gastrointestinal Endoscopy*, 2005; 61(4): 601-606.
- Patronik et al., "Development of a Tethered Epicardial Crawler for Minimally Invasive Cardiac Therapies," *IEEE*, pp. 239-240.
- Patronik et al., "Crawling on the Heart: A Mobile Robotic Device for Minimally Invasive Cardiac Interventions," *MICCAI*, 2004, pp. 9-16.
- Patronik et al., "Preliminary evaluation of a mobile robotic device for navigation and intervention on the beating heart," *Computer Aided Surgery*, 10(4): 225-232, Jul. 2005.
- Peirs et al., "A miniature manipulator for integration in a self-propelling endoscope," *Sensors and Actuators A*, 2001, 92: 343-349.
- Peters, "Minimally Invasive Colectomy: Are the Potential Benefits Realized?" *Dis Colon Rectum* 1993; 36: 751-756.
- Phee et al., "Analysis and Development of Locomotion Devices for the Gastrointestinal Tract," *IEEE Transaction on Biomedical Engineering*, vol. 49, No. 6, Jun. 2002, pp. 613-616.
- Phee et al., "Development of Microrobotic Devices for Locomotion in the Human Gastrointestinal Tract," *International Conference on Computational Intelligence, Robotics and Autonomous Systems (CIRAS 2001)*, Nov. 28-30, 2001, Singapore.
- Platt et al., "In Vivo Robotic Cameras can Enhance Imaging Capability During Laparoscopic Surgery," in the Proceedings of the Society of American Gastrointestinal Endoscopic Surgeons (SAGES) Scientific Conference, Ft. Lauderdale, FL, Apr. 13-16, 2005, 1 pg.
- Preliminary Amendment filed Apr. 11, 2007, in related case U.S. Appl. No. 11/403,756, 7 pp.
- Preliminary Amendment filed Jul. 30, 2008, in related case U.S. Appl. No. 12/171,413, 4 pp.
- RCE and Amendment filed Jun. 13, 2007, in related case U.S. Appl. No. 11/403,756, 8 pp.
- Rentschler et al., "Mobile In Vivo Biopsy and Camera Robot," *Studies in Health and Infonnatics Medicine Meets Virtual Reality*, vol. 119., pp. 449-454, IOS Press, Long Beach, CA, 2006e.
- Rentschler et al., *Mobile In Vivo Biopsy Robot*, IEEE International Conference on Robotics and Automation, Orlando, Florida, May 2006, pp. 4155-4160.
- Rentschler et al., "Miniature in vivo Robots for Remote and Harsh Environments," *IEEE Transactions on Information Technology in Biomedicine*, Jan. 2006; 12(1): 66-75.
- Rentschler et al., "An In Vivo Mobile Robot for Surgical Vision and Task Assistance," *Journal of Medical Devices*, Mar. 2007, vol. 1: 23-29.
- Rentschler et al., "In vivo Mobile Surgical Robotic Task Assistance," 1 pg.
- Rentschler et al., "In vivo Robotics during the NEEMO 9 Mission," *Medicine Meets Virtual Reality*, Feb. 2007, 1 pg.
- Rentschler et al., "In Vivo Robots for Laparoscopic Surgery," *Studies in Health Technology and Infonnatics Medicine Meets Virtual Reality*, ISO Press, Newport Beach, CA, 2004a, 98: 316-322.
- Rentschler et al., "Mechanical Design of Robotic In Vivo Wheeled Mobility," *ASME Journal of Mechanical Design*, 2006a, pp. I-II.
- Rentschler et al., "Mobile In Vivo Camera Robots Provide Sole Visual Feedback for Abdominal Exploration and Cholecystectomy," *Journal of Surgical Endoscopy*, 20-I: 135-138, 2006b.
- Rentschler et al., "Mobile In Vivo Robots Can Assist in Abdominal Exploration," from the Proceedings of the Society of American Gastrointestinal Endoscopic Surgeons (SAGES) Scientific Conference, Ft. Lauderdale, FL, Apr. 13-16, 2005b.
- Rentschler et al., "Modeling, Analysis, and Experimental Study of In Vivo Wheeled Robotic Mobility," *IEEE Transactions on Robotics*, 22 (2): 308-321, 2005c.
- Rentschler et al., "Natural Orifice Surgery with an Endoluminal Mobile Robot," *The Society of American Gastrointestinal Endoscopic Surgeons*, Dallas, TX, Apr. 2006d, 14 pp.
- Rentschler et al., "Theoretical and Experimental Analysis of In Vivo Wheeled Mobility," *ASME Design Engineering Technical Conferences: 28th Biennial Mechanisms and Robotics Conference*, Salt Lake City, Utah, Sep. 28-Oct. 2, 2004, pp. 1-9.
- Rentschler et al., "Toward In Vivo Mobility," *Studies in Health Technology and Informatics—Medicine Meets Virtual Reality*, ISO Press, Long Beach, CA, 2005a, III: 397-403.
- Response to Rule 312 Amendment in related case U.S. Appl. No. 11/695,944, dated Jan. 12, 2009, 2 pp.
- Riviere et al., "Toward Active Tremor Canceling in Handheld Microsurgical Instruments," *IEEE Transactions on Robotics and Automation*, Oct. 2003, 19(5): 793-800.
- Rosen et al., "Force Controlled and Teleoperated Endoscopic, Grasper for Minimally Invasive Surgery—Experimental Performance Evaluation," *IEEE Transactions of Biomedical Engineering*, Oct. 1999; 46(10): 1212-1221.
- Rosen et al., "Objective Laparoscopic Skills Assessments of Surgical Residents Using Hidden Markov Models Based on Haptic Information and Tool/Tissue Interactions," *Studies in Health Technology and Infonnatics-Medicine Meets Virtual Reality*, Jan. 2001, 7 pp.
- Rosen et al., "Spherical Mechanism Analysis of a Surgical Robot for Minimally Invasive Surgery—Analytical and Experimental Approaches," *Studies in Health Technology and Informatics—Medicine Meets Virtual Reality*, pp. 442-448, Jan. 2005.
- Rosen et al., "Task Decomposition of Laparoscopic Surgery for Objective Evaluation of Surgical Residents' Learning Curve Using Hidden Markov Model," *Computer Aided Surgery*, vol. 7, pp. 49-61, 2002.
- Rosen et al., "The Blue Dragon—A System of Measuring the Kinematics and the Dynamics of Minimally Invasive Surgical Tools

(56)

References Cited

OTHER PUBLICATIONS

- In-Vivo," Proc. of the 2002 IEEE International Conference on Robotics and Automation, Washington, DC, pp. 1876-1881, May 2002.
- Ruurda et al., "Robot-Assisted surgical systems: a new era in laparoscopic surgery," *Ann R. Coll Surg Engl.*, 2002; 84: 223-226.
- Ruurda et al., "Feasibility of Robot-Assisted Laparoscopic Surgery," *Surgical Laparoscopy, Endoscopy & Percutaneous Techniques*, 2002; 12(1):41-45.
- Sackier et al., "Robotically assisted laparoscopic surgery," *Surgical Endoscopy*, 1994; 8: 63-66.
- Salky, "What is the Penetration of Endoscopic Techniques into Surgical Practice?" *Digestive Surgery*, 2000; 17:422-426.
- Satava, "Surgical Robotics: The Early Chronicles," *Surgical Laparoscopy, Endoscopy & Percutaneous Techniques*, 2002; 12(1): 6-16.
- Schippers et al., (1996) "Requirements and Possibilities of Computer-Assisted Endoscopic Surgery," In: *Computer Integrated Surgery: Technology and Clinical Applications*, pp. 561-565.
- Schurr et al., "Robotics and Telem Manipulation Technologies for Endoscopic Surgery," *Surgical Endoscopy*, 2000; 14: 375-381.
- Schwartz, "In the Lab: Robots that Slink and Squirm," *The New York Times*, Mar. 27, 2007, 4 pp.
- Sharp LL-151-3D, <http://www.sharp3d.com>, 2006, 2 pp.
- Slatkin et al., "The Development of a Robotic Endoscope," *Proceedings of the 1995 IEEE International Conference on Robotics and Automation*, pp. 162-71, 1995.
- Smart Pill "Fastastic Voyage: Smart Pill to Expand Testing," <http://www.smartpilldiagnostics.com>, Apr. 13, 2005, 1 pg.
- Southern Surgeons Club (1991), "A prospective analysis of 1518 laparoscopic cholecystectomies," *N. Eng. J. Med.* 324 (16): 1073-1078.
- Stefanini et al., "Modeling and Experiments on a Legged Microrobot Locomoting in a Tubular Compliant and Slippery Environment," *Int. Journal of Robotics Research*, vol. 25, No. 5-6, pp. 551-560, May-Jun. 2006.
- Stiff et al., "Long-term Pain: Less Common After Laparoscopic than Open Cholecystectomy," *British Journal of Surgery*, 1994; 81: 1368-1370.
- Strong, et al., "Efficacy of Novel Robotic Camera vs. A Standard Laproscopic Camera," *Surgical Innovation* vol. 12, No. 4, Dec. 2005, Westminster Publications, Inc., pp. 315-318.
- Suzumori et al., "Development of Flexible Microactuator and its Applications to Robotics Mechanisms," *Proceedings of the IEEE International Conference on Robotics and Automation*, 1991: 1622-1627.
- Taylor et al., "A Telerobotic Assistant for Laparoscopic Surgery," *IEEE Eng Med Biol*, 1995; 279-287.
- Tendick et al. (1993), "Sensing and Manipulation Problems in Endoscopic Surgery: Experiment, Analysis, and Observation," *Presence* 2(1): 66-81.
- Tendick et al., "Applications of Micromechatronics in Minimally Invasive Surgery," *IEEE/ASME Transactions on Mechatronics*, 1998; 3(1): 34-42.
- Thomann et al., "The Design of a new type of Micro Robot for the Intestinal Inspection," *Proceedings of the 2002 IEEE Intl. Conference on Intelligent Robots and Systems*, Oct. 2002: 1385-1390.
- U.S. Appl. No. 60/180,960, filed Feb. 2000.
- U.S. Appl. No. 60/956,032, filed Aug. 15, 2007.
- U.S. Appl. No. 60/983,445, filed Oct. 29, 2007.
- U.S. Appl. No. 60/990,062, filed Nov. 26, 2007.
- U.S. Appl. No. 60/990,076, filed Nov. 26, 2007.
- U.S. Appl. No. 60/990,086, filed Nov. 26, 2007.
- U.S. Appl. No. 60/990,106, filed Nov. 26, 2007.
- U.S. Appl. No. 60/990,470, filed Nov. 27, 2007.
- U.S. Appl. No. 61/025,346, filed Feb. 1, 2008.
- U.S. Appl. No. 61/030,588, filed Feb. 22, 2008.
- U.S. Appl. No. 61/030,617, filed Feb. 22, 2008.
- Way et al, (editors), "Fundamentals of Laparoscopic Surgery," Churchill Livingstone Inc., 1995, 14 pp.
- Wolfe et al., "Endoscopic Cholecystectomy: An analysis of Complications," *Arch. Surg.* Oct. 1991; 126: 1192-1196.
- Worn et al., "Espirito Project No. 33915: Miniaturised Robot for Micro Manipulation (MINIMAN)", Nov. 1998; <http://www.ipr.ira.ujka.de/-microbot/miniman>.
- Yu et al., "Microrobotic Cell Injection," *Proceedings of the 2001 IEEE International Conference on Robotics and Automation*, May 2001; 620-625.
- Yu, BSN, RN, "M2ATM Capsule Endoscopy A Breakthrough Diagnostic Tool for Small Intestine Imaging," vol. 25, No. 1, *Gastroenterology Nursing*, pp. 24-27.
- International Search Report and Written Opinion of international application No. PCT/US2010/061137, mailed Feb. 11, 2011, 10 pp.
- Abbou et al., "Laparoscopic Radical Prostatectomy with a Remote Controlled Robot," *The Journal of Urology*, Jun. 2001, 165: 1964-1966.
- Glukhovskiy et al., "The development and application of wireless capsule endoscopy," *Int. J. Med. Robot. Comput. Assist. Surgery*, 2004; 1(1): 114-123.
- Gong et al., *Wireless endoscopy, Gastrointestinal Endoscopy* 2000; 51(6): 725-729.
- Hanly et al., "Value of the SAGES Learning Center in introducing new technology," *Surgical Endoscopy*, 2004; 19(4): 477-483.
- Hanly et al., "Robotic Abdominal Surgery," *The American Journal of Surgery* 188 (Suppl. to Oct. 1994): 19S-26S, 2004.
- Palm, William, "Rapid Prototyping Primer." May 1998 (revised Jul. 30, 2002) (<http://www.me.psu.edu/lamancusa/rapidpro/primerlchapter2.htm>).
- Stoianovici et al., "Robotic Tools for Minimally Invasive Urologic Surgery", Jan. 1, 2002, pp. 1-17.
- Cleary et al., "State of the Art in Surgical Robotics: Clinical Applications and Technology Challenges", "Computer Aided Surgery", Jan. 1, 2002, pp. 312-328, vol. 6.
- Green, "Telepresence Surgery", Jan. 1, 1995, Publisher: IEEE Engineering in Medicine and Biology.

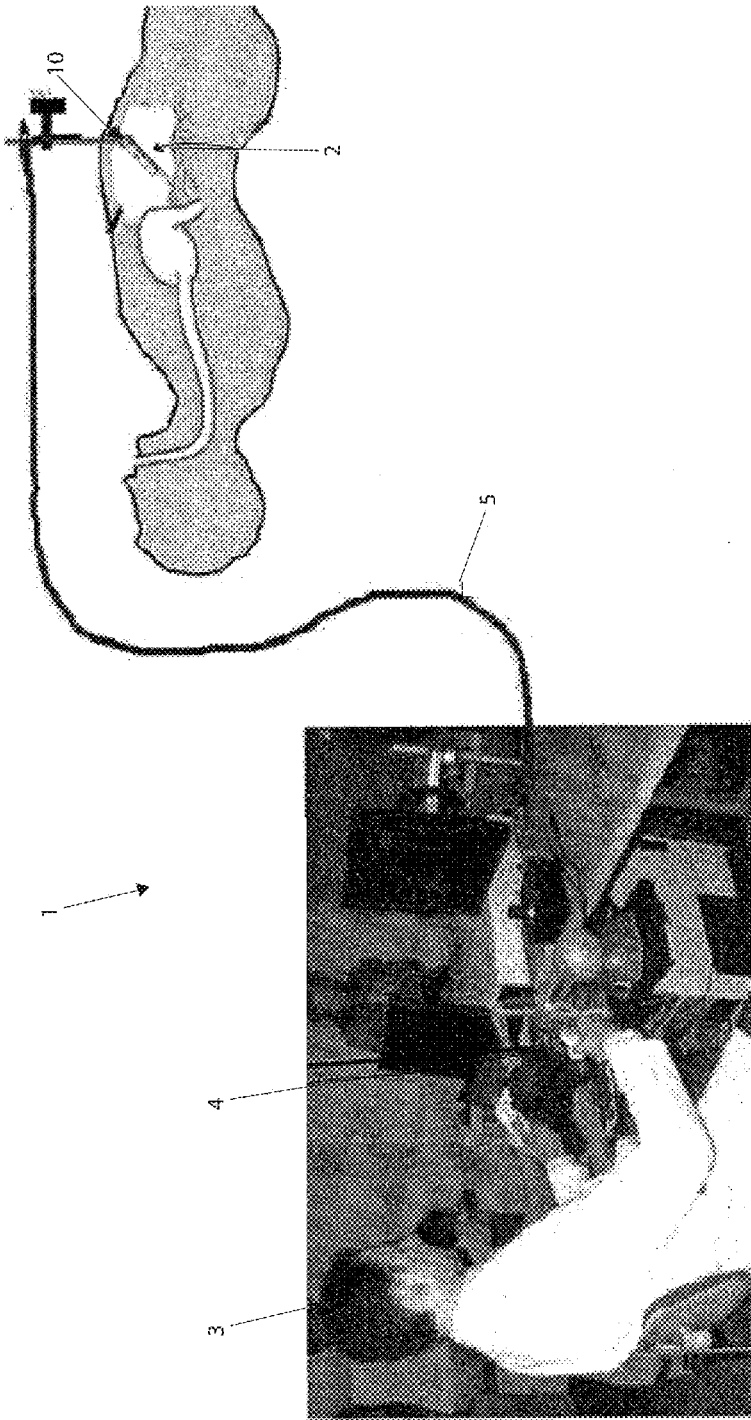


Figure 1A

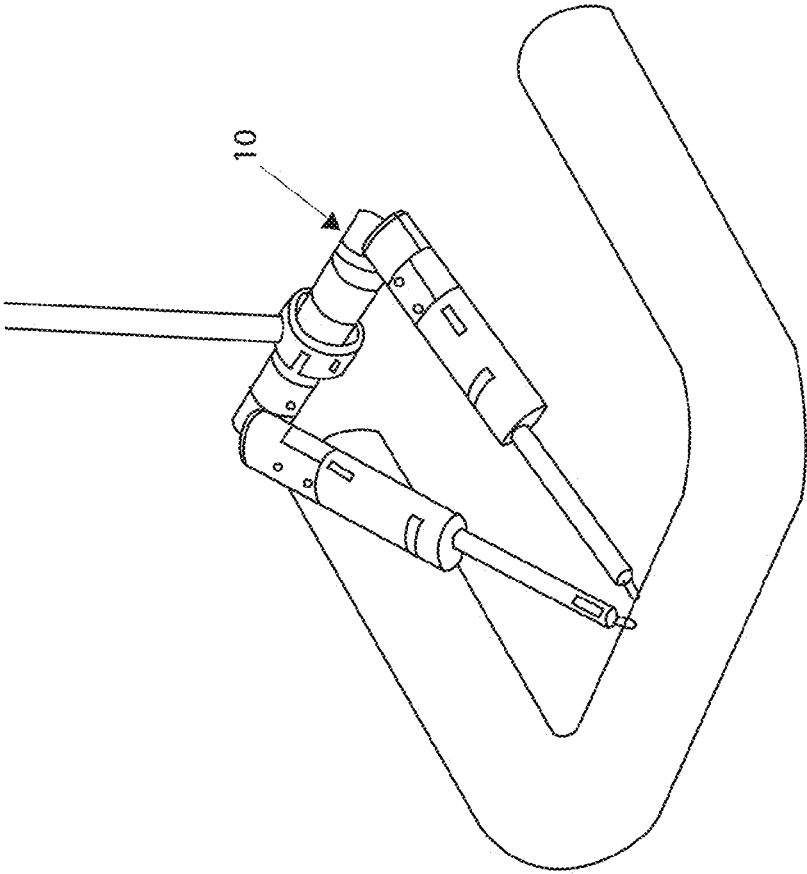


Figure 1B

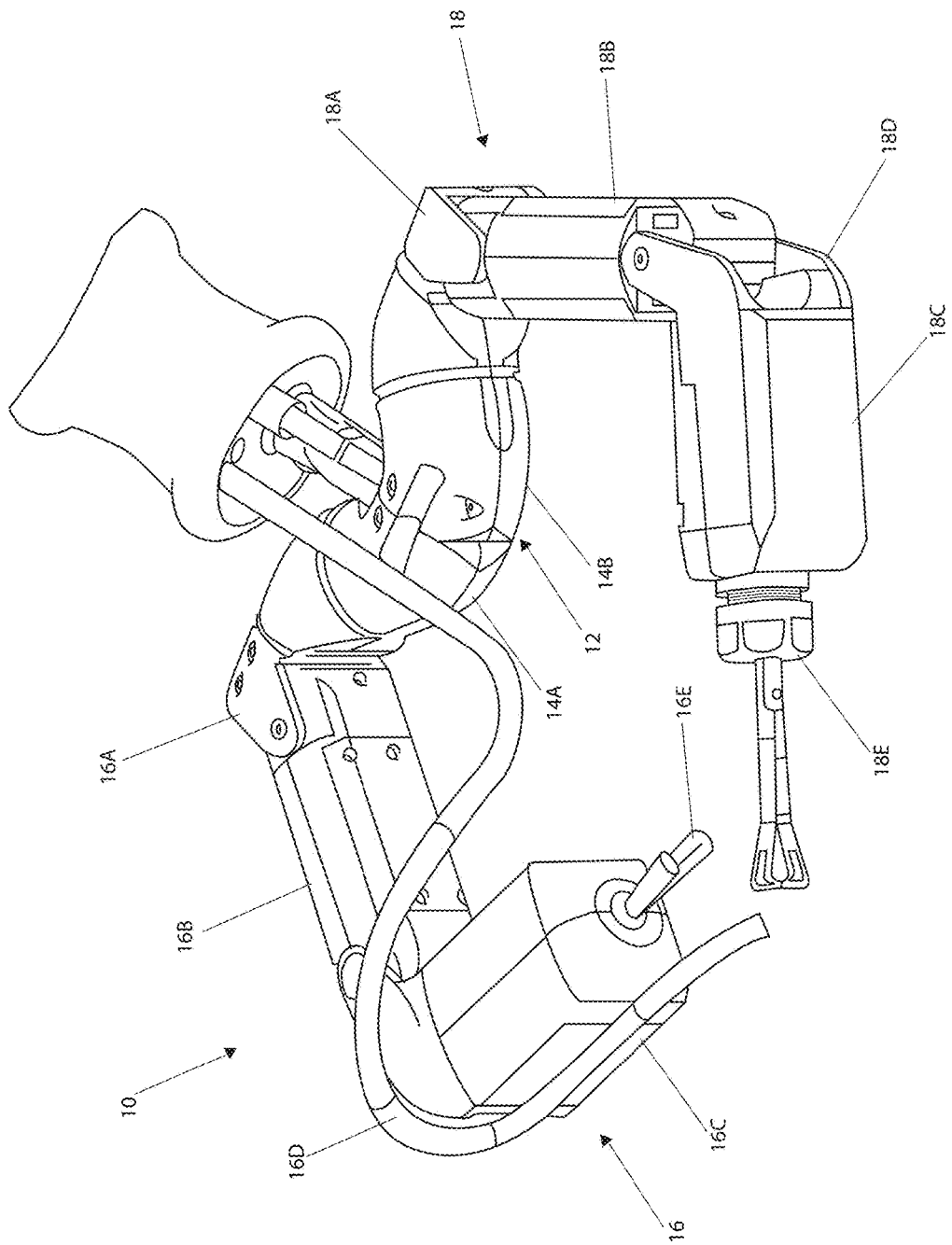


Figure 2A

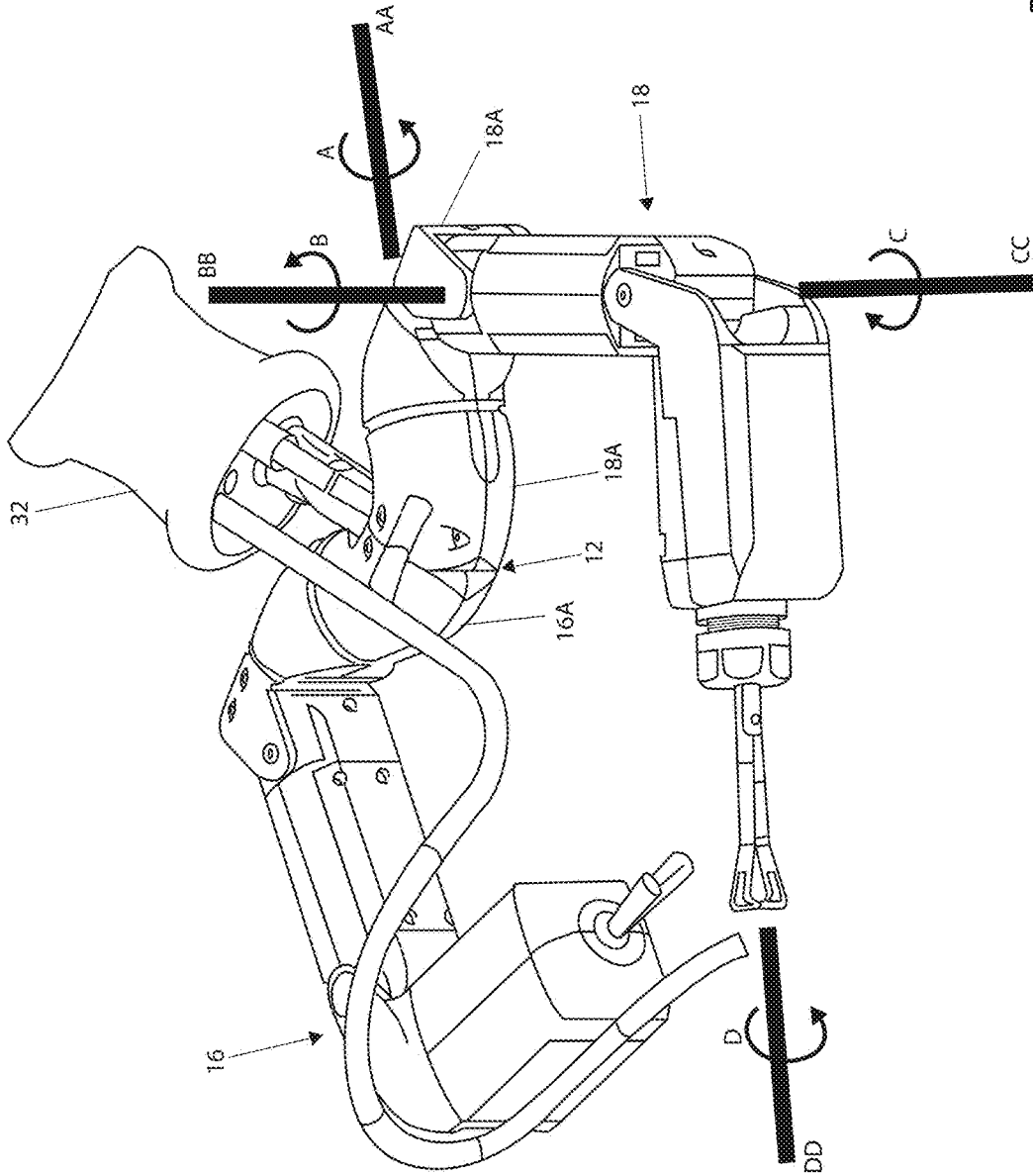


Figure 2B

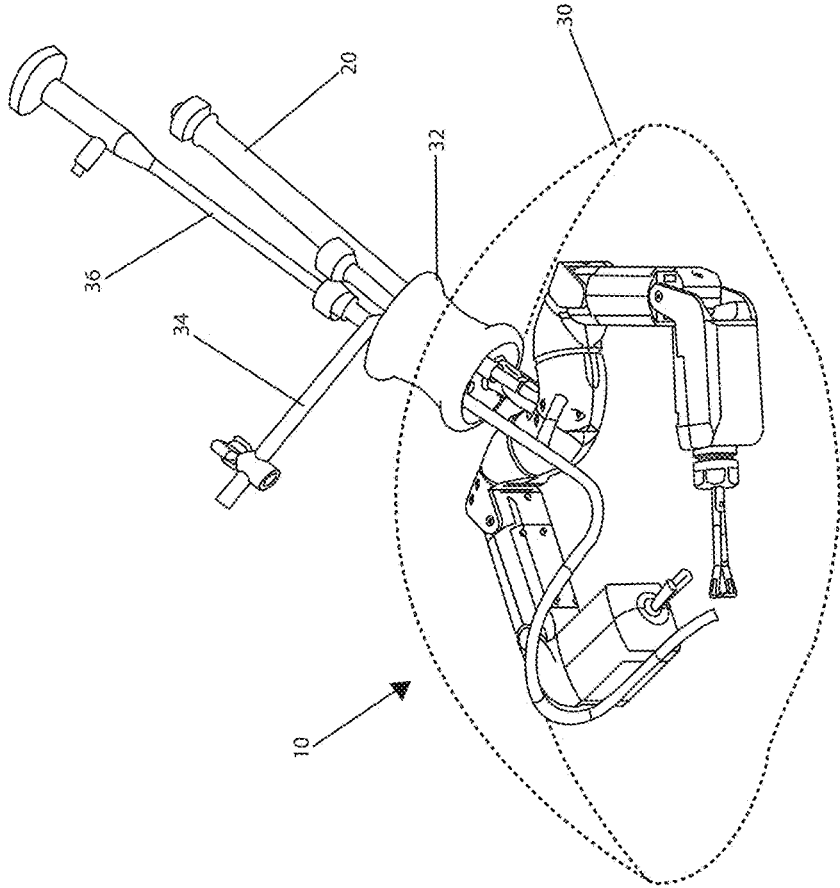


Figure 3

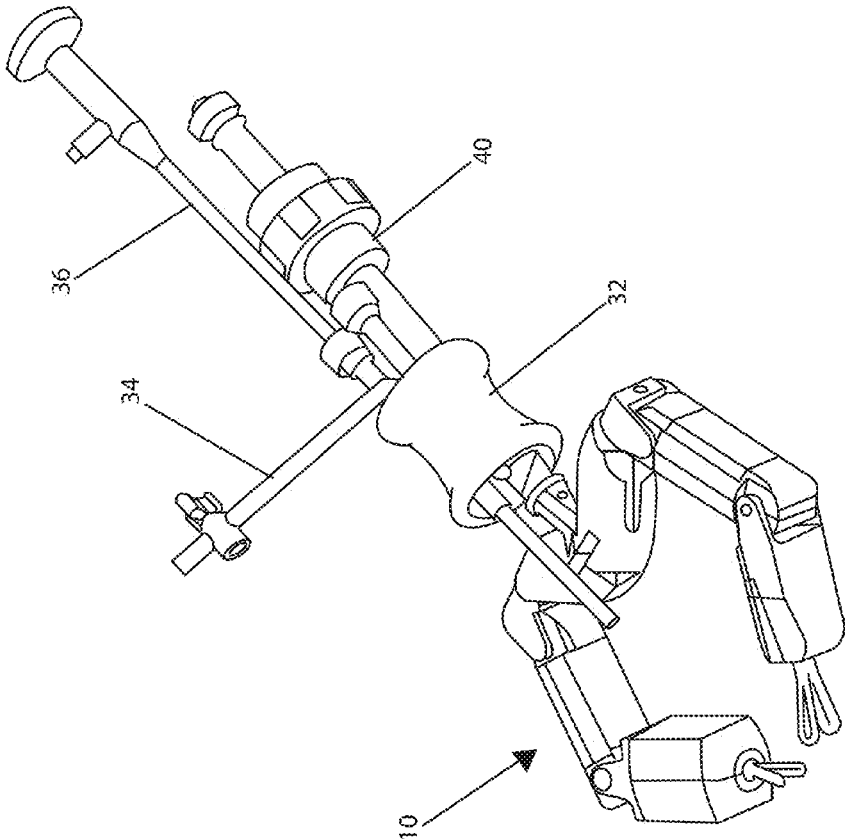


Figure 4

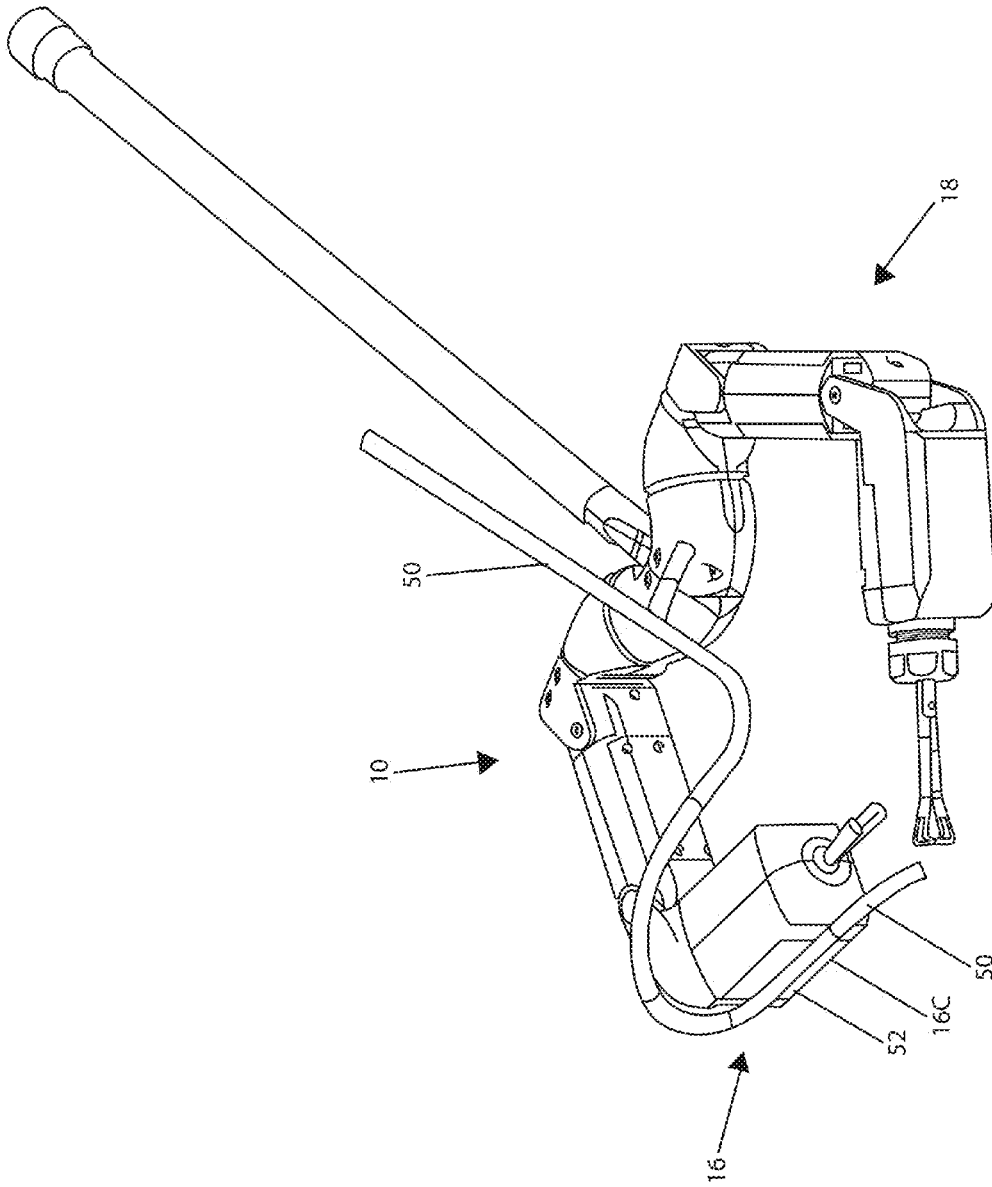


Figure 5

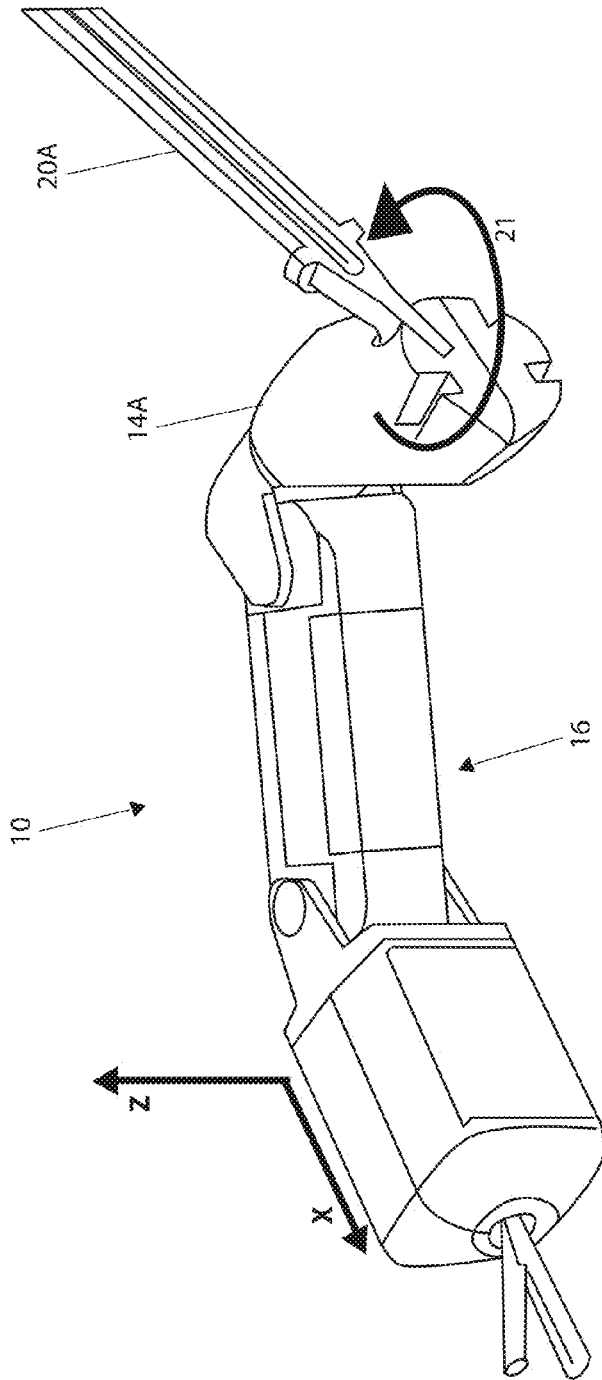


Figure 6A

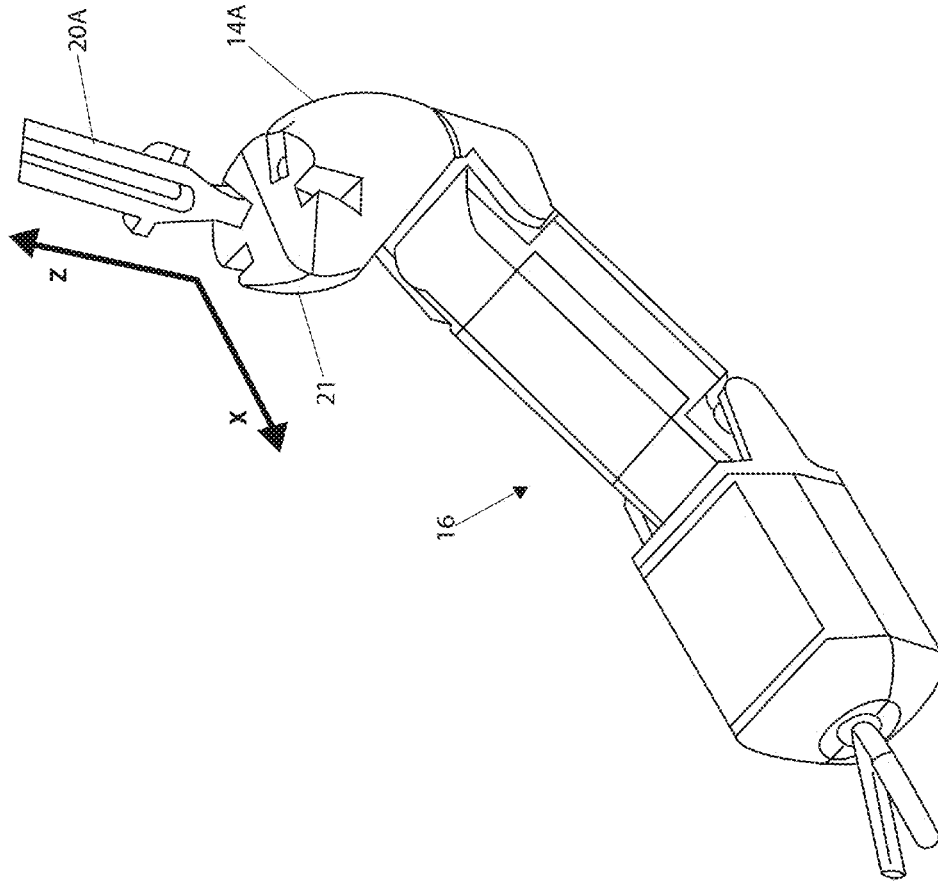


Figure 6B

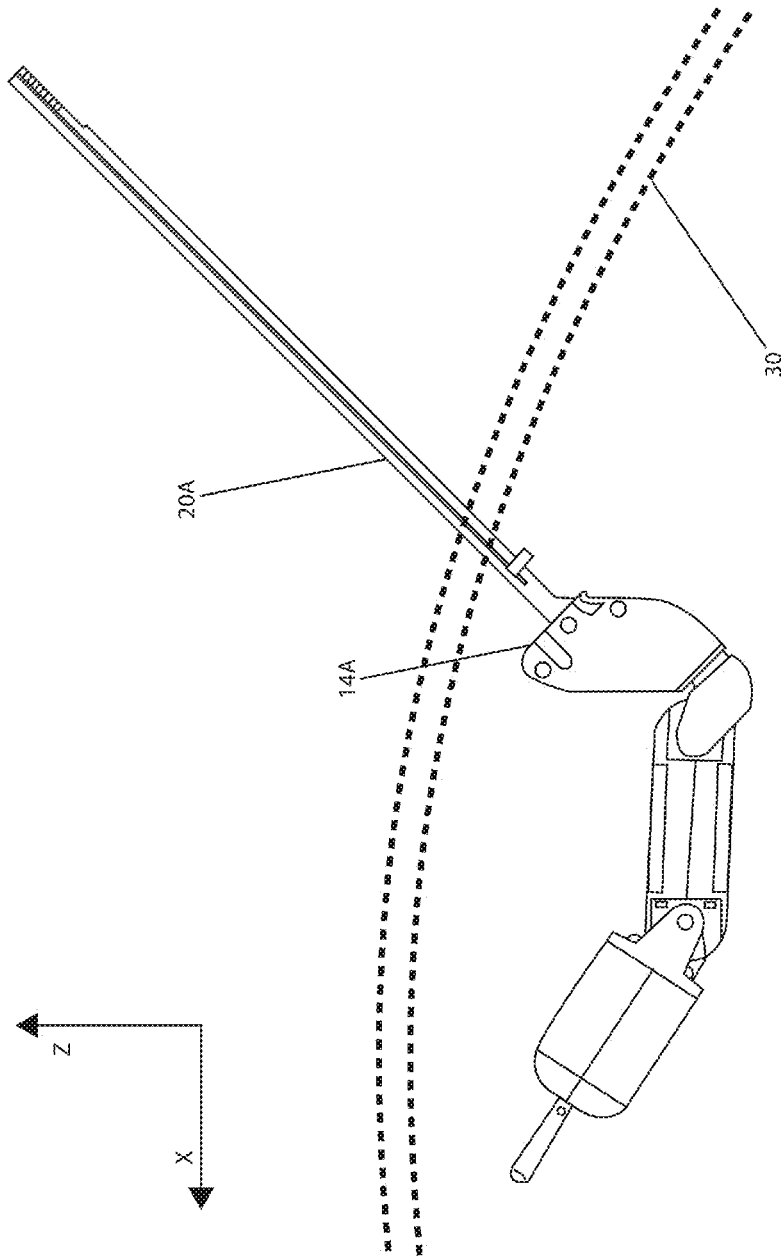


Figure 7

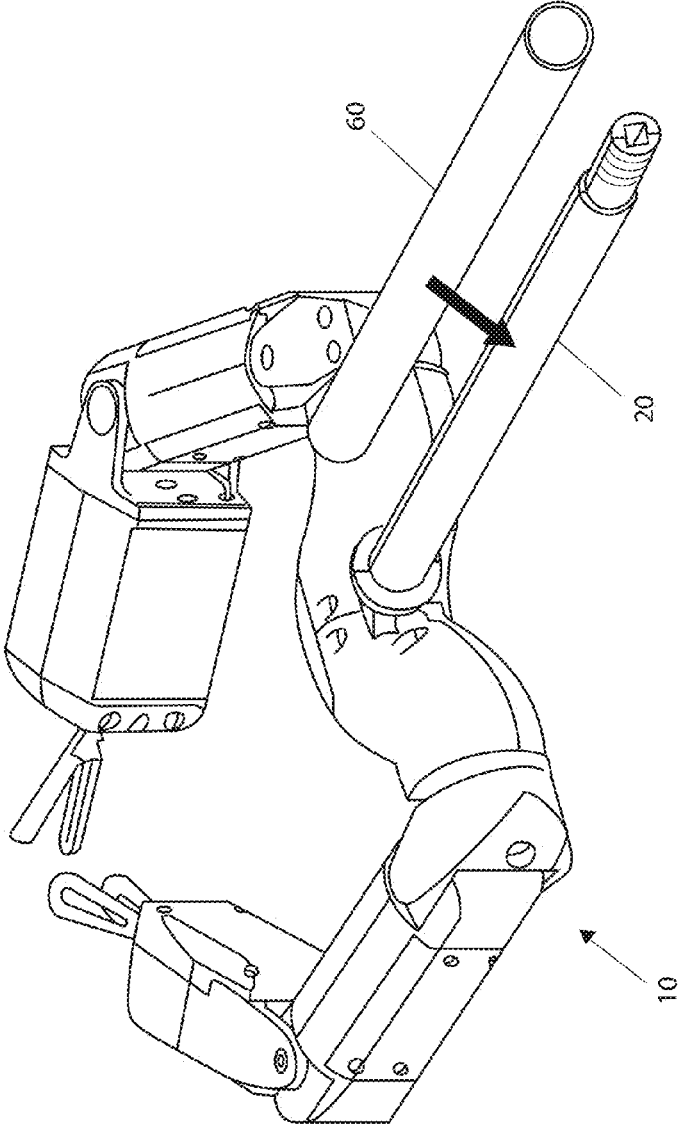


Figure 8

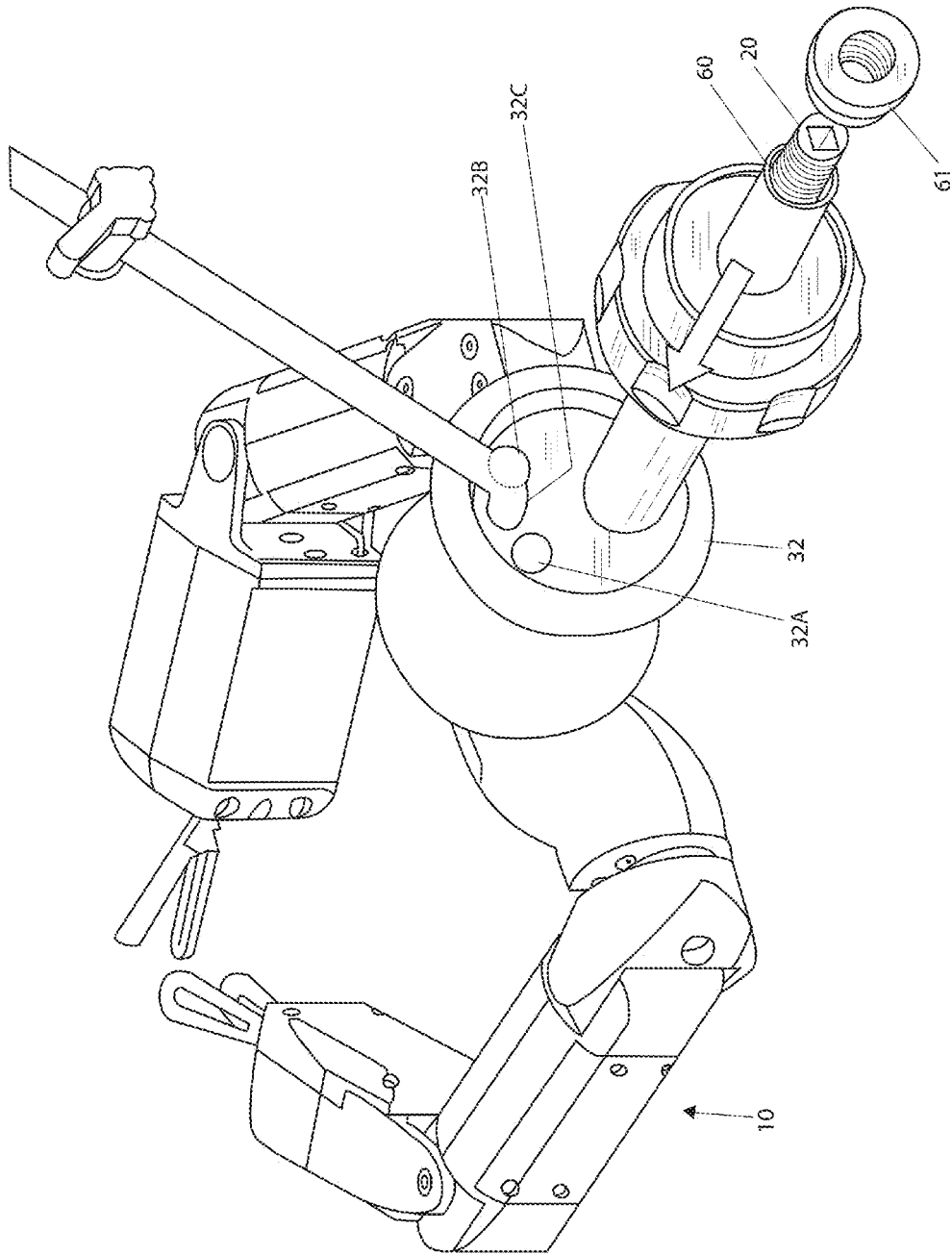


Figure 9

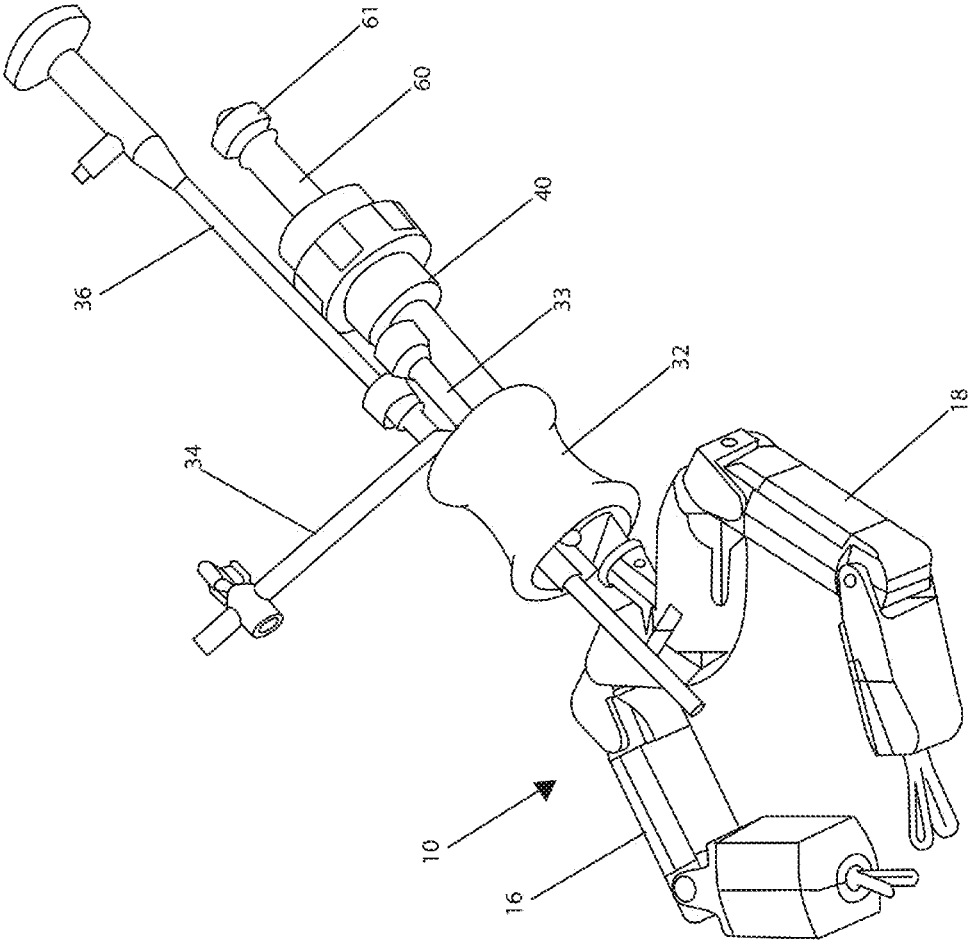


Figure 10

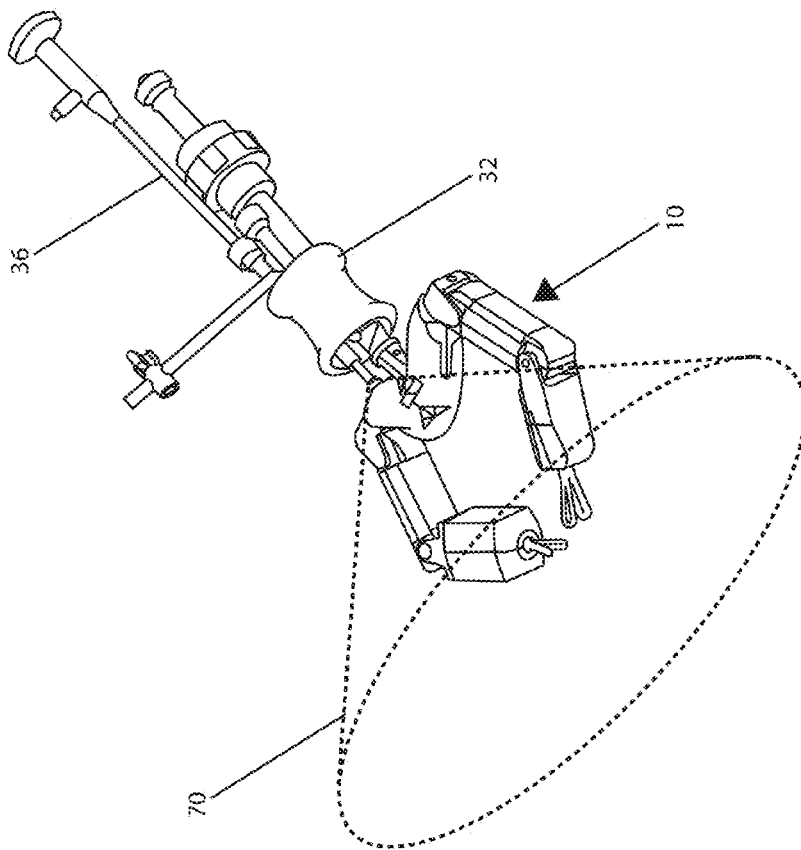


Figure 11

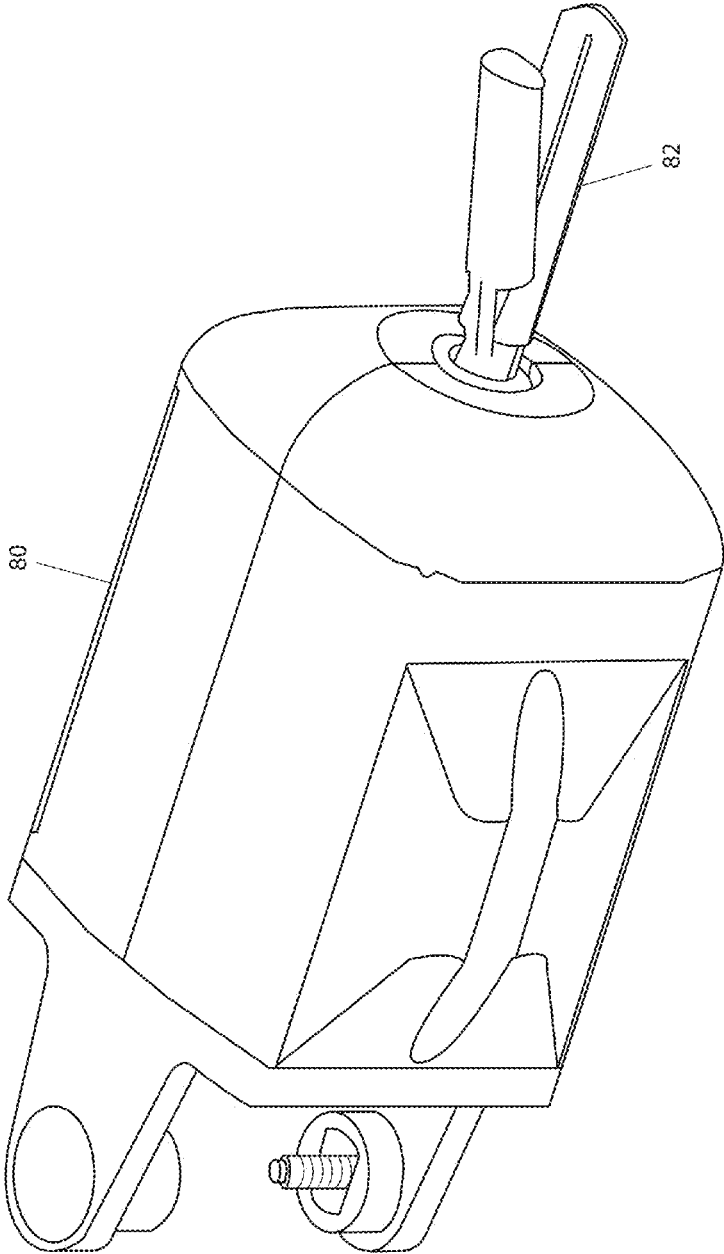


Figure 12A

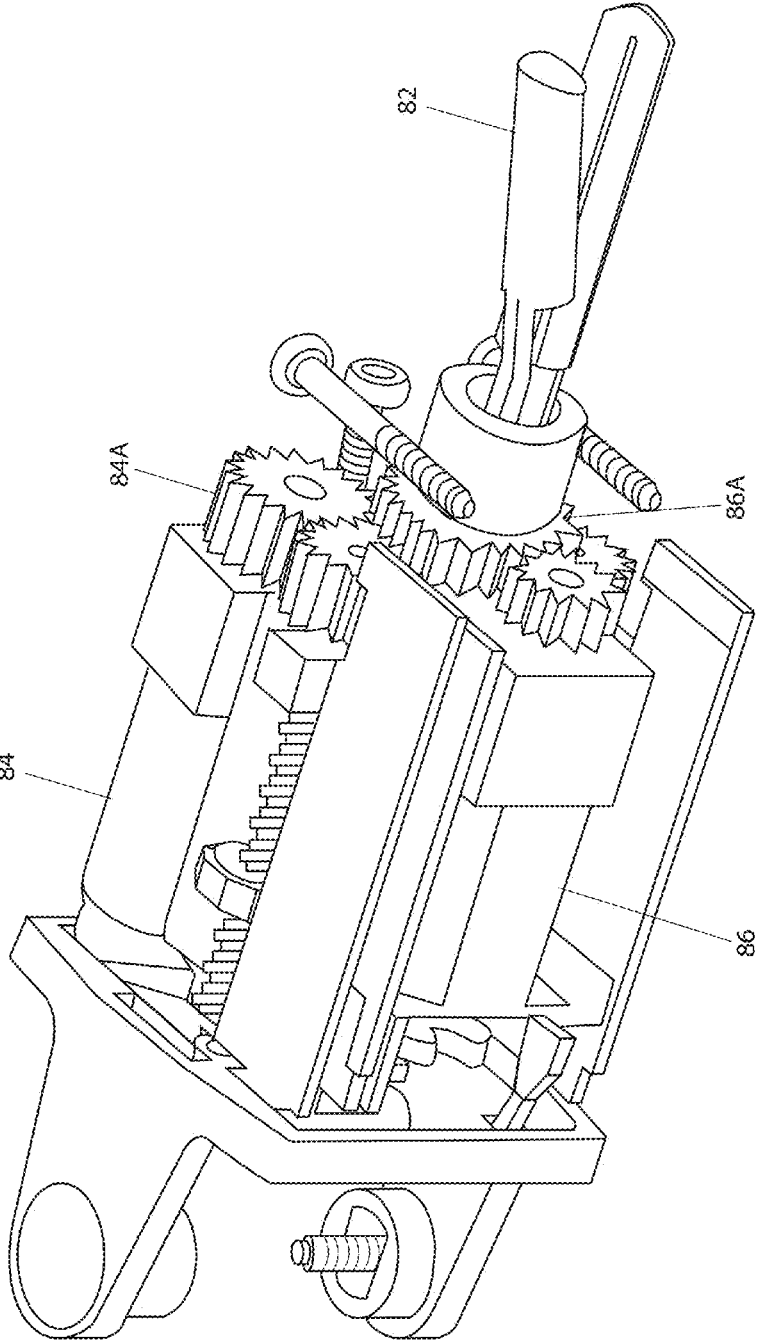


Figure 12B

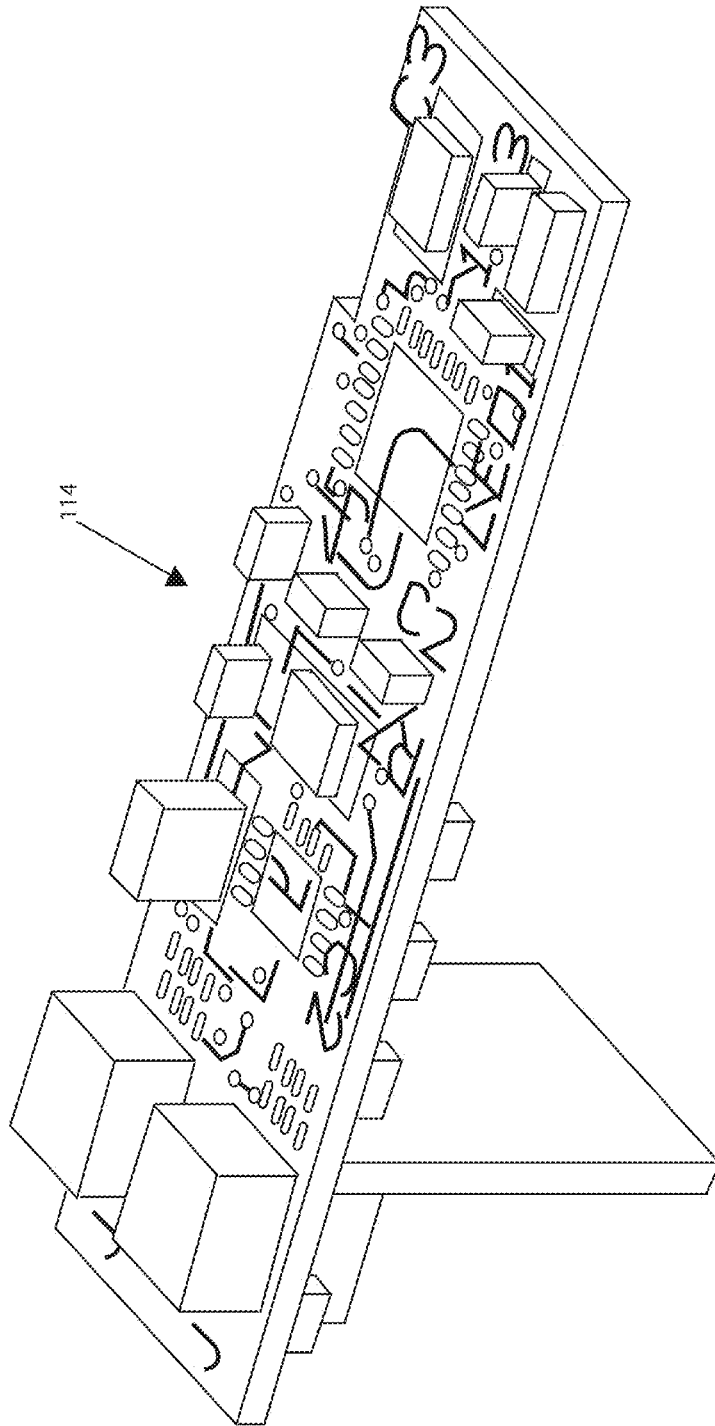


Figure 12C

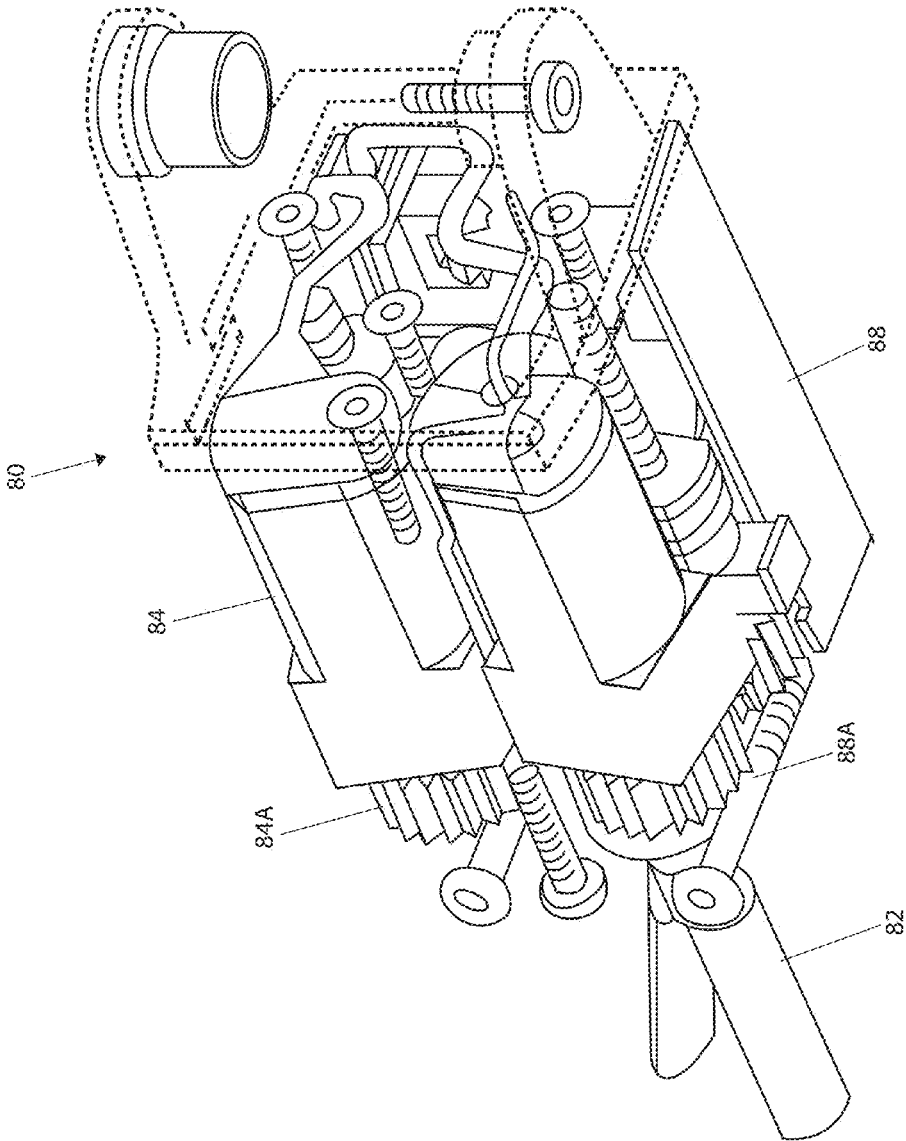


Figure 12D

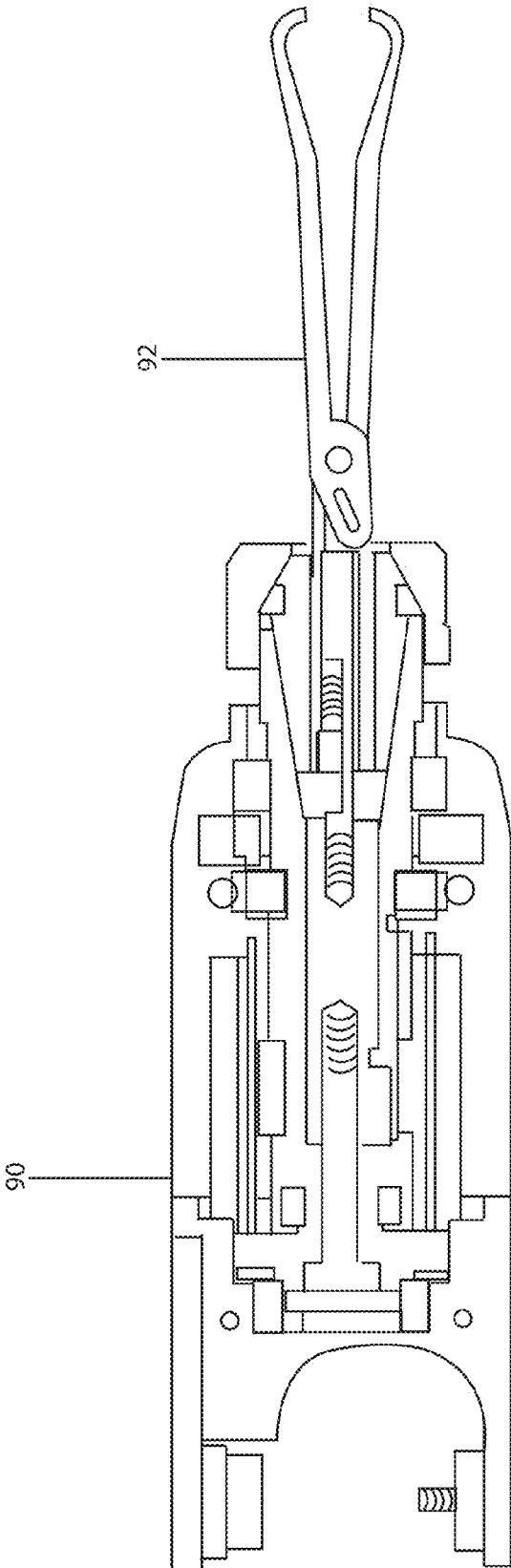


Figure 13A

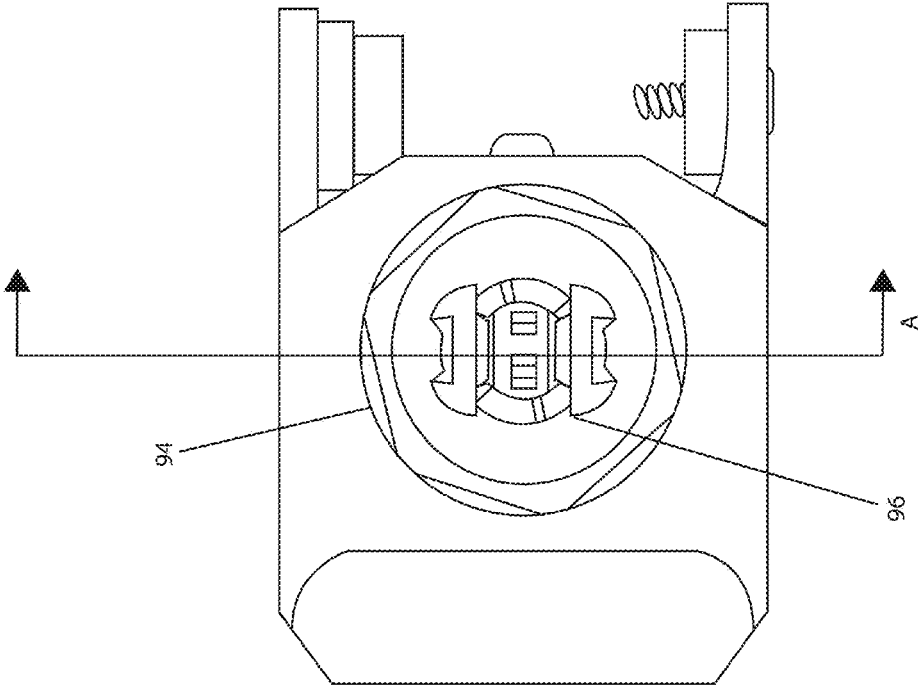


Figure 13B

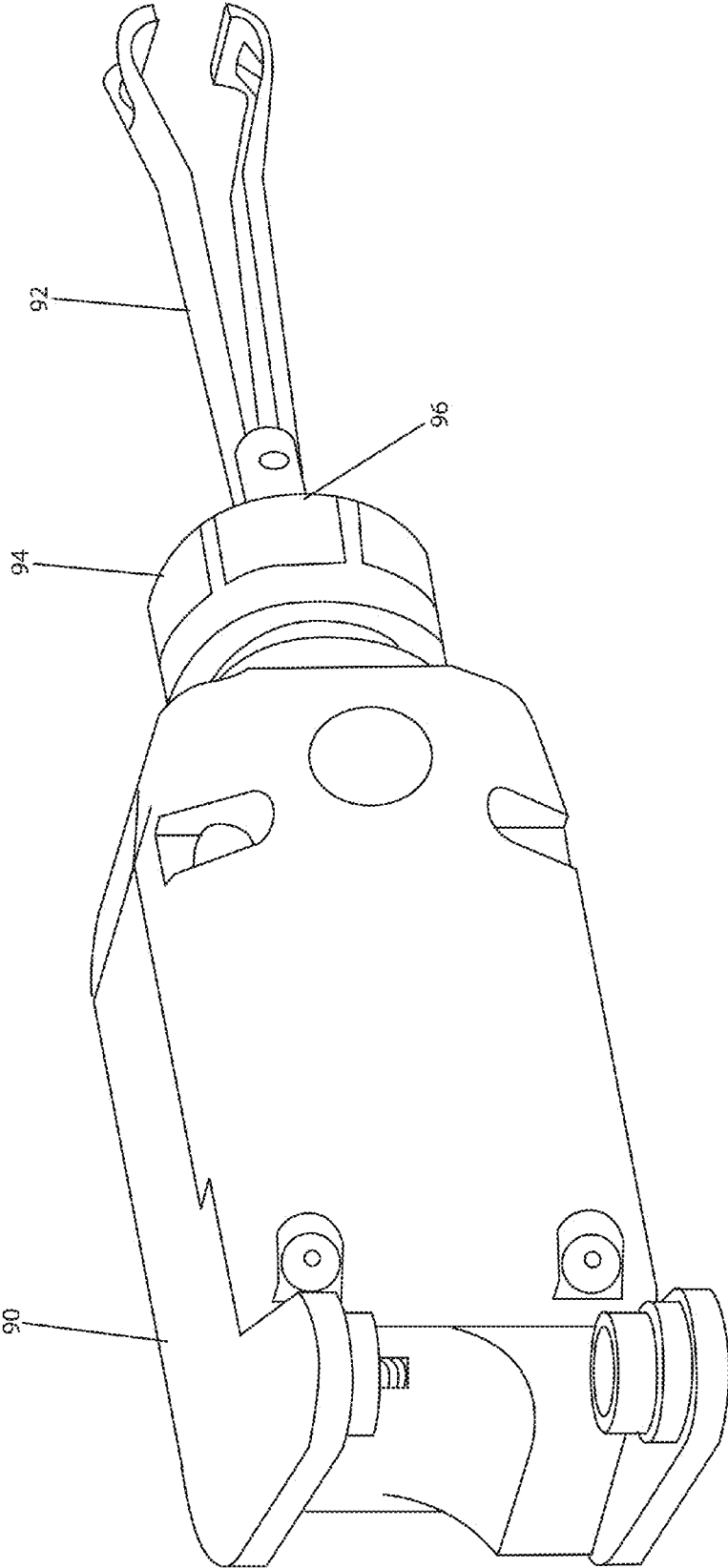


Figure 13C

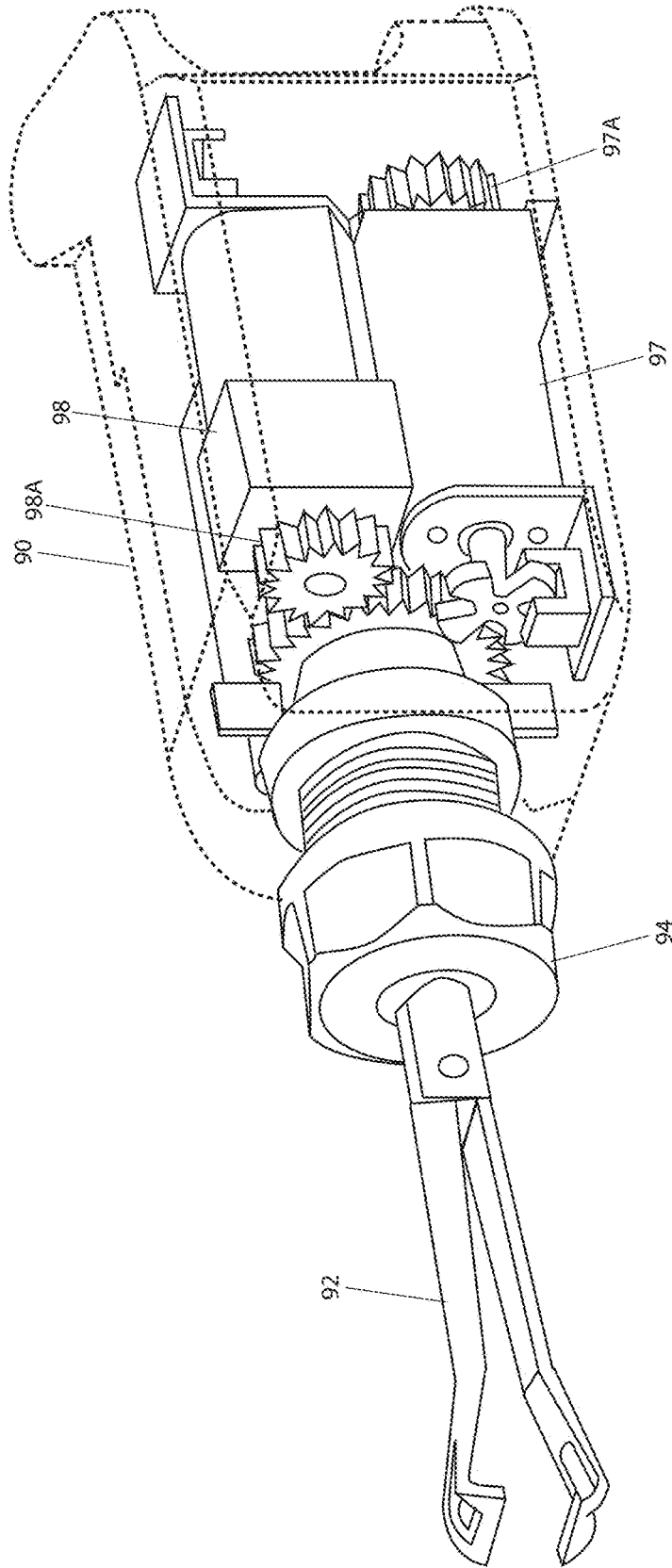


Figure 13D

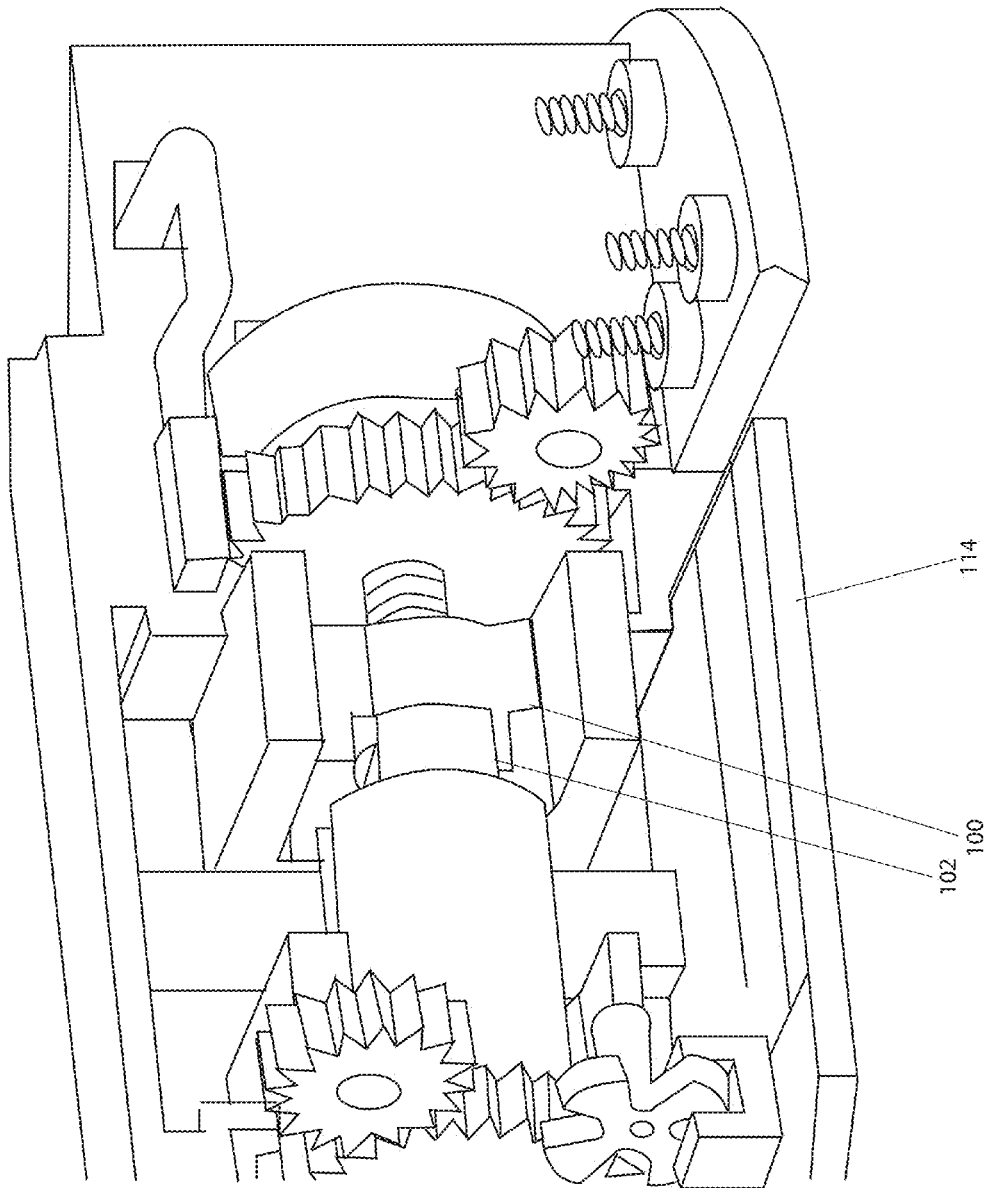


Figure 14

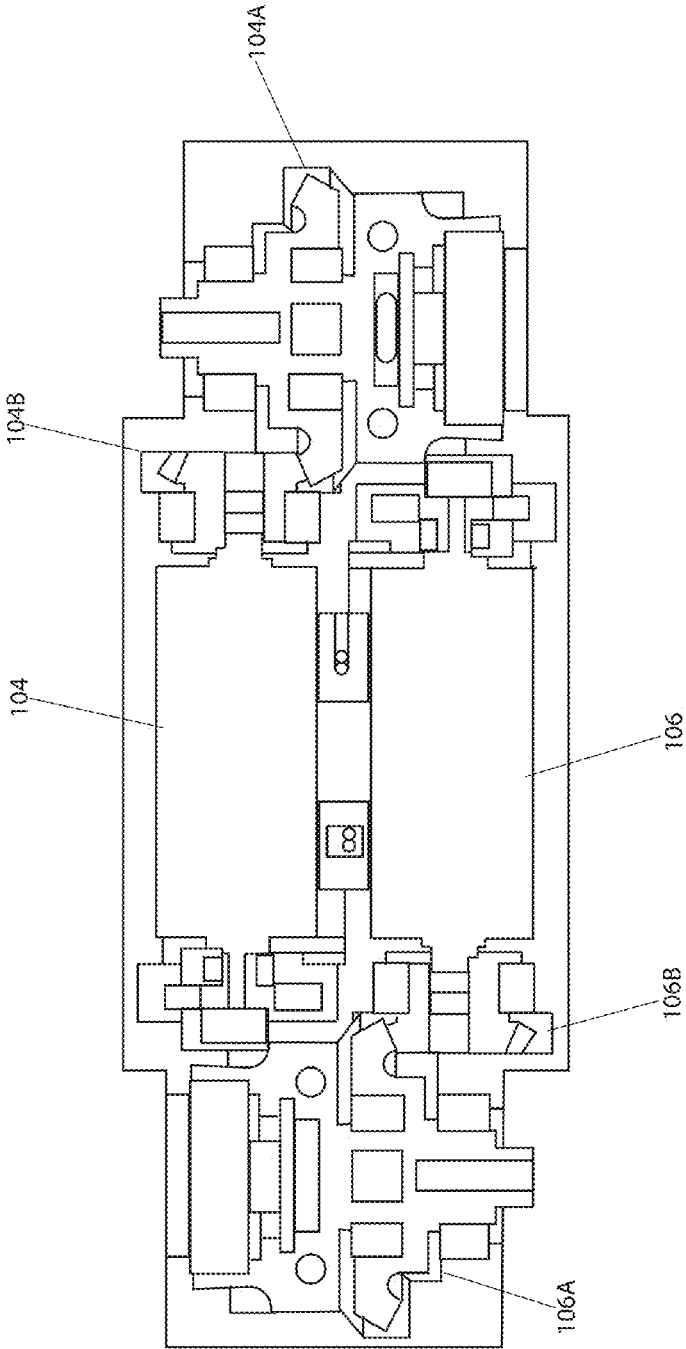


FIGURE 15A

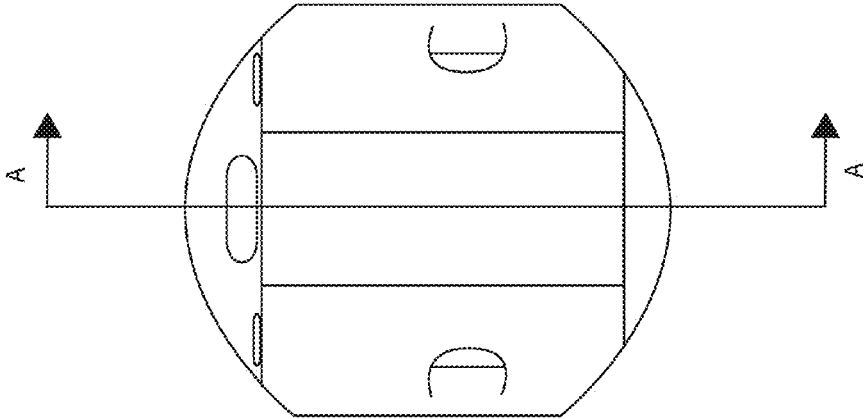


Figure 15B

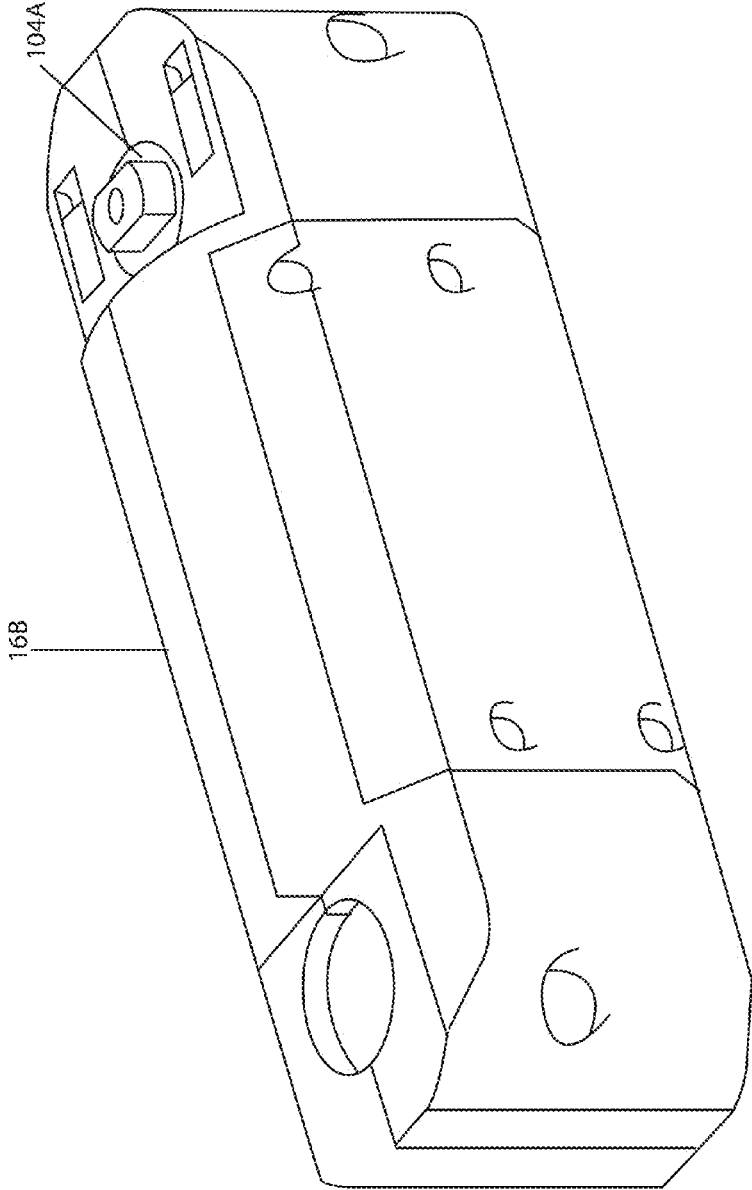


Figure 15C

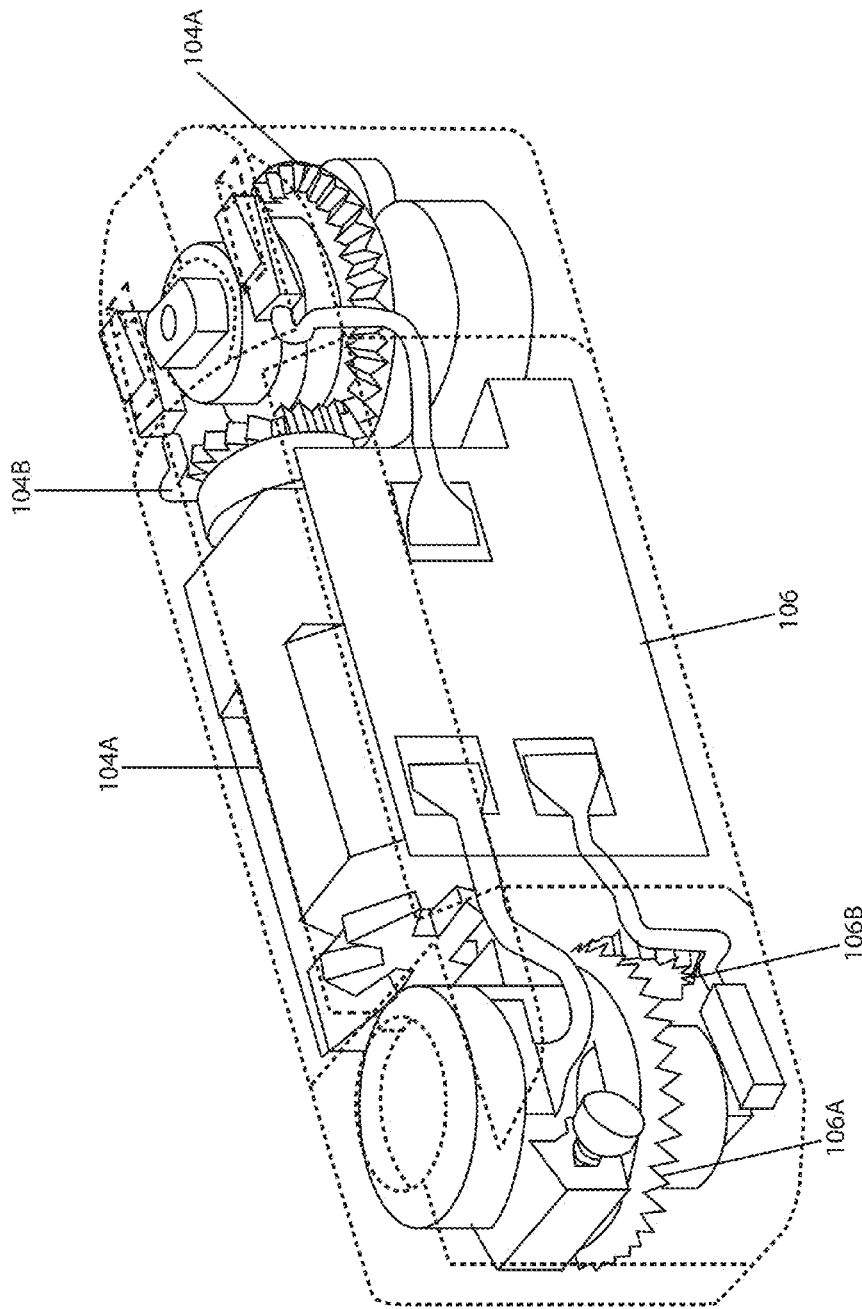


Figure 15D

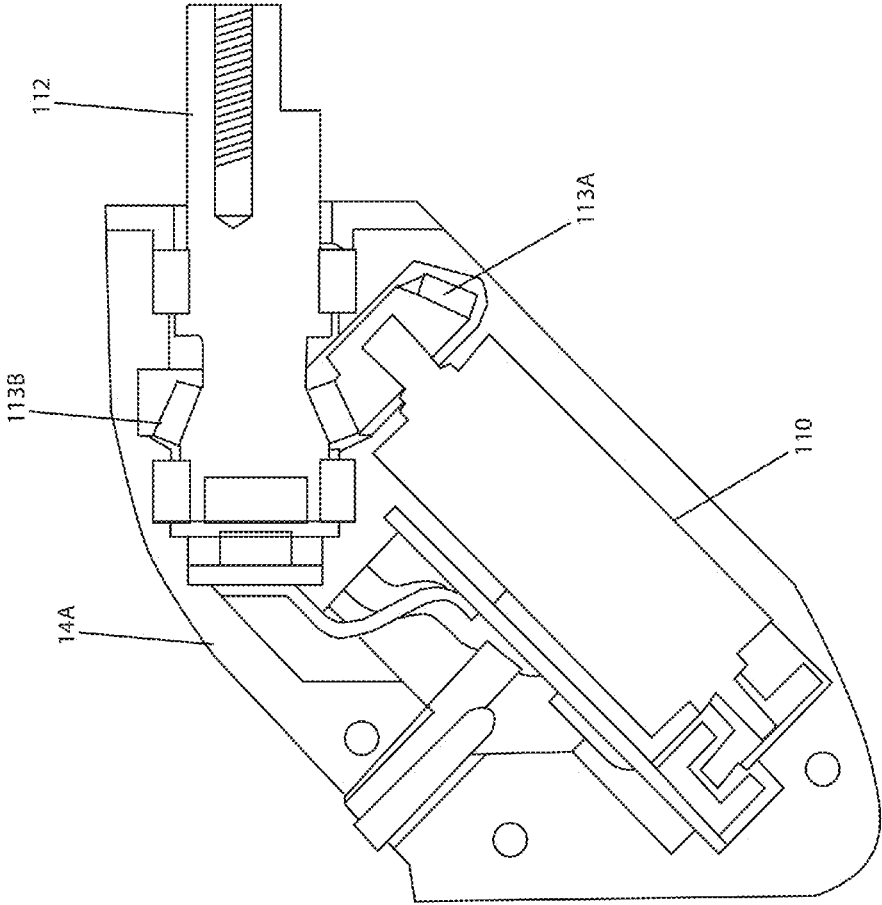


Figure 16A

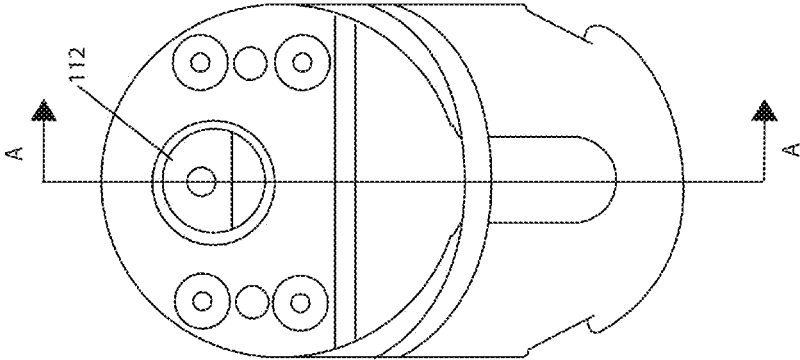


Figure 16B

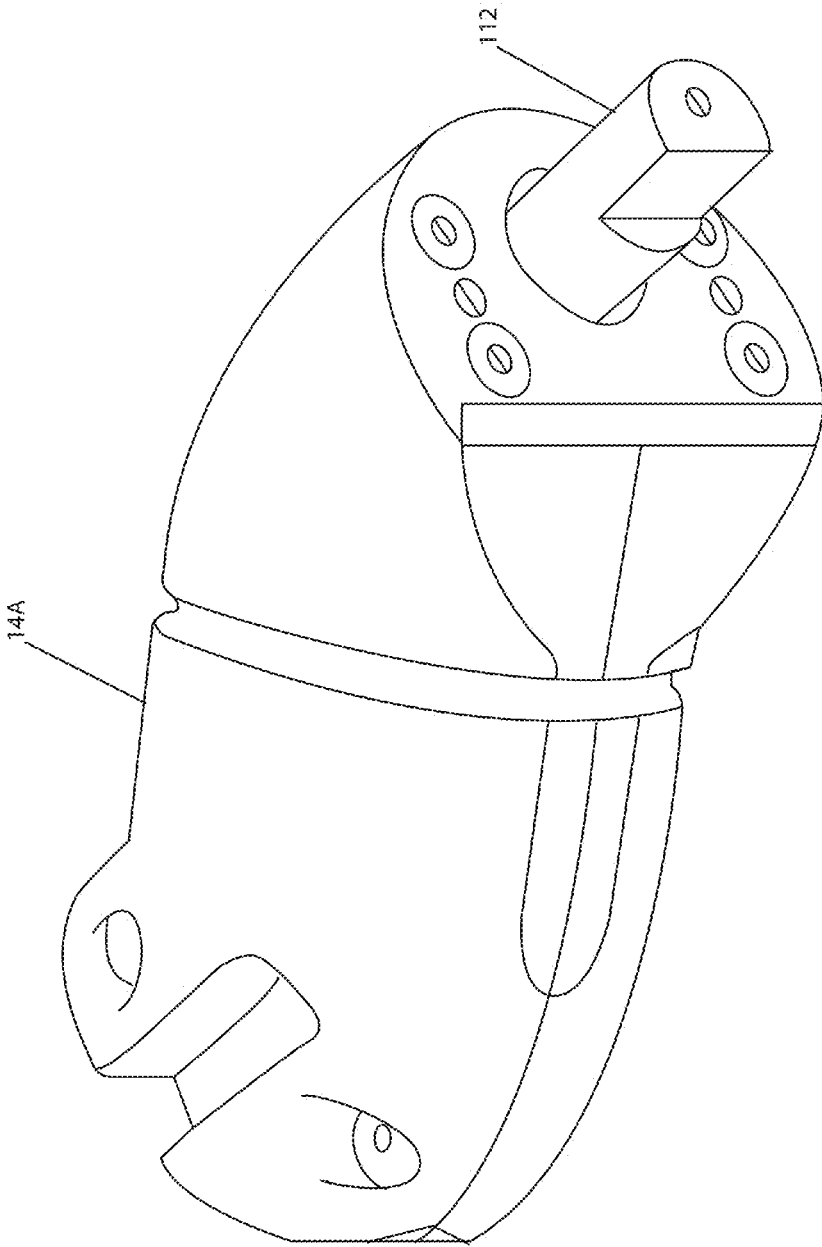


Figure 16C

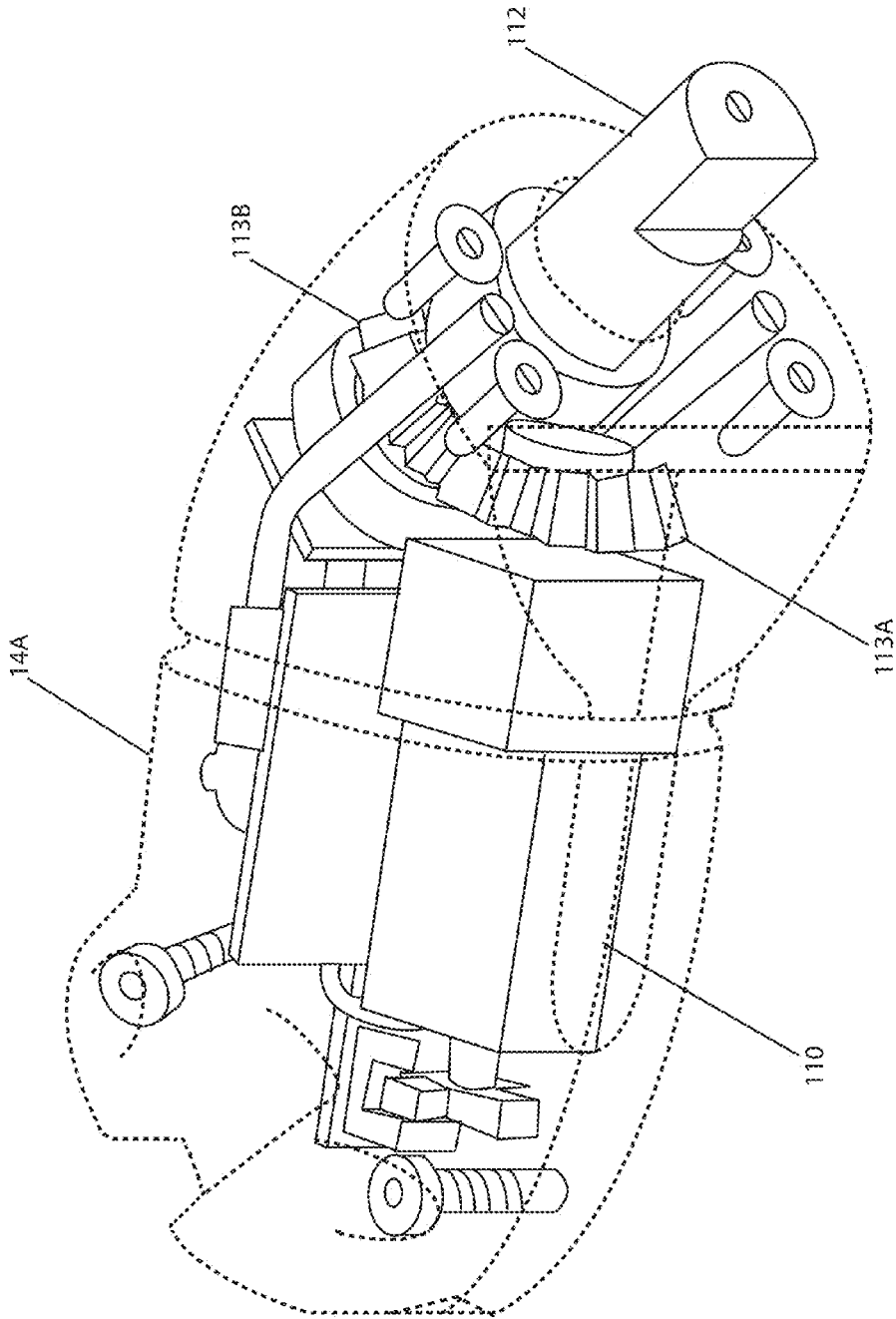


Figure 16D

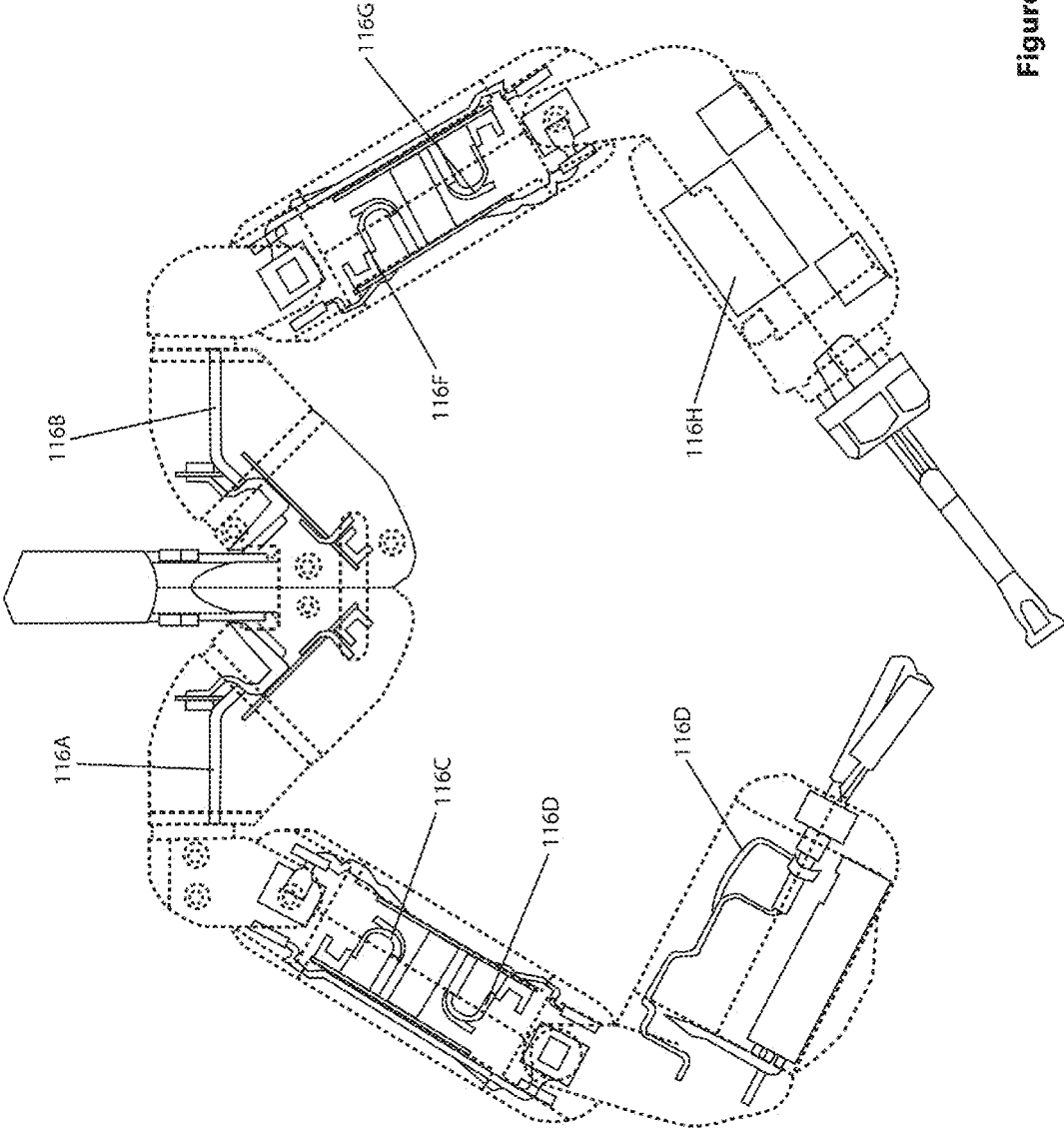


Figure 17A

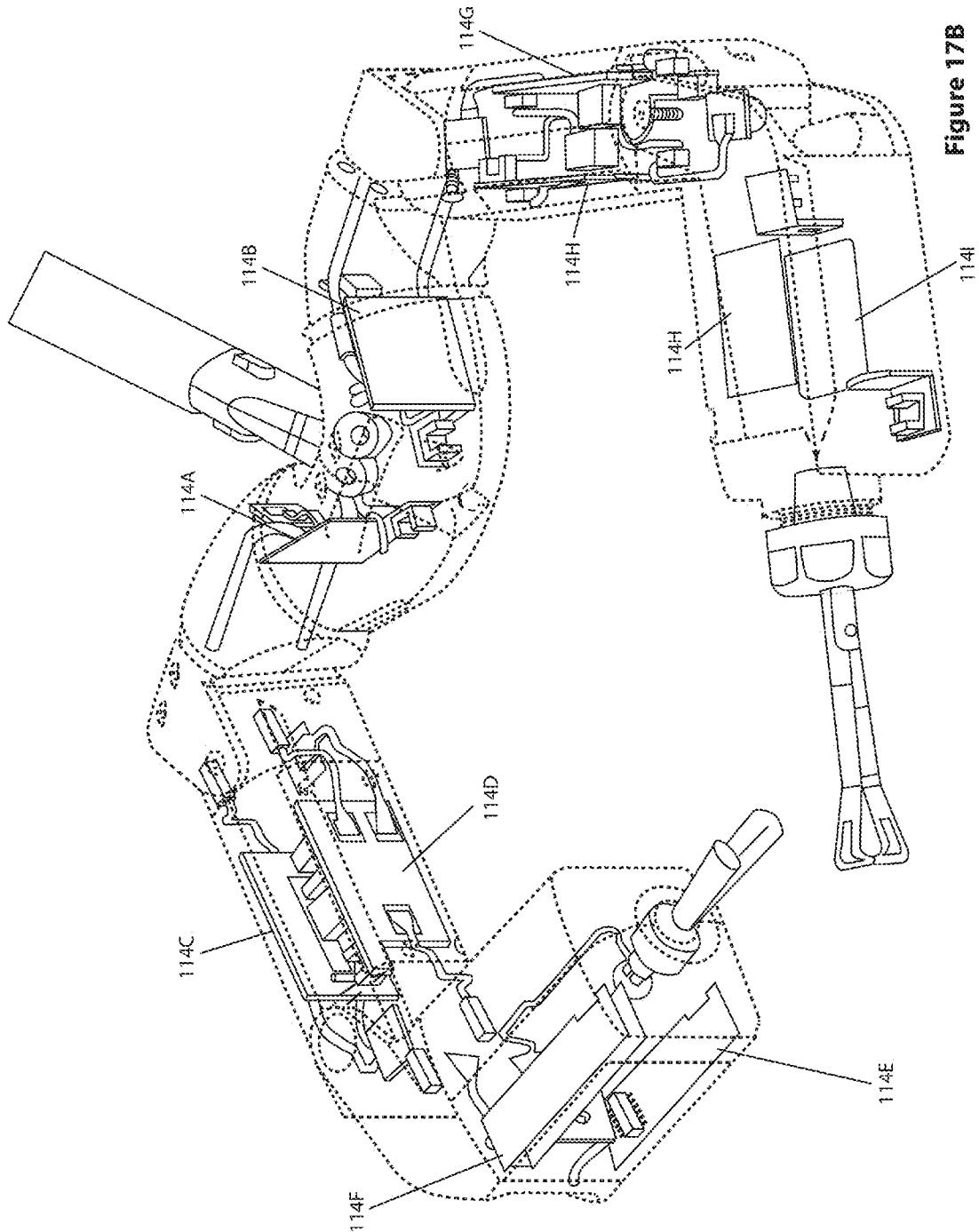


Figure 17B

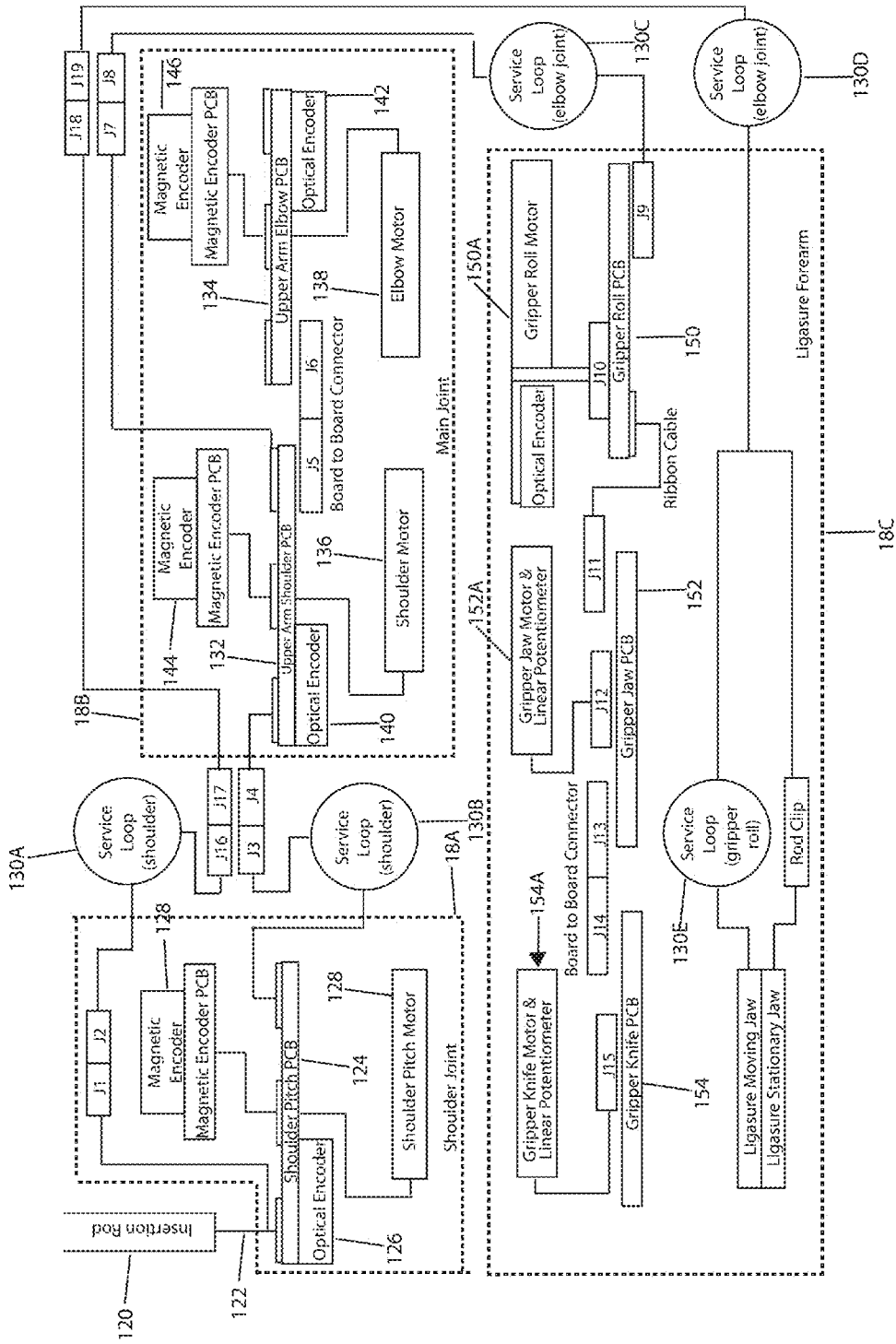


Figure 18

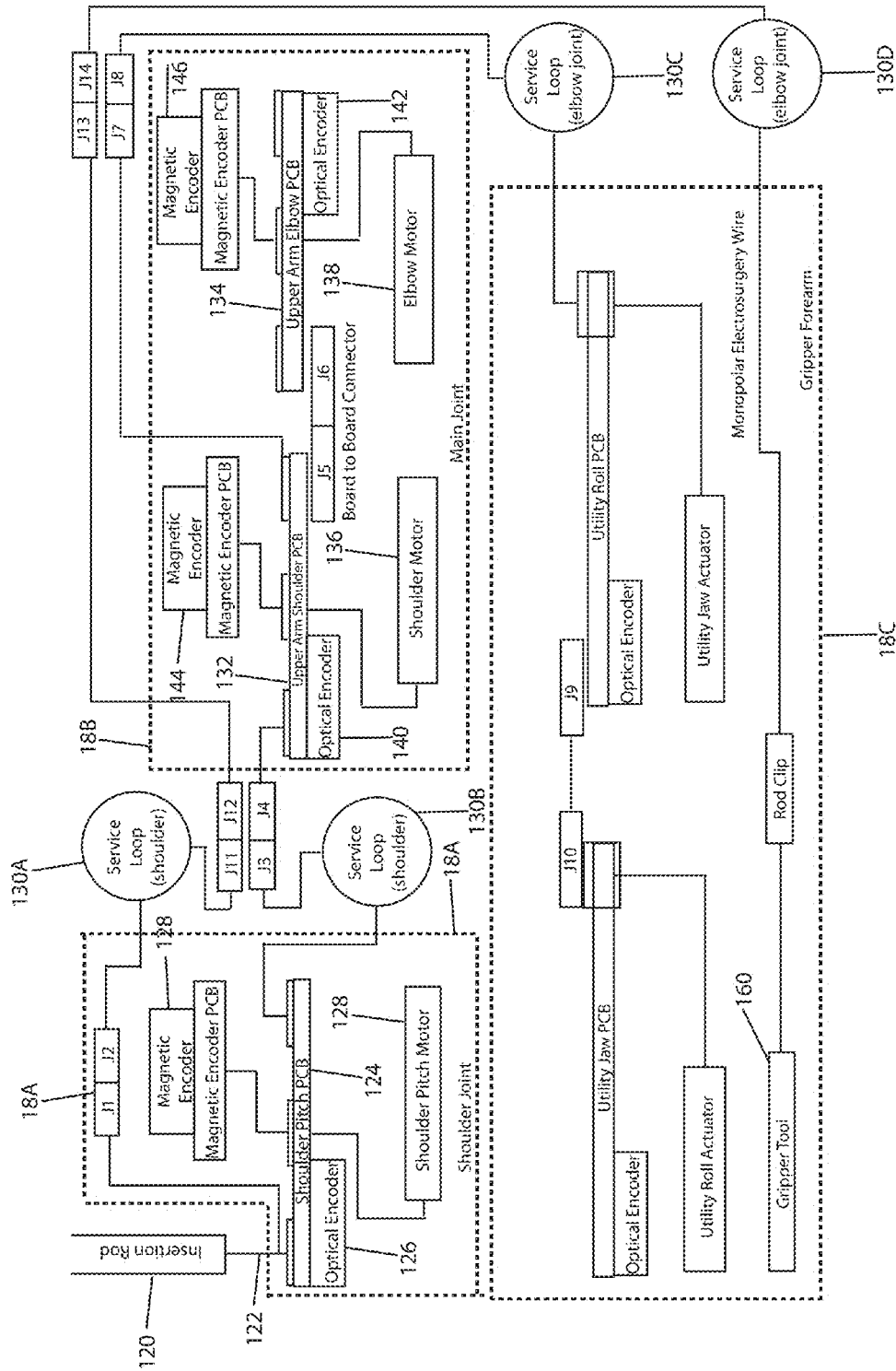


Figure 19

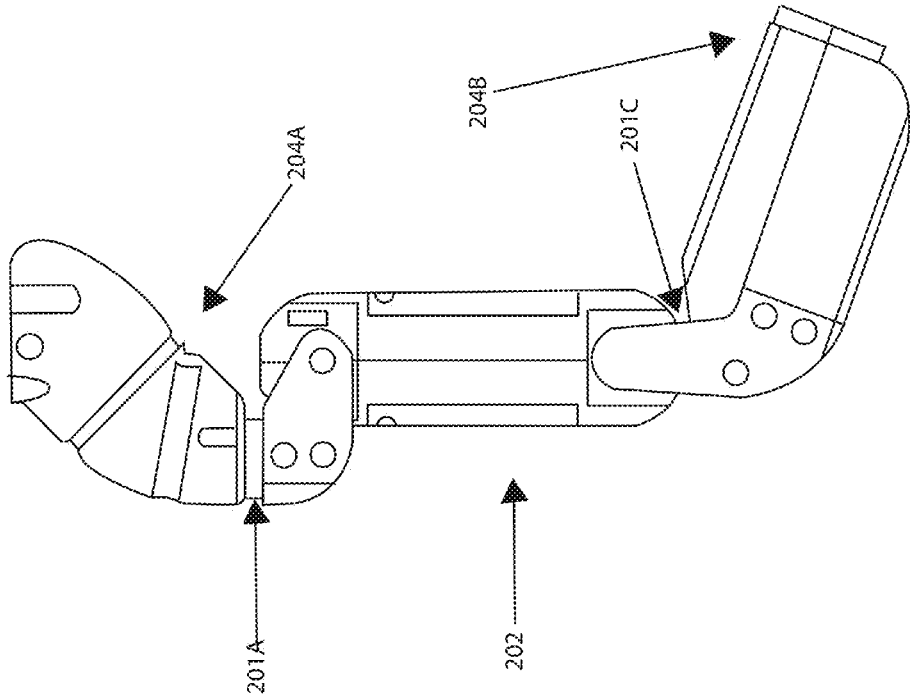


Figure 20A

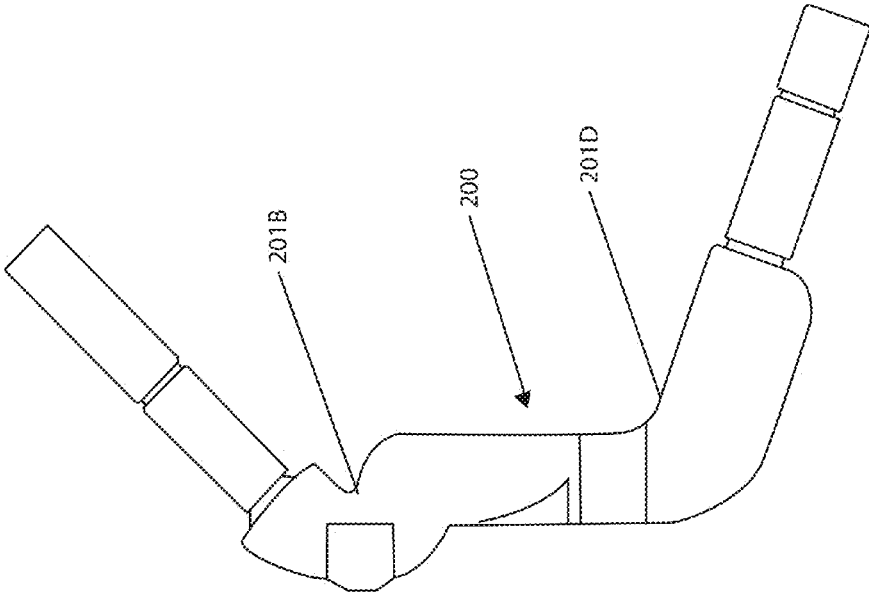


Figure 20B

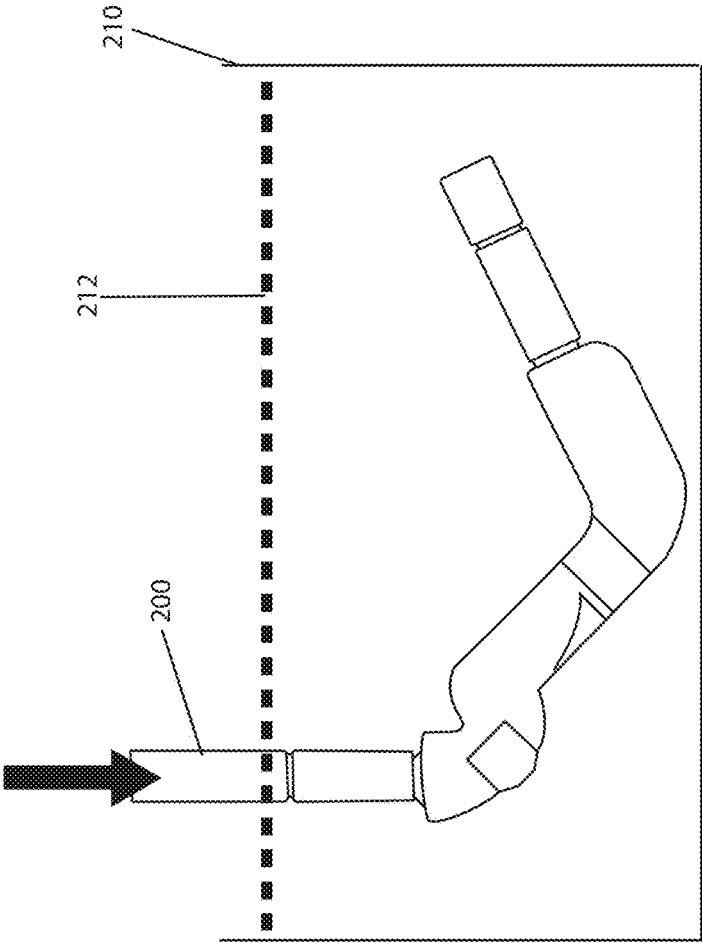


Figure 21A

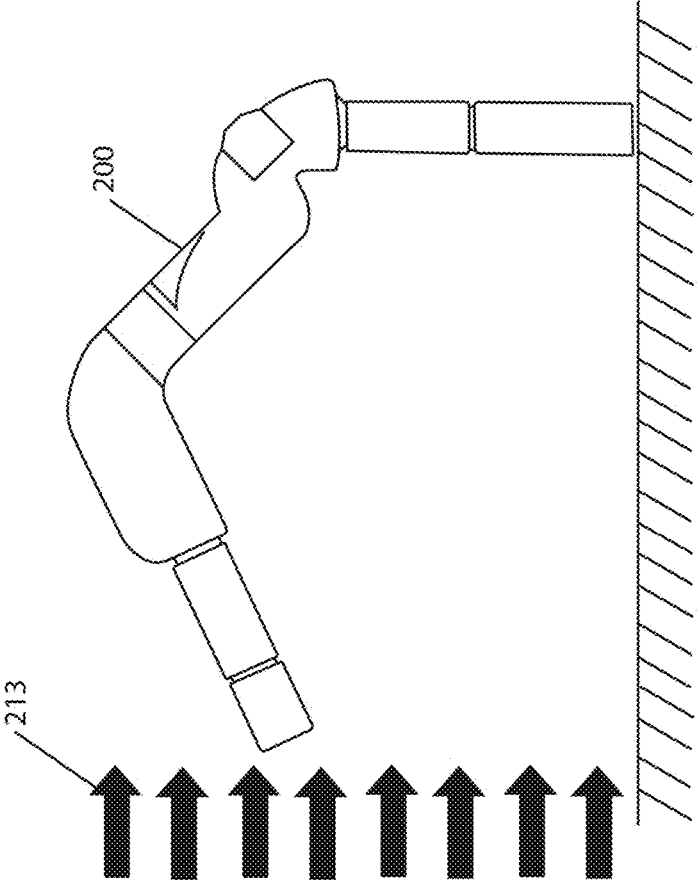


Figure 21B

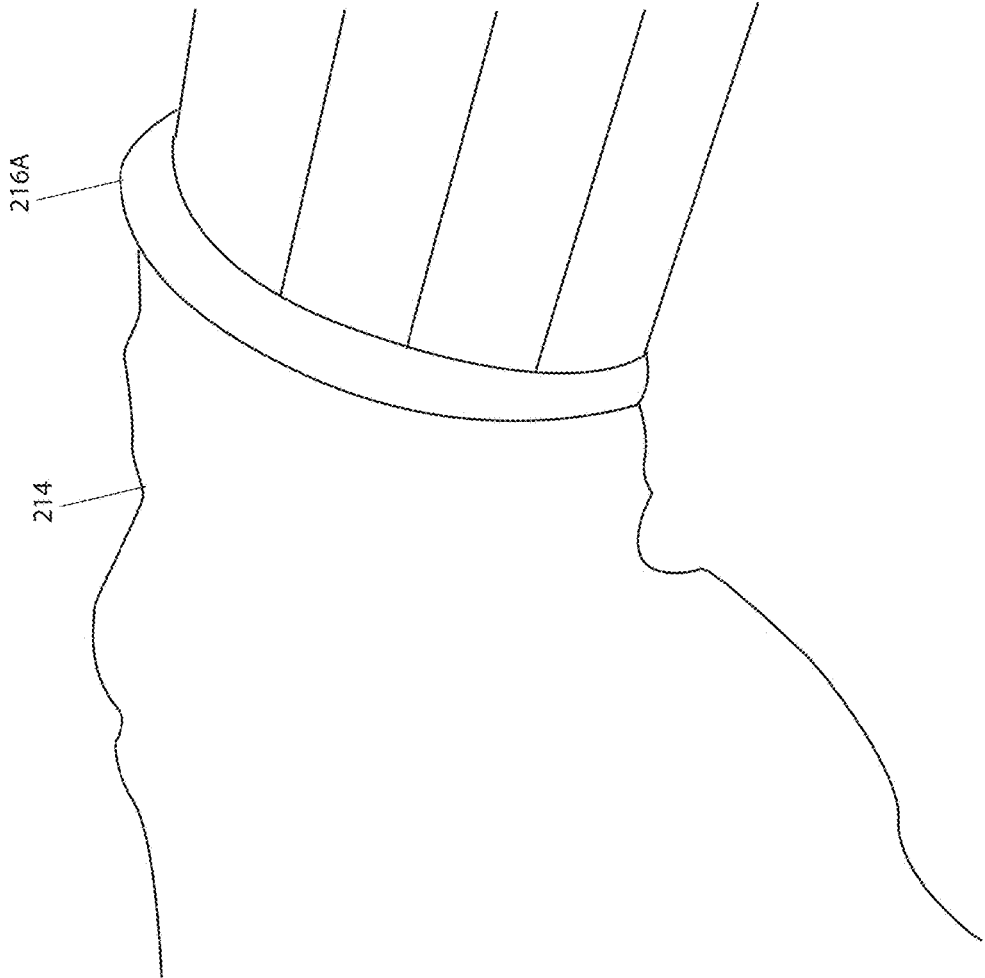


Figure 22A

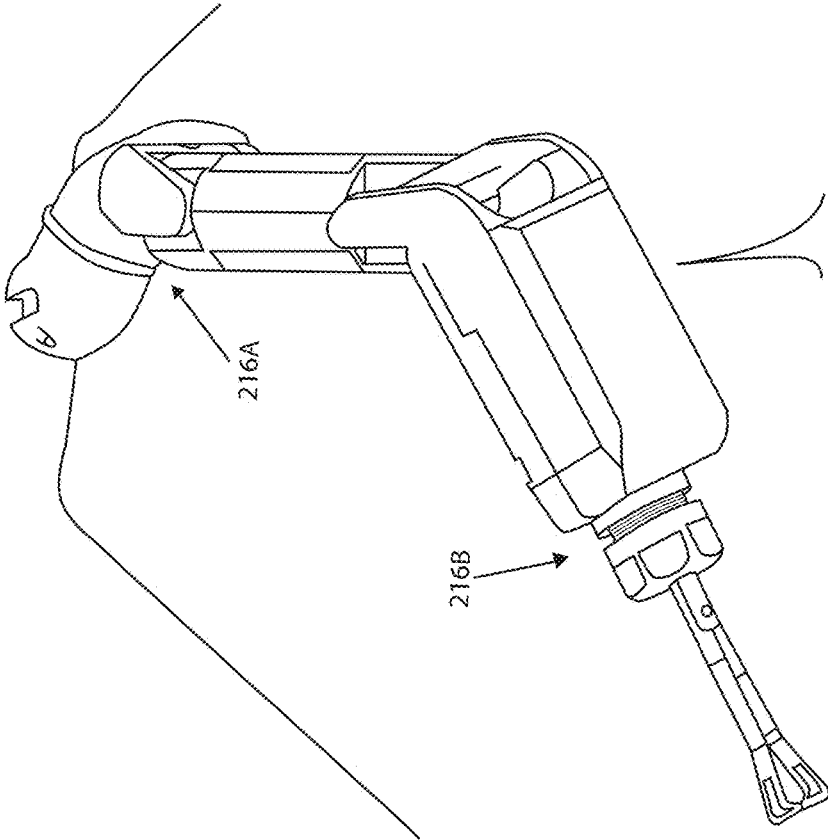


Figure 22B

ROBOTIC SURGICAL DEVICES, SYSTEMS, AND RELATED METHODS

CROSS REFERENCE TO RELATED APPLICATIONS

This application claims priority from U.S. Provisional Application 61/680,809, filed Aug. 8, 2012, and entitled "Robotic Surgical Devices, Systems, and Methods," which is hereby incorporated herein by reference in its entirety.

GOVERNMENT SUPPORT

This invention was made with government support under Grant No. W81XWH-08-02-0043 awarded by the U.S. Army Medical Research and Materiel Command within the Department of Defense. Accordingly, the government has certain rights in this invention.

TECHNICAL FIELD

The embodiments disclosed herein relate to various medical devices and related components, including robotic and/or in vivo medical devices and related components. Certain embodiments include various robotic medical devices, including robotic devices that are disposed within a body cavity and positioned using a support component disposed through an orifice or opening in the body cavity. Further embodiments relate to methods of operating the above devices.

BACKGROUND

Invasive surgical procedures are essential for addressing various medical conditions. When possible, minimally invasive procedures such as laparoscopy are preferred.

However, known minimally invasive technologies such as laparoscopy are limited in scope and complexity due in part to 1) mobility restrictions resulting from using rigid tools inserted through access ports, and 2) limited visual feedback. Known robotic systems such as the da Vinci® Surgical System (available from Intuitive Surgical, Inc., located in Sunnyvale, Calif.) are also restricted by the access ports, as well as having the additional disadvantages of being very large, very expensive, unavailable in most hospitals, and having limited sensory and mobility capabilities.

There is a need in the art for improved surgical methods, systems, and devices.

BRIEF DESCRIPTION OF THE DRAWINGS

FIG. 1A is a diagram showing a robotic surgical system, including a robotic device positioned inside a body, according to one embodiment.

FIG. 1B is a perspective view of the device of FIG. 1A.

FIG. 2A is a perspective view of a robotic medical device, according to one embodiment.

FIG. 2B is a perspective view of a robotic medical device showing the axes of rotation, according to one embodiment.

FIG. 3 is a perspective view of a robotic device and related equipment, according to one embodiment.

FIG. 4 is a perspective view of a robotic device and related equipment, according to one embodiment.

FIG. 5 is a perspective view of a robotic device and related equipment, according to one embodiment.

FIG. 6A is a perspective view of a robotic device poised to be inserted into a patient's cavity, according to one embodiment.

FIG. 6B is a perspective view of a robotic device poised to be inserted into a patient's cavity, according to one embodiment.

FIG. 7 is a side view of a robotic device during insertion and assembly, according to one embodiment.

FIG. 8 is another perspective view of the robotic device with an overtube for assembly, according to one embodiment.

FIG. 9 is another perspective view of the robotic device during assembly, according to one embodiment.

FIG. 10 is another perspective view of the robotic device and related equipment, according to one embodiment.

FIG. 11 is a view of a robotic device and related equipment, according to one embodiment.

FIG. 12A is a perspective view of a robotic medical device, according to one embodiment.

FIG. 12B is a cutaway perspective view of a robotic medical device, according to one embodiment.

FIG. 12C is a perspective view of a printed circuit board of a robotic medical device, according to one embodiment.

FIG. 12D is a cutaway perspective view of a robotic medical device, according to one embodiment.

FIG. 13A is a side cutaway view of a robotic medical device, according to one embodiment.

FIG. 13B is a front view of a forearm of a robotic medical device, according to one embodiment.

FIG. 13C is a rear perspective view of a forearm of a robotic medical device, according to one embodiment.

FIG. 13D is cutaway perspective view of a forearm of a robotic medical device, according to one embodiment.

FIG. 14 shows a cut away perspective view of a robotic forearm, according to one embodiment.

FIG. 15A shows a cutaway side view of a robotic upper arm, according to one embodiment.

FIG. 15B shows an end view of a robotic upper arm, according to one embodiment.

FIG. 15C shows a perspective view of a robotic upper arm, according to one embodiment.

FIG. 15D shows a cutaway perspective view of a robotic upper arm, according to one embodiment.

FIG. 16A shows a cutaway side view of a robotic shoulder, according to one embodiment.

FIG. 16B shows an end view of a robotic shoulder, according to one embodiment.

FIG. 16C shows a perspective view of a robotic shoulder, according to one embodiment.

FIG. 16D shows a perspective cutaway view of a robotic shoulder, according to one embodiment.

FIG. 17A shows a top cutaway view of robotic device cabling, according to one embodiment.

FIG. 17B shows a cutaway perspective view of robotic device circuit boards, according to one embodiment.

FIG. 18 shows a block diagram of electronics for a robotic device/arm, according to one embodiment.

FIG. 19 shows a block diagram of electronics for a robotic device/arm, according to one embodiment.

FIG. 20A shows a robotic arm according to one embodiment.

FIG. 20B shows a robotic arm sleeve mold, according to one embodiment.

FIG. 21A shows a robotic arm and sleeve making process overview, according to one embodiment.

FIG. 21B shows a robotic arm and sleeve making process overview, according to one embodiment.

3

FIG. 22A shows the rolled edges of the protective sleeve and the sleeve placed on the robotic arm, according to one embodiment.

FIG. 22B shows the rolled edges of the protective sleeve and the sleeve placed on the robotic arm, according to one embodiment.

DETAILED DESCRIPTION

The various systems and devices disclosed herein relate to devices for use in medical procedures and systems. More specifically, various embodiments relate to various medical devices, including robotic devices and related methods and systems.

It is understood that the various embodiments of robotic devices and related methods and systems disclosed herein can be incorporated into or used with any other known medical devices, systems, and methods.

For example, the various embodiments disclosed herein may be incorporated into or used with any of the medical devices and systems disclosed in copending U.S. application Ser. No. 12/192,779 (filed on Aug. 15, 2008 and entitled “Modular and Cooperative Medical Devices and Related Systems and Methods”), U.S. Pat. No. 7,492,116 (filed on Oct. 31, 2007 and entitled “Robot for Surgical Applications”), U.S. Pat. No. 7,772,796 (filed on Apr. 3, 2007 and entitled “Robot for Surgical Applications”), Ser. No. 11/947,097 (filed on Nov. 27, 2007 and entitled “Robotic Devices with Agent Delivery Components and Related Methods”), Ser. No. 11/932,516 (filed on Oct. 31, 2007 and entitled “Robot for Surgical Applications”), Ser. No. 11/766,683 (filed on Jun. 21, 2007 and entitled “Magnetically Coupleable Robotic Devices and Related Methods”), Ser. No. 11/766,720 (filed on Jun. 21, 2007 and entitled “Magnetically Coupleable Surgical Robotic Devices and Related Methods”), Ser. No. 11/966,741 (filed on Dec. 28, 2007 and entitled “Methods, Systems, and Devices for Surgical Visualization and Device Manipulation”), Ser. No. 12/171,413 (filed on Jul. 11, 2008 and entitled “Methods and Systems of Actuation in Robotic Devices”), 60/956,032 (filed on Aug. 15, 2007), 60/983,445 (filed on Oct. 29, 2007), 60/990,062 (filed on Nov. 26, 2007), 60/990,076 (filed on Nov. 26, 2007), 60/990,086 (filed on Nov. 26, 2007), 60/990,106 (filed on Nov. 26, 2007), 60/990,470 (filed on Nov. 27, 2007), 61/025,346 (filed on Feb. 1, 2008), 61/030,588 (filed on Feb. 22, 2008), 61/030,617 (filed on Feb. 22, 2008), U.S. Pat. No. 8,179,073 (issued May 15, 2011, and entitled “Robotic Devices with Agent Delivery Components and Related Methods”), Ser. No. 12/324,364 (filed Nov. 26, 2008, U.S. Published App. 2009/0171373 and entitled “Multifunctional Operational Component for Robotic Devices”), and Ser. No. 13/493,725 (filed Jun. 11, 2012 and entitled “Methods, Systems, and Devices Relating to Surgical End Effectors”), all of which are hereby incorporated herein by reference in their entireties.

Certain device and system implementations disclosed in the applications listed above can be positioned within a body cavity of a patient in combination with a support component similar to those disclosed herein. An “in vivo device” as used herein means any device that can be positioned, operated, or controlled at least in part by a user while being positioned within a body cavity of a patient, including any device that is coupled to a support component such as a rod or other such component that is disposed through an opening or orifice of the body cavity, also including any device positioned substantially against or adjacent to a wall of a body cavity of a patient, further including any such device

4

that is internally actuated (having no external source of motive force), and additionally including any device that may be used laparoscopically or endoscopically during a surgical procedure. As used herein, the terms “robot,” and “robotic device” shall refer to any device that can perform a task either automatically or in response to a command.

Certain embodiments provide for insertion of the present invention into the cavity while maintaining sufficient insufflation of the cavity. Further embodiments minimize the physical contact of the surgeon or surgical users with the present invention during the insertion process. Other implementations enhance the safety of the insertion process for the patient and the present invention. For example, some embodiments provide visualization of the present invention as it is being inserted into the patient’s cavity to ensure that no damaging contact occurs between the system/device and the patient. In addition, certain embodiments allow for minimization of the incision size/length. Further implementations reduce the complexity of the access/insertion procedure and/or the steps required for the procedure. Other embodiments relate to devices that have minimal profiles, minimal size, or are generally minimal in function and appearance to enhance ease of handling and use.

Certain implementations disclosed herein relate to “combination” or “modular” medical devices that can be assembled in a variety of configurations. For purposes of this application, both “combination device” and “modular device” shall mean any medical device having modular or interchangeable components that can be arranged in a variety of different configurations. The modular components and combination devices disclosed herein also include segmented triangular or quadrangular-shaped combination devices. These devices, which are made up of modular components (also referred to herein as “segments”) that are connected to create the triangular or quadrangular configuration, can provide leverage and/or stability during use while also providing for substantial payload space within the device that can be used for larger components or more operational components. As with the various combination devices disclosed and discussed above, according to one embodiment these triangular or quadrangular devices can be positioned inside the body cavity of a patient in the same fashion as those devices discussed and disclosed above.

FIGS. 1A and 1B depict an exemplary system **1** that includes a robotic surgical device **10** disposed within the inflated peritoneal cavity **2** of a patient. It is understood that the various device and system embodiments disclosed herein, including the system **1** of FIGS. 1A and 1B, can be used for a variety of surgical procedures and tasks including, but not limited to, tissue biopsy, tissue dissection, or tissue retraction. For example, as shown in FIGS. 1A and 1B in accordance with one embodiment, the device **10** can be used to dissect tissue in the peritoneal cavity **2**. In this system embodiment, a user (such as, for example, a surgeon) **3** operates a user interface **4** to control the device **10**. The interface **4** is operably coupled to the device **10** by a cable **5** or other type of physical connection that provides for electronic power and/or electrical communication back and forth between the interface **4** and the device **10**. Alternatively, the interface **4** can be operably coupled to the device **10** wirelessly. It is understood that the device embodiments disclosed herein can also be used with any other known system, including any of the systems disclosed in the various patent applications incorporated by reference above and elsewhere herein.

FIG. 2A depicts a robotic medical device **10**, in accordance with one implementation. According to one embodi-

5

ment, the device is an in vivo device. This device 10 embodiment as shown includes a body 12 that has two components 14A, 14B, which in this embodiment are cylindrical components 14A, 14B at an approximately 120 degree angle to each other. The cylindrical components 14A, 14B can also be referred to herein as shoulders, including a right shoulder 14A and a left shoulder 14B. In the embodiment depicted in FIG. 2A, the two components 14A, 14B are coupled directly to each other. Alternatively, the two components are not coupled to each other or, in another option, can be individually coupled to an access port used in the surgery. In a further alternative, the body 12 (and any body of any device embodiment disclosed herein) can be a single component and further can be any of the device body embodiments disclosed in the various patent applications incorporated by reference above and elsewhere herein.

The body 12 is connected to two arms 16, 18 in one example of the device. In the implementation shown, the right shoulder 14A is coupled to right arm 16 and left shoulder 14B is coupled to left arm 18. In addition, the body 12 is also coupled to a support component 20, as best shown in FIG. 8. In accordance with one implementation as shown in FIGS. 6A and 6B and described in additional detail below, the support rod 20 as configured is a support rod 20 that is made of two coupleable support rod components 20A, 20B, each of which is independently attached to one of the body components 14A, 14B. More specifically, the support component 20 has a first support rod component 20A that is coupled to the first shoulder 14A and a second support rod component 20B that is coupled to the second shoulder component 14B. Alternatively, the support component 20 can be a single, integral component coupled to the body 12. In certain implementations, the support component 20 can be a rod, tube, or other applicable shape.

Returning to FIG. 2A, each of the arms 16, 18 have a first joint 16A, 18A (each of which can also be referred to as a "shoulder joint") that is coupled to the body components 14A, 14B. Each first joint 16A, 18A is coupled to a first link 16B, 18B (also referred to as a "first segment," an "upper segment," or an "upper arm"), each of which is rotatably coupled to a second link 16C, 18C (also referred to as a "second segment," a "lower segment," or a "forearm") via a second joint 16D, 18D (each of which can also be referred to as an "elbow joint"). In addition, each arm 16, 18 also has an operational component (also referred to as an "end effector") 16E, 18E coupled to the forearm 16C, 18C. It is understood that the operational components 16E, 18E (and any of the operational components on any of the embodiments disclosed herein) can be any known operational components, including any of the operational components disclosed in the various patent applications incorporated by reference above and elsewhere herein. By way of example, the components 16E, 18E can be cautery devices, suturing devices, grasping devices, imaging devices, operational arm devices, sensor devices, lighting devices or any other known types of devices or components for use in surgical procedures.

As mentioned above and as shown in FIG. 2B, the first links 16B, 18B are coupled to the body 12 via shoulder joints 16A, 18A. In one embodiment, each shoulder joint 16A, 18A is a joint having two axes of rotation. For example, as will be described in further detail below, the left shoulder joint 18A can be configured to result in rotation of the upper arm 18B as shown by arrow A around axis AA (that substantially corresponds to the longitudinal axis of the body 12) and also as shown by arrow B around axis BB, which is substantially perpendicular to axis AA. Because right should-

6

der joint 16A and right upper arm 16B are substantially the same as the left shoulder joint 18A and the left upper arm 18B, the above description also applies to those substantially similar (or identical) components. Alternatively, any known joint can be used to couple the upper arms 16B, 18B to the body 12.

Continuing with FIG. 2B, the upper arms 16B, 18B, according to one implementation, are coupled to the forearms 16C, 18C, respectively, at the elbow joints 16D, 18D such that each of the forearms 16C, 18C can rotate. For example, the forearms 16C, 18C can rotate as shown by arrow C around axis CC. Further, the end effectors 16E, 18E can also rotate relative to the forearms 16C, 18C, respectively, as shown by arrow D around axis DD. In addition, each of the operational components 16E, 18E can also be actuated to move between at least two configurations, such as an open configuration and a closed configuration. Alternatively, the operational components 16E, 18E can be coupled to the forearms 16C, 18C, respectively, such that the operational components 16E, 18E can be moved or actuated in any known fashion.

According to one embodiment, the operational components 16E, 18E, such as graspers or scissors, are also removable from the forearms 16C, 18C, such that the operational components 16E, 18E are interchangeable with other operational components configured to perform other/different types of procedures. Returning to FIG. 2A, one operational component 16E is a grasper 16E commonly known as a babcock grasper and the other 18E is a vessel sealing grasper 18E. Alternatively, either or both of the components 16E, 18E can be cautery devices, suturing devices, grasping devices, or any other known types of devices or components for use in surgical procedures, or can be easily replaced with such components.

It is understood that the device 10 in this embodiment contains the motors (also referred to as "actuators," and intended to include any known source of motive force) that provide the motive force required to move the arms 16, 18 and the operational components 16E, 18E. In other words, the motors are contained within the device 10 itself (either in the body, the upper arms, the forearms or any and all of these), rather than being located outside the patient's body. Various motors incorporated into various device embodiments will be described in further detail below.

In use, as in the example shown in FIG. 3, the device 10 is positioned inside a patient's body cavity 30. For example, in FIG. 3, the body cavity 30 is the peritoneal cavity 30.

According to one implementation, the device 10 can be sealed inside the insufflated abdominal cavity 30 using a port 32 designed for single incision laparoscopic surgery. Alternatively, the device 10 can be inserted via a natural orifice, or be used in conjunction with other established methods for surgery. The device 10 is supported inside the abdominal cavity using the support rod 20 discussed above. The laparoscopic port 32 can also be used for insertion of an insufflation tube 34, a laparoscope 36 or other visualization device that may or may not be coupled to the device assembly. As an example, a 5 mm laparoscope 36 is shown in FIG. 3.

Alternatively, as shown in FIG. 4, a cannula or trocar 40 can be used in conjunction with the port device 32 to create a seal between the cavity and the external environment. Alternatively, any other known surgical instrument designed for such purposes can be used in conjunction with the port device 32 to create a seal between the cavity and the external environment, as is discussed below with regard to FIG. 9.

According to one alternative embodiment as shown in FIG. 5, a suction/irrigation tube 50 can be coupled with the device 10 and used for surgical suction and/or irrigation. In this embodiment, the tube 50 is coupled to the forearm 16C of the right arm 16. More specifically, the forearm 16C has a channel 52 defined on an exterior surface of the forearm 16C that is configured to receive and removably hold the tube 50. In use, the tube 50 can extend from the device 10 and through an orifice to an external device or system for surgical suction and/or irrigation. Alternatively, the tube 50 can be coupled to the left arm 18 or some other portion of the device 10. In a further alternative, the tube 50 can be disposed internally within the arm 16 or other component of the device 10.

In use, the device 10 can first be separated into the two smaller components as described above and then each of the two components are inserted in consecutive fashion through the orifice into the body cavity. In accordance with one implementation, due to the limitations associated with the amount of space in the cavity, each of the components can form a sequence of various configurations that make it possible to insert each such component into the cavity. That is, each component can be “stepped through” a sequence of configurations that allow the component to be inserted through the orifice and into the cavity.

For example, according to one implementation shown in FIGS. 6A and 6B, the device 10 can be inserted through a single orifice by physically separating the device 10 into separate, smaller components and inserting those components through the single orifice. In one example, the device can be separated into two “halves” or smaller components, in which one half 10A as shown in FIGS. 6A and 6B consists of the right shoulder 14A coupled to the right arm 16. Similarly, while not depicted in FIGS. 6A and 6B, the other half consists of the left shoulder 14B coupled to the left arm 18. It is understood that the left arm 18 is substantially similar to or the same as the right arm 16 such that the description of the right arm herein and the depiction in FIGS. 6A and 6B apply equally to the left arm 18 as well. In this implementation, the right shoulder 14A is coupled to the right support rod component 20A (and the left shoulder 14B is similarly coupled to the left support rod component 20B). Alternatively, this device 10 or any device contemplated herein can be separated into any two or more separable components.

FIGS. 6A and 6B show how the right support component 20A can be rotationally coupled to the shoulder 14A, thereby resulting in movement of the shoulder 14A in relation to the right support component 20A between at least two configurations, making insertion of the overall device into a patient’s cavity easier. More specifically, the right device half 10A is shown in FIG. 6A in its operational configuration in relation to the right support component 20A such that the right device half 10A can be coupled to the left device half 10B (not shown) and thereby used to perform a procedure in the patient’s cavity. Note the arrow 21 in FIG. 6A illustrating how the right support component 20A can rotate in relation to the right shoulder 14A. FIG. 6B, on the other hand, depicts the right device half 10A in its insertion configuration in which the right shoulder 14A has been rotated in relation to the right support component 20A, thereby making the device half 10A easier to insert through an orifice and into a patient’s cavity. In use, the device half 10A is “stepped through” the two configurations to ease insertion. First, the device half 10A is placed in the insertion configuration of FIG. 6B and inserted through the orifice. Subsequently, once the right arm 16 is positioned inside the patient’s cavity, the

right shoulder 14A can be rotated in relation to the right support component 20A to move the device half 10A into the operational configuration of FIG. 6A such that the device half 10A can be coupled to the other half 10B and subsequently be used to perform a procedure.

When the device half 10A is properly positioned in the patient’s cavity, the first support rod component 20A, which is coupled to the right shoulder 14A, is disposed through an orifice or any other kind of opening in the body cavity wall (shown as a dashed line in FIG. 7) such that the distal portion of the support rod component 20A coupled to the first shoulder 14A is disposed within the body cavity 30 while the proximal portion is disposed outside of the patient’s body and can be attached to an external component (not shown) so as to provide stability or fixed positioning for the device.

As discussed above, in this example, the two coupleable support rod components (such as 20A as shown in FIGS. 6A, 6B, and 7) can be positioned next to one another or coupled to each other form a cylindrical shape or a complete rod 20. In the example in FIG. 8, an overtube 60 can then be placed over the rod 20. As best shown in FIG. 9, this overtube 60 can be held in place with a threaded thumbscrew 61 and the entire rod 20 and overtube 60 assembly can then be inserted into the laparoscopic port 32. As best shown in FIG. 10, once assembled, other tools can then be inserted into the port such as a cannula for a suction/irrigation tube 34 as described above, a laparoscope 36 as described above, and/or other surgical instruments, and positioned through the port 32 via port openings 32A, 32B, 32C (as best shown in FIG. 9). These figures illustrate one example of how this assembly can be configured to accept a cannula for suction and irrigation or other component 33.

Alternatively, the device body 10 can be a single component that is coupled to both support rod components 20A, 20B, which are coupled to each other to form a full support rod 20.

Once assembled, an external device (not shown) can be used to stabilize the support component assembly. According to this implementation, the device 10 is maintained in a desired position or location within the body cavity of the patient using an external component that has a clamp that is removably attached to the support component 20. Alternatively, the external component can have any known attachment component that is capable of removably coupling to or attaching to support component.

As an example, the external component can be an iron intern (commercially available from Automated Medical Products Corp.) that includes several sections connected by joints that can be loosened and locked using knobs to allow the iron intern to be positioned in various orientations. The iron intern can be attached to rails on any standard surgical table or any other appropriate surface to provide support for device.

In use, according to one embodiment, the device 10 is positioned within the body cavity of the patient and the support component assembly 20 is positioned through a port 32 positioned in the hole or opening in the body cavity wall, as shown, for example, in FIG. 3. In one embodiment, the port 32 is a gel port through which the support component 20 can be disposed while still maintaining a fluidic seal that allows for the body cavity 30 of the patient to be inflated. Alternatively, any known port 32 that provides access for the support component 20 while maintaining a fluidic seal can be used. Also, any cables, electrical or otherwise, can be coupled to the device 10 via this port 32. In one embodiment, electrical cables pass through the support rod 20 or other support components.

FIG. 11 depicts one example of how a laparoscope 36 in one embodiment can be used in conjunction with the device 10 to provide visualization of the working space of the robotic assembly. More specifically, FIG. 11 shows how a “zero degree” laparoscope 36 can provide a large field of view (shown as cone 70) enabling the user to view the surgical environment. Other visualization means are also possible and these can either be separate from or attached to the robotic device 10. The visualization means can also enter through other orifices in the body cavity to be used independently or in conjunction with the robotic device 10.

FIGS. 12A-17 depict exemplary embodiments of how such a medical device can be mechanically and electrically constructed.

FIGS. 12A-12D show one design of a forearm 80 having a vessel sealing operational component or end effector 82. The vessel sealing device 82 may or may not include a cutting component and different types of cautery techniques. In this example, as best shown in FIGS. 12B and 12D, a first actuator 84 is coupled to the end effector 82 by spur gears 84A, a second actuator 86 is coupled to the end effector 82 by spur gears 86A, and a third actuator 88 is coupled to the end effector by spur gears 88A. These first, second and third actuators 84, 86, 88 provide rotation of the end effector 82 along the axis of the forearm 80 (axis DD as described in FIG. 2), opening and closing motion for the end effector 82, and can cause a cutting device (not shown) to translate through the end effector 82.

FIGS. 12A-17 also show various printed circuit boards 114A-114J used to power and control the actuators. Each actuator has one or more sensors to measure the position of the components for control. These can include, but are not limited to, optical encoders, mechanical encoders, or potentiometers. Each sensor can either measure relative or absolute position.

FIGS. 13A-13D depict another embodiment of a forearm 90 for a robotic medical device. This embodiment shows an interchangeable operational component 92, which, in this specific example, is a grasper 92 commonly called a Babcock grasper. These interchangeable operational components can be similar to the interchangeable tools called Microline made by the Pentax Company. In this embodiment, as best shown in FIGS. 13B and 13C, the interchangeable tools are held in place using a known tapered collect device 94 (commonly used in machine tools) to hold the operational component in place. Here, the operational component is inserted into a tapered collect 94 that is then tightened in place using a threaded nut and a tapered slot 96. In this example, as best shown in FIG. 13D, there are two actuators 97, 98 that actuate open and closing of the operating component and rotation of the operating component (about axis DD as described above) by way of corresponding spur gears 97A, 98A with respect to the forearm 90. In this design, as an example, the operational component can be electrified for either mono-polar or bipolar cautery.

FIG. 14 shows how a fuse clip 100, or similar sliding contact device, can be used to provide an electrical connection to one or more portions of the operational component (not shown) to provide electricity for cautery. For example, as shown in the figure, the fuse clip 100 is coupled to a shaft 102 which may spin or rotate, the fuse clip 100 acting to maintain electrical connectivity to the shaft 102 for supply to the operational component (not shown) for cautery without the use of wires that may tangle and bunch. FIG. 14 also shows a printed circuit board (PCB) 114 that contains electronics to power and control the actuators as described previously. More specifically, in this particular figure, the

PCB 114 is coupled to the actuator (not shown) such that it may control the electrification of the shaft 102 and ultimately the operational component (not shown).

FIGS. 15A-15D show one possible upper arm segment 16B embodiment. This segment 16B has two actuators 104, 106 that provide rotation of the forearm segment relative to the upper arm 16B and the upper arm 16B relative to the body 14, as described, for example, as axis CC and axis BB in FIG. 2B, respectively. In this design, the two actuators 104, 106 are operably coupled to bevel gears 104A, 106A by way of drive gears 104B, 106B to change the axis of rotation of the motors 104, 106 by ninety degrees and make the two axes of rotation (CC & BB) perpendicular to the axes of the segment 16B. Also shown are the sensors and electronics used to control the segment 16B as described above.

FIGS. 16A-16D show one possible device body segment 14A embodiment. Here, an actuator 110 is coupled to the output shaft 112 by bevel gears 113A, 113B such that the axis of actuator 110 rotation is approximately 30 degrees from the axis of rotation of the output shaft 112. Also shown are the sensors and electronics used to control the actuator 110 in the body segment 14A in a fashion similar to that described above.

FIGS. 17A and 17B depict one possible implementation of a device 10 having printed circuit boards 114A-J and connective electrical cables 116A-J that are contained and routed inside the device 10 to provide electrical power and control. More specifically, FIG. 17A depicts the cables 116A-116J and FIG. 17B depicts the PCBs 114A-114J. In this example, “service loops” are provided at each joint to allow for relative motion between the links while not placing the cables in excessive bending or tension (not shown). Alternatively, the circuit boards and cabling can be positioned outside the robot.

FIG. 18 shows a general schematic for one possible design of the electrical sub-system of a robotic device in accordance with one embodiment. The schematic shows an example of the electronics for a vessel sealing arm, such as, for example, the right arm 18 in the robot 10 depicted in FIGS. 2A and 2B. In this example as shown schematically in FIGS. 18-19, the connection cable 122 enters through the support rod 120. This cable 122 can contain conductors for electrical power and electrical signals and other wires of various forms as required for operation of the device 10. This cable 122 interfaces with the shoulder pitch PCB 124. This shoulder pitch PCB 124 supports both an optical encoder 126 and a magnetic encoder 128 for redundant measurement of rotation of the first shoulder joint 18A (around axis AA) as shown in FIGS. 2A and 2B. This PCB 124 provides power to the shoulder pitch motor 128 (for rotation around axis AA). It can also be seen that the cable 122 (via connectors J1 and J2) passes via a service loop 130 into the main joint 18B (described as the upper arm above). Here a “service loop” 130A, 130B, 130C, 130D, 130E is provided at each joint to allow for relative motion between the links while not placing the cables in excessive bending or tension.

The shoulder pitch PCB is also connected to the upper arm via a service loop 130B and connectors (J3 & J4). In the upper arm 18B there is an upper arm shoulder PCB 132 (for axis BB in FIG. 2B) and an upper arm elbow PCB 134 (for axis CC). This link also has internal connectors J5 & J6. All connectors generally aid and allow for assembly and repair. Both PCBs 132, 134 in this link power an actuator 136, 138 for each joint (axis BB & CC) as well as both optical 140, 142 and magnetic 144, 146 encoders to measure joint position. The sensors in this arm and throughout the robot

can be used redundantly and or individually or in combination. They can be either relative or absolute or in any combination. There are also connections from the upper arm to the lower arm via connectors listed as J7, J8, J18 & J19 and via service loops.

Here and throughout the robot service loops may or may not be required. The forearm contains three PCBs 150, 152, 154 to drive/control the gripper cutting device 154A, the gripper jaws 152A and the gripper roll 150A (axis DD). As before various sensors 156 and motors 150A, 152A, 154A are powered and used with the PCBs and various service loops 130C, 130D, 130E are used. As shown previously, the gripper can be electrified for cautery with one or more clips or connectors (or with a direct connection) that may or may not allow relative motion of the gripper jaws (axis DD). This example design shows a PCB for each joint. Alternatively a PCB could be used for each link, or each arm, or any combination of the above. The description above and shown in FIG. 21 is just one example of the electrical design that is possible.

FIG. 19 shows a general schematic for yet another possible design of the electrical sub system of the robotic device. The schematic in FIG. 19 shows an example of the electronics for an arm 18A, 18B, 18C with interchangeable tools, also referred to as the utility arm or left arm 18 in the design of FIGS. 2A-2B. In this example the electronics, PCBs, connectors, and service loops are similar to those described in reference to FIG. 18, but this arm does not have a cutting device and hence does not have an actuator and supporting mechanical and electrical components. Again, as shown previously, the gripper 160 can be electrified for cautery with one or more clips or connectors (or with a direct connection) that may or may not allow relative motion of the gripper jaws (axis DD in FIGS. 2A-2B).

Again, in this version both operating components (vessel sealing and interchangeable Babcock grasper) can be electrified for cautery. In general any and combination of the operating components can be electrified with either no cautery, mono-polar cautery, bi-polar cautery, or other surgical treatment technique.

The robotic surgical device described here can be either single use and be designed to be disposed of after its use, or can be made so it can be re-used and sterilized between uses. In one embodiment, to ease cleaning of the device between uses, a protective sleeve is disclosed here that covers the majority of the outer surfaces of the robotic device.

According to one embodiment, shown in FIGS. 20A-20B, a dip mold pattern 200 (best shown in FIG. 20B) is created with a shape and size that is similar to the robotic arm 202 (best shown in FIG. 20A) (also called a utility arm or ligature arm or other arm, for example 16, 18 in FIGS. 2A-2B) for which a protective sleeve is needed. The dip mold pattern 200 is designed in such a way as to be thicker and larger than the arm 202 in specific areas, such as, for example, around the joints 201A-D. This larger size will result in a protective sleeve 200 that is larger in these areas so it will provide slack for the robotic arm 202 to articulate.

Also, according to one embodiment, FIG. 20A shows how features 204A, 204B (or "grooves") are designed into the robotic device 202. In this embodiment, one groove 204A is at the proximal end of the robotic arm 202 and a second 204B is at the distal end of the arm 202. These grooves 204A, 204B are designed so the protective sleeve 200 will form a tight seal and mechanical connection with the robotic arm 202 to make the arm fluidically sealed.

In another embodiment, a mold, grooves, and sleeve could be created at each the proximal and distal ends of the

joints so smaller protective sleeves would be created that would only cover the joint areas. Other combinations are also possible. For example one sleeve could cover two proximal joints and a second sleeve could cover a distal joint.

In use according to one embodiment as shown in FIGS. 21A and 21B, the dip mold pattern 200 can be placed into a vat 210 of dip mold material 212. In one embodiment, this mold material 212 could be a latex or similar material. The pattern can then be removed from the vat 210 and the mold material 212 is then cured in a heated oven 213. The process can be repeated to create multiple layers and thereby a thicker sleeve.

When the mold material is cured, according to one embodiment and shown in FIGS. 22A and 22B, the resulting protective sleeve 214 can be trimmed at each end and then the ends can be rolled 216A, 216B. Rolling the ends creates "beads" at both the proximal 216A and distal 216B ends of the protective sleeve. These "beads" 216A, 216B are designed to fit in the grooves 204A, 204B or other external features or contours (shown as an example in FIG. 20) on the robotic device. The sleeve 214 is then removed from the dip mold 200 and placed onto the robotic arm 202. It can be seen how the protective sleeve 214 now covers and protects most or all of the robotic arm 202 (including the moving joints) from fluid ingress during surgery.

While multiple embodiments are disclosed, still other embodiments of the present invention will become apparent to those skilled in the art from the following detailed description, which shows and describes illustrative embodiments of the invention. As will be realized, the invention is capable of modifications in various obvious aspects, all without departing from the spirit and scope of the present invention. Accordingly, the drawings and detailed description are to be regarded as illustrative in nature and not restrictive.

Although the present invention has been described with reference to preferred embodiments, persons skilled in the art will recognize that changes may be made in form and detail without departing from the spirit and scope of the invention.

We claim:

- I. A surgical robotic system, comprising:
 - a. a robotic device sized to be positioned completely within a patient comprising:
 - i. a body component comprising a first shoulder component housing a first shoulder motor and a second shoulder component housing a second shoulder motor;
 - ii. a first movable segmented robotic arm operationally connected to the body component by way of the first shoulder component, the first movable segmented robotic arm comprising:
 - A. an upper first arm segment comprising at least one actuator configured to move the upper first arm segment;
 - B. a lower first arm segment comprising at least one actuator configured to move the lower first arm segment; and
 - C. a first operational component, wherein the first shoulder motor is configured to rotate the first movable segmented robotic arm relative to the body component;
 - iii. a second movable segmented robotic arm operationally connected to the body component by way of the second shoulder component, the second movable segmented robotic arm comprising:

13

- A. an upper second arm segment comprising at least one actuator configured to move the upper second arm segment;
- B. a lower second arm segment comprising at least one actuator configured to move the lower second arm segment; and
- C. a second operational component, wherein the second shoulder motor is configured to rotate the second movable segmented robotic arm relative to the body component;
- b. a port configured to traverse the body of the patient, the port being configured to create an insufflation seal in the body;
- c. a support rod for crossing the port from the interior to exterior of the patient and connecting to the body component; and
- d. an operations system for control of the robotic device from outside the patient by way of the port and support rod, the operations system in electrical communication with the robotic device.
2. The surgical robotic system of claim 1, wherein the first shoulder component and second shoulder component are coupleable such that the body component may be assembled within the body cavity of the patient.
3. The surgical robotic system of claim 2, wherein the support rod comprises a first support rod segment and a second support rod segment.
4. The surgical robotic system of claim 3, wherein the first support rod segment and second support rod segment are rotationally coupled to the first shoulder component and second shoulder component, respectively.
5. The surgical robotic system of claim 4, wherein the support rod is substantially enclosed in an overtube.
6. The surgical robotic system of claim 2, wherein the body component is cylindrical.
7. The surgical robotic system of claim 1, wherein the first shoulder component and second shoulder component are set at an obtuse angle from one another.
8. The surgical robotic system of claim 1, wherein the first operational component is chosen from a group consisting of a grasping component, a cauterizing component, a suturing component, an imaging component, an operational arm component, a sensor component, and a lighting component.
9. The surgical robotic system of claim 1, wherein the second operational component is chosen from a group consisting of a grasping component, a cauterizing component, a suturing component, an imaging component, an operational arm component, a sensor component, and a lighting component.
10. The surgical robotic system of claim 1, wherein the robotic device further comprises at least one printed circuit board and at least one connective electrical cable, wherein the at least one printed circuit board and at least one cable are disposed within the robotic device and configured to provide electrical power and control to the robotic device.
11. The surgical robotic system of claim 1, wherein the robotic device further comprises at least one position sensor.
12. A surgical robotic system, comprising:
- a robotic device sized to be positioned completely within a patient comprising:
 - a first shoulder component housing a first shoulder motor;
 - a second shoulder component housing a second shoulder motor;
 - a body component, formed by a connection of the first shoulder component to the second shoulder component;

14

- iv. a support rod comprising:
- a first support rod component rotationally coupled to the first shoulder component; and
 - a second support rod component rotationally coupled to the second shoulder component, wherein the first support rod component and second support rod component are configured to be joined after insertion into the patient;
- iv. an overtube capable of enclosing the support rod;
- v. a first movable segmented robotic arm operationally connected to the body component by way of the first shoulder component, the first movable segmented robotic arm comprising:
- an upper first arm segment comprising at least one motor configured to move the upper first arm segment; and
 - a lower first arm segment comprising at least one motor configured to move the lower first arm segment, wherein the first shoulder motor is configured to rotate the first movable segmented robotic arm relative to the body component;
- vi. a second movable segmented robotic arm operationally connected to the body component by way of the second shoulder component, the second movable segmented robotic arm comprising:
- an upper second arm segment comprising at least one motor configured to move the upper second arm segment; and
 - a lower second arm segment comprising at least one motor configured to move the lower second arm segment, wherein the second shoulder motor is configured to rotate the second movable segmented robotic arm relative to the body component;
- vii. a first operational component operationally connected to the first movable segmented robotic arm; and
- viii. a second operational component operationally connected to the second movable segmented robotic arm;
- b. a port configured to traverse the body of a patient, the port being configured to create an insufflation seal in the body; and
- c. an operations system for control of the robotic device from outside the patient by way of the port and support rod, the operations system in electrical communication with the robotic device.
13. The surgical robotic system of claim 12, wherein the robotic device may be assembled within the body cavity of the patient.
14. The surgical robotic system of claim 12, wherein the body component is cylindrical.
15. The surgical robotic system of claim 12, wherein the first shoulder component and second shoulder component are set at an obtuse angle from one another.
16. The surgical robotic system of claim 12, wherein the first operational component is chosen from a group consisting of a grasping component, a cauterizing component, a suturing component, an imaging component, an operational arm component, a sensor component, and a lighting component.
17. The surgical robotic system of claim 12, wherein the second operational component is chosen from a group consisting of a grasping component, a cauterizing compo-

15

ment, a suturing component, an imaging component, an operational arm component, a sensor component, and a lighting component.

18. The surgical robotic system of claim 12, further comprising one or more motors disposed within the device and configured for the operation, rotation or movement of at least one of the first shoulder component, the second shoulder component, the first movable segmented arm, the second movable segmented arm, the first operational component, and the second operational component.

19. A surgical robotic system, comprising:

- a. a robotic device sized to be positioned completely within a patient comprising:
 - i. a body component comprising:
 - A. a first shoulder component housing a first shoulder motor; and
 - B. a second shoulder component housing a second shoulder motor;
 - ii. a first movable segmented robotic arm operationally connected to the first shoulder component, the first movable segmented robotic arm comprising:
 - A. an upper first arm segment comprising at least one motor configured to move the upper first arm segment relative to the body component;
 - B. a lower first arm segment; and
 - C. a first arm operational component,

16

wherein the first shoulder motor is configured to rotate the first movable segmented robotic arm relative to the body component;

- iii. a second movable segmented robotic arm operationally connected to the body component by way of the second shoulder component, the second movable segmented robotic arm comprising:
 - A. an upper second arm segment comprising at least one motor configured to move the upper second arm segment relative to the body component;
 - B. a lower second arm segment; and
 - C. a second operational component, wherein the second shoulder motor is configured to rotate the second movable segmented robotic arm relative to the body component;
- b. a port configured to traverse the body of the patient, the port being configured to create an insufflation seal in the body;
- c. a support rod for crossing the port from the interior to exterior of the patient and connecting to the body component; and
- d. an operations system for control of the robotic device from outside the patient, the operations system in electrical communication with the robotic device.

* * * * *