



Article

Improved Voltage Unbalance and Harmonics Compensation Control Strategy for an Isolated Microgrid

Mohammad Jafar Hadidian Moghaddam ¹, Akhtar Kalam ^{1,*} , Mohammad Reza Miveh ^{2,*}, Amirreza Naderipour ³, Foad H. Gandoman ^{4,5} , Ali Asghar Ghadimi ⁶ and Zulkurnain Abdul-Malek ³

¹ College of Engineering and Science, Victoria University, Melbourne 3047, Australia; mohammad.hadidianmoghaddam@live.vu.edu.au

² Department of Electrical Engineering, Tafresh University, Tafresh 39518-79611, Iran

³ Institute of High Voltage & High Current Faculty of Electrical Engineering Universiti Teknologi Malaysia, Johor 81300, Malaysia; namirreza@utm.my (A.N.); zulkurnain@utm.my (Z.A.-M.)

⁴ Research Group MOBI—Mobility, Logistics, and Automotive Technology Research Center, Vrije Universiteit Brussel, Pleinlaan 2, 1050 Brussels, Belgium; Foad.Heidari.Gandoman@vub.be

⁵ Flanders Make, 3001 Heverlee, Belgium

⁶ Electrical Engineering Department, Faculty of Engineering, Arak University, Arak 3815688349, Iran; a-ghadimi@araku.ac.ir

* Correspondence: akhtar.kalam@vu.edu.au (A.K.); miveh@tafresh.ac.ir (M.R.M.)

Received: 9 September 2018; Accepted: 7 October 2018; Published: 9 October 2018



Abstract: This paper suggests an enhanced control scheme for a four-leg battery energy storage systems (BESS) under unbalanced and nonlinear load conditions operating in the isolated microgrid. Simplicity, tiny steady-state error, fast transient response, and low total harmonic distortion (THD) are the main advantages of the method. Firstly, a new decoupled per-phase model for the three-phase four-leg inverter is presented. It can eliminate the effect of power stage coupling on control design; thus, the three-phase four-leg power inverter can be viewed as three single input single output (SISO) control systems. Then, using an improved orthogonal signal generation method, the per-phase model of the four-leg inverter in the stationary and synchronous frame is derived. As the second step, a per-phase multi-loop control scheme for the four-leg inverter under unbalanced load conditions is suggested. The proposed control strategy has the ability to provide balanced output voltages under unbalanced load conditions by avoiding the need to deal with the symmetrical components. Finally, a multi-resonant harmonic compensator is used to actively prevent low-order harmonic currents to distort the output voltages of the three-phase four-leg grid-forming power converter. Simulations results are also presented to verify the performance of the suggested control strategy.

Keywords: voltage unbalance; harmonics compensation; control strategy; battery energy storage systems

1. Introduction

The isolated microgrids can be defined as a group of dispersed generators, communication systems, protection devices, sensitive loads, distributed energy storage systems (DESSs) and power electronic interfaces connected through a relatively small grid and isolated from the main grid [1–4]. The distributed generations (DGs) and DESSs such as batteries and wind turbines must be equipped with power electronic interfaces to provide the required flexibility for isolated microgrids [5–7]. Depending on the characteristics of the primary energy source and the role assigned to the DGs/DESSs, the inverter-based distributed energy resource (DER) can be operated either as grid-forming or grid-feeding units.

In grid-forming control mode, the inverter is responsible for regulating the output voltage and frequency of DER in the isolated mode [8]. In this strategy, the DER acts as a voltage source converters (VSCs). This DER is called the grid-forming unit, because it is responsible for forming the microgrid bus voltage in the isolated mode. In contrast, the main aim of the primary controller, in grid-feeding mode, is to adjust the active and reactive power of DERs at certain references [9]. This strategy assumes that the microgrid is formed by another grid-forming unit or units, and the grid-feeding unit is designed to deliver the desired active and reactive power to this energized grid.

Nowadays, electrical and energy engineers face a new scenario in which inverter-based DERs are integrated into three-phase 4-wire isolated microgrids to supply electrical loads to small communities, such as a housing estate or an industrial site [10]. A three-phase 4-wire isolated microgrid may naturally be subjected to major degrees of imbalance because of the presence of single-phase loads and/or distributed generations (DGs) units. Voltage unbalance has negative effects on equipment like malfunction of protection devices and losses in machines [11]. According to the IEEE Standard 1159–2009 and ANSI/IEEE Standard 141, 1993, the phase voltage unbalanced rate (PVUR) must be maintained below 2% for sensitive loads [12,13]. Additionally, nonlinear loads often result in numerous power quality challenges for three-phase four-wire microgrids. According to the IEEE Standard 519–1992, the voltage total harmonic distortion (THD) must be maintained below 5% for sensitive loads [14]. A considerable amount of literature has been published to deal with unbalanced and nonlinear load circumstances in isolated microgrids [5,15–17]. A conventional solution would be to use power conditioning equipment, such as active power filters (APFs). However, it is uneconomical to install extra power conditioning equipment with a complex control algorithm for each of the DGs in the isolated mode.

Another solution is to use grid-forming power converters. This means that along with transferring power and controlling the islanding mode, the grid-forming unit provides unbalanced suppression. The issue of providing balanced output voltages under unbalanced load conditions in a 4-wire network using grid-forming power converters is first investigated for uninterruptible power supply (UPS) and hybrid power system (HPS) applications [18,19]. Several control methods including the hysteresis control [20], repetitive feedback controller [21], the finite control set model predictive control [22–24], sliding mode control (SMC) [25], proportional resonant (PR) controllers [26], proportional integral (PI) controller based on symmetrical components calculators (SCCs) [27–29], have been suggested in the literature to improve the power quality of three-phase 4-wire isolated microgrids, UPSs, and HPSs under unbalanced and nonlinear load conditions.

A repetitive controller was used as a harmonic compensator and voltage controller. It shows a robust performance for periodic disturbances and ensures a zero steady-state error at all harmonic frequencies. For the repetitive controller; however, it is not easy to stabilize for all unknown load disturbances and cannot obtain a very fast response for the fluctuating load. Hence, it can cause a slow dynamic response and is applied only in static mode. The hysteresis controller is very simple, robust and its implementation does not require complex circuits. The major drawback of hysteresis controller is the frequency of switching variable with changes in parameters loads and operating conditions, which can cause resonance problems. Moreover, the switching losses restrict the application of hysteresis control to lower power levels. PR controllers ensure a zero steady-state error by having significant gains, but sensitivity to phase shift of voltage and current sensors and sensitivity to frequency variation are the major disadvantages of this regulator. The predictive control needs a precise model of the filter to reach the desired performance. This method also needs a lot of calculations. The problem of the chattering phenomenon in discrete implementation is the major drawback of the sliding mode controller. Moreover, it has a slow transient response (>3 line cycles) and needs a lot of calculations. Overall, the above-mentioned control techniques often suffer from slow transient response, coupling between phases, complex control algorithm, and unsatisfactory steady-state voltage tracking error. Therefore, it is important to propose an improved control scheme for a grid-forming power converter operating in an isolated microgrids to provide balanced output

voltages under unbalanced load conditions with a fast transient response, zero steady-state error without any sensitivity to frequency variations and low THD under nonlinear load conditions.

An enhanced control strategy for a four-leg battery energy storage systems (BESS) operating in 4-wire isolated microgrid is suggested in this study. The average large signal model of the four-leg inverter in the abc reference frame is derived at first. Next, in order to independently control each phase of the four-leg grid-forming unit, a new decoupled per-phase model is presented. The proposed model can eliminate the effect of power stage coupling on control design. The next part focuses on proposing a multi-loop control scheme for grid-forming BESS operating in an isolated microgrid under unbalanced load conditions. This control strategy is proposed using the per-phase modeling of the four-leg VSC in the stationary and rotating reference frames. A multi-resonant harmonic controller is also used to actively prevent low-order harmonic currents to distort the output voltages. The paper is organized as follows: describes the modeling of a four-leg inverter. Per-phase voltage control strategy is presented in Section 3. The harmonic compensator is presented in Section 4. The results and discussion are presented in Section 5. Section 6 provides the conclusions.

2. Modeling of the Four-Leg Inverter

The four-leg inverter can be obtained by adding an additional fourth leg to the conventional three-legged switching network. The power stage of a three-phase four-leg VSC with a neutral inductor (L_n) is shown in Figure 1. The LC filter parameter design and related calculations are given in [30]. The modeling of the four-leg inverter has been discussed widely in the literature [31]. However, most studies in this field have modeled the four-leg inverter by neglecting the coupling of the power stage on control design, which results in an unsatisfactory dynamic response. In this study, the average large signal model of a four-leg inverter in the abc reference frame is derived at first, and then the state-space model of the system is realized. Subsequently, a new decoupled per-phase model for the four-leg inverter is presented. It can be eliminated by the effect of power stage coupling on control design; consequently, the four-leg power inverter can be viewed as three single input single output (SISO) control systems.

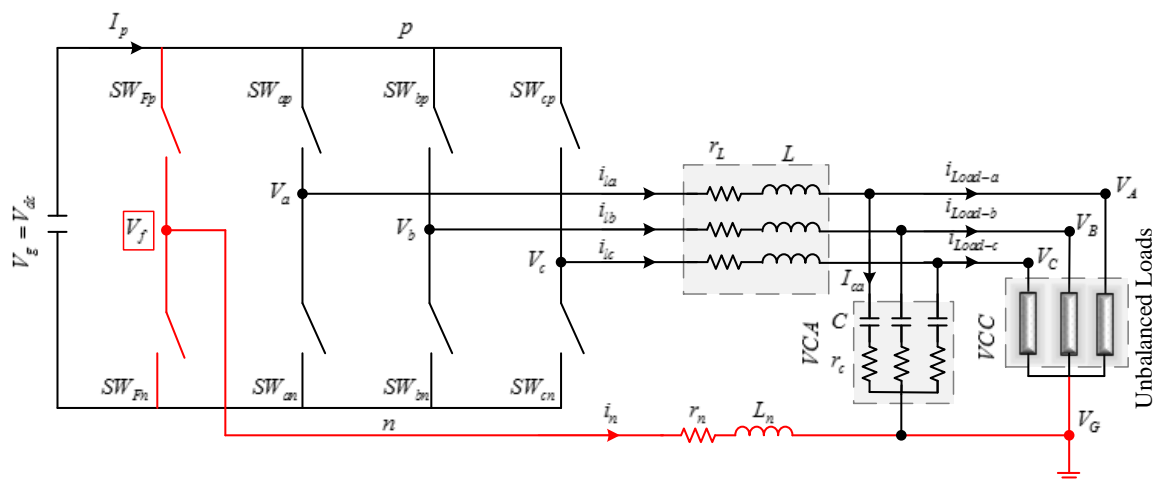


Figure 1. Power stage of a three-phase four-leg voltage source inverter.

2.1. Average Large Signal Model of the Four-Leg Inverter

The need for long-time simulation and several switches can result in the non-linear behavior of the four-leg inverter. Since the switching study is out of the scope of this research, the average large

signal model of the four-leg inverter is derived as depicted in Figure 2. To describe the operation of the four-leg inverter, a switching function can be defined as:

$$S_{jf} = \begin{cases} 1 & \text{If } S_{jp} \text{ and } S_{fn} \text{ are closed} \\ 0 & \text{If } S_{jp} \text{ and } S_{fp} \text{ or } S_{jn} \text{ and } S_{fn} \text{ are closed, } j = \{a, b, c\} \\ -1 & \text{If } S_{jn} \text{ and } S_{fp} \text{ are closed} \end{cases} \quad (1)$$

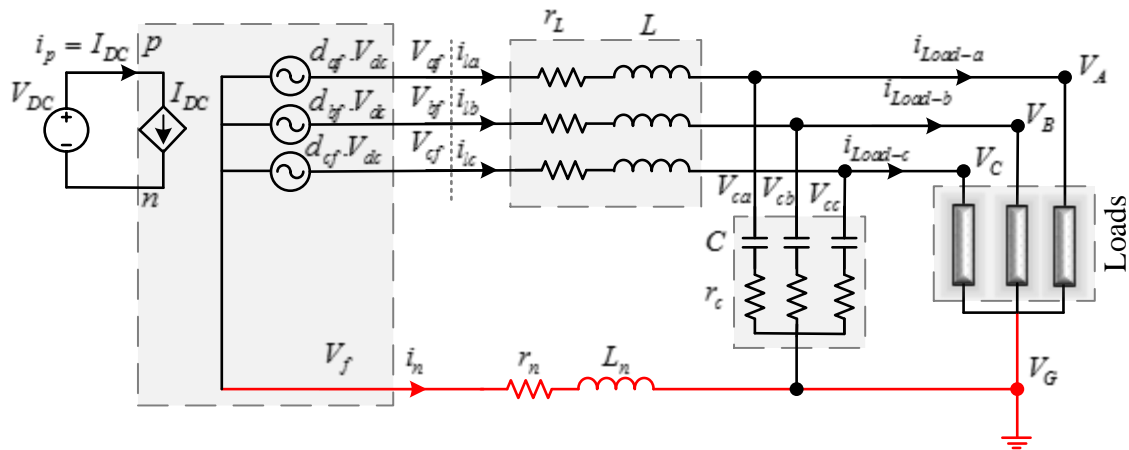


Figure 2. Average large-signal model of the four-leg inverter.

Using the AC voltage terminals and by neglecting the inherent resistance of the capacitors, the voltage and current equations of the average model in the *abc* reference frame can be written as:

$$\begin{cases} \begin{bmatrix} v_{af} \\ v_{bf} \\ v_{cf} \end{bmatrix} = \begin{bmatrix} v_{AG} \\ v_{BG} \\ v_{CG} \end{bmatrix} + r_L \begin{bmatrix} i_{la} \\ i_{lb} \\ i_{lc} \end{bmatrix} + L \frac{d}{dt} \begin{bmatrix} i_{la} \\ i_{lb} \\ i_{lc} \end{bmatrix} - r_n \begin{bmatrix} i_n \\ i_n \\ i_n \end{bmatrix} - L_n \frac{d}{dt} \begin{bmatrix} i_n \\ i_n \\ i_n \end{bmatrix} \\ C \frac{d}{dt} \begin{bmatrix} v_{CA} \\ v_{CB} \\ v_{CC} \end{bmatrix} = \begin{bmatrix} i_{la} \\ i_{lb} \\ i_{lc} \end{bmatrix} - \begin{bmatrix} i_{load-a} \\ i_{load-b} \\ i_{load-c} \end{bmatrix} \end{cases} \quad (2)$$

where i_{la} , i_{lb} and i_{lc} are the output currents, i_{load-a} , i_{load-b} and i_{load-c} are the load currents, v_{AG} , v_{BG} and v_{CG} are the output voltages, and i_n is the neutral current.

The four-leg system is a six-order multi-input-multi-output (MIMO) system, including a total of six state variables (inductor currents and capacitor voltages of the LC filter), three line-to-duty ratios as inputs and three output AC voltages. Thus, it is difficult to control such complex six-order system. To cope with this problem, three channels in four-leg power converter should be completely decoupled to be viewed as three SISO control systems. The power stage of the four-leg inverter can be modelled according to the principles of the per-phase basis so that only a single-phase representation of the inverter is used for the analysis and design. However, due to the presence of an unlike coupling among three channels, the control of this type of inverter is very complicated. In the following, a new decoupled per-phase model for the four-leg power converter using an output voltage feedback path in each phase is presented.

2.2. Decoupled Per-Phase Model of the Four-Leg Inverter

In this subsection, a new decoupled per-phase model for the four-leg inverter is presented. The four-leg system has six state variables, including three inductor currents and three output voltage

capacitors. It also contains three line-to-duty ratios as inputs and three output voltages. By considering the load currents as disturbances, the state-space equation of the system can be obtained as follows:

$$\begin{cases} \dot{X} = AX + BU + EW \\ Y = CX + DU + FW \end{cases} \quad (3)$$

where $X = [i_{la} \ V_{CA} \ i_{lb} \ V_{CB} \ i_{lc} \ V_{CC}]^T$ is the state variable vector, $U = [V_{af} \ V_{bf} \ V_{cf}]^T$ is the control input variable vector, $W = [i_{load-a} \ i_{load-b} \ i_{load-c}]^T$ is load currents as the disturbance, and $Y = [V_{AG} \ V_{BG} \ V_{CG}]^T$ is the output of the system.

Assume that $L_n = L/2$ and $r_n = r_C = r_L = R$, other matrixes in the state-space equations can be written as:

$$A = \begin{bmatrix} -2R/L & -4/5L & 0 & 1/5L & 0 & 1/5L \\ 1/C & 0 & 0 & 0 & 0 & 0 \\ 0 & 1/5L & -2R/L & -4/5L & 0 & 1/5L \\ 0 & 0 & 1/C & 0 & 0 & 0 \\ 0 & 1/5L & 0 & 1/5L & -2R/L & -4/5L \\ 0 & 0 & 0 & 0 & 1/C & 0 \end{bmatrix}$$

$$B = \begin{bmatrix} 4/5L & -1/5L & -1/5L \\ 0 & 0 & 0 \\ -1/5L & 4/5L & -1/5L \\ 0 & 0 & 0 \\ -1/5L & -1/5L & 4/5L \\ 0 & 0 & 0 \end{bmatrix}$$

$$E = \begin{bmatrix} 4R/5L & -R/5L & -R/5L \\ -1/C & 0 & 0 \\ -R/5L & 4R/5L & -R/5L \\ 0 & -1/C & 0 \\ -R/5L & -R/5L & 4R/5L \\ 0 & 0 & -1/C \end{bmatrix}$$

$$C = \begin{bmatrix} R & 1 & 0 & 0 & 0 & 0 \\ 0 & 0 & R & 1 & 0 & 0 \\ 1 & 1 & 1 & 1 & R & 1 \end{bmatrix}$$

$$F = \begin{bmatrix} -R & 0 & 0 \\ 0 & -R & 0 \\ 0 & 0 & -R \end{bmatrix}$$

The state-space equation for phase 'a' can be rewritten as:

$$\begin{bmatrix} \dot{i}_L \\ \dot{V}_C \end{bmatrix} = \begin{bmatrix} -2R/L & -4/5L & 0 & 1/5L & 0 & 1/5L \\ 1/C & 0 & 0 & 0 & 0 & 0 \end{bmatrix} \begin{bmatrix} i_{la} \\ V_{CA} \\ i_{lb} \\ V_{CB} \\ i_{lc} \\ V_{CC} \end{bmatrix} + \begin{bmatrix} 4/5L & -1/5L & -1/5L \\ 0 & 0 & 0 \end{bmatrix} \begin{bmatrix} V_{af} \\ V_{bf} \\ V_{cf} \end{bmatrix} + \begin{bmatrix} 4R/5L & -R/5L & -R/5L \\ -1/C & 0 & 0 \end{bmatrix} \begin{bmatrix} i_{load-a} \\ i_{load-b} \\ i_{load-c} \end{bmatrix} \quad (4)$$

As can be seen, in order to decouple the phase 'a' from the other channels, the coefficients of V_{CB} and V_{CC} must be zero. Assuming the input variables are:

$$\begin{bmatrix} V_{af} \\ V_{bf} \\ V_{cf} \end{bmatrix} = \begin{bmatrix} V_{af}^* + k_1 \times V_{CB} + k_2 \times V_{CC} \\ V_{bf}^* + k_3 \times V_{CA} + k_4 \times V_{CC} \\ V_{cf}^* + k_5 \times V_{CA} + k_6 \times V_{CB} \end{bmatrix} \quad (5)$$

where V_{CA} , V_{CB} and V_{CC} are the output voltage feedback paths, which can be added to the control scheme. $K_i (i = 1, 2, 3, \dots, 6)$ is an unknown variable, which must be determined for decoupling purpose. V_{af}^* , V_{bf}^* and V_{cf}^* are also the control input variables.

By rewriting the state-space equations for the other phases and substituting (5) into the state-space equations for three subsystems, six equations with six unknown components can be obtained as:

$$\begin{cases} 4k_1 - k_6 + 1 = 0 \\ 4k_2 - k_4 + 1 = 0 \\ 4k_3 - k_5 + 1 = 0 \\ 4k_4 - k_2 + 1 = 0 \\ 4k_5 - k_3 + 1 = 0 \\ 4k_6 - k_1 + 1 = 0 \end{cases} \quad (6)$$

This equation has a unique solution as follow:

$$k_1 = k_2 = k_3 = k_4 = k_5 = k_6 = -1/3$$

$$k_1 = k_2 = k_3 = k_4 = k_5 = k_6 = -1/3.$$

By considering the input variables as: $U = \begin{bmatrix} V_{af}^* & V_{bf}^* & V_{cf}^* \end{bmatrix}$, the matrixes in the state-space equation can be rewritten as:

$$A = \begin{bmatrix} -2R/L & -2/3L & 0 & 0 & 0 & 0 \\ 1/C & 0 & 0 & 0 & 0 & 0 \\ 0 & 0 & -2R/L & -2/3L & 0 & 0 \\ 0 & 0 & 1/C & 0 & 0 & 0 \\ 0 & 0 & 0 & 0 & -2R/L & -2/3L \\ 0 & 0 & 0 & 0 & 1/C & 0 \end{bmatrix}$$

$$B = \begin{bmatrix} 4/5L & -1/5L & -1/5L \\ 0 & 0 & 0 \\ -1/5L & 4/5L & -1/5L \\ 0 & 0 & 0 \\ -1/5L & -1/5L & 4/5L \\ 0 & 0 & 0 \end{bmatrix}$$

$$E = \begin{bmatrix} 4R/5L & -R/5L & -R/5L \\ -1/C & 0 & 0 \\ -R/5L & 4R/5L & -R/5L \\ 0 & -1/C & 0 \\ -R/5L & -R/5L & 4R/5L \\ 0 & 0 & -1/C \end{bmatrix}$$

As can be observed, the four-leg inverter is partitioned into three single-phase subsystems. By neglecting the inherent resistance of capacitors, the state-space equation of each subsystem can be described as:

$$\begin{bmatrix} \dot{i}_L \\ \dot{V}_C \end{bmatrix} = \begin{bmatrix} \frac{-(3R)}{3L/2} & \frac{-1}{3L/2} \\ \frac{1}{C} & 0 \end{bmatrix} \times \begin{bmatrix} i_l \\ V_C \end{bmatrix} + \frac{1}{3L/2} \times V_i + \begin{bmatrix} 0 \\ -1/C \end{bmatrix} \times i_{load} \quad (7)$$

where i_l and V_C are the inductance current and capacitor voltage in each phase, respectively. V_i and i_{load} are the input voltage and load current of each phase, respectively.

The state-space equation of each subsystem describes the model of a single-phase inverter with the filter parameters as depicted in Figure 3. Therefore, the four-leg power inverter can be viewed as three SISO control systems. The voltage decoupling feedback path can be added to the control strategy in each phase to simplify the system modeling and design. The decoupled model of the four-leg inverter using the voltage decoupling feedback paths is depicted in Figure 4. It can be seen, each subsystem can be controlled independently using various controllers in different reference frames. In the following subsection, the per-phase control of the four-leg inverter in the rotating frame is presented.

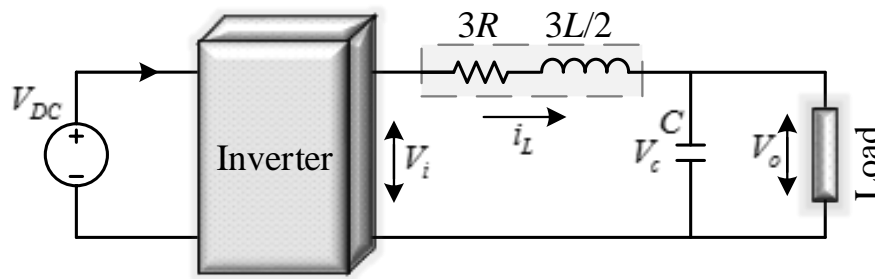


Figure 3. Per-phase representation of the four-leg inverter.

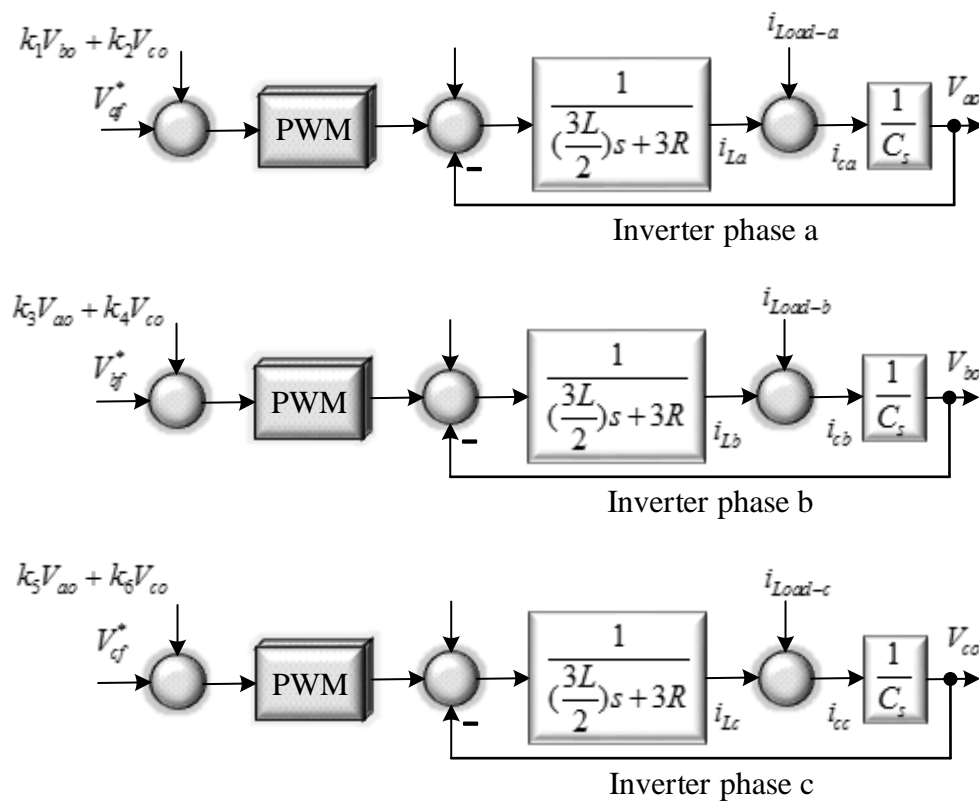


Figure 4. Decoupled model of the four-leg pulse width modulation inverter.

3. Suggested Per-Phase Voltage Control Strategy in the Rotating Frame

In the current research progress for the area of electrical power engineering, the control of four-leg power converters using symmetrical components in the rotating frame under unbalanced load conditions is a well-developed research topic. Despite the maturity, little attention has been given to the per-phase control of the four-leg inverter under unbalanced load circumstances. The main reason lies in the fact that the per-phase control of the four-leg inverter in the dq frame needs to create a virtual two-phase system in each subsystem to deal with the transformation from the stationary to the rotating frame.

The Park transformation is a 2-2 transform that requires at least two independent phases in the stationary reference frame to convert components to the dq frame. However, the per-phase control of the four-leg inverter is not directly applicable in the dq frame due to the existence of only one phase in each subsystem. Indeed, the per-phase dq control of a four-leg power converter requires at least two independent phases in each subsystem to cope with the transformation between stationary and rotating frames. This challenge can be handled using an orthogonal imaginary component in each phase, which provides the second phase essential in each subsystem for the Park transformation.

Since there exists only one available phase in each subsystem of the four-leg power converter, the transformation from the stationary to the rotating frame cannot be used easily for per-phase dq control, unless a second orthogonal phase is created for each subsystem. Several orthogonal signal generation methods have been proposed in the literature [32]. However, complexity, inaccurate dynamic performance, sensitivity to parameter changes and inability to operate with variable grid frequencies are the main drawbacks of these techniques. To cope with these disadvantages, the orthogonal signal is generated based on the reference values of voltages in the d and q -axes. It can be implemented easily and provides high dynamic response. The structure of the employed orthogonal signal generation technique is demonstrated in Figure 5. As seen, the orthogonal components can be obtained as:

$$V_{\beta} = -B \cos(\psi + \gamma) \quad (8)$$

where V_d^* and V_q^* are the reference values of voltages in the dq frame, $B = \sqrt{V_d^{*2} + V_q^{*2}}$, $\gamma = \tan^{-1}(\frac{V_q^*}{V_d^*})$, θ is the phase angle of the grid and ψ is the angle of the $\alpha\beta/dq$ transformation, which is equal to θ in the steady-state.

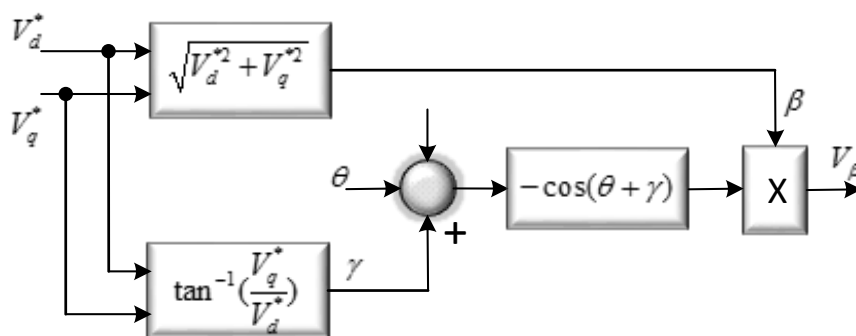


Figure 5. Structure of the employed orthogonal signal generator.

The control scheme for the four-leg grid-forming unit is implemented using a double feedback loop control scheme in each phase. The structure of the suggested per-phase control scheme in three independent channels is presented in Figure 6. The control system block diagram shows:

- The four-leg inverter is partitioned into three single-phase subsystems using the proposed decoupled per-phase model. There exists an independent cascaded current-voltage controller in each subsystem that provides relevant phase control signals.
- The inner current control loop uses the filter capacitor current as a feedback signal.

- The inner current control loop is implemented in the stationary reference frame using a proportional controller.
- The outer voltage control loop uses the load voltage as a feedback signal.
- The outer voltage loop is implemented in the rotating frame using the PI controller.

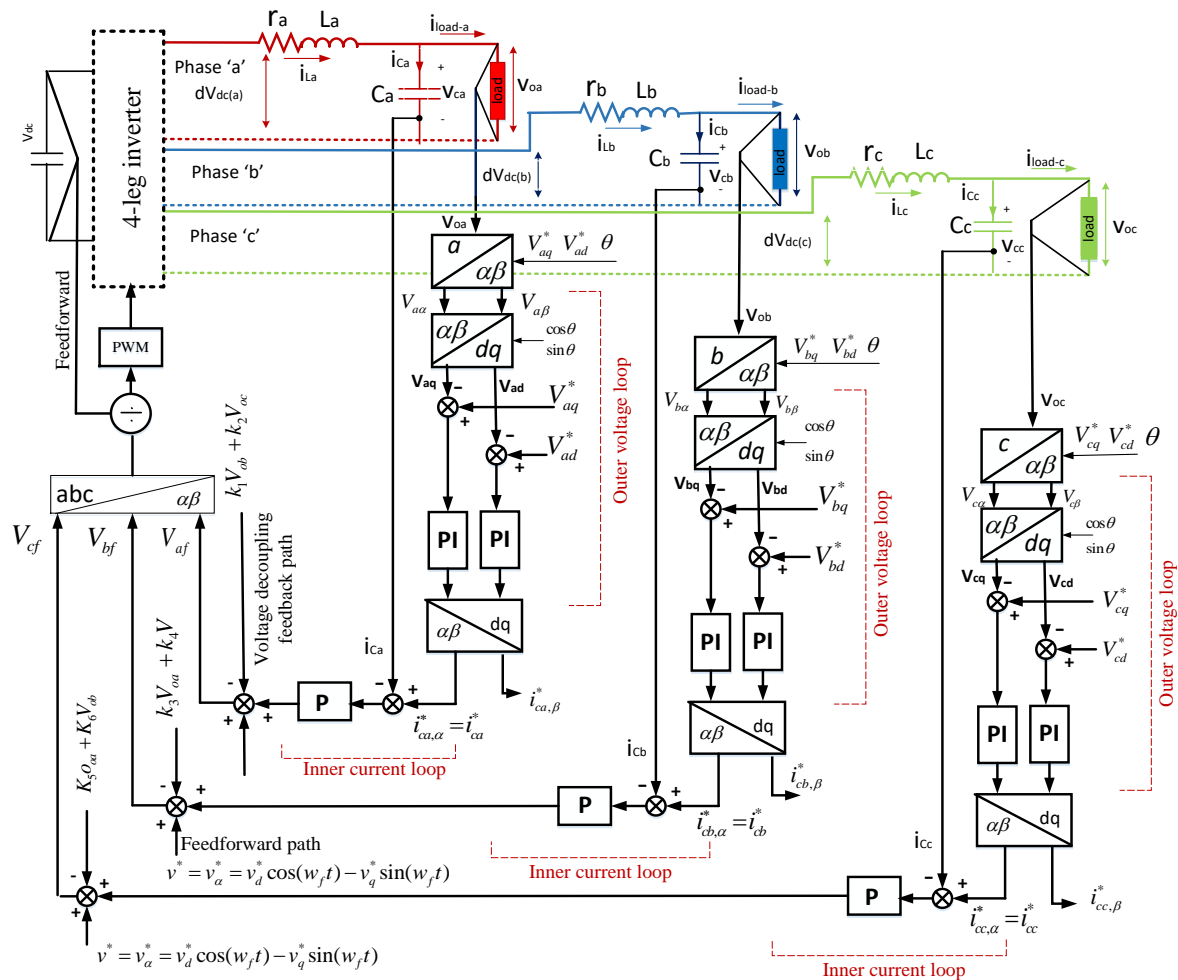


Figure 6. Proposed multi-loop voltage and current control strategy.

As seen in Figure 6, the output voltage in each phase (V_{oa} , V_{ob} , V_{oc}) is sampled and converted into the stationary reference frame using the orthogonal signal generation technique. Later, the load voltage quantities in the stationary reference frame ($V_{a,b,c(\alpha)}$, $V_{a,b,c(\beta)}$) are converted into the dq rotating frame ($V_{a,b,c(d)}$, $V_{a,b,c(q)}$) using the Park transformation. The $\sin \theta$ and $\cos \theta$ terms required for the Park transformation are obtained from the output reference voltage with a second-order generalized integrator frequency-locked loop. The load voltage quantities are compared with the reference voltage values (V_q^* , V_d^*) in the synchronous reference frame to compensate using PI controllers in the rotating frame. In this regard, V_d^* is set at the peak value of the reference phase voltage, while V_q^* is set at 0 V. The outputs of the external voltage loop can be used as the reference signals for the current controller in each subsystem. The generated references for the inner current loops (i_{cq}^* , i_{cd}^*) via the outer voltage loop are then converted from the synchronous reference frame into the stationary reference frame. It should be noted here that the phase and amplitude characteristics of the PI controller in the dq frame are equivalent to the PR controller in the stationary reference frame due to the application of the Park transformation and the inverse Park transformation.

In spite of the voltage controller, which is designed in the synchronous reference frame, the inner current control loop is implemented in the stationary reference frame. As can be seen, only α -axis

quantities belong to the real system in the current controller. Therefore, only the real reference current (i_{ca}^*) is fed to the current controller. In this control loop, the capacitor current is sampled, and then compared with the reference currents generated by the outer voltage controller. In the stationary reference frame, the reference signals are sinusoidal; hence, a simple proportional controller can be used to ensure the excellent reference tracking and to achieve a zero steady-state error.

In addition, a voltage feedforward path is added to the multi-loop controller in each phase to enhance the system robustness. Moreover, it has the ability to simplify the system modeling and controller design. The decoupling voltage feedback path is also added to the control scheme in each phase to eliminate the effect of power stage coupling on control design. Lastly, the output of the inner current loop is transformed into the natural reference frame and then divided by DC-link voltage. Note that the feedforward loop is included to consider the DC-link voltage value for the generation of the gate signals. Furthermore, the carrier-based pulse width modulator (PWM) method is used in this thesis to generate the inverter output voltage owing to its proper performance and ease of implementation. In this modulation method, the concept of offset voltage is implemented using a single carrier. The method has a strong performance and can be implemented easily. Therefore, it is used in this study to generate the inverter output voltage.

In the proposed per-phase control strategy, the PI controller regulates the instantaneous output voltages in the rotating frame, whereas the simple proportional controller regulates the currents in the stationary reference frame. According to the basic principles of the control theory of cascaded control, the inner current and the outer voltage controllers can be designed separately as long as the dynamics of the voltage loop are designed to be slower than the current loop.

4. Multi-Resonant Harmonic Compensator

The simplified model of the three-phase four-leg inverter supplying nonlinear loads is depicted in Figure 7. In this Figure, Z_o refers to the output impedance of the inverter, i is the output current, v_o is the output voltage and v_r is the reference voltage. Assuming that there are harmonics in the output current (i). Hence, the output current can be written as:

$$i = \sqrt{2} \sum_{h=1}^{\infty} I_h \sin(h\omega t + \varnothing_h) \quad (9)$$

where ω is the system frequency, h is the harmonic order and \varnothing_h is the phase angle.

Moreover, the h -th harmonic voltage dropped on the output impedance is $\sqrt{2}I_h|Z_o(j\omega h)|$. Additionally, it is assumed that the inverter injects clean current and there is no harmonic voltage generated by reference voltage. Hence, v_r can be written as:

$$v_r = \sqrt{2}E \sin(\omega t + \delta) \quad (10)$$

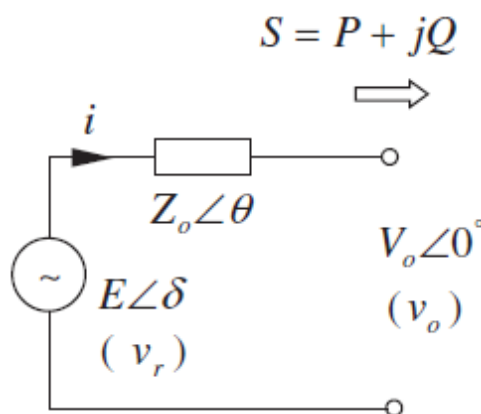


Figure 7. Simplified model of the three-phase four-leg inverter.

Hence, the fundamental component of the output voltage can be also obtained as:

$$v_1 = \sqrt{2}E \sin(\omega t + \delta) - \sqrt{2}I_1|Z_o(j\omega h)| \sin(\omega t + \varnothing_1 + \theta) = \sqrt{2}V_1 \sin(\omega t + \beta) \quad (11)$$

where

$$V_1 = \sqrt{E^2 + I_1^2|Z_o(j\omega)|^2 - 2EI_1|Z_o(j\omega)| \cos(\varnothing_1 + \theta - \delta)}$$

$$\beta = \arctan\left(\frac{I_1|Z_o(j\omega)| \sin(\varnothing_1 + \theta - \delta)}{I_1|Z_o(j\omega)| \cos(\varnothing_1 + \theta - \delta) - E}\right)$$

The harmonic components in the output voltage can also be obtained using the harmonic current components and the output impedance at the harmonic frequencies as:

$$v_H = \sqrt{2} \sum_{h=2}^{\infty} I_h|Z_o(j\omega h)| \sin(h\omega t + \varnothing_h + \angle Z_o(j\omega h)) \quad (12)$$

In this regard, the THD of the output voltage of the inverter can be obtained as [33]:

$$THD = \frac{\sqrt{\sum_{h=2}^{\infty} I_h^2|Z_o(j\omega h)|^2}}{V_1} \times 100\% \quad (13)$$

As seen, the *THD* is mainly affected by the output impedance at the harmonic frequencies. Therefore, it is feasible to optimize the design of the output impedance at high frequencies to minimize the *THD* of the output voltage. It can be achieved without affecting the impedance at the fundamental frequency. To obtain low *THD* for output voltage under highly distorted load conditions, a harmonic compensator is added to each subsystem as depicted in Figure 8. The transfer function of the harmonic compensator can be explained as:

$$HC(s) = \sum_{n=3,5,\dots,h} \frac{k_n s}{s^2 + (n\omega_f)^2} \quad (14)$$

where k_n is the gain of integrator for n th harmonic component and h is the highest harmonic order.

Table 1. Electrical and controller parameters of three-phase four-leg inverter.

Parameter	Description	Value
f_s	Switching frequency	5 kHz
ω_f	Fundamental frequency	$2\pi 60$ rad/s
L and L_n	Filter inductance	0.1 mH
C	Filter capacitance	300 μ F
r_l , r_n and r_c	Resistors of the filter	10 m Ω
V_{dc}	DC-link voltage	300 V
K	Current controller parameter	1
k_p	Proportional gain	0.15
k_i	Integral gain	42
V	Load voltage	155.56 V v/phase (peak)
Balanced	Balanced load	$R_A = R_B = R_C = 8 \Omega$
Unb.#1	Unbalanced load	$R_a = 10 \Omega, R_b = 7 \Omega, R_c = 8 \Omega$
Unb.#2	Unbalanced load	$R_a = R_b = 8 \Omega, R_c = \infty$
Unb.#3	Unbalanced load	$R_b = 8 \Omega, R_a = R_c = \infty$

5.1. Transient Performance

In this simulation, while the four-leg unit is initially supplying a three-phase resistive load (8 Ω /ph), a single-phase inductive-resistive load ($R = 20 \Omega$ and $L = 2$ mH) is added between phase 'a' and 'c' at 0.3 s. After 0.2 s, the connected load between phase 'c' and the neutral line is changed from 8 to 5.7 Ω . Lastly, the nominal load between phase 'a' and the neutral line is disconnected at 0.7 s.

The three-phase output voltages and currents of the four-leg inverter under varying unbalanced load changes, with the conventional control strategy, is depicted in Figure 9. This figure also shows the transient load voltages as zoomed figures. As can be observed from this figure, the load voltages and currents are initially balanced. Then, the load currents in phase 'a' and 'c' are increased by at least 3 line cycles transient due to the inclusion of the line-to-line load between phase 'a' and 'c' at 0.3 s. A large voltage sag is observed in the output voltages with this control strategy; however, it is restored with a slow transient response. Afterward, the connected load between phase 'c' and the neutral line is changed from 8 to 5.7 Ω at 0.5 s. Consequently, the currents in phase 'c' and the neutral current are gradually increased. Similarly, a large voltage sag emerges in the load voltages, and is restored slowly because of the sudden load change.

Finally, the nominal load between phase 'a' and the neutral line is disconnected at 0.7 s; hence, the load current in phase 'a' and the neutral current are increased again with a slow transient response. As can be seen from the zoomed figure, the load disconnection leads to unequal voltage values on three-phases. Nevertheless, the output voltage values are restored with a slow transient response. It is apparent that the conventional control scheme can keep the load voltages balanced in the steady-state at all load unbalances considered in this simulation. However, at least 3 line cycles transient responses exist with this control scheme. This is because of the fact that the conventional SCC-based control scheme is implemented using multiple dq control loops. Moreover, the symmetrical components are calculated based on all-pass filters, thereby introducing significant delays, and slowing down the dynamic response of the multiple dq control loops.

The three-phase output voltages and currents of the four-leg inverter under the situation of sudden load changes with the proposed per-phase multi-loop control strategy is depicted in Figure 10. For performance comparison, the transient load voltages are shown as zoomed figures. As seen in this figure, the load currents in phase 'a' and 'c' are sharply increased with 1 line cycle transient response after the connection of the line-to-line load between phases 'a' and 'c' at 0.3 s. Nevertheless, the neutral current does not exist for this unbalance condition. It is interesting to point out in this figure that the output voltages remain balanced without any voltage dip after the sudden load change. Subsequently, the currents in phase 'c' and the neutral current are sharply increased due to the connection of the load between phase 'c' and the neutral line at 0.5 s. Similarly, the output voltages remain balanced under

this load changes. Lastly, the nominal load between phase 'a' and the neutral line is disconnected at 0.7 s. As can be observed, the load current in phase 'a' and the neutral current rapidly increases, while the load voltages can remain balanced.

The results demonstrate that the suggested per-phase multi-loop control strategy has the ability to balance the load voltages without any voltage variations under various combinations of unbalanced loads and the situation of sudden load changes. As shown from Figures 11–13, the actual voltages (V_d , V_q) are capable of tracking the reference voltages (V_{dref} , V_{qref}) precisely in three phases ("a", "b" and "c"), when the current reference signal rapidly reacts to the voltage variations in the proposed control strategy. As can be observed from Figure 10, the suggested per-phase multi-loop control scheme shows an improved dynamic performance in comparison with the conventional control strategy. This is because it is implemented independently in each phase to compensate for the symmetrical components. As seen in Figure 10, the dynamic response of the suggested control scheme is very fast with 1 line cycle transient.

The proposed per-phase multi-loop control strategy does not require computations for the symmetrical components of currents and voltages for unbalanced voltage compensation. Indeed, it is implemented without using low-pass or all-pass filters; thus, it is able to achieve a rapid transient response. Moreover, the current controller is implemented using the capacitor current feedback signal instead of the higher ampere inductor current. The inner current control loop in each phase uses the filter capacitor current as the direct feedback signal. Therefore, variations in the inner current loop for unbalanced compensation and sudden load changes occur faster.

Table 2 compares the results obtained from this simulation, between the conventional control strategy, and the suggested multi-loop control strategy under unbalanced load conditions. As can be seen, there exist 3 line cycles transient with the conventional control scheme, while the dynamic response of the suggested control scheme is very fast, with only 1 line cycle transient. As shown in this table, the superiority of the suggested control scheme over the conventional SCC-based is confirmed by the 2 line cycles decrease in the transient response. In summary, these simulation results show that quick dynamic responses and fast regulation time with no overshoot are the main advantages of the proposed multi-loop control strategy.

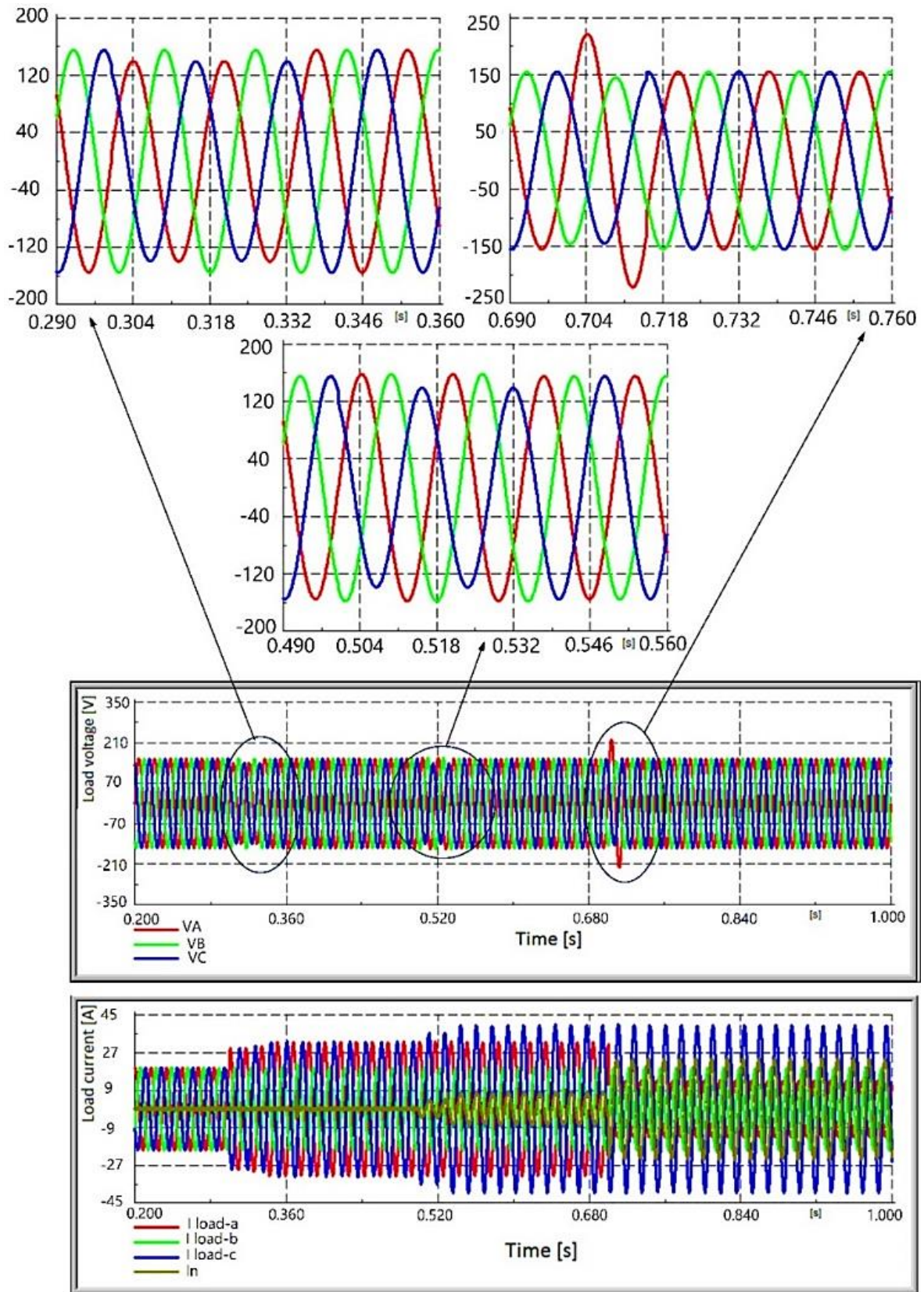


Figure 9. Output voltages and currents with the conventional control strategy under suddenly load changes.

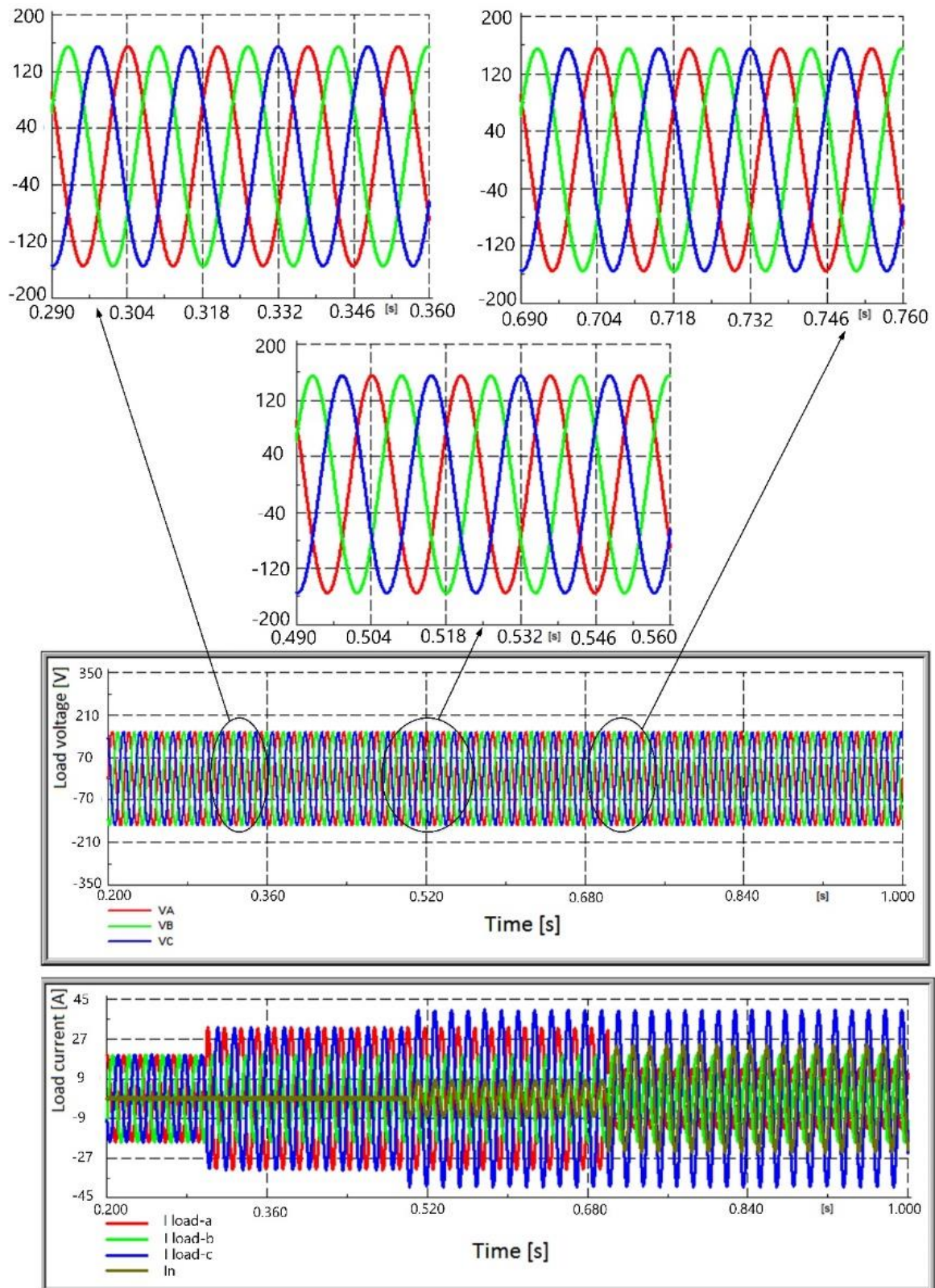


Figure 10. Output voltages and currents with the proposed control strategy under suddenly load changes.

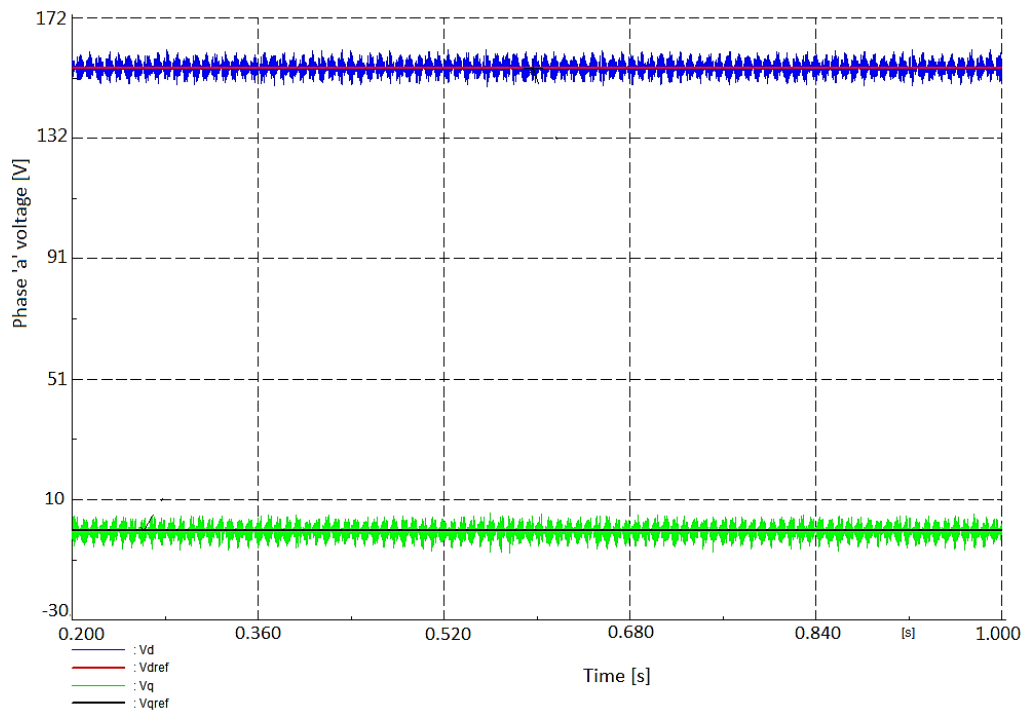


Figure 11. Reference and actual voltages of the four-leg grid-forming unit in phase 'a' in the rotating frame with the proposed control strategy.

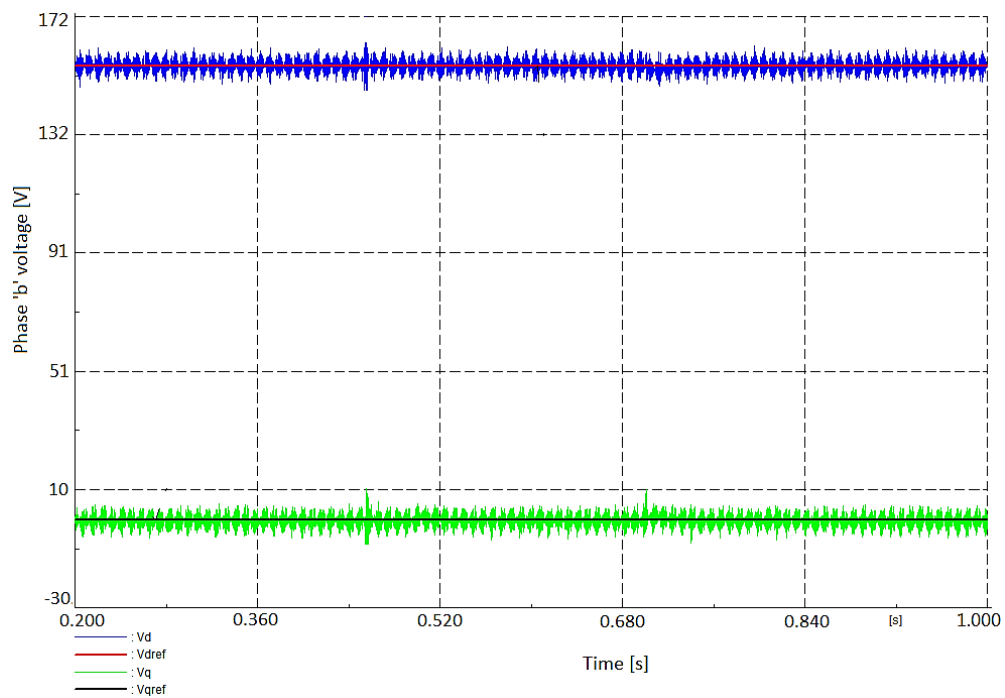


Figure 12. Reference and actual voltages of the four-leg grid-forming unit in phase 'b' in the rotating frame with the proposed control strategy.

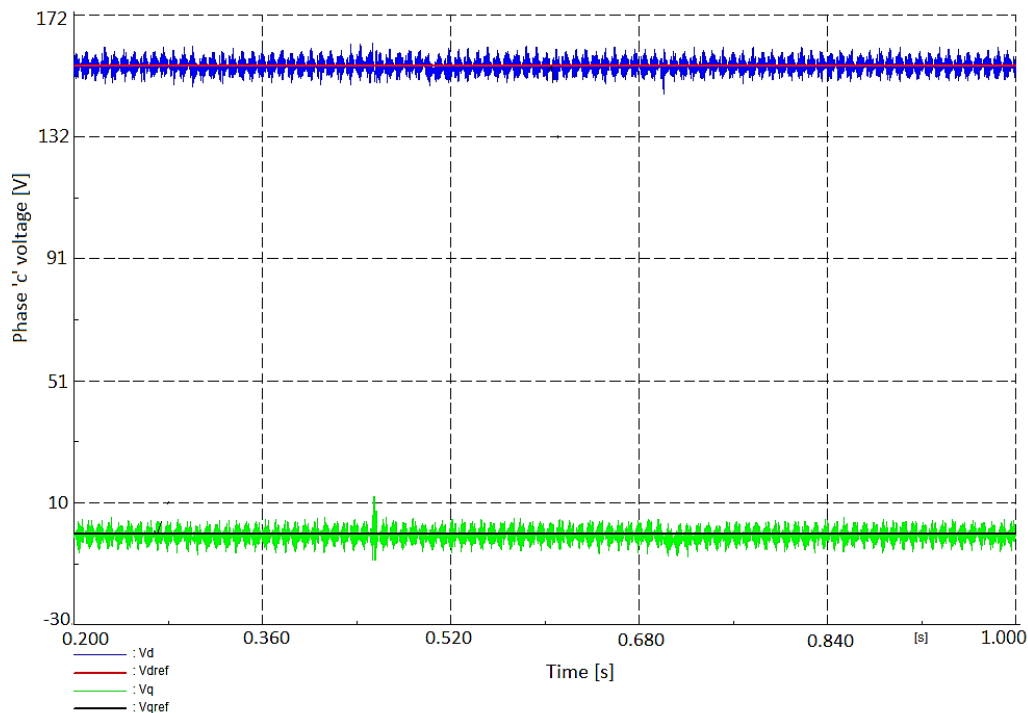


Figure 13. Reference and actual voltages of the four-leg grid-forming unit in phase ‘c’ in the rotating frame with the proposed control strategy.

Table 2. Transient performance of two control strategies.

Control Method	Transient Response to Load Changes
Conventional control scheme	3 line cycles
The proposed multi-loop control scheme	1 line cycle

5.2. Steady-State Performance

The evaluation of the steady-state behavior of the suggested multi-loop control strategy is made for a balanced load ($R_A = R_B = R_C = 8 \Omega$), and three various unbalanced load cases, which include Unb.#1: ($R_a = 10 \Omega, R_b = 7 \Omega, R_c = 8 \Omega$), Unb.#2: ($R_a = R_b = 8 \Omega, R_c = \infty$), and Unb.#3: ($R_b = 8 \Omega, R_a = R_c = \infty$).

The steady-state behavior of the four-leg power converter, equipped with the suggested multi-loop control strategy for the balanced load, is depicted in Figure 14. As seen, the output voltages and currents are balanced in the steady-state for this case because of the equal value of loading on each phase. Moreover, the neutral current does not exist for this balanced load. Figure 15 also demonstrates the load current and voltage waveforms for the three-phase Unb.#1 in the steady-state. It is observed that the load currents have unequal values. Moreover, the neutral current is not zero because of the connection to the three-phase unbalanced load. However, the proposed per-phase multi-loop control strategy has the ability to provide balanced output voltages in the steady-state under the unbalanced load.

In case of an event in one of the phases in this three-phase 4-wire system, the other two phases can be used independently, after clearing the fault. Figure 16 illustrates the steady-state load current and voltage waveforms for the Unb.#2, in which only two phases are loaded. As seen in this figure, the output voltages remain balanced irrespective of the load in one of the phases that is different from the others. It is observed that the load currents are unbalanced, and there is a significant neutral current in the 4-wire system. Figure 17 depicts the load current and voltage waveforms for the Unb.#3. It is the worst case, in which only phase ‘b’ is loaded. As seen here, the load currents of phase ‘a’ and ‘b’ are zero, as only phase ‘b’ is loaded. It can be seen from the voltage waveform that the proposed per-phase

multi-loop control strategy is capable of providing balanced output voltages under unbalanced load conditions, even when a single-phase load is connected to the microgrid.

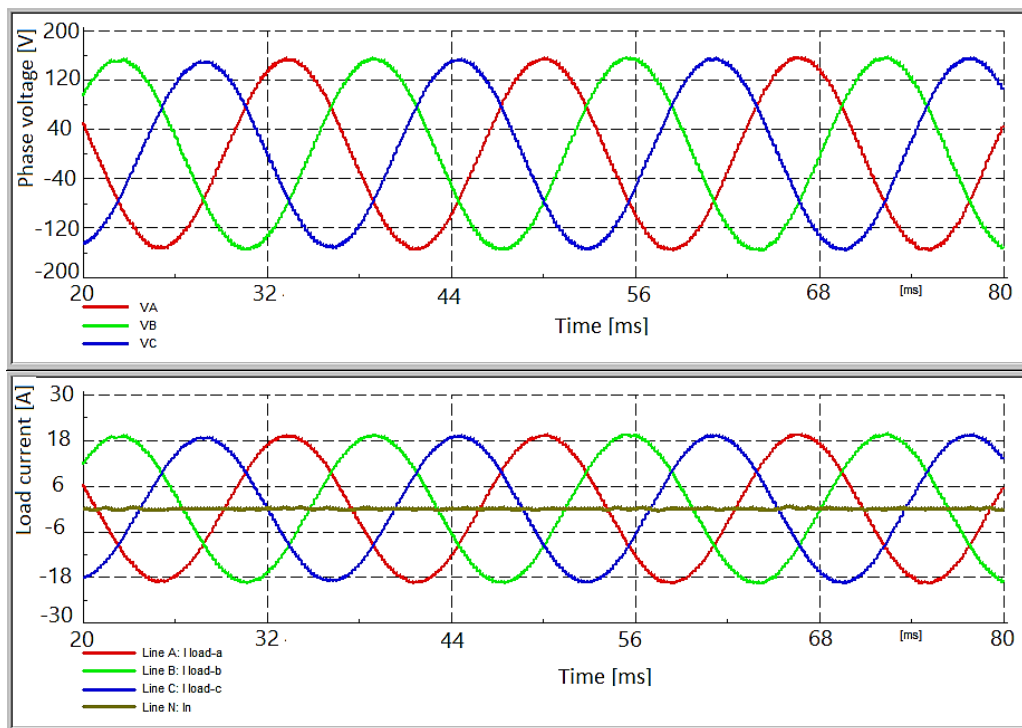


Figure 14. Output three-phase voltages and currents for the balanced load.

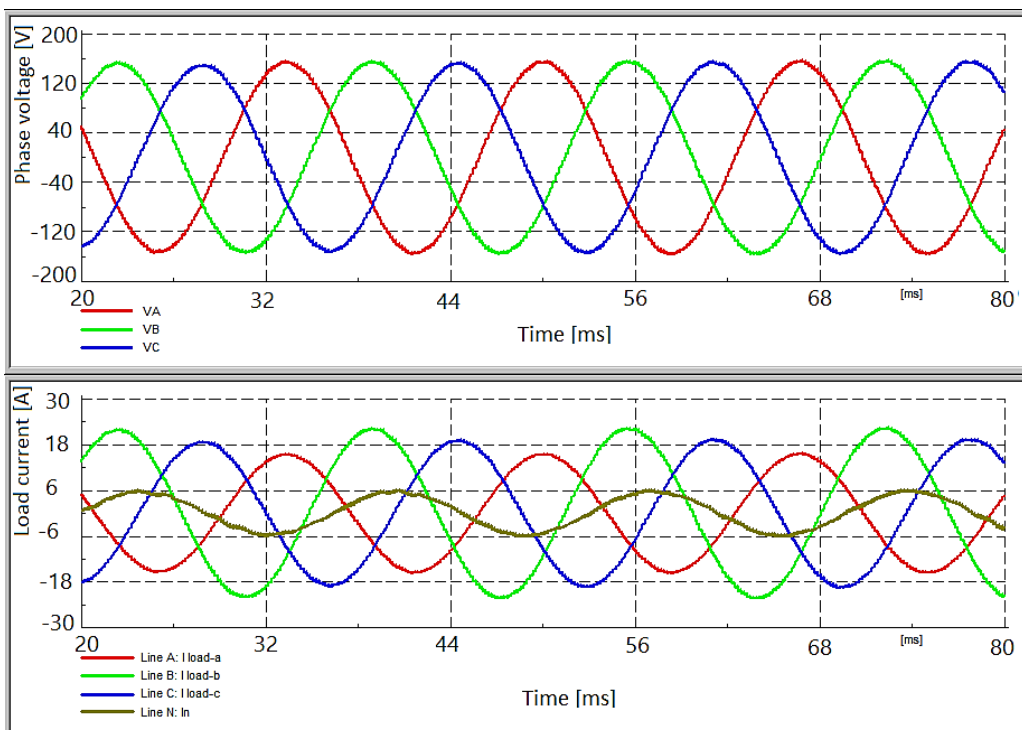


Figure 15. Output three-phase voltages and currents for Unb.#1.

It is interesting to note that the load voltages can be remained balanced in three various unbalanced load cases. For performance comparisons, the magnitudes of the fundamental components, and the PVUR of all various loads, for the conventional control strategy and the suggested control scheme are

presented in Table 3. According to the IEEE standards, the PVUR needs to be maintained at lower than 2% for sensitive loads [17]. According to IEEE, PVUR is defined as:

$$\%PVUR = \frac{\text{maximum voltage deviation from the average phase voltage}}{\text{average phase voltage}} \times 100 \quad (15)$$

As can be observed from Table 3, the load voltages remain balanced in the steady-state for both the conventional and the proposed per-phase control schemes at all tested conditions. Additionally, the value of the PVUR is maintained below 2% at all tested conditions for both control schemes. However, the value of the PVUR is reduced with the proposed control scheme for the various load unbalance cases considered in this study. It can be seen from the table that the value of PVUR is reduced from 0.128 to 0.062% for the Unb.#1 with the proposed control strategy. This value is also reduced from 0.184 to 0.173% for the Unb.#2, with the proposed control strategy. Similarly, it is also reduced from 0.192 to 0.188% for the worst case, where the three-phase four-leg grid-forming unit has to supply a single-phase load.

According to Table 3, the superiority of the proposed control strategy over the conventional control scheme is confirmed by the significant decreases in the value of PVUR for the various load unbalance cases considered in this study. As mentioned in the literature review, the tiny steady-state error can be ensured using a PI controller in the rotating frame. However, it is difficult to achieve zero steady-state error with the conventional SCC-based control strategy because of the presence of the line frequency and the double line frequency components at the output of the PI controller. The presence of the double line and line frequency components, which are the result of the negative and zero sequence components at the output of the PI controllers, can lead to non-zero steady-state error. In contrast, the proposed per-phase multi-loop control strategy is able to compensate voltage unbalance in each phase independently, thus avoiding the need to deal with the double line and line frequency components at the output of the PI controllers. Moreover, the stationary reference frame equivalent of the PI voltage controllers in the rotating frame can ensure a tiny steady-state error for the proposed multi-loop control strategy.

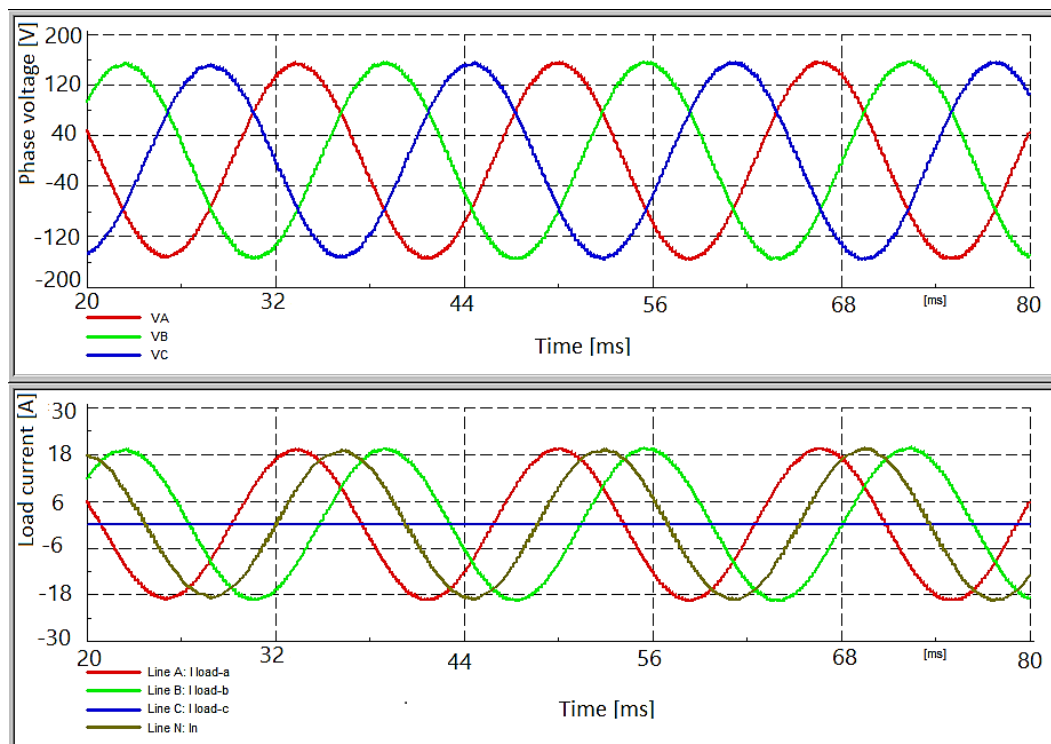


Figure 16. Output three-phase voltages and currents for Unb.#2.

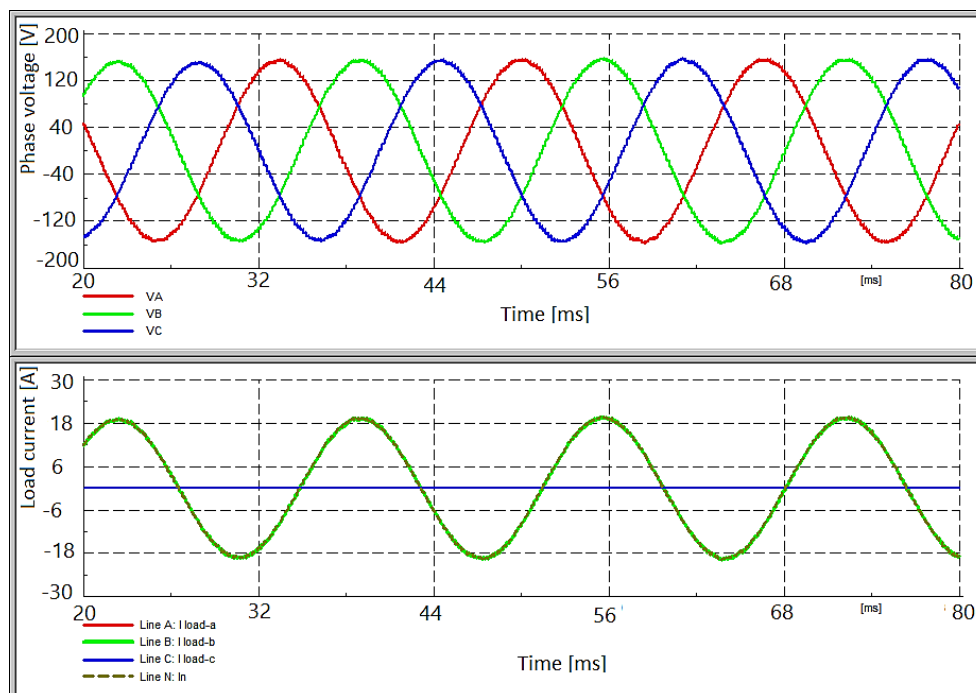


Figure 17. Output three-phase voltages and currents for Unb.#3.

Table 3. Comparison between two control strategies in the steady-state.

Load Type	Conventional Control Scheme				Proposed Control Strategy			
	Load Peak Voltages (V)			PVUR (%)	Load Peak Voltages (V)			PVUR (%)
	Phase a	Phase b	Phase c		Phase a	Phase b	Phase c	
Balanced	155.49	155.54	155.57	0.025	155.50	155.54	155.56	0.021
Unb.#1	155.25	155.52	155.58	0.128	155.38	155.49	155.56	0.062
Unb.#2	155.15	155.56	155.60	0.184	155.23	155.52	155.75	0.173
Unb.#3	155.55	155.65	155.15	0.192	155.79	155.25	155.45	0.188

5.3. Under Nonlinear Load Conditions

To confirm the performance of the control strategy under nonlinear load conditions, the four-leg power converter is simulated using the DigSILENT PowerFactory software. To validate the effectiveness of the suggested primary control strategy under nonlinear load conditions, a single-phase nonlinear load that consists of a diode rectifier bridge that feeds a 500 μ F capacitor in parallel with a 30 Ω resistor, is connected between phase 'a' and the neutral line at the PCC. The four-leg power converter is equipped with the proposed multi-resonant harmonic voltage compensator. Figure 18 illustrates the nonlinear load current waveform and the associated harmonic spectra. The waveforms of the three-phase output currents and the neutral currents of the four-leg power converter under nonlinear load conditions are depicted in Figure 19. As can be observed, the output currents of the four-leg power converter is highly distorted with sharp spikes.

The output voltages of phase 'a' in the four-leg power converter and their harmonic spectra, before compensation, is depicted in Figure 20. As seen, the output voltage of phase 'a' in four-leg power converter is distorted due to the connection of the single-phase nonlinear load. As observed, both negative and zero sequence harmonics can cause power quality difficulties in the output of the inverter.

The output voltage of phase 'a' in the four-leg power converter and their harmonic spectra, with the suggested harmonic controller, are shown in Figure 21. When comparing the output voltage waveforms in phase 'a', it is remarkable to see that by employing the multi-resonant harmonic

compensator, the harmonics for voltages in the 3rd, 5th, 7th, 9th, 11th, and 13th harmonics are obviously suppressed.

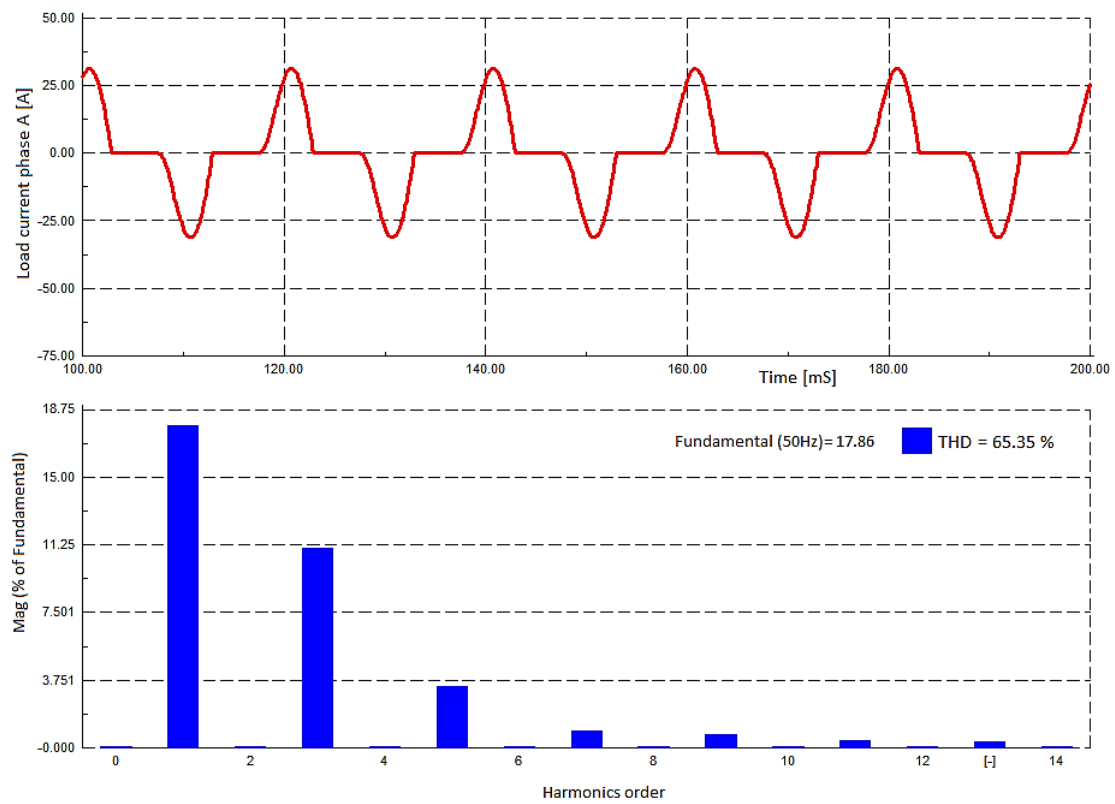


Figure 18. The waveform of load current and the associated current harmonic spectrum. THD: total harmonic distortion.

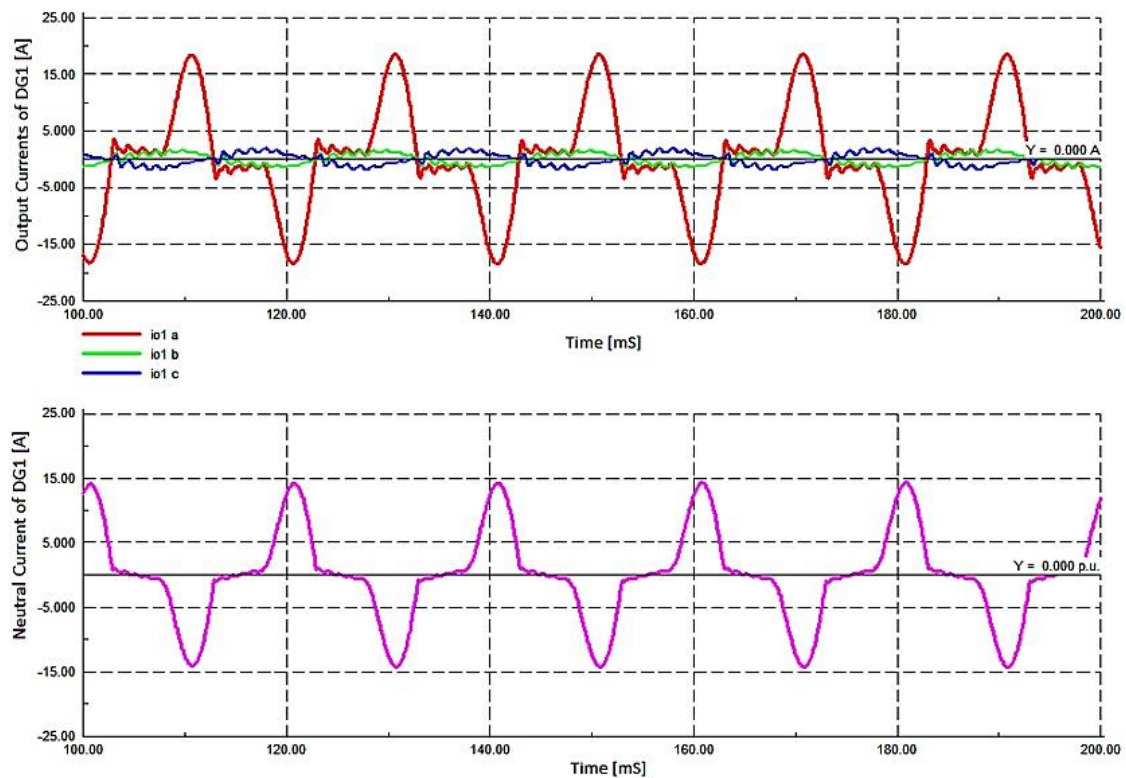


Figure 19. Three-phase output currents and the neutral current of the four-leg inverter.

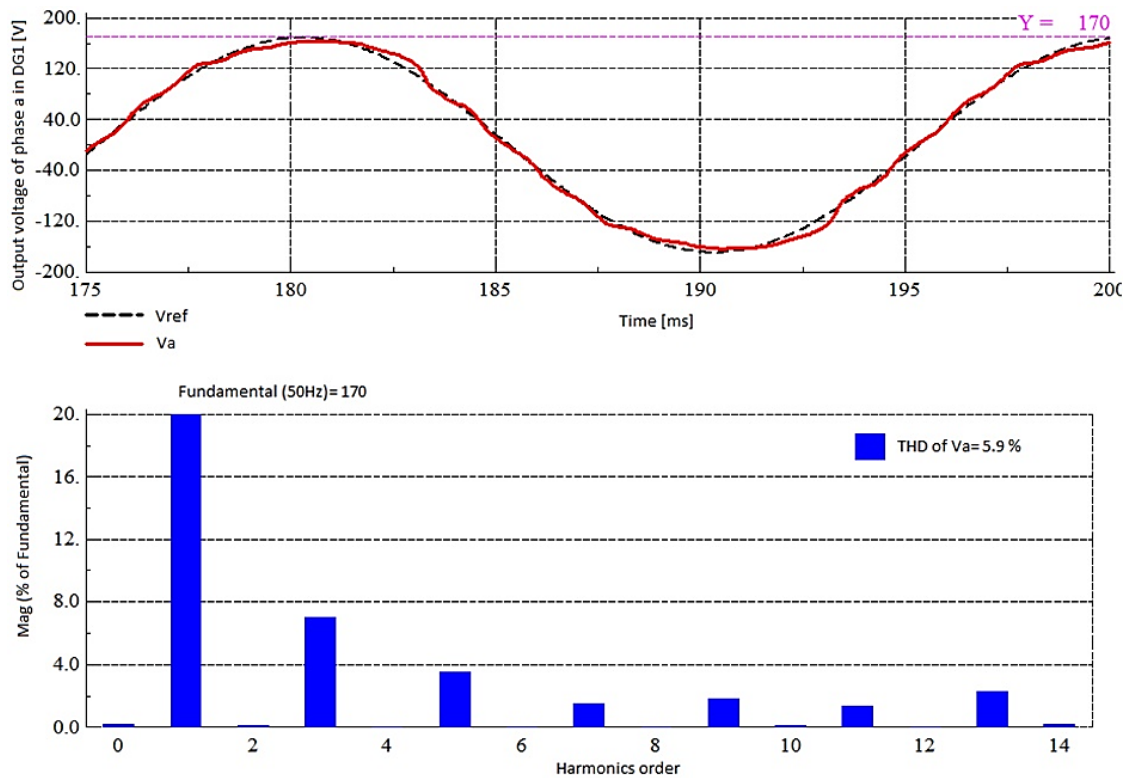


Figure 20. Output voltage of phase ‘a’ and the associated voltage harmonic spectrum, without using the harmonic compensation loop.

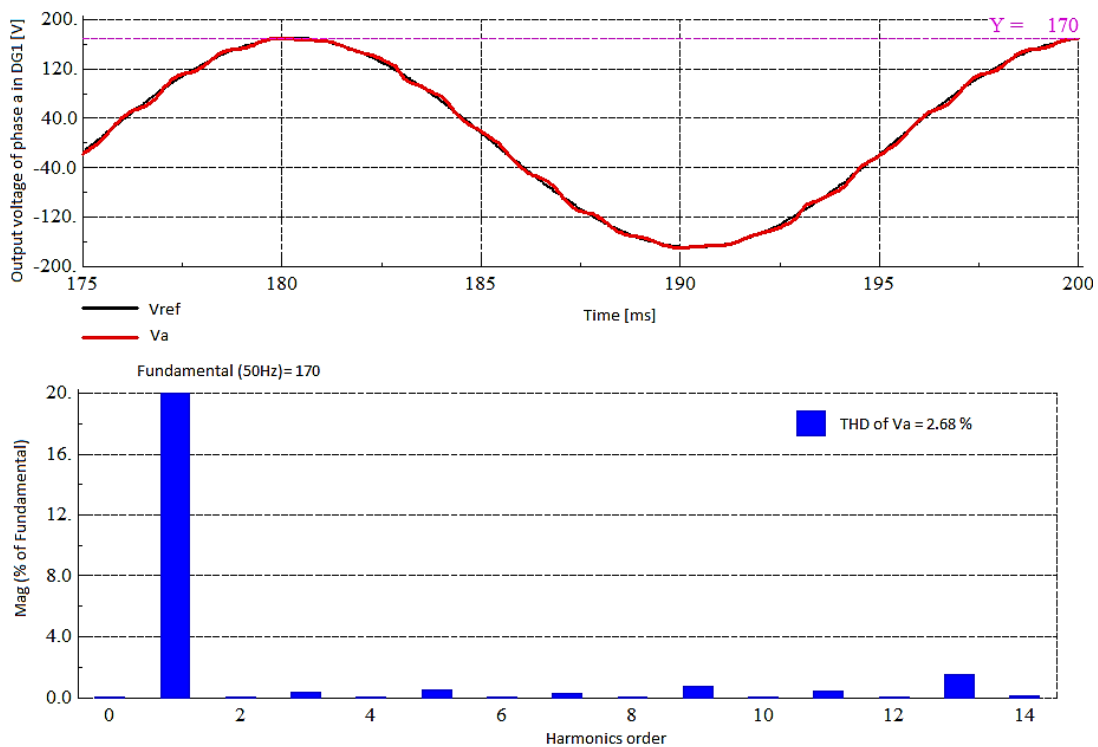


Figure 21. The output voltage of phase ‘a’ with the proposed harmonic compensation loop.

The quality of the sinusoidal voltage waveforms in terms of THD is compared in Table 4. As can be observed in this table, the output voltage of the four-leg power converter remains sinusoidal after compensation, and the THD is reduced from 5.9 to 2.68%. Overall, the results of this part show that the

per-phase multi-loop control strategy that consists of the cascaded voltage-current controller, and the multi-resonant harmonic compensator, has the ability to keep the output voltages of the DG balanced with low THD under the situation of unbalanced and nonlinear load.

Table 4. Comparison of the output voltage THDs, with and without using the harmonic controller.

Test Case	Voltage THD (%)
Without harmonic control	5.9
With the proposed harmonic control	2.68

6. Conclusions

In this paper, an enhanced controller for a four-leg power converter under unbalanced and nonlinear load conditions has been presented. It is proposed using the per-phase average modeling of the four-leg inverter in the stationary and rotating reference frames. Initially, a novel decoupled model for the four-leg inverter is presented. Next, using an improved orthogonal signal generation method, the per-phase model of the four-leg inverter in the stationary and synchronous frame is derived. Then, a per-phase multi-loop control scheme for the four-leg inverter under unbalanced load conditions is suggested. Lastly, a multi-resonant harmonic compensator is used to actively prevent low-order harmonic currents. The proposed per-phase multi-loop control strategy has the ability to provide balanced output voltages under unbalanced load conditions by avoiding the need to deal with the symmetrical components. The proposed control strategy has presented outstanding voltage control performance, such as fast transient response, and short regulation time with no overshoot under sudden load changes as well as tiny steady-state error under unbalanced load conditions. The superiority of the suggested control strategy over the conventional SCC-based control scheme is confirmed by the two line cycles decrease in the transient response, and the significant reduction in the value of the PVUR in the steady-state under various types of operation conditions. The multi-resonant harmonic compensator has also the ability to actively prevent low-order harmonic currents to distort the output voltages of the three-phase four-leg power converter. The compensation of both negative and zero sequence harmonics, simple control structure and insensitivity to frequency variations have given this control algorithm an edge over the conventional control strategies. The voltage THD of the grid-forming power converters were reduced from above 5.9% to lower than 2.68% with the proposed control strategy under nonlinear load conditions.

Author Contributions: The authors have contributed equally to this work. The authors of this manuscript jointly have conceived the theoretical analysis, modeling, and obtained the simulation.

Funding: This research was funded by the Ministry of Education (MOE) and Universiti Teknologi Malaysia under the Post-Doctoral Fellowship Schem grant number 4F828, 04E54, and 18H10.

Conflicts of Interest: The authors declare no conflict of interest.

References

1. Vasquez, L.O.P.; Meneses, C.A.C.; Martínez, A.P.; Redondo, J.L.; García, M.P.; Hervás, J.D.Á. Optimal Energy Management within a Microgrid: A Comparative Study. *Energies* **2018**, *11*, 2167. [[CrossRef](#)]
2. Miveh, M.R.; Rahmat, M.F.; Ghadimi, A.A.; Mustafa, M.W. Power quality improvement in autonomous microgrids using multi-functional voltage source inverters: A comprehensive review. *J. Power Electron.* **2015**, *15*, 1054–1065. [[CrossRef](#)]
3. Meng, X.; Wang, Q.; Zhou, N.; Xiao, S.; Chi, Y. Multi-Time Scale Model Order Reduction and Stability Consistency Certification of Inverter-Interfaced DG System in AC Microgrid. *Energies* **2018**, *11*, 254. [[CrossRef](#)]
4. Rahmani-Andebili, M. Distributed generation placement planning modeling feeder's failure rate and customer's load type. *IEEE Trans. Ind. Electron.* **2016**, *63*, 1598–1606. [[CrossRef](#)]
5. Miveh, M.R.; Rahmat, M.F.; Ghadimi, A.A.; Mustafa, M.W. Control techniques for three-phase four-leg voltage source inverters in autonomous microgrids: A review. *Renew. Sustain. Energy Rev.* **2016**, *54*, 1592–1610. [[CrossRef](#)]

6. Asuhaimi Mohd Zin, A.; Naderipour, A.; Habibuddin, M.H.; Guerrero, J.M. Harmonic currents Compensator Grid-Connected Inverter at the Microgrid. *Electron. Lett.* **2016**, *52*, 1714–1715. [[CrossRef](#)]
7. Rahmani-Andebili, M. Stochastic, adaptive, and dynamic control of energy storage systems integrated with renewable energy sources for power loss minimization. *Renew. Energy* **2017**, *113*, 1462–1471. [[CrossRef](#)]
8. Buduma, P.; Panda, G. Robust Nested Loop Control Scheme for LCL-Filtered Inverter-Based DG Unit in Grid-Connected and Islanded Microgrid Modes. *IET Renew. Power Gener.* **2018**, *12*, 1269–1285. [[CrossRef](#)]
9. Chebabhi, A.; Fellah, M.K.; Kessal, A.; Benkhoris, M.F. Four leg dstatcom based on synchronous reference frame theory with enhanced phase locked loop for compensating a four wire distribution network under unbalanced pcc voltages and loads. *J. Power Technol.* **2016**, *96*, 15–26.
10. Saroha, J.; Singh, M.; Jain, D.K. ANFIS Based Add-on Controller for Unbalance Voltage Compensation in Low Voltage Microgrid. *IEEE Trans. Ind. Inform.* **2018**, *12*, 1269–1285. [[CrossRef](#)]
11. Zarei, S.F.; Mokhtari, H.; Ghasemi, M.A. Enhanced control of grid forming VSCs in a micro-grid system under unbalanced conditions. In Proceedings of the 2018 9th Annual Power Electronics, Drives Systems and Technologies Conference (PEDSTC), Tehran, Iran, 13–15 February 2018; pp. 380–385.
12. *IEEE Recommended Practice for Monitoring Electric Power Quality*; IEEE Std. 1159; IEEE: Piscataway, NJ, USA, 2009.
13. *IEEE Recommended Practice for Electric Power Distribution for Industrial Plants*; ANSI/IEEE Std. 141; IEEE: Piscataway, NJ, USA, 1993.
14. *IEEE Recommended Practices and Requirements for Harmonic Control in Electrical Power Systems*; IEEE Standard 519; IEEE: Piscataway, NJ, USA, 1992.
15. Safa, A.; Berkouk, E.M.; Messlem, Y.; Gouichiche, A. A robust control algorithm for a multifunctional grid tied inverter to enhance the power quality of a microgrid under unbalanced conditions. *Int. J. Electr. Power Energy Syst.* **2018**, *100*, 253–264. [[CrossRef](#)]
16. Naderipour A, Zin AA, Habibuddin MH, Miveh MR, Guerrero JM. An improved synchronous reference frame current control strategy for a photovoltaic grid-connected inverter under unbalanced and nonlinear load conditions. *PLoS ONE* **2017**, *12*, e0164856.
17. Shuai, Z.; Peng, Y.; Guerrero, J.M.; Li, Y.; Shen, J.Z. Transient Response Analysis of Inverter-based Microgrids under Unbalanced Conditions using Dynamic Phasor Model. *IEEE Trans. Ind. Electr.* **2018**. [[CrossRef](#)]
18. Akinyele, D.; Belikov, J.; Levron, Y. Challenges of Microgrids in Remote Communities: A STEEP Model Application. *Energies* **2018**, *11*, 432. [[CrossRef](#)]
19. Bartolucci, L.; Cordiner, S.; Mulone, V.; Rocco, V.; Rossi, J.L. Hybrid renewable energy systems for renewable integration in microgrids: Influence of sizing on performance. *Energy* **2018**, *152*, 744–758. [[CrossRef](#)]
20. Zhang, X.; Wang, J.; Li, C. Three-phase four-leg inverter based on voltage hysteresis control. In Proceedings of the 2010 International Conference on Electrical and Control Engineering (ICECE), Wuhan, China, 25–27 June 2010; pp. 4482–4485.
21. Chen, D.; Zhang, J.; Qian, Z. Research on fast transient and $6n \pm 1$ harmonics suppressing repetitive control scheme for three-phase grid-connected inverters. *IET Power Electr.* **2013**, *6*, 601–610. [[CrossRef](#)]
22. Yaramasu, V.; Rivera, M.; Narimani, M.; Wu, B.; Rodriguez, J. High performance operation for a four-leg NPC inverter with two-sample-ahead predictive control strategy. *Electr. Power Syst. Res.* **2015**, *123*, 31–39. [[CrossRef](#)]
23. Naderipour, A.; Zin, A.M.; Habibuddin, M.H.; Guerrero, J.M. A control scheme to improve the power quality with the absence of dedicated compensation devices in microgrid. In Proceedings of the 2015 IEEE Student Conference on Research and Development (SCoReD), Kuala Lumpur, Malaysia, 13–14 December 2015; pp. 239–244.
24. Rahmani-Andebili, M. Cooperative Distributed Energy Scheduling in Microgrids. In *Electric Distribution Network Management and Control*; Springer: Berlin, Germany, 2018; pp. 235–254.
25. Mi, Y.; Zhang, H.; Fu, Y.; Wang, C.; Loh, P.C.; Wang, P. Intelligent Power Sharing of DC Isolated Microgrid Based on Fuzzy Sliding Mode Droop Control. *IEEE Trans. Smart Grid* **2018**. [[CrossRef](#)]
26. Nirmal, S.; Sivarajan, K.; Jasmin, E.; Nandakumar, M.; Jayanand, B. Steady state error elimination and harmonic compensation using proportional resonant current controller in grid-tied DC microgrids. In Proceedings of the 2018 International Conference on Power, Instrumentation, Control and Computing (PICC), Thrissur, India, 18–20 January 2018; pp. 1–5.

27. Vechiu, I.; Etxeberria, A.; Tabart, Q. Power quality improvement using an advanced control of a four-leg multilevel converter. In Proceedings of the 2015 IEEE 16th Workshop on Control and Modeling for Power Electronics (COMPEL), Vancouver, BC, Canada, 12–15 July 2015; pp. 1–6.
28. Vechiu, I.; Curea, O.; Camblong, H. Transient operation of a four-leg inverter for autonomous applications with unbalanced load. *IEEE Trans. Power Electr.* **2010**, *25*, 399–407. [[CrossRef](#)]
29. Vechiu, I.; Camblong, H.; Tapia, G.; Dakyo, B.; Curea, O. Control of four leg inverter for hybrid power system applications with unbalanced load. *Energy Conver. Manag.* **2007**, *48*, 2119–2128. [[CrossRef](#)]
30. Zhang, R.S. *High Performance Power Converter Systems for Nonlinear and Unbalanced Load/Source*; Virginia Tech: Blacksburg, VA, USA, 1998.
31. Gannett, R.; Sozio, J.; Boroyevich, D. Application of synchronous and stationary frame controllers for unbalanced and nonlinear load compensation in 4-leg inverters. In Proceedings of the Seventeenth Annual IEEE Applied Power Electronics Conference and Exposition, APEC 2002, Dallas, TX, USA, 10–14 March 2002; pp. 1038–1043.
32. Bahrani, B.; Rufer, A.; Kenzelmann, S.; Lopes, L.A. Vector control of single-phase voltage-source converters based on fictive-axis emulation. *IEEE Trans. Ind. Appl.* **2011**, *47*, 831–840. [[CrossRef](#)]
33. Zhong, Q.-C.; Hornik, T. *Control of Power Inverters in Renewable Energy and Smart Grid Integration*; John Wiley & Sons: Hoboken, NJ, USA, 2012; Volume 97.



© 2018 by the authors. Licensee MDPI, Basel, Switzerland. This article is an open access article distributed under the terms and conditions of the Creative Commons Attribution (CC BY) license (<http://creativecommons.org/licenses/by/4.0/>).