

Reality and the Probability Wave

Daniel Shanahan
PO Box 301, Raby Bay, Queensland, Australia, 4163

April 4, 2019

Abstract

Effects associated in quantum mechanics with a divisible probability wave are explained as physically real consequences of the equal but opposite reaction of the apparatus as a particle is measured. Taking as illustration a Mach-Zehnder interferometer operating by refraction, it is shown that this reaction must comprise a fluctuation in the reradiation field of complementary effect to the changes occurring in the photon as it is projected into one or other path. The evolution of this fluctuation through the experiment will explain the alternative states of the particle discerned in self interference, while the maintenance of equilibrium in the face of such fluctuations becomes the source of the Born probabilities. In this scheme, the probability wave is a mathematical artifact, epistemic rather than ontic, and akin in this respect to the simplifying constructions of geometrical optics.

Keywords probability wave · measurement problem · self interference · Schrödinger's cat · Mach-Zehnder interferometer · local realism

1 Introduction

It seems to have been Max Born who first referred to the waves of probability (*Wahrscheinlichkeitswellen*) which released from the usual binds of reality have provided an elegant and for practical purposes highly successful explanation of the phenomenon of self interference (Born [1]).

Yet these probability waves are no less mysterious than the mystery they were invoked to explain. It can hardly be doubted that as a particle passes through an interferometer, such as the Mach-Zehnder of Fig. 1, something wave-like must be moving through both arms. But I will contend here for an ontologically less interesting explanation of this wave-like effect.

I will assume that the particle itself follows a single and well-defined path at all times, and that its choice of that path is determined, not in the intrinsically probabilistic manner supposed by standard quantum mechanics (SQM), but in accordance with underlying physical microprocesses. Insisting on the strict and local application of laws of conservation, I will show that any change in the wave characteristics of the particle as it adopts that path must be accompanied by a

wave-like disturbance of equal but opposite effect in the scattering medium of the apparatus.

As each particle is measured, there will be thus two wave systems evolving through the experiment, precisely coordinated but of complementary effect - the wave-like particle, and the correspondingly wave-like response of the apparatus to the scattering of that particle. My contention will be that as this response propagates through the experiment, it mimics the presence of a further version or versions of the particle itself

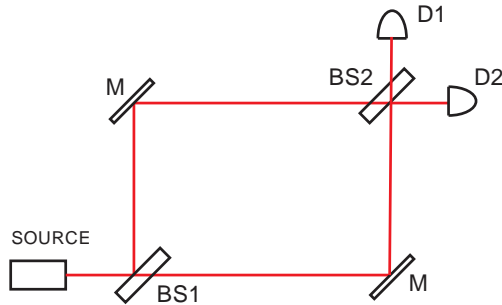


Fig. 1 A Mach-Zehnder interferometer: In standard quantum mechanics, the probability wave divides at beam splitter $BS1$ and self interference occurs as the partial waves recombine at $BS2$. As now proposed, the scattering of a photon into one or other arm at $BS1$ induces by reaction a fluctuation in the reradiation field, and it is this that interferes with the photon at $BS2$.

This response will constitute a microscopic imbalance in the scattering medium of the apparatus. The tendency of the apparatus to resist the accumulation of imbalance will be the source of the Born probabilities. The evolution of the imbalance through the experiment will explain the seemingly probabilistic alternative states that have been discerned in quantum measurement.

The difficulties that have arisen in SQM from the notion of an observer-instigated wave function collapse are well illustrated by Schrödinger's *reductio* of the unobserved cat that is at once dead and alive (Schrödinger [2]), and by the iteration of the problem of the cat in the paradox of Wigner's friend (Wigner [3]). Those difficulties will be avoided here, not merely by obviating the need for an observer, as is the aim of, for example, the objective collapse and many worlds reinterpretations of quantum mechanics, but by eliminating the Schrödinger evolution of alternative probabilistic states that has been thought to necessitate that collapse.

In developing the argument, I will refer to simple beam splitters operating by refraction and to a Mach-Zehnder interferometer assembled from such beam splitters. Despite the mysteries of the quantum, the phenomenon of refraction is itself relatively non-controversial, and by concentrating on the refraction of photons, I may avoid the suggestion of "new physics", and here at least, the

complications of the de Broglie wave, of which something has been said elsewhere (Shanahan [4] and [5]).

The Mach-Zehnder is not the famous instance of self interference. But this conceptually simple interferometer will allow the demonstration of an illusion - the apparent ability of an indivisible particle to be in two places at once - an illusion induced, as I will show, by conservation, quantization, and the wave-like nature of the elementary particles.

2 Conservation and measurement

At the level of the quantum, a measurement apparatus does not measure any individual particle. It must proceed by forcing (projecting) the particle into one or other of the eigenmodes defined by the apparatus, typically eigenmodes of some property to be measured. In the limit of large numbers, a beam of particles tends to separate between those modes so as to conserve that property in the measured beam, this being, as will be discussed in Sect. 4, the basis of the Born probabilities. By processing a sufficient number of particles in this way, and guided by those probabilities, something may thus be learned of the components of the property in the original beam.

But unless the incident particle was already in an eigenmode of the apparatus, conservation is not observed in the particle itself. Indeed it was at one time proposed on high authority (see Bohr, Kramers and Slater [6]) that conservation must be merely approximate or “statistical” in microscopic processes. That suggestion was withdrawn following experimental confirmation of the conservation of momentum in scattering processes (the Bothe [7] and Compton [8] experiments). Conservation is now more usually regarded as a meta-principle against which an otherwise promising proposal might be judged and found wanting. Certainly, a close attention to conservation has proved crucial on occasion to the understanding of quantum phenomena (see, for instance, Bloembergen [9]).

Yet in according roles in measurement to chance and nonlocality, SQM seems careless of the conserved properties of physics. The energy of a superposition of waves, and thus of interacting particles, is determined by their relative phase and degree of overlap. It is not explained how energy is to be conserved if such a superposition evolves discontinuously or nonlocally. The arbitrariness of such an evolution is difficult to reconcile with the symmetries contemplated by Noether’s theorems, and would seem to deny the local conservation and continuity supposed by the gauge principles of modern field theories (see, for instance, Ryder [10], Chap. 3)

I will assume in this paper, not only that laws of conservation are observed exactly in quantum measurement, but that movements in the properties conserved develop through the process of measurement in the local and deterministic manner that was supposed by classical physics. From that assumption, I will show that if a strict accounting is kept of those movements, the notion of a collapsing probability wave becomes redundant to the operation of conserved

microprocesses.

Consider the interaction of a single particle with an ideal 50:50 beamsplitter. According to SQM, the probability wave associated with the particle (in more formal terms, the wave function or state vector) divides at the beam splitter in accordance with conservation as,

$$|\psi_{in}\rangle \rightarrow \frac{1}{\sqrt{2}}(|\psi_I\rangle + |\psi_{II}\rangle), \quad (1)$$

where $|\psi_{in}\rangle$ is the amplitude of the probability wave of the incoming particle, while $|\psi_I\rangle$ and $|\psi_{II}\rangle$ are those of the partial waves exiting ports I and II respectively.

In dividing in this way, the probability wave has entered the so-called Schrödinger phase in which each measurement possibility (component of the wave function) evolves through the experiment in a local and deterministic manner until the occurrence of an observation (a measurement). According to the collapse postulate of SQM, the wave function then collapses in an intrinsically probabilistic, discontinuous and nonlocal manner into one or other of the two possible measurement outcomes ($|\psi_I\rangle$ or $|\psi_{II}\rangle$).

If conservation is to continue following this collapse, there must be a reaction of equal but opposite effect to the change in the particle, and if this reaction is to accord with local causality, it must occur as and where the change in the particle is effected, that is to say, in the apparatus¹. On including this reaction, Eqn. (1) becomes,

$$\psi_{in} \rightarrow \frac{1}{\sqrt{2}}[(|\psi_I\rangle + \Delta A_I) + (|\psi_{II}\rangle + \Delta A_{II})], \quad (2)$$

where ΔA_I is the change that would occur in the apparatus if the photon were to exit port I , and ΔA_{II} is the corresponding change if it were to exit port II .

This response by the apparatus must compensate for what is lost by the particle in one component of the measured property and gained in the other. In a 50:50 beamsplitter, and if the particle takes path I , the response may be expressed formally as,

$$\Delta A_I = \frac{1}{\sqrt{2}}(|\psi_{II}\rangle - |\psi_I\rangle), \quad (3)$$

and if it takes path II ,

$$\Delta A_{II} = \frac{1}{\sqrt{2}}(|\psi_I\rangle - |\psi_{II}\rangle), \quad (4)$$

¹It might be thought that the role of the apparatus in measurement was settled by von Neumann in his acclaimed *Mathematische Grundlagen der Quantenmechanik* [11]. But the "pointer" states of the apparatus contemplated there by von Neumann were correlated with the changed state of the particle rather than, as in the response of the apparatus considered here, anticorrelated with the change in the particle. The significance of the pointer in von Neumann's analysis (see in particular his Chap. VI) was that it is some such visual indication, rather than the microscopic particle that, by impinging on the consciousness of the observer, collapses the wave function (according to von Neumann).

where in either case the negative sign denotes a reduction in amplitude or equivalently a phase opposed to that of the particle².

With the reaction of the apparatus now brought into the account, self interference can be explained without recourse to the convoluted rigmarole of division and collapse supposed by SQM. It is only necessary to assume that as the particle encounters the scattering medium of the beam splitter, it does not enter the probabilistic superposition supposed by SQM, but is forced immediately toward one or other of the two exit ports of the apparatus.

As this occurs the reaction of the apparatus, evolving through the apparatus in the same manner as the photon has two effects. Along the path not taken by the photon, it mimics the effect of a divided photon. Along the path that is taken by the photon, it diminishes the effect of the photon so as to complete the illusion of a divided photon. On the particle exiting port I , the result must be, from Eqn. (3),

$$|\psi_I\rangle + \Delta A_I = \frac{1}{\sqrt{2}}(|\psi_I\rangle + |\psi_{II}\rangle),$$

and on its exiting path II , likewise from Eqn. (4),

$$|\psi_{II}\rangle + \Delta A_{II} = \frac{1}{\sqrt{2}}(|\psi_I\rangle + |\psi_{II}\rangle),$$

thus avoiding all necessity for the division and collapse supposed by SQM.

And that is what will be supposed here - that particle and apparatus adopt their measured states in a local and causal manner as the one interacts with the other, rather than belatedly and retrospectively following the collapse of the wave function, a collapse that could in principle occur much later, or in the absence of particle detectors, never at all.

The argument has relied crucially, of course, on the assumption that the response of the apparatus evolves along the same paths and in the same wave-like manner as the particle itself. That this must be so is suggested by the detailed and continuing requirements of conservation. SQM assumes that the probability wave divides in accordance with conservation. If conservation is to continue following collapse, when only one of the two possible measurement outcomes has been realized, the response of the apparatus must supply what is missing and must continue to do so as the system evolves.

However, nothing has yet been said of the microprocesses underlying this wave-like response. I will consider in the next section a class of scattering processes, ubiquitous in quantum measurement, in which there can be no doubt that the response of the medium does indeed propagate though the experiment in the same wave-like manner as the particle itself.

²From the symmetry under time reversal of Maxwell's equations, it may be argued, following Stokes (see Hecht [12], chap. 4.6.3 and 4.10), that the component of the response of the medium propagating in the same channel as the particle must be of opposite phase to that particle.

3 The response of the medium

Before confronting the mysteries of measurement directly, it will be instructive to consider the response of a scattering medium where the scattered particle is allowed no choice of path - where there is no suggestion of wave function collapse and accordingly no mystery at all.

One such case is refraction within an isotropic dielectric (such as glass) in a region remote from discontinuity (see, for instance Born and Wolf [13], Chap. II, and for an intuitive treatment, Feynman, Leighton and Sands [14], Vol. I, Ch. 31).

The interaction is entirely between the field of the photon and the charged particles of the medium. If there were no charges within the medium, the photon would pass entirely unaffected. In a dielectric, these are bound charges, and the process is thus mediated by moments, primarily electric dipole moments, induced by the flux of photons in the molecules of the material. As each photon passes through the medium, it interacts with a vast number of these molecules, driving in each molecule the oscillating divergence of positive and negative charge distributions that is the source of its dipole moment.

In the semi-classical modelling of refraction - in which the incident wave is continuous and only the medium is quantized - each induced moment is approximated as an harmonic oscillator, essentially an oscillating electron constituting a small electric dipole,

$$\mathbf{p} = -\frac{q^2}{m\omega^2}\mathbf{E}, \quad (5)$$

where \mathbf{E} is the incident electric field, ω is its frequency, and q and m are the charge and mass of the electron respectively (see Born and Wolf [13], chap. 2.4.1).

Keeping in mind an array of such dipoles, we need to consider a beam that arrives, not continuously, but episodically in a flux of discrete photons. Consistently with what is known of its interactions, the photon can be regarded as a microscopic and, in the present context, essentially indivisible, electromagnetic field having the form of a transverse wave.

As each dipole seeks to regain its unexcited state, it reradiates and does so, potentially at least, in all directions. If a photon were to interact with a single isolated dipole, it could be scattered in any of a range of possible directions. But because the array of moments acquires its spatial distribution of phase and amplitude from the inducing flux, this reradiation (also referred to as the polarization field) interferes constructively only in the direction of propagation of the flux itself (see, for instance, Barron [15], pp. 124-5). It is the composition of this induced polarization field with the field of the photon that causes the change in wavelength, and thus phase velocity, that is the origin of the refractive index.

Essentially this same process - the interference between a particle and a secondary field that the scattering of that particle has itself induced - will be identified in Sect. 6 as the explanation of the self interference observed in a Mach-Zehnder interferometer. According to this view, refraction is itself an

elementary form of self interference, but one in which incident and induced fields are able to interfere constructively in only one direction.

The process of refraction is considerably more complicated than might be supposed from the brief sketching above. Even if consideration could be limited to the passage of just one photon, the field felt by each moment will include reradiation from every other moment with which the photon is interacting, and these moments will likely have one of more resonance frequencies, and include contributions from higher order and magnetic moments. In practice refraction and reflection are dealt with, not in terms of microscopic properties, but the more easily measured macroscopic properties, including in particular the refractive index n and the bulk electric, magnetic and polarization fields E , B and P , and more will be said of this in Sect. 5.

But I will ignore all such complications here (see instead the cited texts). The essential points were made above and are in summary:

(a) that the interaction of photon with medium is solely with the charges of the medium, which has the important consequence that the reaction of the medium to any change in the photon is also mediated solely by those charges; and,

(b) that accompanying each photon, there is indeed another electromagnetic field - the reradiation or polarization field - which having acquired its wave characteristics and direction of propagation from the inducing flux is well adapted to interfere with the photon or an accompanying photon.

Without as yet allowing a photon a choice of path, let us now introduce the complication that the medium is birefringent. We will suppose that the photon is propagating horizontally through a uniaxial crystal having its optic axis aligned so that horizontal and vertical (H and V) components of the electric field of the photon induce moments of differing strengths, and thus experience correspondingly different changes of wavelength and phase velocity.

The photon is not disrupted by these competing effects. It is able to accommodate the differing phase velocities of its H and V components by a continuing variation in its state of polarization as it passes through the medium³. And here again, there is the interference between photon and induced field that was categorized above as self interference. Yet there has been no reason to suppose that the process is in any way discontinuous, nonlocal or probabilistic.

But there is now an additional effect of some consequence. With the change in polarization, a torsional reaction occurs in the medium. It is known from the experiment of Beth in 1935 (Beth [16]) and the exploitation of the Beth effect in optical traps and the like (see, for instance, Ashkin et al [17]) that photons experiencing a change in polarization when refracted by a dielectric target, not only impart linear and angular momentum to that target, but may do so to the

³A photon linearly polarized at θ to the vertical evolves through the various stages of elliptical polarization until the optical paths of its H and V components have differed by 2π at which point it will have regained its original state of polarization, and the sequence recommences. If, when the photon exits the medium, the paths of H and V components differ by $2n\pi + \pi$, the medium will have acted as a half wave plate, if $2n\pi + \pi/2$, as a quarter wave plate.

extent of causing observable movement of the target.

Now consider refraction as it occurs in measurement, as when a photon encounters the birefringence of a polarizing beamsplitter or the partially reflective surface of a simple non-polarizing beamsplitter. The interaction is again mediated solely by induced moments, but there are now alternative paths of constructive interference available to the photon, and competing influences on its characteristic structure that cannot be accommodated by a mere change of wavelength or polarization. If the photon were freely divisible it would separate between those paths in the manner supposed of the continuous wave of classical physics (and of the probability wave of SQM). But (at these energies and in this medium) the photon is indivisible, and must adopt in its entirety one or other of the two available paths.

We have come at last to the crux of the argument. As the photon is forced into one or other path, conservation (or equivalently Newton's third law) demands that there be an equal but opposite reaction in the apparatus, a reaction mediated solely by those moments with which the photon is interacting - primarily moments in a narrow skein of molecules at and near a surface of discontinuity within the scattering medium.

The reaction of the apparatus can only comprise a fluctuation in the relative strengths of the components of those moments and in the reradiation from those components. And I stress again that, having acquired its distribution of phase and amplitude from the inducing photon, this fluctuation in the reradiation field will be constrained to propagate along the same paths of constructive interference as those available to the photon itself.

Ignoring losses, and assuming the ideal 50:50 beamsplitter of the previous section, conservation demands that this fluctuation in the polarization field have the form described formally by Eqn. (3) or Eqn. (4). It will comprise a reduction in the field in the mode taken by the photon (or a fluctuation of opposite phase to the photon) and an increase in that field in the direction not taken.

As contemplated in Sect. 2, there will thus be physically real waves propagating in each path from the beam splitter.

4 The Born probabilities

How might a photon choose between these paths, and why should the beam divide in apparent compliance with the Born rule? In a simple form appropriate to discrete measurement outcomes, the rule says that,

$$prob(a_i) = |u_i |\psi\rangle|^2 \tag{6}$$

where,

$$\sum |u_i |\psi\rangle|^2 = 1,$$

and $prob(a_i)$ is the probability that a particle in the state ψ will be found with the eigenvalue a_i , for which the corresponding eigenstate is u_i (Born [18]).

The assumption in SQM that the $prob(a_i)$ are intrinsic to the particle measured is taken to mean that the outcome of measurement is governed by pure chance, or as it is said, “irreducible quantum randomness” (see, for instance, Khrennikov [19], Ch. 7). This species of probability seems to have been encouraged, initially at least, by the apparently random nature of atomic transitions, but it is only in its consistency with the idea of a divisible probability wave that it seems indispensable to SQM. If it were to be admitted that the particle was in a particular channel of the apparatus prior to its observation, there could be nothing in the other channel to explain the self interference observed at measurement - or so at least it has been assumed in SQM.

However, it is a significant clue to the real nature of these probabilities that they lead, in the limit of large numbers, to conservation of the measured property, or when there is no measured property, to some other balancing consistent with conservation. That is so at least in those cases involving alternative paths from a scattering event that lead to the self interference of interest here.

For example, the division effected by a polarizing beam splitter is consistent with conservation of the components of polarization of the incident beam, while that by a non-polarizing beam splitter operating by partial reflection maintains the balancing of electromagnetic fields defined by the Fresnel relations (of which something more will be said in the next section).

The division of the beam will also be constrained by quantization. For instance, in the measurement of spin 1/2 by a Stern-Gerlach magnet, it is only the component of spin in the direction of the field that is measured, but quantization requires that particles adopt an alignment that is either spin up or spin down with respect to that field. Conservation of angular momentum then requires that a beam with its spin at φ to the field divide between spin up and spin down modes in the proportions, $\cos^2 \varphi/2$ to $\sin^2 \varphi/2$, in accordance with the trigonometric relation,

$$\cos \varphi = \cos^2 \frac{\varphi}{2} - \sin^2 \frac{\varphi}{2}.$$

For spin greater than 1/2 the number of modes available is greater, but the probabilities and the manner in which they transform on rotation are always consistent with the conservation of angular momentum.

It is also possible to see in these examples why the Born rule expresses probabilities as the squares of amplitudes. The conserved property is the component of a wave or oscillation and thus a vector, which explains the relevance to the Born probabilities of Pythagoras theorem and Hilbert space and the continuity in the transformation of waveforms relied upon by Gleason’s theorem (Gleason [20]).

It might thus be thought that conservation is *the* explanation of the Born probabilities. But conservation alone cannot explain these probabilities. In whatever manner, a beam might divide, laws of conservation will be satisfied by the equal but opposite reaction of the apparatus, and this would be so even if the beam were to adopt in its entirety a single mode of the measured property. But unless the incident beam was already in that single mode, such a result

is not observed, and it is only necessary to consider why that is so to come to what is, I suggest, the true explanation of the probabilities.

If the beam were to divide in any manner inconsistent with conservation, this would involve a sustained transfer of measured property from beam to apparatus, and a consequent reduction of entropy, contrary to the second law of thermodynamics. In the case of a polarization beam splitter, for example, such a transfer would induce a torsional strain in the apparatus, capable in principle of doing work.

This suggests that the degree of conservation observed in the measured beam is merely incidental to a process of recovery or equilibrium in the apparatus. In such a process, each photon would “choose” its path, not by chance, but as determined by its own particular circumstances, including the state of imbalance in which the photon finds the scattering medium.

It is not the case, as seems to be implied by the notion of intrinsic probability, that the apparatus encountered by one particle is in the same state as that met by the next. Unobserved macroscopically, various changes of significance are occurring in the apparatus. The medium is in thermal equilibrium and superimposed on that equilibrium is the fluctuating imbalance induced by preceding measurements. Created in the path of following and accompanying photons, this imbalance is eminently adapted to influence by interference the ensuing beam.

The Beth effect, referred to in Sect. 3, showed that such an imbalance is not simply passed on without local effect to the wider environment, but may be sufficiently enduring to cause observable dynamic change in the scattering medium. But unlike a beam splitter, the suspended waveplate of Beth was what might be termed a single-mode device, allowing no possibility of maintaining equilibrium by a division of the incoming beam.

The division by pure chance assumed by SQM would be an inferior, indeed unreliable, way of maintaining that equilibrium. The measurement of any one particle would as likely increase as decrease a pre-existing imbalance in the medium. The variance of a distribution based on chance (that of the random walk) increases with run-time, and in the tails of such a distribution an excursion from balance could be substantial (see Mandel and Wolf [21], Chap. 2.10.2). Indeed, any such departure would question the compliance of the system with the second law. While it may be convenient to model excursions from equilibrium in terms of the random walk, they tend in practice to be self-limiting whatever the run-time.

Such a rebalancing may be less effective when particles arrive, not in a steady beam, but singly, one after the other. Presumably there must come a point at which a beam is so attenuated that the imbalance induced by one particle will have dissipated before the arrival of the next. But although experiments with attenuated beams have been reported, and some degree of attenuation is necessary for the observation of self interference, it does not appear to have been demonstrated that the Born probabilities survive in a beam that is so attenuated that each measurement is in effect a separate experiment.

Finally here, something should be said of those situations in which SQM

supposes a probabilistic superposition of states, but there has been no preliminary scattering into alternative paths, and accordingly no apparent opportunity for the rebalancing contemplated above. In these situations, SQM has simply assumed that if a particle, or even it might seem, a macroscopic object such as the cat of Schrödinger, could be in one state or another state, and it is not known which, it must be in a probabilistic superposition of such states.

Schrödinger asked us to imagine a cat confined within a box with a small sample of a radioactive substance so positioned that if an atom of the substance were to decay, it would cause a flask of hydrocyanic acid to shatter and kill the cat (Schrödinger [2]). Until the box is opened and its contents observed, it would have to be assumed (according to SQM) that each atom is in a superposition of decayed and undecayed states, implying in turn a superposition of the dead cat with the living cat.

For Schrödinger, this superposition of cats was illustrative, as he said, of the “quite ridiculous cases” (*ganz burleske Fälle*) that might arise from the observer-dependent collapse assumed by SQM. Yet notwithstanding its apparently random nature, there is nothing in a radioactive decay to suggest the self interference that encouraged the notion of an intrinsically probabilistic superposition. There is no suggestion that the atom is in two places at the same time or that its later state is interfering with its earlier state. There is accordingly no compelling reason, other than consistency with those more troublesome cases that do lead to self interference, to suppose that the timing of such a decay is governed by pure chance, rather than deterministic microprocesses as yet unknown.

The mischief here is that this notion of intrinsic probability is likely to be inhibiting investigation into the possibility that some deterministic mechanism is indeed ordering the timing of such decays.

5 A beam splitter

I consider how this process of rebalancing might work in a simple non-polarizing beam splitter operating by partial reflection. (Two such beam splitters will be needed for the Mach-Zehnder interferometer to be considered in the next section).

While it may not be feasible to follow the details of what is happening at the quantum level, the fluctuation in fields that results from the passage of an individual photon can be treated as a microscopic perturbation of the continuous and macroscopic wave supposed by classical physics.

The relative amplitudes of reflected and refracted beams were deduced by Fresnel from an elastic wave theory in 1823, (see Silverman [22], pp. 228-231), and given what is essentially their modern textbook derivation by Lorentz in 1875 by insisting that Maxwell’s equations be satisfied across the inter-medial boundary (Lorentz [23]). The macroscopic wave is assumed to divide so that the forces on the charges of the medium, whether arising from incident or induced fields, are in a state of balance (as contemplated in the preceding section).

The continuity of Maxwell's equations across the boundary requires (assuming a wave passing from medium 1 to medium 2 through a boundary in the xy -plane) that,

$$\begin{aligned}(\varepsilon_0 \mathbf{E}_1 + \mathbf{P}_1)_z &= (\varepsilon_0 \mathbf{E}_2 + \mathbf{P}_2)_z, \\ (\mathbf{E}_1)_{xy} &= (\mathbf{E}_2)_{xy}, \\ \mathbf{B}_1 &= \mathbf{B}_2.\end{aligned}\tag{7}$$

where \mathbf{E} , \mathbf{B} and \mathbf{P} are respectively the macroscopic electric, magnetic and polarization fields and ε_0 is the permittivity of free space (see, for example, Feynman [14], Vol. II, chap. 33).

In considering the quantized wave, the Fresnel relations can be taken to define, not the steady state contemplated by Lorentz, but that notional point of equilibrium about which the system fluctuates as photons are variously reflected or refracted from the semi-reflective boundary. The fields must remain in balance and for this to occur there must be a continuing readjustment, not of the boundary conditions themselves, but of the manner in which those conditions are satisfied.

Consider, for example, the first of conditions (7), which is obtained by asserting, in the z -direction, Coulomb's law, which in dielectric form is,

$$\nabla \cdot \mathbf{E} = -\frac{\nabla \cdot \mathbf{P}}{\varepsilon_0}.$$

On the side of the boundary to which a photon departs, there will be (as compared with the steady state supposed classically) a fleeting increase in the electromagnetic field supplied by the beam, and on the other side of the boundary, a corresponding decrease in that field. This fluctuation will induce by reaction compensating changes in the dispositions and relative strengths of the components of moments and in the corresponding components of the ambient polarization field.

Whether the photon is reflected or transmitted, the fields at the boundary will thus remain continuous, but at the cost of a microscopic departure from the state of balance defined by the mean intensity of the incident beam. This fluctuation in fields will influence in turn the choice of path made by a following particle, thus contradicting the assumption of SQM that measurement is intrinsically probabilistic.

SQM effectively suppresses these fluctuations in field strengths by invoking the probability wave, a phenomenon having more in common with the constructions of geometrical optics than the quantized wave with which SQM must ultimately deal. Having invoked this probability wave, SQM has had to contrive its collapse, and thus the need for a measurement and an observer that led to the "measurement problem".

It is not until that collapse occurs that SQM gives effect to the quantization of the measured beam, but by then the continuity of fields assumed by Maxwell's equations has been lost in discontinuity and nonlocality.

6 The Mach-Zehnder interferometer

Consider again the Mach-Zehnder interferometer of Fig. 1. The interference at $BS2$ is now between real waves, these being the photon and the secondary wave that was generated by reaction at $BS1$ as the photon was forced to adopt one or other path through the interferometer. As discussed in Sect. 5, this fluctuation in the polarization field maintains microscopically the continuity and balancing of fields supposed classically by Maxwell's equations and the Fresnel relations.

As in SQM, each set of waves recombining at $BS2$ will have originated from the scattering of a single photon at $BS1$. For photons of sufficiently like frequency, the phase difference Δ between the two paths will thus remain substantially the same from one photon to the next. Thus no matter how attenuated or incoherent the original beam from the source may have been, the recombining waves will demonstrate observable interference at the second beam splitter.

Let us suppose that $BS1$ and $BS2$ are non-polarizing lossless 50 : 50 beam-splitters so constructed and aligned that when the upper and lower optical paths to detector $D1$ differ by Δ , the corresponding paths to detector $D2$ will differ by $\Delta + \pi$. If $\Delta = 0$, the recombining waves will interfere constructively toward $D1$, but destructively in the direction of $D2$. The photon will favour the path that preserves the integrity of its waveform. Photons scattered at $BS2$ will thus register only at $D1$. If $\Delta = \pi$, those photons will register instead at $D2$. In either case the result will coincide with the prediction of SQM.

If the recombining waves are neither entirely in nor out of phase, the beam will divide at $BS2$ in accordance with the intensities determined by the interference occurring in $BS2$ ⁴. In SQM, these intensities correspond to the Born probabilities and are,

$$\frac{\text{prob}(D1)}{\text{prob}(D2)} = \frac{\cos^2 \frac{\Delta}{2}}{\sin^2 \frac{\Delta}{2}}, \quad (8)$$

where Δ is again the difference between the two optical paths.

To provide a physically realistic explanation of these probabilities, I briefly repeat what will now be an all too familiar refrain. The photon is indivisible and must adopt in its entirety one or other path. As it does, whatever force or effect is ensuring that indivisibility, must induce by reaction in $BS2$, an imbalance in the dipole moments mediating the interaction. If the photon takes the path toward $D1$, the coherent merger of photon and secondary wave in that direction

⁴For detection at $D1$, for instance, and assuming recombining waves of phases χ_1 and χ_2 , the intensity (probability) is.

$$\begin{aligned} |e^{i\chi_1} + e^{i\chi_2}|^2 &= \left[\left(e^{i(\chi_1+\chi_2)/2} \right) \left(e^{i\Delta/2} + e^{-i\Delta/2} \right) \right]^2, \\ &\approx \cos^2 \frac{\Delta}{2}, \end{aligned}$$

where $\Delta = \chi_1 - \chi_2$, and the first factor on the right hand side in the first line has been equated with unity.

induces in *BS2*, a reaction of energy,

$$\sin^2 \frac{\Delta}{2}, \tag{9}$$

tending to bias the ensuing flux toward *D2*. Conversely, coherence in the direction of *D2* must induce an imbalance,

$$\cos^2 \frac{\Delta}{2}, \tag{10}$$

creating a bias toward *D1*. From (9) and (10), the maintenance of equilibrium within *BS2* will ensure an (approximate) division between *D1* and *D2* in the proportions predicted by the Born probabilities ((Eqn. 8)).

There is no suggestion in the above that the secondary wave is itself in any sense a photon or part of a photon. Essentially, it is a fluctuation in the polarization field capable of survival over the time frame of the experiment and having an equal but opposite effect to the change occurring in the photon itself.

7 Conclusion

As described in this paper, it is an illusion - literally in the Mach-Zehnder, a trick done with mirrors - that the photon is in two places at once. As the indivisibility of the photon constrains it to one path, the response of the apparatus, evolving through the experiment in the same wave-like manner as the photon, creates the impression that the photon is somehow occupying both paths. And with waveforms in each path, it is only natural that if an attempt is made to locate the particle within those paths, the visibility of the interference is diminished accordingly.

What then is the probability wave? Were it not now so commonplace, it might seem a wondrous thing that an image can be propagated with such fidelity from a reflective surface or through a pane of glass. The feat is no less impressive when it is realized that the path of each photon is determined by the fluctuating states of a vast multitude of mutually interfering electromagnetic fields, these being the field of the photon itself, those of accompanying photons, reradiation from moments induced by all those photons, and further reradiation induced by the original reradiation.

In this multitude of interacting waveforms, there is no single wave, nor even a divided wave, that is identifiable with the simply constructed probability wave of SQM. Even if measurement were in some degree intrinsically probabilistic, the probability wave could be no more than a mathematical convenience, epistemic rather than ontic, and similar in this respect to the constructions of geometrical optics. Such a construction may suggest where the particle is likely to go, but not why it must go there.

There are other interpretations of quantum mechanics in which the particle is assumed to have, as it does here, a definite position and velocity, and hence a well-defined trajectory. These include de Broglie's pilot wave theory of 1928

[24], and the rediscovery and revision of that theory by Bohm in 1952 (Bohm [25] and [26], and see the review by Goldstein [27]). Also in this category is the recent proposal by Gao, who argues for the physical reality of the particle from the implications of protective measurement (see, for instance, Aharonov et al [28]), and shows how the wave function, and in turn the Born probabilities, might be defined by the rapid and discontinuous motion of the particle in question (Gao [29]).

The theory presented here departs crucially from those proposals, as it does from other interpretations of quantum mechanics, in identifying the mysterious wave-like effect in the path (or paths) not taken by the particle as the consequence of well-understood and otherwise familiar underlying microprocesses. To explain self interference, the present proposal thus has no need for a novel ontology, such as those interesting but inevitably contentious ontologies that have characterized other theories.

I have concentrated here on the Mach-Zehnder and not discussed at all the better known double-slit experiment. But with its paths diverging to macroscopic separations, the Mach-Zehnder provides I suggest the more compelling illustration of self interference.

Nor of course is self interference the only mystery of quantum theory. There is in particular the apparent nonlocality of entanglement, and following the recent rush of “loop-hole free” Bell tests, it may seem, as has been asserted, that the final nail has been driven into the coffin of local realism (see, for instance, Wiseman [30]). But no one has as yet come forward to explain these faster-than-light influences, or to tell us how, if at all, they propagate or how they are to be reconciled with those fundamental forces of nature for which the speed of light is a limiting velocity. Until more sense can be made of this, these claims of superluminality are deserving of continuing scrutiny.

Meanwhile, I have shown that in at least one class of physical processes, both self interference and the Born probabilities can be explained, not merely in a manner consistent with physical reality, but in accordance with well-recognized electromagnetic microprocesses that must be suppressed if measurement is to have the curious nature supposed by SQM.

References

- [1] M. Born, Quantenmechanik der Stossvorgänge, *Z. Phys.* **38**, 803 (1926)
- [2] E. Schrödinger, Die gegenwärtige Situation in der Quantenmechanik, *Naturwiss.* **23**, 807 (1935), English translation by J. D. Trimmer, The present situation in quantum mechanics, in J. A. Wheeler, W. H. Zurek, (eds.): *Quantum Theory and Measurement* (Princeton University Press, New Jersey, 1983)
- [3] E. P. Wigner, Remarks on the mind-body question, in I. J. Good (ed.), *The Scientist Speculates* (Heinemann, London, 1961)

- [4] D. Shanahan, A Case for Lorentzian Relativity, *Found. Phys.* **44**, 349 (2014)
- [5] D. Shanahan, The de Broglie wave as evidence of a deeper wave structure arXiv:1503.02534v2 [physics.hist-ph]
- [6] N. Bohr, H. A. Kramers and J. C. Slater, The quantum theory of radiation, *Phil. Mag.* **47**, 785 (1924), reprinted in B. L. van der Waerden, (ed.), *Sources of quantum mechanics* (North-Holland, Amsterdam, 1967)
- [7] W. Bothe, and H. Geiger, Experimentelles zur Theorie von Bohr, Kramers und Slater, *Naturwiss.* **13**, 40 (1925)
- [8] A. H. Compton, and A. W. Simon, Directed quanta of scattered Xrays, *Phys. Rev.* **26**, 289 (1925)
- [9] N. Bloembergen, Conservation laws in nonlinear optics, *J. Opt. Soc. Am.* **70**, 1429 (1980)
- [10] L. H. Ryder, *Quantum Field Theory*, 2nd. edn. (Cambridge University Press, Cambridge, 2004)
- [11] J. von Neumann, *Mathematische Grundlagen der Quantenmechanik* (Springer, Berlin, 1932), English trans. by R. T. Beyer, *Mathematical Foundations of Quantum Mechanics*, (Princeton University Press, Princeton, New Jersey, 1955)
- [12] E. Hecht, *Optics*. 4th edn. (Addison Wesley, San Francisco, 2002)
- [13] M. Born, and E. Wolf, *Principles of optics*. 7th edn. (Cambridge University Press, Cambridge, 1999)
- [14] R. P. Feynman, R. B. Leighton, and M. Sands, *The Feynman Lectures on Physics* (Addison-Wesley, Reading, 1963)
- [15] L. Barron, *Molecular Light Scattering and Optical Activity*, 2nd. ed. (Cambridge University Press. Cambridge, 2004)
- [16] R. A. Beth, Mechanical detection and measurement of the angular momentum of light, *Phys. Rev.* **50**, 115 (1936)
- [17] A. Ashkin, J. M. Dziedzic, J. E. Bjorkholm, and S. Chu, Observation of a single-beam gradient force for dielectric particles, *Opt. Lett.* **11**, 288 (1986)
- [18] M. Born, Zur Quantenmechanik der Stossvorgange. *Z. Phys.* **37**, 863 (1926), English trans., On the quantum mechanics of collisions, in J. A. Wheeler, and W. H. Zurek eds., *Quantum Theory and Measurement* (Princeton University Press, Princeton N. J.,1983)
- [19] A. Y. Khrennikov, *Probability and Randomness: Quantum versus Classical* (Imperial College Press, London, 2016)

- [20] A. M. Gleason, Measures on the Closed Subspaces of a Hilbert Space, *J. Math. Mech.* **6**, 885 (1957)
- [21] L. Mandel, and E. Wolf, *Optical coherence and Quantum Optics* (Cambridge University Press, Cambridge, U. K., 1995)
- [22] M. P. Silverman, *Waves and grains: Reflections on Light and Learning* (Princeton University Press, Princeton, 1998)
- [23] H. A. Lorentz, Dissertation, University of Leiden (1875). In: *Collected Papers* (Nijhoff, The Hague, 1935)
- [24] L. de Broglie, La nouvelle dynamique des fields quanta. In J. Bordet (ed.), *Electrons et photons: Rapports et discussions du cinquieme Conseil de Physique*, pp. 105–132 (Gauthier-Villars, Paris), English translation, The new dynamics of quanta, in G. Bacciagaluppi, and A. Valentini, *Quantum Theory at the Crossroads: Reconsidering the 1927 Solway Conference* (Cambridge University Press, Cambridge, 2009)
- [25] D. Bohm, A Suggested Interpretation of the Quantum Theory in Terms of “Hidden” Variables I, *Phys. Rev.* **85**, 166 (1952)
- [26] D. Bohm, A Suggested Interpretation of the Quantum Theory in Terms of “Hidden” Variables II, *Phys. Rev.* **85**, 180 (1952)
- [27] S. Goldstein, Bohmian Mechanics, in *The Stanford Encyclopedia of Philosophy*, E. N. Zalta (ed.), <http://plato.stanford.edu/entries/qm-bohm> (retrieved 23 Mar. 2019)
- [28] Y. Aharonov, J. S. Anandan, and L. Vaidman, The meaning of protective measurements. *Found. Phys.* **26**, 117 (1996)
- [29] S. Gao, *The Meaning of the Wave Function: In Search of the Ontology of Quantum Mechanics* (Cambridge University Press, Cambridge, 2017)
- [30] H. Wiseman, Death by experiment for local realism, in News and views, *Nature*, **526**, 649 (2015)