

IPEC2003

The 6th International
Power Engineering Conference

ISBN: 981-04-8705-3



Main menu

Getting started

Introduction

Sessions

Authors

Search

View metadata, citation and similar papers at core.ac.uk

brought to you by
CORE
provided by Scientific Repository

Message from Chairmen

On behalf of the Organizing Committee of the Sixth International Power Engineering Conference 2003 (IPEC2003), we take great pleasure and honor in welcoming all delegates to Singapore.

The main challenge facing today's power engineering professionals remains that of satisfying the ever-increasing demand for reliable and high quality electricity by the most economical means. The key to meeting this challenge is to use the appropriate technologies and to complement them with sound industrial and managerial skills. This is particularly true in the light of the globalization of the world economy, where the utility industry is no exception. In order to prosper in this increasingly competitive market, electrical supply networks must provide quality service at prices acceptable to customers.

At the same time, one can see the tremendous growth and advances made in information technology in recent years – these developments show that the technology lends itself surprisingly well in helping us meet the new challenges. The identified theme of IPEC2003, "Information Technology in Today's Electricity Market" is therefore very topical and timely.

IPEC, a biennial event since 1993, has always attracted in excess of 200 delegates on every occasion. IPEC2003 is particularly successful in that it has attracted 378 abstracts from 34 countries. After a rigorous review process, 187 full papers have been finally selected and included in the conference proceedings. The papers will be presented in 35 technical sessions over two-and-a-half days. In addition, a small exhibition of the latest products and services in power engineering has also been arranged in conjunction with the Conference.

For IPEC2003, we are extremely grateful to Professor Su Guanng, President, NTU, for taking time off from his busy schedule in officiating at the Conference Opening. We would also like to thank the IEE and IEEE for sponsoring our distinguished keynote speakers, Dr M. Kennedy and Dr M. Begovic respectively, to the Conference. Dr Kennedy and Dr Begovic will address delegates on how information technology can impact the operation, control and protection of electrical networks - topics which are truly befitting the Conference theme.

We would also like to express our appreciation to members of the International Advisory Committee who were instrumental in the conference organization. We thank all authors, session chairpersons and delegates for their support, and wish all of you a successful, stimulating and productive meeting and a pleasant stay in Singapore. To our supporters in the utility, equipment manufacturing and marketing industries, our sincere thanks for sponsoring some of the conference events, for placing the eye-catching advertisements in the souvenir magazine and for taking part in the exhibition displays.

Last but by no means the least, our sincere thanks to our fellow team members on the Organizing Committee and to those colleagues and friends who have been working behind-the-scenes. Without their unfailing cooperation and hard work, the event would simply not have been possible.



SS Choi
Chair, Organizing Committee



SC Soh
Co-Chair, Organizing Committee

Organizing Committee

<i>Chairman</i>	SS Choi
<i>Co-Chairman</i>	SC Soh
<i>Secretary</i>	L Goel
<i>Technical</i>	YY Wang HB Gooi
<i>Finance</i>	TM Lee Merlin Toh
<i>Publications</i>	CY Teo B Devotta
<i>Logistics</i>	KJ Tseng PL So
<i>Publicity</i>	TW Chan TS Tay
<i>Exhibition/Sponsorships</i>	IW Butt
<i>Technical/Social Visit</i>	AK Lim
<i>Members</i>	MK Foo KW Thian

International Advisory Committee

Australia

MJ Gibbard (*Univ of Adelaide*)
G Ledwich (*Queensland Univ of Tech*)
RE Morrison (*Monash Univ*)

Canada

R Billinton (*Univ of Saskatchewan*)
JW Estey (*IEEE PES President*)
R Findlay (*McMaster Univ*)
P Kundur (*Powertech Labs*)
BT Ooi (*McGill Univ*)

China

YP Chen (*Wuhan Univ of Hydraulic & Electric Engg.*)
ZJ Wang (*Tsinghua Univ*)
ZA Wang (*Xi'an Jiaotong Univ*)
XX Zhou (*EPRI*)

France

D Georges (*Institut National Polytechnique de Grenoble*)

Germany

E Handschin (*Universitat Dortmund*)
D Schroder (*Tech Univ of Munich*)

Hong Kong (SAR)

KP Wong (*HK Polytechnic Univ*)
FF Wu (*Hong Kong Univ*)

India

MV Hariharan (*IIT Bombay*)
M Ramamoorthy (*ERDA*)

Japan

T Hiyama (*Kumamoto Univ*)
Y Ichihara (*Tokyo Electric*)
H Sasaki (*Hiroshima Univ*)
A Yokoyama (*Univ of Tokyo*)

Malaysia

Hussein Bin Ahmad (*Univ Teknologi Malaysia*)

New Zealand

J Arrillaga (*Univ of Canterbury*)

JT Boys (*Univ of Auckland*)

Norway

N Flatabo (*SINTEF Energy Research*)

Singapore

MT Chang (*SquireMech*)

MH Er (*NTU*)

K Kuhan (*Tuas Power*)

AC Liew (*NUS*)

South Africa

R Herman (*Univ of Stellenbosch*)

A Petroianu (*Univ of Cape Town*)

Switzerland

G Andersson (*ETH-Zentrum*)

Thailand

K Karnasuta (*EGAT*)

United Kingdom

AT Johns (*Univ of Bath*)

KL Lo (*Univ of Strathclyde*)

YH Song (*Brunel Univ*)

USA

CC Liu (*Univ of Washington*)

MF McGranaghan (*Electrotek Concepts*)

BD Russell (*Texas A&M Univ*)

BF Wollenberg (*Univ of Minnesota*)

IPEC 2003 Conference Schedule

	Time	Event/Location			
T H U R S D A Y	08.00-08.45	Registration (Level 1, outside Pacific Ballroom 3)			
	09.00-10.00	Opening Ceremony Guest of Honour: Professor Su Guanng (Level 1, Pacific Ballroom 3) Keynote Address <i>Keynote Speaker 1: Dr. Malcolm William Kennedy</i>			
	10.00-10.30	Tea Break (Level 1, Foyer)			
	10.30-11.15	<i>Keynote Speaker 2: Dr. Miroslav M. Begovic</i>			
	11.15-12.30	TA-1 (Ocean 2) Power System Analysis and Stability Enhancement	TA-2 (Ocean 3) Distribution Protection	TA-3 (Ocean 4) Power Quality Improvement	TA-4 (Ocean 5) Neural Networks Applications
	12.30-14.00	Lunch (Level 3, Summer House)			
	14.00-15.30	TP-1 (Ocean 2) System Stability Enhancement	TP-2 (Ocean 3) Partial Discharge	TP-3 (Ocean 4) Harmonics	TP-4 (Ocean 5) Power Converters
	15.30-16.00	Tea Break (Level 2, Foyer)			
	16.00-17.30	TP-5 (Ocean 2) Transient Stability and Voltage Stability	TP-6 (Ocean 3) High Voltage Engineering	TP-7 (Ocean 4) Active Filters	TP-8 (Ocean 5) Power Electronics and Drives
	19.00-22.00	Banquet (Level 1, Pacific Ballroom 3)			
F R I D A Y	09.00-10.30	FA-1 (Ocean 2) Distributed Generation and Energy Management	FA-2 (Ocean 3) Condition Monitoring	FA-3 (Ocean 4) Power Quality Analysis	FA-4 (Ocean 5) Power Electronic Drives and Applications
	10.30-11.00	Tea Break (Level 2, Foyer)			
	11.00-12.30	FA-5 (Ocean 2) New Energy Systems	FA-6 (Ocean 3) Advanced Signal Processing Applications	FA-7 (Ocean 4) Power System Economics	FA-8 (Ocean 5) Modeling of Power System Components
	12.30-14.00	Lunch (Level 3, Summer House)			
	14.00-15.30	FP-1 (Ocean 2) Operations and Control	FP-2 (Ocean 3) Modeling and New Algorithms	FP-3 (Ocean 4) Power Market Models	FP-4 (Ocean 5) Power System Analysis and Modeling
	15.30-16.00	Tea Break (Level 2, Foyer)			
	16.00-17.30	FP-5 (Ocean 2) New Applications to Transmission Systems	FP-6 (Ocean 3) AI and UP-Based Protection	FP-7 (Ocean 4) Network Management and De-regulation	FP-8 (Ocean 5) AI Applications
S A T U R D A Y	09.00-10.30	SA-1 (Ocean 2) Distribution Automation	SA-2 (Ocean 3) High Voltage Analysis	SA-3 (Ocean 4) Power Market and De-regulation	SA-4 (Ocean 5) Power Electronics Applications
	10.30-11.00	Tea Break (Level 2, Foyer)			
	11.00-12.30	SA-5 (Ocean 2)	SA-6 (Ocean 3) System Reliability	SA-7 (Ocean 4) Generation Optimization in Power Market	SA-8 (Ocean 5) Motor Drive Systems
	12.30	Lunch (Level 3, Summer House)			
	13.15 or 14.00	Post Conference Tours (meet outside Pacific Ballroom 3, Level 1)			
		Tuas Power Ltd (Departure at 13.15)		Singapore City Tour (Departure at 14.00)	

Note: Ocean 2, Ocean 3, Ocean 4 & Ocean 5 are located at Level 2

Session TA-1

Power System Analysis and Stability Enhancement

27-Nov-2003 (Thursday)

Ocean 2: 1115-1230

Chairman Prof G. LEDWICH, Queensland University of Technology

TA-1.1 Improvement of Stability Boundary and Damping of a Power System by SVC, P1017

P KUMKRATUG, M H HAQUE, Nanyang Technological University, SINGAPORE

TA-1.2 Power System Stability Improvement Using Superconducting Magnetic Energy Storage Unit, P2251

A ABU-SIADA, W B LAWRANCE, W W L KEERTHIPALA, Curtin University of Technology, AUSTRALIA

TA-1.3 Small Signal and Transient Stability of Power Systems with FACTS devices: Modeling, Simulation and Analysis Using SIMULINK, P2003

U P MHASKAR, A M KULKARNI, Indian Institute of Technology Bombay, Powai, INDIA

TA-1.4 Development of SVC Fuzzy-Logic Adaptive Controller for Stability Enhancement of Power Systems, P2042

X YANG, *T S CHUNG, *D Z FANG, Tianjin University, CHINA, *The Hong Kong Polytechnic University, HONG KONG S.A.R.

Session TA-2

Distribution Protection

27-Nov-2003 (Thursday)

Ocean 3: 1115-1230

Chairman Mr P. C. LEE, PowerGrid

TA-2.1 Petri Nets Model Based Fault Section Detection and Diagnosis In Electrical Power Networks, P1019

R BOEL, G JIROVEANU, University of Ghent, BELGIUM

TA-2.2 Characterization of Arcing Fault in Underground Distribution Cable, P1034

W K CHAN, A A MOHD ZIN, M S MAJID, H B AHMAD, Z MUDA, *K L LO, Universiti Teknologi Malaysia, MALAYSIA, *University of Strathclyde, UNITED KINGDOM

TA-2.3 Effect of Overvoltages Performance on LV Side Arrester of Transformer in Distribution Systems, P2007

C YU, P SAKARUNG, *P FUANGFOO, **A TAKKABUTRA, Y CHONGJAREARN, Dhurakijpundit University, THAILAND, *Provincial Electricity Authority (PEA), THAILAND, **Precise Electric Co., Ltd., THAILAND

TA-2.4 Detection of Breaking Conductors on MV Overhead Lines, P2022

K J V RENSBURG, D BIRTWISTLE, Queensland University of Technology, AUSTRALIA

Session TA-3

Power Quality Improvement

27-Nov-2003 (Thursday)

Ocean 4: 1115-1230

Chairman Prof G. CHANG, National Chung Chang University

TA-3.1 Active Filtering Applied to a Line-Commutated Inverter FED Permanent Magnet Wind Generator, P2174

H H TUMBELAKA, C V NAYAR, K TAN, *L J BORLE, Curtin University of Technology, AUSTRALIA,
*The University of Western Australia, AUSTRALIA

TA-3.2 Adaptive Unified Power Quality Conditioner for Improving Power Quality, P2248

L H TEY, P L SO, Y C CHU, Nanyang Technological University, SINGAPORE

TA-3.3 An Efficient Approach for Placement of Active Power Line Conditioners in a Power System for Mitigating Voltage Distortion, P1108

G CHANG, H L WANG, S Y CHU, National Chung Chang University, TAIWAN

TA-3.4 Analysis of Series Voltage Restorer-Load Dynamics, P1002

J LI, S S CHOI, D M VILATHGAMUWA, Nanyang Technological University, SINGAPORE

Session TA-4

Neural Network Applications

27-Nov-2003 (Thursday)

Ocean 5: 1115-1230

Chairman A/Prof B. VENKATESH, Multimedia University

TA-4.1 A Resilient-propagation based Adaptive ANN for Economic Load Scheduling, P2124

B KAR, K K MANDAL, N CHAKRABORTY, Jadavpur University, INDIA

TA-4.2 Development of an Artificial Neural Network Based Relay to Detect Islanding Condition of Embedded Generation, P2204

S K SALMAN, *D J KING, The Robert Gordon University, UNITED KINGDOM, *University of Abertay, UNITED KINGDOM

TA-4.3 Power System Topology Identification Based on Artificial Neural Networks: Problem of Utilization of Theoretical Knowledge, P2253

R LUKOMSKI, K WILKOSZ, Wroclaw University of Technology, POLAND

TA-4.4 Artificial Neural Network Based Dynamic Load Models for Real Time Applications, P1061

D M VILATHGAMUWA, H M WIJEKOON, Nanyang Technological University, SINGAPORE

Session TP-1

System Stability Enhancement

27-Nov-2003 (Thursday)

Ocean 2: 1400-1530

Chairman Prof C. CHEN, Shanghai Jiaotong University

TP-1.1 Studies in System Thevenin Impedance Estimation from Normal Operational Data, P2063

M BAHADORNEJAD, G LEDWICH, Queensland University of Technology, AUSTRALIA

TP-1.2 Transient Stability study of Interconnected Power System of North Oman, P2181

M AL-ABRI, *K ELLITHY, A AL-GHAFFRI, Ministry of Housing, OMAN, *Sultan Qaboos University, OMAN

TP-1.3 Analysis of SVC Contribution to Damping of a Power System Including Induction Motor Effects, P2232

M BANEJAD, G LEDWICH, Queensland University of Technology, AUSTRALIA

TP-1.4 Coordinated Design of Generator Excitation and FACTS for Transient Stability Enhancement Based on the Optimal-Variable-Aim Strategy, P1084

J SU, C CHEN, Shanghai Jiaotong University, CHINA

TP-1.5 Online Transient Stability Instructional Model, P1123

M YEDROUDJ, F J CHAKIB, W L NG, Singapore Polytechnic, SINGAPORE

TP-1.6 Application of Fuzzy Logic to Transient Stability Assessment, P2006

C K BABULAL, P S KANNAN, Thiagarajar College of Engineering, INDIA

Session TP-2

Partial Discharge

27-Nov-2003 (Thursday)

Ocean 3: 1400-1530

Chairman Prof J. M. K. MACALPINE, The Hong Kong Polytechnic University

TP-2.1 Leakage Current Waveform Pattern: A Diagnosis of Surface Discharge Characteristics on The New Formulated TPE Materials Under Tracking Test, P1048

M A M PIAH, A DARUS, A HASSAN, Universiti Teknologi Malaysia, MALAYSIA

TP-2.2 The Effect of Humidity on the Charge/Phase-Angle Patterns of AC Corona Pulses in Air, P2057

J M K MACALPINE, C H ZHANG, The Hong Kong Polytechnic University, HONG KONG S.A.R.

TP-2.3 Prediction of Small-gap Spark Paths in Air, P2056

J M K MACALPINE, L H CHEUNG, P Y NG, W L IP, D H QIU, The Hong Kong Polytechnic University, HONG KONG S.A.R.

TP-2.4 Identification of the Type of Partial Discharge Using Wavelet Technique, P2169

T K CHIA, S BIRLASEKARAN, Nanyang Technological University, SINGAPORE

Session TP-3

Harmonics

27-Nov-2003 (Thursday)

Ocean 4: 1400-1530

Chairman Dr. W. W. L. KEERTHIPALA, Curtin University of Technology

TP-3.1 Criteria for Identification of the Locations of Harmonic Sources in a Power System, P1128

M CEGIELSKI, T PYZALSKI, K WILKOSZ, Wroclaw University of Technology, POLAND

TP-3.2 A Novel Harmonic Injection Scheme in Controlled Rectifier for Power Quality Applications, P2009

A I MASWOOD, Nanyang Technological University, SINGAPORE

TP-3.3 Effect of System Parameters on Harmonic Levels in AC/DC Systems, P2252

A ABU-SIADA, W W L KEERTHIPALA, Curtin University of Technology, AUSTRALIA

TP-3.4 An Investigation of Harmonic Content in a Remote Mine Site, P2025

J G JAMES, *T K SAHA, ENERGEX Limited, AUSTRALIA, *University of Queensland, AUSTRALIA

Session TP-4

Power Converters

27-Nov-2003 (Thursday)

Ocean 5: 1400-1530

Chairman Prof C. S. MOO, National Sun Yat-Sen University

- TP-4.1 A Phase Controlled Variable Inductor Designed for Frequency Stabilization of Current Fed Resonant Converter Power Supplies, P1029**
P HU, S HUSSMANN, University of Auckland, NEW ZEALAND
- TP-4.2 Performance Comparison of A Current Controlled and Line Commutated Inverter in Maximum Wind Energy Conversion, P2100**
K TAN, S ISLAM, H TUMBELAKA, Curtin University of Technology, AUSTRALIA
- TP-4.3 Performance Comparison of Hysteresis Current Control for Single Phase Full Bridge Voltage Source Inverters, P2102**
O SARAMART, V KINNARES, King Mongkut's Institute of Technology Ladkrabang, THAILAND
- TP-4.4 Negative Output Multiple-Lift Push-Pull SC Luo-Converters, P2013**
F L LUO, Nanyang Technological University, SINGAPORE
- TP-4.5 Identification Of Inverter Dynamics With Artificial Intelligence Using Volterra-Type-Equations, P2239**
S HOFMANN, C HINTZ, D SCHROEDER, Technische Universitaet Muenchen, GERMANY
- TP-4.6 New Strategies For HPWM DC-AC Converter for Reduced Losses and THD and Random Switching Thermal Equalization, P2244**
S JEEVANANTHAN, A RAVI KUMAR, *P AJAY D VIMAL RAJ, ** B H S SATHESH, Pondicherry Engineering College, INDIA, *Sri Manakula Vinayagar Engg. College, INDIA, ** A.C. College of Engineering and Technology, INDIA
-

Session TP-5

Transient Stability and Voltage Stability

27-Nov-2003 (Thursday)

Ocean 2: 1600-1730

Chairman Ms Y. O. LEE, PowerGrid

- TP-5.1 Determination of Critical Load at Voltage Collapse Point Using V-I Characteristic, P1001**
M H HAQUE, S CHEN, Nanyang Technological University, SINGAPORE
- TP-5.2 A Relational Database for Transient Stability Assessment, P2255**
D Z FANG, T S CHUNG, K P WONG, *C KAI, The Hong Kong Polytechnic University, HONG KONG S.A.R., *Tianjin University, HONG KONG S.A.R.
- TP-5.3 On-Line Prediction of Voltage Collapse, P2165**
T S SIDHU, V BALAMOUGAN, *M S SACHDEV, University of Western Ontario, CANADA, *University of Saskatchewan, CANADA
- TP-5.4 A Novel PMU Configuration and Application in Real-time Transient Stability Analysis and Emergency Control, P1031**
Z ZHONG, L CHENG, Y SUN, Tsinghua University, CHINA
- TP-5.5 Close-Loop Generator Tripping Scheme Based on Power System Real-Time Perturbed Trajectory, P2011**
J PENG, X LI, Y Z SUN, *H F WANG, Tsinghua University, CHINA, *Bath University, UNITED KINGDOM
- TP-5.6 Development of Voltage Stability Constrained OPF as one of the functions of the Integrated Power System Analysis Package, named IMPACT, P2105**
Y TADA, A KURITA, R TANABE, H OKAMOTO, Tokyo Electric Power Co., JAPAN
-

Session TP-6

High Voltage Engineering

27-Nov-2003 (Thursday)

Ocean 3: 1600-1730

Chairman **Prof A. C. LIEW**, National University of Singapore

TP-6.1 The Discussion and Analysis of Power Supply Schemes of Active Optical-Fiber Electric Transducer, P1018

X HAN, X YIN, Z ZHANG, Y NIE, Huazhong University of Science and Technology, CHINA

TP-6.2 Time Domain Reflectometry Measurements to Determine Characteristic Impedance of Three Phase Medium Voltage Cables, P2085

G MURTAZA HASHMI, S AFTAB QURESHI, University of Engineering and Technology, PAKISTAN

TP-6.3 A Fundamental Study of Pollution Flashover Phenomena, P1091

B SUBBAREDDY, G R NAGABHUSHANA, Indian Institute of Science, Bangalore, INDIA

TP-6.4 A Substation Fault Diagnosis System Based on Case-Based Reasoning and Rule-Based Reasoning, P1101

Y DU, W YU, P ZHANG, Shanghai Jiaotong University, CHINA

TP-6.5 Effect of Line Length on the Radiated Electromagnetic Interference due to Corona on HV Transmission Lines, P2020

S K NAYAK, M J THOMAS, Indian Institute of Science, INDIA

TP-6.6 Transient Response in A Model Transformer for Different Types of Surges and Analysis with Turn Resolution, P2265

B V SUMANGALA, G R NAGABHUSHANA, Indian Institute of Science, INDIA

Session TP-7

Active Filters

27-Nov-2003 (Thursday)

Ocean 4: 1600-1730

Chairman **Prof Y. CHEN**, Wuhan University

TP-7.1 Single-Phase Half-Bridge Active Power Filter (APF) in Conjunction with Uninterruptible Power Supply (UPS), P1052

A F ABDUL GHAFAR, M F SAIDON, A M OMAR, Universiti Teknologi Mara, MALAYSIA

TP-7.2 A Park Transform Based Detecting Method for Reference Current of Active Power Filter Under Distorted Voltage, P2077

H DENG, *B YIN, *Y CHEN, National University of Singapore, SINGAPORE, *Wuhan University, CHINA

TP-7.3 A Study on Three-Phase Active Power Filter Control Strategy Based on Fuzzy Logic and Sliding Mode Control, P2073

Y CHEN, B YIN, J J SUN, H J LIU, Wuhan University, CHINA

TP-7.4 A Study on the Design of the Link between Active Power Filter and Power System, P2064

Y CHEN, J J SUN, K DING, H J LIU, Wuhan University, CHINA

TP-7.5 A Simplified Model for Analysis and Design of A Current Source Active Power Filter, P1107

H P TO, F RAHMAN, C GRANTHAM, The University of New South Wales, AUSTRALIA

Session TP-8

Power Electronics and Drives

27-Nov-2003 (Thursday)

Ocean 5: 1600-1730

Chairman **A/Prof J. B. X. DEVOTTA**, National University of Singapore

TP-8.1 Analysis of A Series Tuned ICPT Pick-Up Using DC Transformer Modeling Methods, P2157

G A COVIC, J E JAMES, J T BOYS, The University of Auckland, NEW ZEALAND

TP-8.2 A New Asymmetric Hybrid Multilevel Inverter, P2125

F L LUO, Y LIU, Nanyang Technological University, SINGAPORE

TP-8.3 Review the Cascade Double Γ -CL Current Source Resonant Inverter, P2113

F L LUO, J H ZHU, Nanyang Technological University, SINGAPORE

TP-8.4 An Extended Kalman Filter Observer for the Direct Torque Controlled Interior Permanent Magnet Synchronous Motor Drive, P2201

Z XU, M F RAHMAN, The University of New South Wales, AUSTRALIA

TP-8.5 Alternative Electrical Machine Solutions for A Free Piston Generator, P1083

W ARSHAD, P THELIN, *T BÄCKSTRÖM, C SADARANGANI, Royal Institute of Technology, SWEDEN, *ABB, Västerås, SWEDEN

TP-8.6 Single-Stage High-Power-Factor Electronic Ballast For Multiple Fluorescent Lamps, P2106

***T F LIN, K S NG, C C LEE, H W CHEN, C S MOO**, *National Cheng Kung University, TAIWAN, National Sun Yat-Sen University Kaosiung, TAIWAN

Session FA-1

Distributed Generation and Energy Management

28-Nov-2003 (Friday)

Ocean 2: 0900-1030

Chairman **Dr P. VENKATESH**, Thiagarajar College of Engineering

FA-1.1 Distributed Generation - Nanogrid Transmission and Control Options, P2084

J BRYAN, S ROUND, R DUKE, University of Canterbury, NEW ZEALAND

FA-1.2 Fuel Cell Power Plant: Modeling and Its Application in an Isolated System, P1010

Y LI, S S CHOI, S RAJAKARUNA, Nanyang Technological University, SINGAPORE

FA-1.3 Analyzing the penetration level of wind and photovoltaic generation technology into the grid system using Efficient Resource Planning Methodology, P1078

N MARICAR, *S Rahman, Kolej Universiti Teknikal Kebangsaan Malaysia, *Virginia Polytechnic and State University, UNITED STATES

FA-1.4 Energy Conservation Using Different Techniques and Efficient Equipment, P2087

G M HASHMI, S A QURESHI, University of Engineering and Technology, PAKISTAN

FA-1.5 An Improved Evolutionary Programming Based Economic Dispatch of Generators with Multiple Fuel Options, Ramp Rate Limits and Prohibited Operating Zones, P2062

P VENKATESH, P S KANNAN, R GNANADASS, *N P PADHY, Thiagarajar College of Engineering, INDIA, *Indian Institute of Technology, INDIA

Session FA-2

Condition Monitoring

28-Nov-2003 (Friday)

Ocean 3: 0900-1030

Chairman A/Prof S. BIRLASEKARAN, Nanyang Technological University

FA-2.1 Transformer Reliability Enhancement Using Online Dissolved Gas Monitoring and Diagnostics, P1110

M ARSHAD, S. ISLAM, Curtin University of Technology, AUSTRALIA

FA-2.2 Diagnostic Testing for the Determination of Quality of Live-Line Ropes, P2024

T K SAHA, *D WICHMANN, University of Queensland, AUSTRALIA, *Royal Australian Navy, AUSTRALIA

FA-2.3 Investigating Some Important Parameters of the PDC Measurement Technique for the Insulation Condition Assessment of Power Transformer, P2026

T K SAHA, P PURKAIT, University of Queensland, AUSTRALIA

FA-2.4 Accelerated Aging Study on Oil-Paper Transformer Insulation Using Relaxation Studies, P2171

H CAO, S BIRLASEKARAN, S S CHOI, Nanyang Technological University, SINGAPORE

FA-2.5 VRML and Its Application in the CSCW Based Expert System of Busbar Trunking System, P2261

R WU, D G CHEN, Y S GENG, W X TONG, Xi'an Jiaotong University, CHINA

FA-2.6 Application of Multi-Sensor Information Fusion Technique in On-Line Monitoring System of Transformers, P2129

W FAN, S TAN, G WANG, W LI, Wuhan University, CHINA

Session FA-3

Power Quality Analysis

28-Nov-2003 (Friday)

Ocean 4: 0900-1030

Chairman Mr K. Y. CHUA, PowerGrid

FA-3.1 An Open Environment for Power Quality Monitoring and Analysis, P1087

X WANG, S CHEN, Nanyang Technological University, SINGAPORE

FA-3.2 IGBT Based Static Transfer Switch, P1053

K C LEE, W W L KEERTHIPALA, S ISLAM, Curtin University of Technology, AUSTRALIA

FA-3.3 Some Suggestions for Power Quality Control in Deregulated Electricity Market Environment, P2034

J WANG, S CHEN, T T LIE, Nanyang Technological University, SINGAPORE

FA-3.4 The Theory and Realization of Integrated Power Quality Conditioner System, P2065

Y CHEN, J J SUN, H J LIU, K DING, Wuhan University, CHINA

FA-3.5 Wavelet-Based Energy Content Method for Classifying and Characterizing Short-Duration Voltage Variations, P1005

H ZHU, S CHEN, Nanyang Technological University, SINGAPORE

FA-3.6 Analysis and Mitigation of Voltage Flickering in Power Systems, P2194

M AL-DABBAGH, R ABDUL JABBAR KHAN, RMIT University, AUSTRALIA

Session FA-4

Power Electronic Drives and Applications

28-Nov-2003 (Friday)

Ocean 5: 0900-1030

Chairman Prof J. FAIZ, University of Tehran

FA-4.1 A Theoretical Study on Permanent Magnet Synchronous Motors for Electric Vehicles, P1049

Y K CHIN, J SOULARD, Royal Institute of Technology, SWEDEN

FA-4.2 Measurements on Slip Ring Units for Characterization of Performance, P1050

F MAGNUSSEN, E NORDLUND, S CHÂTELET, C SADARANGANI, Royal Institute of Technology, SWEDEN

FA-4.3 Negative Output Super-Lift Luo-Converters, P2012

F L LUO, Nanyang Technological University, SINGAPORE

FA-4.4 Sizing of Switched Reluctance Machine for Starter/ Alternator of Hybrid Electric Vehicles, P2179

J FAIZ, K MOAYED-ZADEH, University of Tehran, IRAN

FA-4.5 Application of a Multipurpose Voltage Source Converter (MVSC), P2059

B A MASAMILA, A H NZALI, B M MWINYIWIWA, University of Dar es Salaam, TANZANIA

Session FA-5

New Energy Systems

28-Nov-2003 (Friday)

Ocean 2 1100-1230

Chairman Prof C. ARNOLD, University of Canterbury

FA-5.1 Modelling and Simulation of a Grid Connected Variable Speed Wind Energy Conversion System, P1073

A B RAJU, K CHATTERJEE, B G FERNANDES, Indian Institute of Technology Bombay, Mumbai, INDIA

FA-5.2 Variable-Speed Constant-Frequency Power Generation System with Rotating Converter and Permanent Magnet Excitation System, P2037

C MI, Z SHEN, M DUCUSIN, J O'CONNOR, A FLOWERDAY, B HANSELMAN, University of Michigan - Dearborn, UNITED STATES

FA-5.3 Three-phase Grid-connected Inverters Interface for Alternative Energy Sources with Zero-sequence Component Injection PWM Method, P2078

H DENG, *B YIN, *Y CHEN, **W WANG, National University of Singapore, SINGAPORE, *Wuhan University, CHINA, **Beijing Bureau of Power Supply, CHINA

FA-5.4 Electrical Braking of Grid Connected Wind Energy Conversion Systems (WECS), P2203

K RAJAMBAL, B UMAMAHESWARI, *C CHELLAMUTHU, Anna University, Chennai, INDIA, *Jerusalem College of Engineering, Chennai, INDIA

FA-5.5 New Lightweight Safer Transformer, P2114

R L PROVOST, *T LIM, DuPont Company USA, KOREA, *DuPont Company Singapore, SINGAPORE

FA-5.6 NAS Battery Energy Storage System for Power Quality Support in Malaysia, P2120

A B ISMAIL, M F M SIAM, *H TAKAMI, TNB Research Sdn. Bhd., MALAYSIA, *Tokyo Electric Power Company, JAPAN

Session FA-6

Advanced Signal Processing Applications

28-Nov-2003 (Friday)

Ocean 3: 1100-1230

Chairman A/Prof T. W. CHAN, Nanyang Technological University,

FA-6.1 A Wavelet-Based Method for Identifying Stator Earth Faults on Industrial Generators, P1068

K S YEO, T W CHAN, Nanyang Technological University, SINGAPORE

FA-6.2 The Analyses of Fault Transient Using Wavelet Packet and Its Application to Distinguish a Permanent Fault from a Temporary Fault, P2080

F JIANG, *Z Q BO, D WAIKAR, Y MOHD, Singapore Polytechnic, SINGAPORE, *ALSTOM T&D Protection & Control Ltd, UNITED KINGDOM

FA-6.3 A Study on Wavelet Based De-noise of Traveling Wave Signal for Fault Location, P2155

Y CHEN, J ZHOU, S JIANG, F HU, Wuhan University, CHINA

FA-6.4 A High-Speed Processing Method for Matrix Operation Type Protection Relay on Power System, P2186

X ZUO, H KURIBAYASHI, *H OHNISHI, **K TSUJI, ***T HIYAMA, Kyuki Corporation, JAPAN, *Hokuden Techno Service Co., JAPAN, **Techno Tsuji Ltd, JAPAN, ***Kumamoto University, JAPAN

FA-6.5 A Technique for Improving Performance of Phasor Estimation Algorithms in Presence of Decaying DC Component, P2164

T S SIDHU, X D ZHANG, F ALBASRI, *M S SACHDEV, University of Western Ontario, CANADA, *University of Saskatchewan, CANADA

Session FA-7

Power System Economics

28-Nov-2003 (Friday)

Ocean 4: 1100-1230

Chairman A/Prof M. H. HAQUE, Nanyang Technological University

FA-7.1 Revenue Reconciliation of Transmission Services Using Negative Flow Sharing Approach, P1092

K L LO, M Y HASSAN, University of Strathclyde, UNITED KINGDOM

FA-7.2 Unit Commitment through Fuzzy EP Method, P1132

B VENKATESH, R RANJAN, *H B GOOI, Multimedia University, MALAYSIA, *Nanyang Technological University, SINGAPORE

FA-7.3 Fast Economic Dispatch of Power System Using Hopfield Model, P2168

P JAIN, K R NIAZI, M N I T, Jaipur, INDIA

FA-7.4 Fuzzy Rule-based Asset Management Model for Electricity Transmission Systems - A Tool for Strategic Decision Making, P2188

J J CRISP, Queensland University of Technology, AUSTRALIA

FA-7.5 Cogeneration for Peak Demand Shortage, P2235

S ASHOK, National Institute of Technology, INDIA

FA-7.6 Improved Fast Evolutionary Algorithm for Security Constrained Nonconvex Economic Load Dispatch, P2014

R CHARKRABATI, S CHOUDHURY, P K CHATTOPADHYAY, *N SINHA, G. RAVI, Jadavpur University, Kolkata, INDIA, *National Institute of Technology, INDIA

Session FA-8

Modeling of Power System Components

28-Nov-2003 (Friday)

Ocean 5: 1100-1230

Chairman **Dr Y. TADA**, Tokyo Electric Power Co

FA-8.1 A Novel Account of Iron Loss in the Analysis and Modelling of an Isolated Self-Excited Induction Generator, P1080

D SEYOUM, D MCKINNON, F RAHMAN, C GRANTHAM, H P TO, The University of New South Wales, AUSTRALIA

FA-8.2 A Novel Aggregate Load Model for Studying Power System Dynamic Behavior, P2099

K W LOUIE, J R MARTI, Manitoba HVDC Research Centre, CANADA

FA-8.3 The World Wide WEB Perspectives for Online Power System Engineering Courses, P1106

M YEDROUDJ, P H LIM, F JIANG, D WAIKAR, Singapore Polytechnic, SINGAPORE

FA-8.4 Modelling and Analysis of Singapore Household Power Network for Implementing Broadband Power Line Communications, P1086

H MENG, S CHEN, Y L GUAN, E GUNAWAN, P L SO, T T LIE, Nanyang Technological University, SINGAPORE

Session FP-1

Operations and Control

28-Nov-2003 (Friday)

Ocean 2: 1400-1530

Chairman **Prof T. HIYAMA**, Kumamoto University

FP-1.1 Analysis of Auxiliary Supply System for Large Thermal Power Plant, P2097

R YUAN, H T LIU, C HONG, Y HE, Y CHEN, Wuhan University, CHINA

FP-1.2 Experimental Studies on Multi-Agent based Automatic Generation Control for Isolated Power System, P2184

T HIYAMA, H ESAKI, K MORI, *T FUNABASHI, Kumamoto University, JAPAN, *Meidensha Corporation, JAPAN

FP-1.3 Experimental Studies on Remote Tuning of PSS Parameters Through Computer Network, P2187

T HIYAMA, Y MATSUMOTO, Y HARA, Kumamoto University, JAPAN

FP-1.4 Design of Decentralized Fuzzy Logic Controller for Load Frequency Control, P1007

K ELLITHY, K ELMETWALLY, Sultan Qaboos University, OMAN

FP-1.5 Experience on MAE MOH Power Plant Operation to Damp the Power Oscillation of 500 kV Transmission Line, P1024

B JITMAN, P SONWAI, Electricity Generating Authority of Thailand (EGAT), THAILAND

FP-1.6 Decentralized Variable Structure Control for Asynchronized Synchronous Generator Paralleled with Synchronous Generator, P1118

J SONG, *Y CHEN, *D LIU, Hunan Electric Power Dispatch and Communication Bureau, CHINA, *Wuhan University, CHINA

FP-1.7 Power Flow Control by Sensitivity Based FACTS Controllers, P2212

R SADIKOVIC, G ANDERSSON, Swiss Federal Institute of Technology, SWITZERLAND

Session FP-2

Modeling and New Algorithms

28-Nov-2003 (Friday)

Ocean 3: 1400-1530

Chairman Prof T. S. SIDHU, University of Western Ontario

FP-2.1 A New Method for Transformer Protection Based on the Ratio of Voltage and Fluxional Differential Current, P1032

Y XU, Q LIU, Q YANG, Q LIU, North China Electric Power University, CHINA

FP-2.2 A Novel Transformer Protection Method Based on Transformer Model, P1069

Z WANG, Y XU, Q LIU, Q YANG, North China Electric Power University, CHINA

FP-2.3 A Fault Location Scheme for Series Compensation Lines Based on Traveling Waves and Wavelet Analysis, P2177

Z HUANG, Y CHEN, Wuhan University, CHINA

FP-2.4 DC Offset Effects on Distance Relays - An Analysis Using LES and Mimic Filtering, P2161

T S SIDHU, *H S GILL, **M S SACHDEV, University of Western Ontario, CANADA, *ABB Inc., UNITED STATES, **University of Saskatchewan, CANADA

FP-2.5 Advancements in Relay Modelling, P2162

T S SIDHU, M TAMIJIE SELVY, University of Western Ontario, CANADA

FP-2.6 Magnetic Hysteresis Modeling for Non-Sinusoidal Fields Using Counter Propagation Neural Network, P1100

E FALLAH, J S MOGHANI, A TALEBI, Amirkabir University of Technology, IRAN

Session FP-3

Power Market Models

28-Nov-2003 (Friday)

Ocean 4: 1400-1530

Chairman A/Prof T. T. LIE, Nanyang Technological University

FP-3.1 Bidding Model and Algorithm for AGC Market, P2070

J GE, L Z ZHANG, North China Electric Power University, CHINA

FP-3.2 Electric Power Market Models in Europe, P1003

F C CELIK, Istanbul Bilgi University, TURKEY

FP-3.3 In Preparation for Competition: An Assessment of Market Power in the South African Electricity Industry, P2088

J YAN, *M TSHIPALA, University of Cape Town, SOUTH AFRICA, *Technology Services International, ESKOM, SOUTH AFRICA

FP-3.4 The Condenser Loss Control Monitoring & Maintenance Management of Mae Moh Thermal Power Plant, P2053

K TEOWKUL, P TONGCHIEW, Electricity Generating Authority of Thailand (EGAT), THAILAND

FP-3.5 Forward Contracts with Bilateral Options in Electricity Markets: Theory and Analysis, P2242

T S CHUNG, *S H ZHANG, K P WONG, C W YU, C Y CHUNG, The Hong Kong Polytechnic University, HONG KONG S.A.R., *Shanghai University of Technology, CHINA

FP-3.6 Feasibility Study of Power System Operation in Deregulated Power Market in Japan Based on Work Flow Analysis, P2047

T SUGIHARA, A YOKOYAMA, *T SASAKI, The University of Tokyo, JAPAN, *Kansai Electric Power

Session FP-4

Power System Analysis and Modeling

28-Nov-2003 (Friday)

Ocean 5: 1400-1530

Chairman **Prof J. T. BOYS**, The University of Auckland

FP-4.1 Direct and Linear Regression Models for Demand Forecasting in Distribution Network Planning with Uncertain Information, P2108

P T T BINH, Ho Chi Minh City University of Technology, VIETNAM

FP-4.2 Switching Frequencies in Inductively Coupled Power Transfer Systems, P2156

J T BOYS, G A COVIC, J E JAMES, The University of Auckland, NEW ZEALAND

FP-4.3 Approximate Calculation of Power Distribution Losses, P2230

N HARIYANTO, B HALIMI, *E SRIYATMO, *B HARSONO, P A DAHONO, Bandung Institute of Technology, INDONESIA, *PT. PLN, INDONESIA

FP-4.4 Short-Term Scheduling of a Hydro-Thermal System Using Linear Programming Technique, P2115

N MWAKABUTA, A KYARUZI, University of Dar es Salaam, TANZANIA

FP-4.5 Electromagnetic Field Coupling between Single Phase Power Transmission Line and Telephone Cable, P1070

M ELHIRBAWY, L S JENNINGS, *S M DHALAAN, **W W L KEERTHIPALA, The University of Western Australia, AUSTRALIA, *GOTEVT, SAUDI ARABIA, **Curtin University of Technology, AUSTRALIA

FP-4.6 Data Input and Output for Power System Analysis, P1104

H BENYOUNIS, C ARNOLD, A AWALEH, H BERG, The University of Canterbury, NEW ZEALAND

Session FP-5

New Applications to Transmission Systems

28-Nov-2003 (Friday)

Ocean 2: 1600-1730

Chairman **Dr G. SCHOFFNER**, Siemens AG

FP-5.1 Gas-Insulated Transmission Line - To Solve Transmission Tasks of the Future, P2005

H KOCH, G SCHOFFNER, Siemens AG, GERMANY

FP-5.2 HVDC Thailand-Malaysia Interconnection Investigation based on PSCAD/EMTDC Program, P2126

C YU, *K CHUANGARUN, *A VIRYSIRI, N PETCHARAKS, M RASARAKS, *U JIRAKAJONGCHARIJKUN, Dhurakijpundit University, THAILAND, *Electricity Generating Authority of Thailand (EGAT), THAILAND

FP-5.3 Identify the Needs to Install Interconnectors to the National Electricity Market of Australia, P1036

J COLQUHOUN, Z Y DONG, *D BONES, The University of Queensland, AUSTRALIA, *National Electricity Market Management Company Ltd, AUSTRALIA

FP-5.4 FACTS Controllers for Improvement of Transient Stability, P2200

B V SANKER RAM, N R DOLA, G T RAM DAS, JNTU College of Engineering, Hyderabad, INDIA

FP-5.5 Damping of Inter-Area Oscillations Using SSSC, P1045

J CHEN, T T LIE, D M VILATHGAMUWA, Nanyang Technological University, SINGAPORE

FP-5.6 Time Domain Comparisons of Two Linear Models of a Thyristor-Controlled Series Capacitor, P1046

J PERSSON, *L ROUCO, L SÖDER, Royal Institute of Technology, SWEDEN, *Instituto de Investigación Tecnológica IIT, Madrid, SPAIN

Session FP-6

AI and UP-Based Protection

28-Nov-2003 (Friday)

Ocean 3: 1600-1730

Chairman A/Prof C. Y. TEO, Nanyang Technological University

FP-6.1 Design of Microprocessor-Based Self-Adaptive Inverse-Time Relay, P1054

B SONG, Y L CHEN, X XIANG, Nanjing Automation Research Institute, CHINA

FP-6.2 Design and Implementation of ANN-Based Fault Locator for EHV Transmission Lines, P1079

M JOORABIAN, S M A TALEGHANI ASL, M MONADI, S A MARASHI, Shahid Chamran University, IRAN

FP-6.3 A Simple Integrated Microcontroller Based Scheme for Alternator Protection, P2116

K B DAS, D GHOSH, D DASGUPTA, B. E. College (D. U.) INDIA

FP-6.4 The New Software Design Method to Make Programmable Digital Relay, P2142

Y LI, Q X YANG, B YU, S XIAO, North China Electric Power University, CHINA

FP-6.5 A New Phase Selector Based On Current and Voltage Sequence Components and Fuzzy Logic, P2038

T ZHENG, W S LIU, T S BI, C Y LU, North China Electric Power University, CHINA

Session FP-7

Network Management and De-regulation

28-Nov-2003 (Friday)

Ocean 4: 1600-1730

Chairman Dr T. K. SAHA, The University of Queensland

FP-7.1 Transmission Tariff Formulation in Indian Context, P2207

K K MANDAL, B KAR, J ROY, N CHAKRABORTY, Jadavpur University, INDIA

FP-7.2 Support Vector Machine Based Electricity Price Forecasting For Electricity Markets Utilising Projected Assessment of System Adequacy Data, P2195

D C SAMSOM, T DOWNS, T K SAHA, University of Queensland, AUSTRALIA

FP-7.3 Pareto Optimization based Active and Reactive Power Management for Transmission System Operators, P1119

A SCHMITT, J VERSTEGE, University of Wuppertal, GERMANY

FP-7.4 Loss Allocation Methods for Different Power Market Models, P2071

Z LIU, H Z CHENG, Shanghai Jiaotong University, CHINA

FP-7.5 Strategic Energy Procurement: Effective Energy Management in Multi-Tenanted Premises, P2182

K JUNG, M LIM, *B LAU, *P H NEO, **N T T NEO, Quality Power Management Pte Ltd, SINGAPORE, *Tuas Power Supply Pte Ltd, SINGAPORE, **Singapore Turf Club, SINGAPORE

FP-7.6 Bootstrap Feature Extraction Technique for Neural Network Based ATC Assessment, P1129

M M OTHMAN, A MOHAMED, A HUSSEIN, Universiti Teknologi Mara, MALAYSIA

Session FP-8

AI Applications

28-Nov-2003 (Friday)

Ocean 5: 1600-1730

Chairman A/Prof G. SHRESTHA, Nanyang Technological University

FP-8.1 Using Ant Colony System Algorithm to Solve Dynamic Transmission Network Expansion Planning, P2048

H ZHAI, H Z CHENG, *X WANG, Shanghai Jiaotong University, CHINA, *Jiangsu Electric Power Company, CHINA

FP-8.2 Determining Representative Load Curves for Consumer's Classes by Cluster Analysis, P2068

P T T BINH, T Q D KHOA, Ho Chi Minh City University of Technology, VIETNAM

FP-8.3 Seasonally Adjusted Voltage Estimation On LV Distribution Networks, P2128

E FOLEY, S DURYEA, *S ISLAM, Western Power Corporation, AUSTRALIA, *Curtin University of Technology, AUSTRALIA

FP-8.4 The Data Reconfiguration Technology in the Management Information System for the Complicated Power System, P2131

B ZHOU, S H RUAN, Sichuan University, CHINA

FP-8.5 Load Flow Method Using Genetic Algorithm, P1033

C W LOK, A A MOHD. ZIN, M W MUSTAFA, *K L LO, Universiti Teknologi Malaysia, MALAYSIA, *University of Strathclyde, UNITED KINGDOM

FP-8.6 Genetic Fuzzy Approach to Transmission Planning Considering Load and Generation Uncertainties, P1065

G SHRESTHA, J FONSEKA, Nanyang Technological University, SINGAPORE

Session SA-1

Distribution Automation

29-Nov-2003 (Saturday)

Ocean 2: 0900-1030

Chairman A/Prof. P. L. SO, Nanyang Technological University

SA-1.1 Enhancement of Load Balancing in Electrical Distribution Networks using Artificial Neural Networks, P1071

M KASHEM, *V GANAPATHY, M NEGNEVITSKY, University of Tasmania, AUSTRALIA, *Monash University Malaysia, MALAYSIA

SA-1.2 Research on Case-based Reasoning ICAD System for Relay Circuit, P1075

G ZHANG, Y GENG, D G CHEN, J WANG, Xi'an Jiaotong University, CHINA

SA-1.3 A Distributed Power System Fault Diagnosis System Based on Recorded Fault Datum, P1099

Y DU, P ZHANG, W YU, Shanghai Jiaotong University, CHINA

SA-1.4 The Design of the Channel Capacity for Distribution Automation Systems, P2132

S H RUAN, B ZHOU, Sichuan University, CHINA

SA-1.5 Distribution Network Reconfiguration - A Case Study, P2231

E SRIYATMO, B HARSONO, *P A DAHONO, *A RIYADI, *N HARIYANTO, PT PLN, INDONESIA,
*Bandung Institute of Technology, INDONESIA

SA-1.6 Evaluation of MAC Protocols for Broadband PLC Networks, P2214

Y H MA, P L SO, Y L GUAN, E GUNAWAN, K Y SEE, S CHEN, T T LIE, Nanyang Technological
University, SINGAPORE

Session SA-2

High Voltage Analysis

29-Nov-2003 (Saturday)

Ocean 3: 0900-1030

Chairman A/Prof Y. L. TAN, Nanyang Technological University

SA-2.1 A Study of Potential Distribution on Clean and Polluted Insulators, P1035

B SUBBAREDDY, G R NAGABHUSHANA, Indian Institute of Science, Bangalore, INDIA

SA-2.2 Lightning Impulse Time Parameters Determination Using Moving Average Method for Digitally Measured Record, P2021

S SATO, T HARADA, Utsunomiya University, JAPAN

SA-2.3 Simulation and Analysis of Mechanism Faults of High Voltage Circuit Breaker Based on Adams, P2260

X H WANG, M Z RONG, W YANG, Xi'an Jiaotong University, CHINA

SA-2.4 Finite Difference Analysis on High Voltage End Windings of Electrical Machines, P2263

Y L TAN, Z X SHEN, L T POH, I S IE, Nanyang Technological University, SINGAPORE

SA-2.5 Electric Field Distribution in Cable Terminations Based on the Finite Difference Method, P2264

Y L TAN, Z X SHEN, I S IE, L T POH, Nanyang Technological University, SINGAPORE

Session SA-3

Power Market and De-regulation

29-Nov-2003 (Saturday)

Ocean 4: 0900-1030

Chairman Dr T. S. CHUNG, The Hong Kong Polytechnic University

SA-3.1 Comparisons of Two Competitive Mechanisms SMP and PAB in the Perfect Competition and the Monopoly Markets, P2135

Y WANG, L Z ZHANG, Y YANG, North China Electric Power University, CHINA

SA-3.2 Unifying Software Processes for Deregulated Energy Markets - A Practitioner's Perspective, P2163

V FILIPOVIC-GLEDJA, *H S GILL, ABB Inc, UNITED STATES, *ABB Inc., UNITED STATES

SA-3.3 Nodal Price and Nodal Reliability in a Deregulated Composite System, P2167

P WANG, Y DING, Nanyang Technological University, SINGAPORE

SA-3.4 Buyer's Bidding Strategies Based on the Theory of Static Games of Incomplete Information, P2234

D DUAN, J LIU, Sichuan University, CHINA

SA-3.5 Unified Portfolio Analysis for Power Generation, Delivery, and Trading, P2052

J CHRISTIAN, Enworkz, UNITED STATES

SA-3.6 Improving Efficiency of Artificial Neural Networks in Electricity Demand Forecasting, P1094
X-B Lu, L-F Sugianto, Monash University, AUSTRALIA

Session SA-4

Power Electronics Applications

29-Nov-2003 (Saturday)

Ocean 5: 0900-1030

Chairman A/Prof K. J. TSENG, Nanyang Technological University

SA-4.1 Introduction of Flat Pickup Cores to an Inductively Coupled Power Transfer System for Fast Moving Optical Sensors, P1013

D KACPRZAK, S HUSSMANN, P HU, University of Auckland, NEW ZEALAND

SA-4.2 Power Efficiency Improvement of A Contactless Power Supply for Moving Sensors Using A Soft Switched Detuning Technique, P1028

S HUSSMANN, P HU, University of Auckland, NEW ZEALAND

SA-4.3 Thermal Analysis - Lumped-circuit Model and Finite Element Analysis, P1067

Y K CHIN, E NORDLUND, *D STATON, Royal Institute of Technology, SWEDEN, *Motor Design Ltd., UNITED KINGDOM

SA-4.4 The Application of Three-Phase Inverter in Low-Volt Grid-Connected Photovoltaic Systems, P2010

M ZHANG, J WU, South China University of Technology, CHINA

SA-4.5 Experimental Test in the Determination of Bearing Currents in Dynamometer, P2039

R ONG, Ballard Power System, UNITED STATES

SA-4.6 Starting Characteristics of Rapid-Start Fluorescent Lamps, P2110

C S MOO, K H LEE, *H C YAN, W M CHEN, K S NG, National Sun Yat-Sen University Kaosiung, TAIWAN, *Fortune Institute of Technology, Chi Shan, TAIWAN

Session SA-6

System Reliability

29-Nov-2003 (Saturday)

Ocean 3: 1100-1230

Chairman Mr M. T. Chang, SquireMech

SA-6.1 Effects of Spinning Reserve Allocation on Load Point Reliability in A Bilateral Power market, P2001

Z SONG, L GOEL, P WANG, Nanyang Technological University, SINGAPORE

SA-6.2 Radial System Reconfiguration to Maximize Reliability, P1127

B VENKATESH, R RANJAN, Multimedia University, MALAYSIA

SA-6.3 Reliability Assessment of Distribution System Based on Discrete-Event System, P2072

Y DING, H Z CHENG, *C CHEN, *F JIANG, *L FANG, Shanghai Jiaotong University, CHINA, *Shanghai Municipal Electric Power Company, CHINA

SA-6.4 Generating System Reliability Evaluation in an Hourly Spot Market, P2104

P A VISWANATH, L GOEL, P WANG, Nanyang Technological University, SINGAPORE

SA-6.5 Reliability Assessment of Distribution Systems, P2224

R GUPTA, *L GOEL, Singapore Polytechnic, SINGAPORE, *Nanyang Technological University,

Session SA-7

Generation Optimization in Power Market

29-Nov-2003 (Saturday)

Ocean 4: 1100-1230

Chairman A/Prof H. B. GOOI, Nanyang Technological University

SA-7.1 Fuzzy Constrained Optimal Power Dispatch for Competitive Electricity and Ancillary Services Markets, P1014

W ONGSAKUL, K CHAYAKULKHEEREE, Asian Institute of Technology, THAILAND

SA-7.2 Research on the Economic Evaluation of the Grid, P1025

H ZHENG, L ZHANG, W TAO, North China Electric Power University, CHINA

SA-7.3 Optimal Generation Scheduling with Demand-Side Bidding, P1060

J BAI, H B GOOI, Nanyang Technological University, SINGAPORE

SA-7.4 Risk Mitigation using Forward Contract in Power Market, P1066

G SHRESTHA, T T LIE, B POKHREL, *S E FLETEN, Nanyang Technological University, SINGAPORE, *Norwegian University of Science and Technology, NORWAY

SA-7.5 A Fuzzy Approach For Dynamic Economic Dispatch Under Uncertain Deregulated Power System, P1098

P ATTAVIRIYANUPAP, H KITA, E TANAKA, J HASEGAWA, Hokkaido University, JAPAN

Session SA-8

Motor Drive Systems

29-Nov-2003 (Saturday)

Ocean 5: 1100-1230

Chairman A/Prof F. L. LUO, Nanyang Technological University

SA-8.1 Comparative Performance Evaluation of Two-phase PWM Inverter Fed Induction Motor Drives with Various Topologies, P1057

J SINTHUSONTHICHAT, R AREEHAMAD, V KINNARES, King Mongkut's Institute of Technology Ladkrabang, THAILAND

SA-8.2 Robust H_{∞} Precision Motion Control System for Linear Motor Direct-Drive XY Table Mechanism, P2119

F L LUO, Z Z LIU, Nanyang Technological University, SINGAPORE

SA-8.3 Novel Soft Switching Inverter for Brushless DC Motor Variable Speed Drives System, P2118

F L LUO, Z Y PAN, Nanyang Technological University, SINGAPORE

SA-8.4 Effect of Complex Voltage Unbalance Factor on the Derating of a Three-phase Induction Motor, P2191

J FAIZ, H EBRAHIMPOUR, University of Tehran, IRAN

SA-8.5 Expansion of Speed Range of Open-loop Controlled Step Motors, P2183

J FAIZ, *M GANDOMKAR, University of Tehran, IRAN, *Islamic Azad University, IRAN

SA-8.6 Identification Of Backlash, Friction And Linear Parameters Of A Nonlinear Drive System, P2238

C HINTZ, S HOFMANN, D SCHROEDER, Technische Universitaet Muenchen, GERMANY

ACTIVE FILTERING APPLIED TO A LINE-COMMUTATED INVERTER FED PERMANENT MAGNET WIND GENERATOR

Hanny H. Tumbelaka, Chem V. Nayar, Kelvin Tan
Curtin University of Technology (CRESTA)
WA, Australia

Lawrence J. Borle
The University of Western Australia
WA, Australia

Abstract

In this paper, the implementation of a shunt active power filter (APF) for compensating reactive and harmonic currents generated by a line-commutated inverter (LCI) in the permanent magnet synchronous generator (PMSG) wind energy conversion systems (WECS) is presented. The system consists of wind turbine and PMSG with a sensor-less MPPT and a LCI to deliver the power to the grid. The filter consists of a three-phase current-controlled voltage source inverter (CC-VSI) with a filter inductance at the ac output and a dc-bus capacitor. The CC-VSI is operated to directly control the ac grid current to be sinusoidal and in phase with the grid voltage. The switching is controlled using ramptime current control, which is based on the concept of zero average current error. The simulation results indicate that the filter is able to handle the reactive and harmonic currents, so that the grid currents are sinusoidal, in phase with the grid voltages and symmetrical. The filter also can operate accurately regarding the wind variation.

Keywords

Active Power Filter, Line-commutated inverter, WECS

1 INTRODUCTION

Permanent magnet synchronous generator (PMSG) wind energy conversion systems (WECS) generally operate in variable-speed variable-frequency mode. In order to achieve optimal power extraction from the wind, a maximum power point tracking (MPPT) controller is implemented. Then, the AC-DC-AC link is used to interconnect the WECS to the grid. Commonly, the link consists of an uncontrolled rectifier and a line-commutated inverter.

As wind speed is constantly varying, the PMSG produces variable-voltage and variable-frequency, which cannot be fed directly to the grid or loads. A three-phase diode rectifier is used to convert the output of the PMSG to dc current. The line-commutated inverter controls the

power flow from the dc reactor to the grid according to the maximum power operating point.

The line-commutated inverter (LCI) is commonly used to transfer power from a dc reactor to the three-phase ac grid [1, 2] because of low cost, simplicity, reliability and availability at high power levels. However, it produces reactive and harmonic currents that could lead to problems for the power system operation. Instead of attempting to modify the LCI topology and control to mitigate the problems, a three-phase shunt Active Power Filter (APF) can be installed between the output inverter and the grid as a practical solution. The combination of a line-commutated SCR inverter with an APF has some benefits compared to other interface options [2].

2 WIND ENERGY CONVERSION SYSTEM (WECS)

The WECS considered in this work consists of a PMSG driven by a fixed pitch wind turbine, a three-phase diode rectifier and a LCI as AC-DC-AC link to the grid as shown in figure 1.

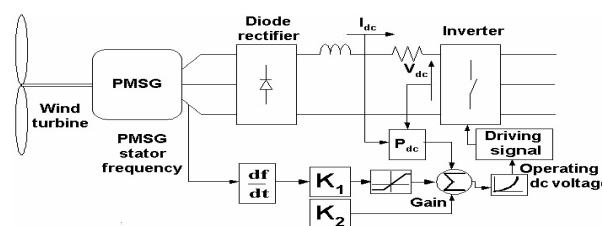


Figure 1 Sensor-less WECS system

A sensor-less control scheme [3] is a simple and robust MPPT system. The sensor-less control system consists of two signal-tracking loops, namely a 'power mapping' loop that is related to the output power from PMSG WECS, and a PMSG frequency derivative loop to give tuning to the first loop. At a given wind speed, the output power at the dc link is used to estimate the optimal dc operating voltage through the 'power-to-voltage mapping' curve. Using the results determined by both loops, the LCI sets its firing angle to generate dc bus/link

voltage and to control the power flow to the grid according to maximum power operating point.

2.1 Wind Driven PMSG Characteristics

The loading characteristic of the PMSG WECS can be easily determined by connecting an adjustable load resistor to the output rectifier unit of the PMSG. Figure 2 shows the calculated corresponding output power of the PMSG (CRESTA-Curtin) for wind speeds ranging from 4 to 12m/sec [3], where the generator maximum power curves show the different operating dc voltages and currents over a range of wind speeds. In order to extract the peak power from the WTG at a given wind speed, the WECS has to match closely to the maximum power curve.

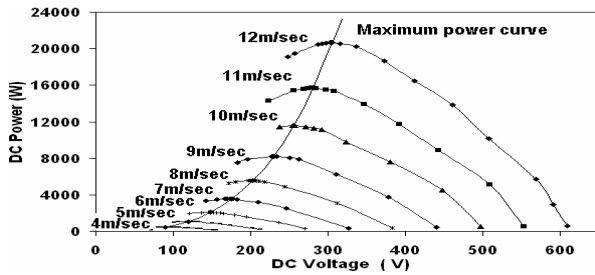


Figure 2 Predicted DC Power characteristics of the WECS

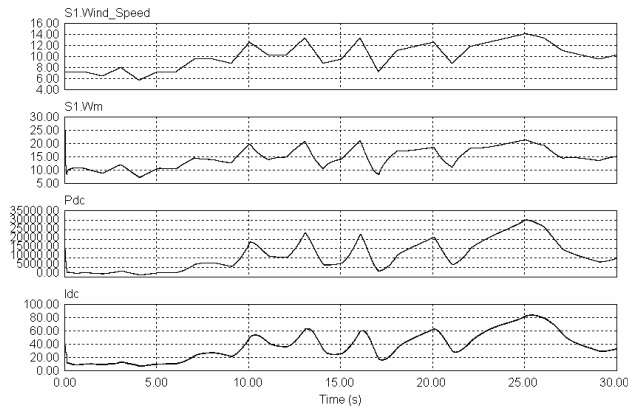


Figure 3 Dynamic conditions of the WECS

The dynamic condition of the WECS due to a random change of wind speed is shown in figure 3. The wind speed time characteristic is a first order reconstruction of continuous wind-speed that based on wind data recorded in ACRE's laboratory in Western Australia with a sampling rate of 1 sample/sec [3]. As the wind speed increases or decreases, the MPPT controller is able to track the maximum power point closely, although the inertia of the turbine-generator and the energy storage elements in the circuit reduce the response speed. From figure 3, the rotor speed, dc power and dc current at the dc reactor can follow closely the wind-speed curve. However, by using a LCI, not only active power but also reactive power and harmonics are delivered to the grid.

3 THE LINE-COMMUTATED SCR INVERTER (LCI)

The design and theoretical analysis of the LCI has been already well documented such as [4]. Basically, the 6-pulse line-commutated converter is a current source inverter (CSI) and consists of a three-phase thyristor or SCR bridge and an inductive filter at dc side. When the firing angle of the thyristor is between 90° and 180° , the bridge circuit operates in the inverter mode.

DC voltage and current of the LCI converter are given by:

$$V_d = \frac{3\sqrt{2}V_L}{2\pi N} [\cos \alpha + \cos (\alpha + \gamma)] \quad (1)$$

$$I_d = \frac{\sqrt{2}V_L}{2NX_T} [\cos \alpha - \cos (\alpha + \gamma)] \quad (2)$$

α = firing angle

γ = commutation angle

X_T = transformer leakage reactance

The LCI is inherently compatible with an ac system, and will naturally commute with the line frequency. However, because of ac-side reactance effects on the commutation process, the LCI has to operate at firing angles less than 180° to guarantee against commutation failure. This requirement on firing angle causes non-unity displacement power factor operation. A notching effect also appears on the ac line voltage during commutation. Another disadvantage is that the line current waveform will be a quasi-square wave with high harmonic content.

4 A THREE-PHASE SHUNT ACTIVE POWER FILTER (APF)

The three-phase shunt active power filter is a three-phase current controlled "voltage-source inverter" (CC-VSI) with a mid-point earthed, split capacitor in the dc bus and inductors in the ac output. It is essentially three independent single-phase inverters with a common dc bus.

Conventionally, a shunt APF is controlled in such a way as to inject harmonic and reactive compensation currents based on calculated reference currents. The injected currents are meant to "cancel" the harmonic and reactive currents drawn by the non-linear loads. However, the reference or desired current to be injected must be determined by extensive calculations with inherent delays, errors and slow transient response. In this scheme (see figure 8), the CC-VSI is operated to directly control the ac grid current rather than its own current. The grid current is sensed and directly controlled to follow symmetrical sinusoidal reference signals, which are in phase with the grid voltage [5, 6]. Hence, by putting the current sensors on the grid side, the grid current is forced to behave as a sinusoidal current source and the grid

appears as a high-impedance circuit for harmonics. By forcing the grid current to be sinusoidal, the APF can automatically provide the harmonic, reactive, negative and zero sequence currents for the LCI, following the basic current summation rule:

$$i_{\text{grid}}(t) = i_{\text{APF}}(t) + i_{\text{inverter(LCI)}}(t) \quad (3)$$

The sinusoidal grid current reference signal is given by:

$$i_{\text{ref}}(t) = k(t) v_{\text{grid-1}}(t) \quad (4)$$

where $v_{\text{grid-1}}(t)$ is the waveform of the fundamental component of the grid voltage, and $k(t)$ is obtained from an outer control loop regulating the CC-VSI dc-bus voltage. This can be accomplished by a simple PI control loop. This is an effective way of determining the required magnitude of active current required, since any mismatch between the required load active current and that being forced by the CC-VSI would result in the necessary corrections to regulate the dc-bus voltage. In the VSI topology used in the APF, the dc-capacitor voltage must be greater than the peak of the ac grid voltage. Controllability is ensured by the proper relative sizing of the inverter filter inductance L_{inv} and the choice of the dc bus voltage so that the two output pwm states (per phase) will always result a corresponding opposite polarity current error signal slopes.

The performance and the effectiveness of the filter are enhanced by the use of the ramp-time current control technique to control the CC-VSI [7]. The principle operation of ramp-time current control is based on the concept of zero average current error (ZACE). In this application, the current error signal is the difference between the actual grid current and the desired/reference grid current waveform. The ramp-time control produces current switching instants, which result in the current error signal crossing zero at intervals of half the desired switching period. Hence the current error signal spends half the time on alternate sides of zero, resulting in an average value of zero, a close following of the reference signal, and a switching period (and hence switching frequency) very close to the desired value.

4.1 The Shunt Active Power Filter And The Line-Commutated Inverter

The shunt type APF acts to eliminate the reactive and harmonic currents produced by non-linear loads from the grid current by injecting compensating currents intended to result in sinusoidal grid current with unity power factor. This filter has been proven to be effective in compensating harmonic current sources [8]. In this case, the LCI is considered as a harmonic current sourcing load because the LCI is a current source inverter (CSI) and produces harmonic and reactive currents to the grid.

During commutation of the LCI, current spikes occur in the grid currents as seen in figure 5. This is because PCC-A and PCC-B are tied together producing a relatively large voltage across each phase line

inductance, resulting in a relatively large di/dt in each of the two phase-currents, with each current moving away from the reference current. Consider the commutation process between SCR A and B as shown in figure 4. During that time, the voltage difference between line A and B at the PCC is zero ($v_{\text{PCC-A}} = v_{\text{PCC-B}}$). Since $v_b > v_a$, a commutating current ($= i_B$) builds up at the outflow of i_A so that,

$$i_A + i_B = I_d \quad (5)$$

$$di_B/dt = -di_A/dt. \quad (6)$$

Applying Kirchoff's current law at PCC, and ignoring dI_d/dt as being negligible, then the rate of change of each current is given by

$$di_{\text{ga}}/dt = di_A/dt + di_{\text{APFa}}/dt \quad (7)$$

$$di_{\text{gb}}/dt = di_B/dt + di_{\text{APFb}}/dt \quad (8)$$

$$di_{\text{gb}}/dt + di_{\text{ga}}/dt = -(di_{\text{APFb}}/dt + di_{\text{APFa}}/dt) \quad (9)$$

where i_A is $i_{\text{inverter(LCI)}}$ phase A and i_B is $i_{\text{inverter(LCI)}}$ phase B, and I_d is dc current.

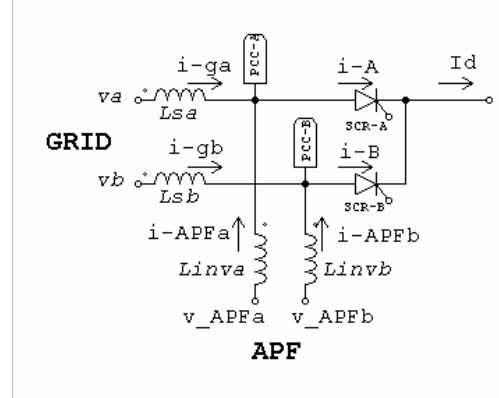


Figure 4 Circuit equivalent during commutation process

The effects of (9) can be seen in the figure 7. The APF is unable to eliminate the current spikes since it cannot decouple PCC-A from PCC-B. The APF attempts to compensate for the larger current error, and returns the current to the reference value within 200 μsec as seen in figure 7. The magnitude and duration of the current spikes is dependant on the size of L_{inv} , the APF dc-bus voltage, and the speed of response of the APF. In this case the APF inductors are roughly half the size of the line inductance (transformer inductance), and the speed of response is less than half a switching period ($< 25 \mu\text{sec}$). Strict controllability is lost during the commutation since the current error signal moves away from zero regardless of switch position. However, as soon as the commutation has finished, controllability is returned, and the APF is able to force the grid current to return to the reference value.

To reduce the spikes, the CC-VSI can be constructed so that its minimum di/dt can exceed the maximum di/dt permitted by the LCI. This can be done by increasing the V_{dc} (the APF dc-bus voltage, which is across the two split capacitors) or decreasing the L_{inv} . However, there is a compromise in the selection of L_{inv} and V_{dc} because decreasing the L_{inv} will increase the high switching

frequency ripple in the ac grid currents. Also it will increase the di/dt of the switches during commutation process because the ac reactances seen by the LCI becomes smaller. Increasing V_{dc} will increase the stress of the switches.

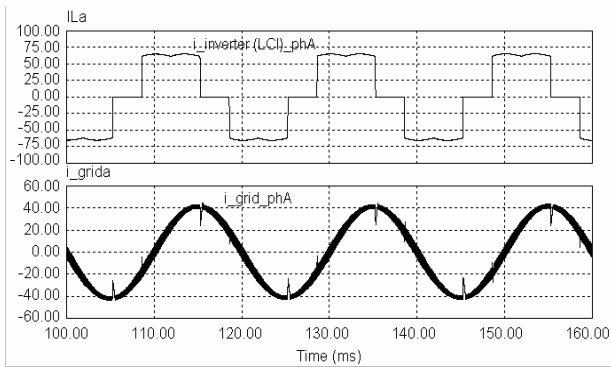


Figure 5 LCI current and grid current - phase A

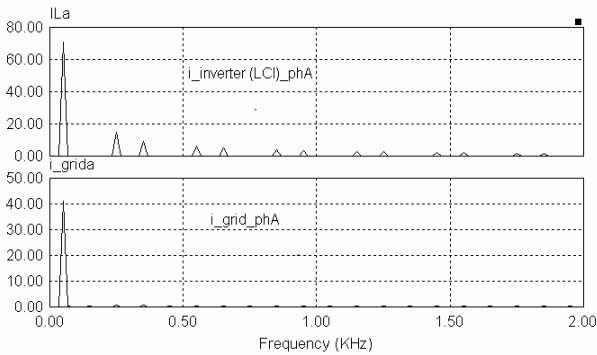


Figure 6 The spectrum of LCI current and grid current - phase A

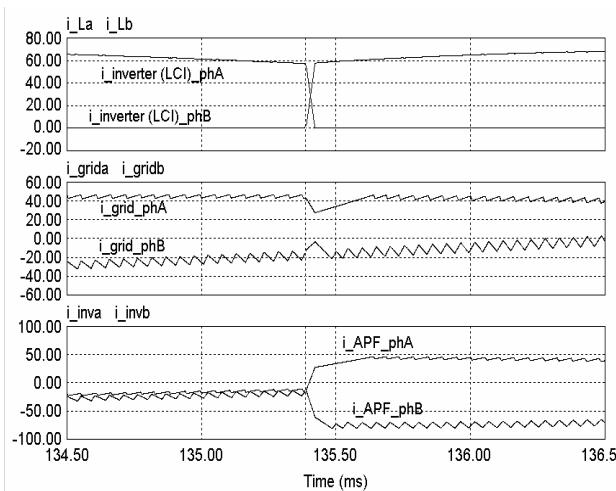


Figure 7 LCI, grid, and APF currents during commutation

5 THE WECS WITH THE SHUNT ACTIVE POWER FILTER

The APF for grid-current waveform control action is much faster than the dynamic behavior of the wind power extraction. The inertia of the turbine-generator also restricts the rotor speed from rapid fluctuation.

Furthermore, the firing angle of the 6-pulses LCI can be updated 6 times in a cycle or every 3.33 msec (for 50 Hz), so that the LCI output can be controlled only at intervals of 3.33 msec. Therefore, the APF (in this case using 20kHz switching frequency) is suitable for WECS with a line-commutated SCR inverter and is able to be coordinated with the MPPT controller.

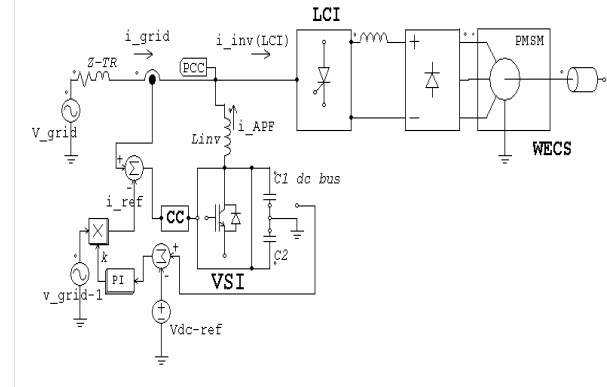


Figure 8 The APF – WECS system configuration

To show a compensation for a PMSG WECS with LCI, a computer simulation was conducted to test the system configuration shown in figure 8. It consists of a 20 kW PMSG WECS connected to the grid through a 40 kVA transformer with $Z_{TR} = 5\%$. The three-phase shunt active power filter (APF) is connected between the transformer grid and the LCI. In this case, the capacitor voltage at the APF dc bus is 800 V and the filter inductance (L_{inv}) = 2.3% on a kVA base of 40 kVA and a V base of 400 V_{rms} .

The simulation results of dynamic and steady state condition are presented in figure 9 to 12. Figure 9 shows that the three-phase shunt APF is able to eliminate the reactive and harmonic currents significantly. The grid current is sinusoidal with small commutation spikes and high switching frequency ripple (because the system is without a high switching frequency filter). However, from the current spectrum (up to 2 kHz) in figure 6, the spikes and the ripple do not contribute significantly to the low order harmonics. The grid currents are also symmetrical in magnitude and phase. From figure 10, it can be seen that the phase angle is 180° of the grid voltage, so that the power flows to the grid.

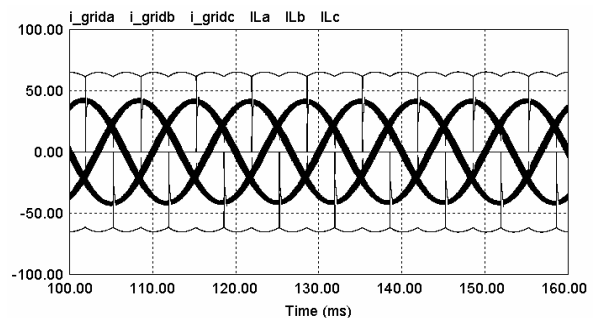


Figure 9 Filtering result under steady state, three-phase LCI and grid currents

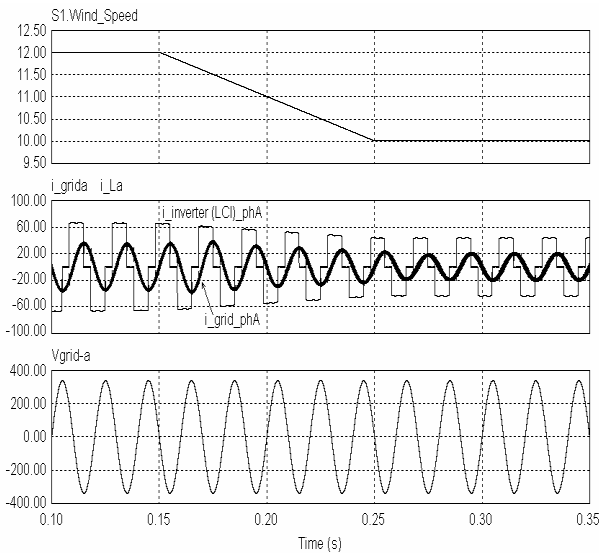


Figure 10 Filtering results under wind-speed changing

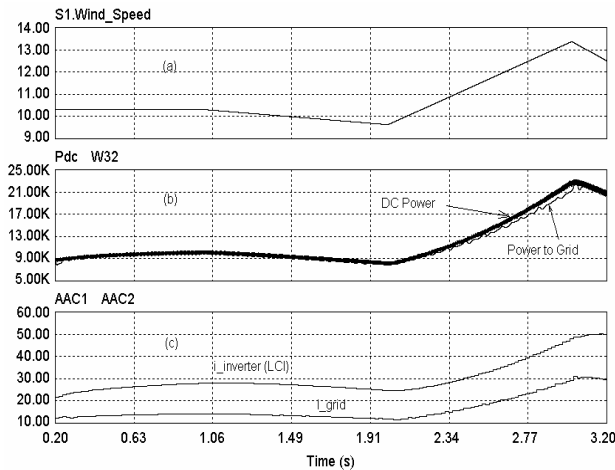


Figure 11 (a) Wind speed (b) Power flow (c) LCI and grid currents (rms value)

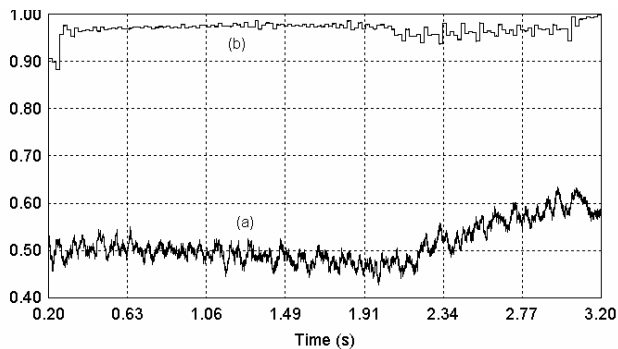


Figure 12 Total power factor (a) output LCI (b) at the grid

Furthermore, the APF has to be operated in dynamic condition because the wind speed is always changing randomly and the power flow as well, as shown before in figure 3. If the wind speed changes from 12 m/sec to 10 m/sec within 0.1 sec, the LCI current also changes in magnitude and phase. The APF is able to operate accurately so that the grid current is always sinusoidal

and at 180° phase to the grid voltage. Its magnitude corresponds to the active power delivered to the grid.

From figure 11, it is shown that the grid rms current after compensation is reduced significantly. The output rms current from the LCI is high because it contains reactive and harmonic components. Although the rms currents decrease, the active power filter does not affect the power flow. The active power delivered to the grid is similar to the dc power produced by PMSG through an uncontrolled rectifier. The small difference is related to the losses. The total power factor after compensation is nearly unity (figure 12-b). While the total power factor of the LCI output is very low, especially when the wind speed is low and the available power is low. The total power factor is calculated from:

$$PF = \frac{I_1}{I_{rms}} \cos \alpha \quad (10)$$

where I_1 is the fundamental current.

6 CONCLUSION

This paper proposes the implementation of a three-phase active power filter to a line-commutated inverter fed PMSG WECS. The APF is operated to directly control the ac grid current to be sinusoidal and in phase with the grid voltage. From the simulation results, this system can compensate the reactive and harmonic currents generated by the LCI and provide nearly unity power factor operation, because there is still spikes and high switching frequency ripple. The APF can handle the dynamic condition due to wind speed variation and the LCI operation.

7 REFERENCES

1. Naik, R. and N. Mohan. A Novel Grid Interface for Photovoltaic, Wind-Electric, and Fuel-Cell Systems with a Controllable Power Factor of Operation. in IEEE - Applied Power Electronics Conference. 1995: IEEE.
2. Chen, Z. and E. Spooner, Grid Interface Options for Variable-speed, Permanent-magnet Generators. IEE Proc. Elect. Power Appl., 1998. 145(4): p. 273-283.
3. Tan, K. and S. Islam, Mechanical Sensor-less Robust Control of Wind Turbine Driven Permanent Magnet Synchronous Generator for Maximum Power Operation. International Journal of Renewable Energy Engineering, 2001. 3(3): p. 379-384.
4. Arrillaga, J., High Voltage Direct Current Transmission, ed. A. Wright. 1983: Peter Peregrinus Ltd. 245.
5. Tumbelaka, H.H., L.J. Borle, and C.V. Nayar. Application of A Shunt Active Power Filter to Compensate Multiple Non-linear Loads. in Australasian Universities Power Engineering

Conference (AUPEC). 2002. Melbourne, Australia: ACPE.

6. H.L.Jou, Performance Comparison of the Three-phase Active-Power Filter Algorithms. IEE Proc. Gener. Trans. Distrib., 1995. 142(6): p. 646 - 652.
7. Borle, L.J., Zero Average Current Error Control Methods for Bidirectional AC-DC Converters (PhD Thesis), in School of Electrical and Computer Engineering. 1999, Curtin University of Technology: Perth, Western Australia. p. 315.
8. Peng, F.Z., Application Issues of Active Power Filters, in IEEE Industry Applications Magazine. 1998. p. 21-30.