

666.1.031.2: 536.24

• • , • • , « »  
 • • , , « »

The specific features of bathing type glass furnaces operation connected with destruction of a fire-resistant laying during its interacting with melt of glass melt are observed. The research technique is offered and the statement of problem for research of a thermal condition of a fence using a heat insulation and the air cooling is formulated. This research technique considers the dynamics of the corrosion destruction of refractories of a glass furnace basin.

[1, 2],

20 %,

[3, 4, 5].

[1, 2, 5].

[1, 2, 5, 6, 7].

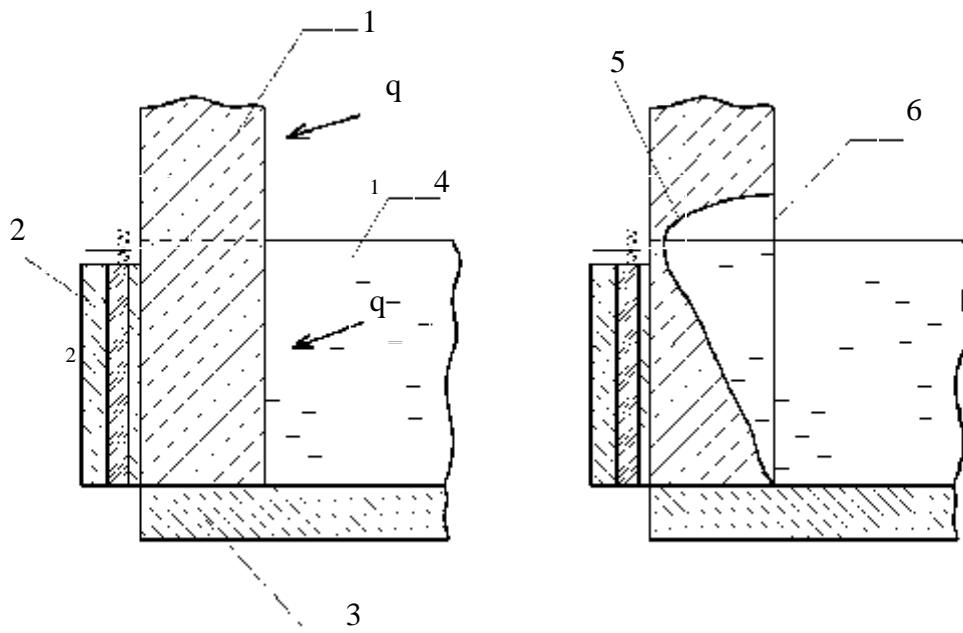
[1, 8].

[1, 8].

[3, 5, 7]

[8].

[4, 5]



— ( ) ; ( ) ; 3 — ;  
 1 — ; 2 — ; 3 — ;  
 4 — ; 5 — ; 6 —

: q —  
 , / <sup>2</sup>; q —  
 , / <sup>2</sup>, 1, 2 —

:

$$\frac{\partial}{\partial x} \left[ y(t) \frac{\partial t}{\partial x} \right] + \frac{\partial}{\partial y} \left[ x(t) \frac{\partial t}{\partial y} \right] = c(t) \dots (t) \frac{\partial t}{\partial \ddagger} \quad (1)$$

$$t = f(x, y, \tau)$$

$$q = f(x, y, \tau)$$

$$\alpha(x, y, \tau, t) (t - \tau) = \lambda(t) \frac{\partial t}{\partial \ddagger}$$

(1)

W,

$$W = dL / d\ddagger, \quad (2)$$

L -

d\ddagger

$$dL = W d\ddagger, \quad (3)$$

$$T = \int_0^L dL / W(L). \quad (4)$$

: L -

[3, 4, 9]:

$$W = e^{(A^* - B/t_B^*)}, \quad (5)$$

$$A^* = A \ln 10, \quad B^* = B \ln 10 - , \quad t_B^* = t_B + 273$$

,  $t_B$

$A^*$   $B^*$

[3, 4, 9].

$t_B$

),

$t_B$

$q$

[5].

$q$

[10],

1 2

$$q = \frac{t_1 - t_2}{1/r_1 + u/\} + 1/r_2} \quad (6)$$

$t_1$   $t_2$

,  $\delta$ ,  $\lambda$

[11],

$u_i / \}_i$

:

$$q = \frac{t_1 - t_2}{\frac{1}{r_1} + \left( \sum_{i=1}^n \frac{u_i}{\}_i + \frac{u}{\} \right) + \frac{1}{r_2}} \quad (7)$$

$t$  ,

$q$  , (7) :

$$t - t_2 = q \left( \left( \sum_{i=1}^n \frac{u_i}{\}_i + \frac{u}{\} \right) + \frac{1}{r_2} \right) \quad (8)$$

( ,  $u_i$  ,  $\}_i$ ),

[12].

**: 1.** . . . . .  
 . - : , 1997. - 288 . **2.** . . . . .  
 . - : , 1990. - 143 . **3.** . . . . .  
 . // . - 1991.  
 - 12. - . 12 - 14. **4.** . . . . .  
 . // .  
 - , - 1984. - . 8 - 17. **5.** . . . . .  
 , 1962. - 245 . **6.** . . . . .  
 . // . - 2000. - 6. - . 6 - 8. **7.** . . . . .  
 . . . . .  
 // .  
 . - 2004. - 2. - . 22 - 27. **8.** . . . . .  
 . // .  
 - 2000. - 2. - 8 - 9. **9.** . . . . .  
 . // . - 1992. - 6.  
 - 14 - 15. **10.** . . . . .  
 . - : , 1977. - 344 .  
**11.** . . . . .  
 . // « » « i , i  
 i i » . - « » , 2003. - 11. - . 73 - 78. **12.** . . . . .  
 . . . . .  
 . // .  
 . - 2005. - 3/2 (15). - . 115 - 121.

29.10.07