

## PDF hosted at the Radboud Repository of the Radboud University Nijmegen

The following full text is a publisher's version.

For additional information about this publication click this link.

<http://hdl.handle.net/2066/72171>

Please be advised that this information was generated on 2017-12-06 and may be subject to change.

## Quantum resistance metrology in graphene

A. J. M. Giesbers, G. Rietveld, E. Houtzager, U. Zeitler, R. Yang et al.

Citation: *Appl. Phys. Lett.* **93**, 222109 (2008); doi: 10.1063/1.3043426

View online: <http://dx.doi.org/10.1063/1.3043426>

View Table of Contents: <http://apl.aip.org/resource/1/APPLAB/v93/i22>

Published by the [American Institute of Physics](#).

---

### Related Articles

Exact results for finite quantum Hall systems of electrons at filling factor one: Disk geometry  
*J. Math. Phys.* **52**, 122105 (2011)

Quantum Hall effect on centimeter scale chemical vapor deposited graphene films  
*Appl. Phys. Lett.* **99**, 232110 (2011)

Quantum Hall-like effect in gated four-terminal graphene devices without magnetic field  
*Appl. Phys. Lett.* **99**, 222101 (2011)

Thermoelectric effect in high mobility single layer epitaxial graphene  
*Appl. Phys. Lett.* **99**, 133102 (2011)

Magnetotransport in a wide parabolic well superimposed with a superlattice  
*J. Appl. Phys.* **109**, 102403 (2011)

---

### Additional information on *Appl. Phys. Lett.*

Journal Homepage: <http://apl.aip.org/>

Journal Information: [http://apl.aip.org/about/about\\_the\\_journal](http://apl.aip.org/about/about_the_journal)

Top downloads: [http://apl.aip.org/features/most\\_downloaded](http://apl.aip.org/features/most_downloaded)

Information for Authors: <http://apl.aip.org/authors>

### ADVERTISEMENT

**AIP**Advances

*Submit Now*

**Explore AIP's new  
open-access journal**

- **Article-level metrics  
now available**
- **Join the conversation!  
Rate & comment on articles**

## Quantum resistance metrology in graphene

A. J. M. Giesbers,<sup>1,a)</sup> G. Rietveld,<sup>2</sup> E. Houtzager,<sup>2</sup> U. Zeidler,<sup>1,b)</sup> R. Yang,<sup>3</sup> K. S. Novoselov,<sup>3</sup> A. K. Geim,<sup>3</sup> and J. C. Maan<sup>1</sup>

<sup>1</sup>High Field Magnet Laboratory, Institute for Molecules and Materials, Radboud University Nijmegen, Toernooiveld 7, 6525 ED Nijmegen, The Netherlands

<sup>2</sup>NMi Van Swinden Laboratorium BV, Thijsseweg 11, 2629 JA Delft, The Netherlands

<sup>3</sup>Department of Physics, University of Manchester, M13 9PL Manchester, United Kingdom

(Received 22 October 2008; accepted 14 November 2008; published online 5 December 2008)

We performed a metrological characterization of the quantum Hall resistance in a 1  $\mu\text{m}$  wide graphene Hall bar. The longitudinal resistivity in the center of the  $\nu = \pm 2$  quantum Hall plateaus vanishes within the measurement noise of 20 m $\Omega$  up to 2  $\mu\text{A}$ . Our results show that the quantization of these plateaus is within the experimental uncertainty (15 ppm for 1.5  $\mu\text{A}$  current) equal to that in conventional semiconductors. The principal limitation of the present experiments is the relatively high contact resistances in the quantum Hall regime, leading to a significantly increased noise across the voltage contacts and a heating of the sample when a high current is applied. © 2008 American Institute of Physics. [DOI: 10.1063/1.3043426]

The Hall resistance in two-dimensional electron systems (2DESs) is quantized in terms of natural constants only,  $R_H = h/ie^2$  with  $i$  an integer number.<sup>1</sup> Due to its high accuracy and reproducibility, this quantized Hall resistance in conventional 2DESs is nowadays used as a universal resistance standard.<sup>2</sup>

Recently a new type of half-integer quantum Hall effect<sup>3,4</sup> was found in graphene, the purely two-dimensional form of carbon.<sup>5</sup> Its unique electronic properties<sup>6</sup> (mimicking the behavior of charged chiral Dirac fermions<sup>7,8</sup>) allow the observation of a quantized Hall resistance up to room temperature,<sup>9,10</sup> making graphene a promising candidate for a high-temperature quantum resistance standard. Although the quantized resistance in graphene around the  $\nu = 2$  plateau is generally believed to be equal to  $h/2e^2$ , up to now, it has not been shown to meet a metrological standard. In this letter, we present results on the metrological characterization of the quantum Hall resistance in graphene. In particular, we will address the present accuracy of quantization (15 ppm) and the experimental conditions limiting this accuracy.

Our sample consists of a graphene Hall bar on a Si/SiO<sub>2</sub> substrate forming a charge-tunable ambipolar field-effect transistor (A-FET), where the carrier concentration can be tuned with a back-gate voltage  $V_g$ .<sup>11</sup> In order to remove most of the surface dopants that make graphene generally strongly hole doped and limit its mobility, we annealed the sample *in situ* for several hours at 380 K prior to cooling it down slowly ( $\Delta T/\Delta t < 3$  K/min) to the base temperature (0.35 K) of a top-loading <sup>3</sup>He-system equipped with a 15 T superconducting magnet. After annealing, the charge neutrality point in the A-FET was situated at 5 V and the sample displayed a (low-temperature) mobility  $\mu = 0.8$  m<sup>2</sup>(V s)<sup>-1</sup>.

We performed standard dc resistance measurements using a Keithley 263 current source and two HP3458a multi-meters or, for the most sensitive longitudinal resistance measurements, an EM N11 battery-operated nanovolt meter. A low-pass LC filter at the current-source output protects the

sample from large voltage peaks during current reversal. Special care was taken to achieve high leakage resistance of the wiring in the insert ( $R_{\text{leak}} > 10^{13}$   $\Omega$ ). The high precision measurements were performed with a cryogenic current comparator (CCC) (Ref. 12) using a 100  $\Omega$  transfer resistor, where special attention was devoted to measuring at low currents ( $I_{\text{sd}} = 1.5$   $\mu\text{A}$ ).

Figure 1 shows a typical quantum Hall measurement at  $B = 14$  T and  $T = 0.35$  K with the Hall resistance  $\rho_{xy}$  and the longitudinal resistivity  $\rho_{xx}$  plotted as a function of the carrier concentration  $n$ . Around filling factors  $\nu = \pm 2$ , the device displays well defined flat plateaus in  $\rho_{xy}$  accompanied by zero longitudinal resistivity minima in  $\rho_{xx}$ .

In a next step, we characterize the sample following the metrological guidelines<sup>13</sup> for dc measurements of the quantum Hall resistance, especially making sure that the longitu-

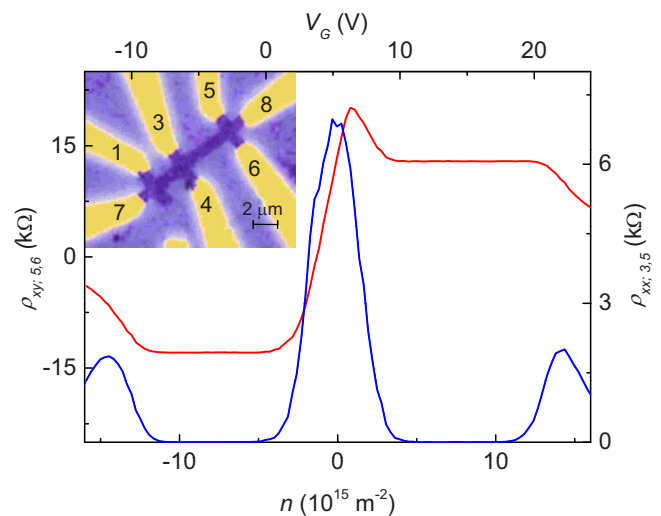


FIG. 1. (Color online) Longitudinal resistivity  $\rho_{xx}$  (blue, measured across contacts 3 and 5) and Hall resistance  $\rho_{xy}$  (red, measured across 5 and 6) at  $B = 14$  T and  $T = 0.35$  K as a function of gate voltage (top x-axis) and the corresponding carrier concentration (bottom x-axis). A bias current  $I = 100$  nA was applied between contacts 7 and 8. The inset shows a false color scanning electron micrograph of the graphene Hall bar with the contact configuration of the device.

<sup>a)</sup>Electronic mail: j.giesbers@science.ru.nl.

<sup>b)</sup>Electronic mail: u.zeidler@science.ru.nl.

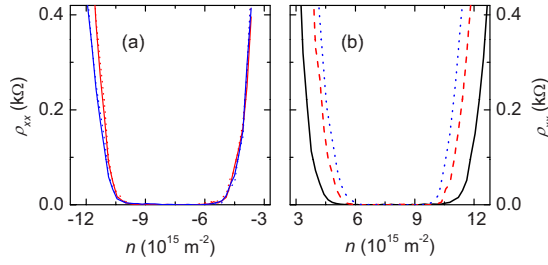


FIG. 2. (Color online) (a) Detailed sweep of  $\rho_{xx}$  for holes on both sides of the sample,  $\rho_{3,5}$  (red) and  $\rho_{4,6}$  (blue), with  $I_{sd}=0.5 \mu\text{A}$  at  $B=14 \text{ T}$  and  $T=0.35 \text{ K}$ . The curves were taken for two different cooldowns (solid and dotted lines). (b) Detailed sweep of  $\rho_{xx,4,6}$  for electrons at different source-drain currents  $I_{sd}=0.5, 1.5, 2.5 \mu\text{A}$  in solid black, dashed red and dotted blue, respectively, at  $B=14 \text{ T}$  and  $T=0.35 \text{ K}$ .

dinal resistivity  $\rho_{xx}$  is well enough zero in order to provide a perfect quantization of  $\rho_{xy}$ .<sup>2</sup> Qualitatively, the absolute error in the quantization of  $\rho_{xy}$  due to a finite  $\rho_{xx}$  can be estimated as  $\Delta\rho_{xy} = -s\rho_{xx}$ , where  $s$  is in the order of unity.<sup>14</sup>

In order to address the quantization conditions in some detail, we investigated the longitudinal resistivities in the  $\nu = \pm 2$  minima along both sides of the sample under different conditions. Figure 2(a) shows that the  $\nu=-2$  resistivity minima for the holes are indeed robustly developed on both sides of the sample for two different cooldowns. A similar robustness of the resistivity minima is also observed for electrons around the  $\nu=2$  minimum.

Figure 2(b) displays the behavior of  $\rho_{xx}$  around  $\nu=2$  for increasing source-drain currents. All minima remain robust and symmetric, and the position of the middle of the minimum does not change neither the holes nor the electrons when the bias current is increased.

A more detailed investigation of the longitudinal resistance in its zero minima is shown in Fig. 3. On the hole side of the sample [Fig. 3(a)], the resistivity in the  $\nu=-2$  minimum remains zero for bias currents up to  $2.5 \mu\text{A}$  within the measurement noise ( $20 \text{ m}\Omega$  for the highest current). At higher currents, the resistance starts to rise significantly above zero, indicating current breakdown of the quantum Hall effect.

For electrons [Fig. 3(b)], even higher currents are attainable. No breakdown is observed for currents as high as  $3.5 \mu\text{A}$ , corresponding to a current density of  $3.5 \text{ A/m}$ . For a  $1 \mu\text{m}$  wide Hall bar, this is a very promising result indeed as

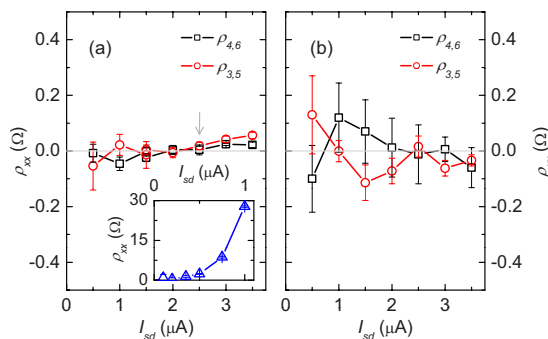


FIG. 3. (Color online) Precise measurement of the zero longitudinal resistance for (a) holes ( $n=-7.68 \times 10^{15} \text{ m}^{-2}$ ) and (b) electrons ( $n=+7.89 \times 10^{15} \text{ m}^{-2}$ ) at  $B=14 \text{ T}$  and  $T=0.35 \text{ K}$ . Current densities of  $2.5 \text{ A/m}$  for holes and  $3.5 \text{ A/m}$  for electrons are achievable in graphene before the quantum Hall effect starts to breakdown (gray arrow). The inset shows the same hole measurements for a poorly annealed sample.

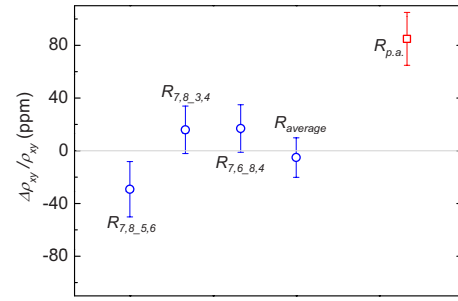


FIG. 4. (Color online) Deviations from quantization in ppm measured with the CCC ( $I_{sd}=1.5 \mu\text{A}$ ) for different contact configurations and their average (blue circles). The red square ( $R_{p,a}$ ) represents the deviation for a poorly annealed sample at a source-drain current of  $0.5 \mu\text{A}$ .

wider samples might therefore easily sustain currents up to several tens of microamperes before breakdown of the quantum Hall effect starts.<sup>15</sup>

As a reference, we also investigated a poorly annealed sample [charge neutrality point at  $9 \text{ V}$ , mobility  $\mu = 0.5 \text{ m}^2 (\text{Vs})^{-1}$  at  $0.35 \text{ K}$ ]. Here the quantum Hall minimum breaks down for considerably smaller currents [see inset of Fig. 3(a)] and already reaches  $30 \Omega$  at a current of  $1 \mu\text{A}$ , making it unsuitable for high precision measurements of the quantum Hall effect.

These characterization measurements presented so far are a promising starting point to anticipate that the Hall resistance in graphene is indeed quantized accurately. From the fact that  $\rho_{xx}$  remains below  $20 \text{ m}\Omega$  for currents up to  $2.5 \mu\text{A}$ , one may expect an accuracy as good as  $1 \text{ ppm}$  for the quantum Hall plateaus in this well annealed sample.

In order to check this expectation, we performed high precision measurements on the quantum Hall plateaus using a CCC with a source-drain current of  $1.5 \mu\text{A}$  (see Fig. 4). Variations measured in the quantum Hall resistance in a many hour CCC measurement (Fig. 4) were more than one order of magnitude larger than the one to two parts in  $10^6$  noise attained in a single  $5 \text{ min}$  CCC measurement run. The fluctuations in the precision measurement are considerably reduced when better voltage contacts are chosen. Still, the variations were two orders of magnitude larger than in a measurement at the same current of an AlGaAs heterostructure.

Combining several measurement runs using different contacts, we achieved an average resistance value of the  $\nu = \pm 2$  quantum Hall plateaus in graphene of  $R_H = 12\,906.34 \pm 0.20 \Omega$ , showing no indication of a different quantization in graphene with respect to conventional 2DESS at the level of  $-5 \pm 15$  parts in  $10^6$ .

For comparison, we also determined the quantization of the poorly annealed sample at a source-drain current of  $0.5 \mu\text{A}$ . The deviation of  $85 \pm 20 \text{ ppm}$  is consistent with an  $s$ -factor of  $-0.48$  due to the finite longitudinal resistance  $\rho_{xx} = 2.3 \Omega$ .

The main limitation in the CCC measurements appeared to be the contact resistance of the voltage contacts.<sup>13</sup> The rather high resistances induce additional measurement noise and fluctuations in the voltage contacts thereby limiting the attainable accuracy of quantum Hall precision experiments. Table I shows the contact resistances for our specific sample in the center of the  $\rho_{xx}$  minima around  $\nu = \pm 2$  in a three terminal setup. They reveal large variations for the different

TABLE I. Contact resistances of the graphene sample, measured in the quantum Hall regime where  $\rho_{xx} \approx 0 \Omega$  (all values for the voltage contacts (1–6) were measured at  $0.1 \mu\text{A}$ , whereas the current contacts 7 and 8 were measured at  $3 \mu\text{A}$ ).

Contact No.	$R_{\text{holes}}$ (k $\Omega$ )	$R_{\text{electrons}}$ (k $\Omega$ )
1	5.6	1.25
3	0.95	6.3
4	0.03	2.7
5	1.4	4.8
6	0.3	1.1
7	1.0	5.5
8	0.3	0.8

contacts and, furthermore, a significant difference between holes ( $n < 0$ ) and electrons ( $n > 0$ ). The latter might be explained by doping effects of the contacts,<sup>16</sup> and the high contact resistance of the contacts could be accounted for by non-ideal coupling between the gold contacts and the graphene sheet.<sup>17</sup> Aside from noise on the voltage contacts, high contact resistances also lead to local heating at the current contacts thereby limiting the maximum breakdown current.

In conclusion, we presented a metrological characterization of the quantum Hall effect in graphene. We showed that the quantum Hall resistance in a  $1 \mu\text{m}$  wide graphene sample is already within  $-5 \pm 15$  ppm, equal to that in conventional AlGaAs and Si metal-oxide-semiconductor field effect transistor samples. A proper annealing of the sample ensuring well pronounced zeroes in  $\rho_{xx}$  and sufficiently high breakdown currents were shown to be crucial to obtain such an accuracy. The main limitation for high accuracy measurements in our experiments is the relatively high contact resistances of the sample used, inducing measurement noise and local heating. Extrapolating our results to samples with lower

resistance contacts for both electrons and holes and using wider samples with high breakdown currents would most probably allow precision measurements of the quantum Hall effect in graphene with an accuracy in the ppb range.

This work was supported by the Stichting Fundamenteel Onderzoek der Materie (FOM) with financial support from the Nederlandse Organisatie voor Wetenschappelijk Onderzoek (NWO).

- <sup>1</sup>K. v. Klitzing, C. Dorda, and M. Pepper, *Phys. Rev. Lett.* **45**, 494 (1980).
- <sup>2</sup>B. Jeckelmann and B. Jeanneret, *Rep. Prog. Phys.* **64**, 1603 (2001).
- <sup>3</sup>K. S. Novoselov, A. K. Geim, S. V. Morozov, D. Jiang, M. I. Katsnelson, I. V. Grigorieva, S. V. Dubonos, and A. A. Firsov, *Nature (London)* **438**, 197 (2005).
- <sup>4</sup>Y. Zhang, Y. Tan, H. L. Stormer, and P. Kim, *Nature (London)* **438**, 201 (2005).
- <sup>5</sup>A. K. Geim and K. S. Novoselov, *Nature Mater.* **6**, 183 (2007).
- <sup>6</sup>A. H. Castro Neto, F. Guinea, N. M. R. Peres, K. S. Novoselov, and A. K. Geim, *Rev. Mod. Phys.* (to be published).
- <sup>7</sup>G. W. Semenoff, *Phys. Rev. Lett.* **53**, 2449 (1984).
- <sup>8</sup>F. D. M. Haldane, *Phys. Rev. Lett.* **61**, 2015 (1988).
- <sup>9</sup>K. S. Novoselov, Z. Jiang, Y. Zhang, S. V. Morozov, H. L. Stormer, U. Zeitler, J. C. Maan, G. S. Boebinger, P. Kim, and A. K. Geim, *Science* **315**, 1379 (2007).
- <sup>10</sup>A. J. M. Giesbers, U. Zeitler, M. I. Katsnelson, L. A. Ponomarenko, T. M. Mohiuddin, and J. C. Maan, *Phys. Rev. Lett.* **99**, 206803 (2007).
- <sup>11</sup>K. S. Novoselov, A. K. Geim, S. V. Morozov, D. Jiang, Y. Zhang, S. V. Dubonos, I. V. Grigorieva, and A. A. Firsov, *Science* **306**, 666 (2004).
- <sup>12</sup>P. Kleinschmidt, J. M. Williams, N. E. Fletcher, and T. J. B. M. Janssen, *IEE Proc.: Sci., Meas. Technol.* **149**, 302 (2002).
- <sup>13</sup>F. Delahaye and B. Jeckelmann, *Metrologia* **40**, 217 (2003).
- <sup>14</sup>M. Furlan, *Phys. Rev. B* **57**, 14818 (1998).
- <sup>15</sup>Graphene samples can intrinsically sustain even higher currents up to several milliamperes, see J. Moser, A. Barreiro, and A. Bachtold, *Appl. Phys. Lett.* **91**, 163513 (2007).
- <sup>16</sup>G. Giovannetti, P. A. Khomyakov, G. Brocks, V. M. Karpan, J. van den Brink, and P. J. Kelly, *Phys. Rev. Lett.* **101**, 026803 (2008).
- <sup>17</sup>E. J. H. Lee, K. Balasubramanian, R. T. Weitz, M. Burghard, and K. Kern, *Nat. Nanotechnol.* **3**, 486 (2008).