



Salih, H. (2018). Counterfactual quantum erasure: Spooky action without entanglement. *Royal Society Open Science*, 5(2), [171250].
<https://doi.org/10.1098/rsos.171250>

Publisher's PDF, also known as Version of record

License (if available):
CC BY

Link to published version (if available):
[10.1098/rsos.171250](https://doi.org/10.1098/rsos.171250)

[Link to publication record in Explore Bristol Research](#)
PDF-document

This is the final published version of the article (version of record). It first appeared online via The Royal Society at <https://doi.org/10.1098/rsos.171250> . Please refer to any applicable terms of use of the publisher.

University of Bristol - Explore Bristol Research

General rights

This document is made available in accordance with publisher policies. Please cite only the published version using the reference above. Full terms of use are available:
<http://www.bristol.ac.uk/pure/about/ebr-terms>



Cite this article: Salih H. 2018 Counterfactual quantum erasure: spooky action without entanglement. *R. Soc. open sci.* **5**: 171250. <http://dx.doi.org/10.1098/rsos.171250>

Received: 28 August 2017

Accepted: 15 January 2018

Subject Category:

Physics

Subject Areas:

quantum physics/quantum information

Keywords:

quantum interference, entanglement, quantum erasure, interaction-free measurement, Zeno effect, counterfactual communication

Author for correspondence:

Hatim Salih

e-mail: salih.hatim@gmail.com

Counterfactual quantum erasure: spooky action without entanglement

Hatim Salih

School of Physics, HH Wills Physics Laboratory, University of Bristol, Tyndall Avenue, Bristol BS8 1TL, United Kingdom

HS, 0000-0003-3854-7813

We combine the eyebrow-raising quantum phenomena of erasure and counterfactuality for the first time, proposing a simple yet unusual quantum eraser: A distant Bob can decide to erase which-path information from Alice's photon, dramatically restoring interference—without previously shared entanglement, and without Alice's photon ever leaving her laboratory.

Quantum erasure was first proposed by Scully & Druhl [1] more than three decades ago, sending shockwaves through the physics community. While early debates on double-slit interference going back to Bohr [2] and Einstein focused on Heisenberg's uncertainty principle as preventing one from learning which slit a particle went through while at the same time observing interference, quantum erasure put the focus on entanglement instead, a concept brought to light by Einstein *et al.* [3] in the EPR paper. Scully and Druhl showed that it was possible to place a which-path tag on individual particles passing through a double-slit interferometer without disturbing them, thus throwing the uncertainty principle out of the discussion. Interference, however, is still lost because entanglement provides which-path information. The mere possibility of obtaining such information, regardless of whether it is actually obtained or not, is enough to destroy interference. Erasing which-path information, even long after the particles have been detected, remarkably restores interference, seemingly allowing one to alter the past [4–6]. What is actually altered, however, is what one can say about the past—an argument for Bohr's view of physics as not being about what the world *is*, but rather what can be *said* about the world.

Practically, quantum erasure has been used to entangle, for the first time, two different-colour photons [7], and more recently, to propose a new protocol for quantum key distribution (QKD) that promises inherent security against detector-targeting attacks [8].

Counterfactuality, on the other hand, gleans information from events that could have happened but did not in fact take place.

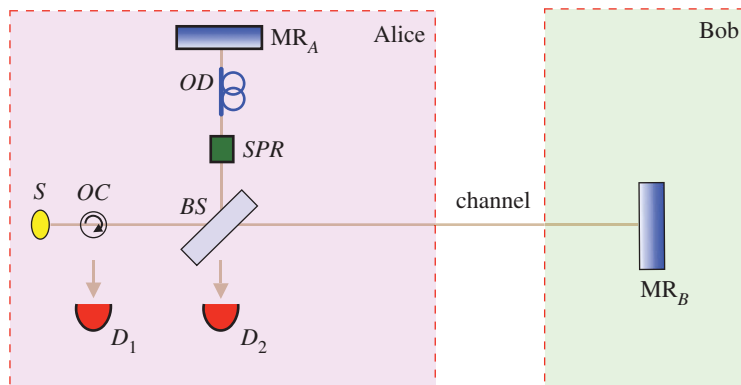


Figure 1. Which-path information destroys interference. Single-photon source S emits an H -photon towards the right. In this Michelson set-up, interference of the photon components reflected off mirrors MR_A and MR_B means that detector D_2 always clicks. Optical delay OD ensures that effective path-lengths match. Optical circulator OC directs any photon coming from the right towards D_1 . Flipping the polarization of the photon component reflected by MR_A towards BS , by means of switchable polarization rotator SPR , provides a which-path tag. Interference is then destroyed. Detectors D_1 and D_2 are now equally likely to click.

But information is physical—it is always manifested in physical form. The basic idea behind our present scheme is that information counterfactually communicated from Bob to Alice—that is without any particles travelling between them—can be made to manifest itself as a flip in the polarization of Alice's photon. This allows us to combine the two phenomena of erasure and counterfactuality, proposing a simple yet counterintuitive quantum eraser.

Let us start with the Michelson interferometer of figure 1. Alice's horizontally polarized H -photon, emitted by single-photon source S , encounters beamsplitter BS , which puts it in an equal superposition of travelling upwards towards mirror MR_A , and travelling to the right towards Bob's mirror, MR_B . These two components are reflected by mirrors MR_A and MR_B back to BS . By means of switchable polarization rotator SPR , the polarization of the part of the superposition incident on BS from above can be flipped to V . There are two scenarios. First, if the polarization of the part of the superposition incident on BS from above is not flipped, by not applying SPR , no which-path information is available. Interference takes place, with detector D_2 always clicking. Second, if the polarization of the part of the superposition incident on BS from above is flipped to V by applying SPR appropriately, which-path information is imprinted. Interference does not take place, with detectors D_1 and D_2 equally likely to click.

We now unveil counterfactual erasure. Using the chained quantum Zeno effect (CQZE) [9–14], whose inner working is explained in figure 2, and which has recently been experimentally demonstrated [15], Bob can decide to remotely flip the polarization of the part of the photon superposition travelling from BS towards MR_B in figure 3 by merely blocking the channel, without Alice's photon leaving her station.

Crucially, which-path information can be completely erased, thus restoring complete destructive interference at D_1 . In the limit of a large number of inner cycles N and outer cycles M (with the number of outer cycles $M \ll N$) and given ideal implementation, detector D_2 always clicks.

Note that had Bob chosen not to block the channel, the polarization of the part of the photon superposition travelling towards MR_B would not have been flipped by CQZE [11]. Erasure of which-path information would not have taken place and interference would not have been restored, with D_1 and D_2 equally likely to click.

The CQZE relies on two quantum phenomena, interaction-free measurement [16,17] and the quantum Zeno effect [18,19]. In interaction-free measurement the mere presence of an obstructing object inside an interferometer destroys interference, allowing the object's presence to sometimes be inferred without interacting with any particle. The quantum Zeno effect on the other hand refers to the fact that repeated measurement of an evolving quantum object inhibits its evolution, an effect that brings to mind the proverbial watched kettle that does not boil. The quantum Zeno effect is used here to push the efficiency of interaction-free measurement towards unity.

The counterfactuality of the CQZE is based on the fact that any photon going into the channel is necessarily lost, which means that photons detected by Alice at D_1 or D_2 could not have travelled to Bob. From figure 3, counterfactuality is ensured for the case of Bob blocking the channel: had the photon gone into the channel, detector D_B would have clicked. For the case of Bob not blocking the channel, had the

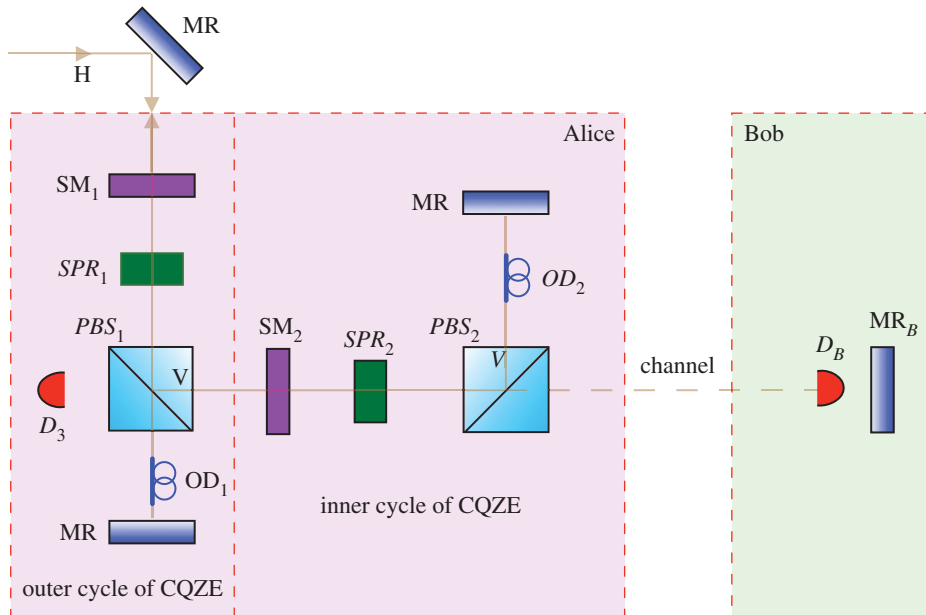


Figure 2. The inner working of the chained quantum Zeno effect (CQZE) for the case of Bob choosing to block the channel. We illustrate the operation of the CQZE using the minimum number of outer cycles, two. To start with, switchable mirror SM_1 is switched off letting Alice's H photon in before it is switched on again. Using switchable polarization rotator SPR_1 the following rotation is applied to the photon, $|H\rangle \rightarrow 1/\sqrt{2}(|H\rangle + |V\rangle)$, before it is switched off for the rest of this outer cycle. The V part of the superposition is reflected towards Bob using polarizing beamsplitter PBS_1 . Switchable mirror SM_2 is then switched off to let the V part of the superposition into the inner interferometer before it is switched on again. Using switchable polarization rotator SPR_2 , the following rotation, $|V\rangle \rightarrow \cos(\pi/2N)|V\rangle - \sin(\pi/2N)|H\rangle$, is then applied before it is switched off for the rest of this inner cycle. Polarizing beamsplitter PBS_2 passes the H part of the superposition towards Bob while reflecting the V part. By blocking the channel, Bob effectively makes a measurement. Unless the photon is lost to D_B , the part of the photon superposition inside the inner interferometer ends up in the state $|V\rangle$. The same applies for the next $N - 1$ inner cycles. Switchable mirror SM_2 is then switched off to let this part of the superposition, whose state has remained $|V\rangle$, out. In the next outer cycle, SPR_1 is switched on to rotate the photon's polarization from $1/\sqrt{2}(|H\rangle + |V\rangle)$, assuming large N , to $|V\rangle$, before it is switched off for the rest of the final outer cycle. PBS_1 reflects the photon towards Bob. As before, after N inner cycles, provided it is lost to D_B , the photon remains in the state $|V\rangle$. Finally, SM_1 is switched off to allow the photon, whose final state is $|V\rangle$, out. (Note that for the case of Bob not blocking the channel, it can be shown that repeated measurement by detector D_3 means that Alice's exiting photon is H -polarized in the end.) Optical delays OD ensure that effective path-lengths match. MR s are mirrors.

photon gone into the channel, detector D_3 would have clicked. Counterfactuality for the case of Bob not blocking the channel, which was disputed [20,22], has recently been proven using a consistent histories approach [21].

The CQZE employs N inner cycles nested within M outer cycles. While, as can be inferred from the explanation in the caption of figure 2, a smaller number of outer cycles does not lead to more output errors, a smaller number of inner cycles does lead to more output errors for the case of Bob blocking. The larger N is, the closer to V the polarization of the part of the photon superposition travelling towards MR_B is rotated, the more perfect the erasure. For a given M and N , for the case of Bob blocking, the error can be obtained from the following recursion relations [11],

$$X[m] = \cos\left(\frac{\pi}{2M}\right) X[m-1] - \sin\left(\frac{\pi}{2M}\right) Y[m-1] \quad (1)$$

and

$$Y[m] = \left(\sin\left(\frac{\pi}{2M}\right) X[m-1] + \cos\left(\frac{\pi}{2M}\right) Y[m-1]\right) \cos^N\left(\frac{\pi}{2N}\right), \quad (2)$$

where m corresponds to the end of the m th outer cycle, $X[M]$ and $Y[M]$ are the unnormalized probability amplitudes for the H and V components exiting the CQZE, respectively. $X[M]$ is therefore the error term causing detector D_1 to incorrectly click. It approaches zero for large N ,

The quality of erasure can be measured by interference visibility, defined as $(I_{\max} - I_{\min})/(I_{\max} + I_{\min})$, where I_{\max} and I_{\min} are light intensities at detectors D_2 and D_1 , respectively. I_{\min} and I_{\max} are

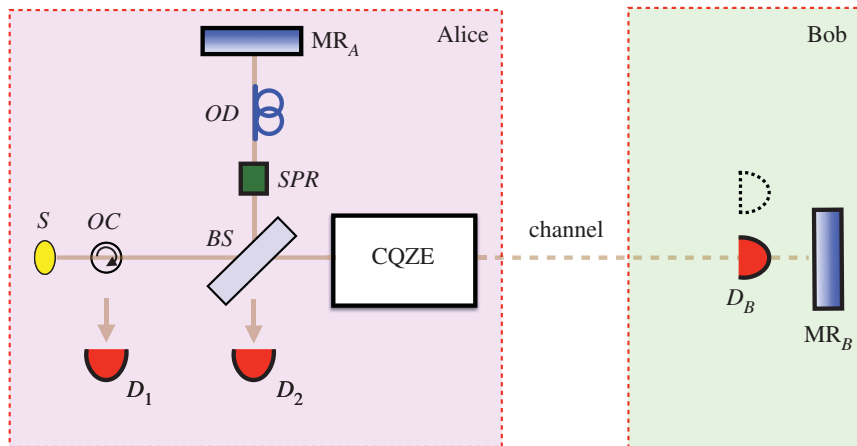


Figure 3. Counterfactual erasure. Single-photon source S emits an H -photon towards the right. Using the chained quantum Zeno effect (CQZE) module, the which-path tag imprinted by SPR can be erased. Choosing to block the channel, Bob counterfactually erases which-path information by flipping the polarization of the photon component travelling horizontally towards him. We can be sure that the photon has not traversed the channel, otherwise D_B would have clicked. Interference is recovered, with D_2 virtually always clicking for large enough number of CQZE cycles. On the other hand, if Bob chooses not to block the channel, which-path information is not erased, D_1 and D_2 are equally likely to click, and interference is not recovered. In other words, Bob can remotely decide whether Alice observes interference or not without the photon ever leaving her station.

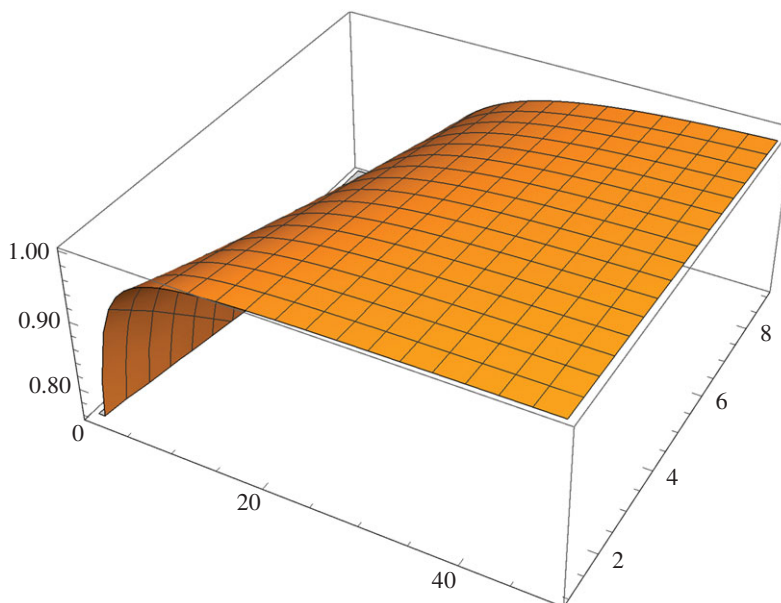


Figure 4. Interference visibility of counterfactual erasure for number of outer cycles M up to 10, and number of inner cycles N up to 50. Visibility approaches unity for large N . Ideal implementation is assumed.

proportional to the squared moduli of the probability amplitudes summed at detectors D_1 and D_2 , respectively. By the action of BS on the components $(1/\sqrt{2})|V\rangle$, reflected off MR_A , and $(1/\sqrt{2})(X[M]|H\rangle + Y[M]|V\rangle)$, exiting CQZE, we get,

$$\text{Visibility} = \frac{2Y[M]}{(X[M])^2 + (Y[M])^2 + 1}. \quad (3)$$

For instance, assuming ideal implementation, for a number of outer and inner cycles, $M = 2$ and $N = 4$, interference visibility is already above 89%. While for $M = 2$ and $N = 14$, interference visibility is above 99%. Figure 4 plots interference visibility for M up to 10 and N up to 50. We note that all elements of this scheme are implementable using current technology.

Einstein, one imagines, would have been surprised, to put it mildly, by Scully and Druhl's quantum eraser. One wonders what he might have thought of the spooky-action-without-entanglement presented here—where we have shown how a distant Bob can choose to erase which-path information from Alice's photon counterfactually, that is without it ever leaving her laboratory, dramatically restoring interference.

Data accessibility. This article has no additional data.

Competing interests. I have no competing interests.

Funding. This work is funded by Qubet Research, a UK start-up in quantum technology.

Acknowledgements. I thank Sam L. Braunstein and Yuan Cao for useful comments.

References

1. Scully MO, Druhl K. 1982 Quantum eraser: a proposed photon correlation experiment concerning observation and 'delayed choice' in quantum mechanics. *Phys. Rev. A* **25**, 2208. (doi:10.1103/PhysRevA.25.2208)
2. Bohr N. 1949 in *Albert Einstein: philosopher scientist*. Cambridge, UK: Cambridge University Press.
3. Einstein A, Podolsky P, Rosen N. 1935 Can quantum-mechanical description of physical reality be considered complete? *Phys. Rev.* **47**, 777. (doi:10.1103/PhysRev.47.777)
4. Kim YH, Yu R, Kulik SP, Shih Y, Scully MO. 2000 Delayed 'choice' quantum eraser. *Phys. Rev. Lett.* **84**, 1. (doi:10.1103/PhysRevLett.84.1)
5. Walborn SP, Terra Cunha MO, Padua S, Monken CH. 2002 Double-slit quantum eraser. *Phys. Rev. A* **65**, 033818. (doi:10.1103/PhysRevA.65.033818)
6. Aharonov Y, Zurek MS. 2005 Time and the quantum: erasing the past and impacting the future. *Science* **307**, 875–879. (doi:10.1126/science.1107787)
7. Zhao TM, Zhang H, Yang J, Sang ZR, Jiang X, Bao XH, Pan JW. 2014 Entangling different-color photons via time-resolved measurement and active feed forward. *Phys. Rev. Lett.* **112**, 103602. (doi:10.1103/PhysRevLett.112.103602)
8. Salih H. 2016 Quantum erasure cryptography. *Front. Phys.* **4**, 16. (doi:10.3389/fphy.2016.00016)
9. Hosten O, Rakher MT, Barreiro JT, Peters NA, Kwiat PG. 2006 Counterfactual quantum computation through quantum interrogation. *Nature* **439**, 949–952. (doi:10.1038/nature04523)
10. Noh TG. 2009 Counterfactual quantum cryptography. *Phys. Rev. Lett.* **103**, 230501. (doi:10.1103/PhysRevLett.103.230501)
11. Salih H, Li Z-H, Al-Amri M, Zurek MS. 2013 Protocol for direct counterfactual quantum communication. *Phys. Rev. Lett.* **110**, 170502. (doi:10.1103/PhysRevLett.110.170502)
12. Salih H. 2014 Tripartite counterfactual quantum cryptography. *Phys. Rev. A* **90**, 012333. (doi:10.1103/PhysRevA.90.012333)
13. Salih H. 2016 Protocol for counterfactually transporting an unknown qubit. *Front. Phys.* **3**, 94. (doi:10.3389/fphy.2015.00094)
14. Salih H. 2014 Protocol for counterfactually transporting an unknown qubit. (<http://arxiv.org/abs/1404.2200>)
15. Cao Y *et al.* 2017 Direct counterfactual communication via quantum Zeno effect. *Proc. Natl Acad. Sci. USA* **114**, 4920–4924. (doi:10.1073/pnas.1614560114)
16. Elitzur AC, Vaidman L. 1993 Quantum mechanical interaction-free measurements. *Found. Phys.* **23**, 987–997. (doi:10.1007/BF00736012)
17. Kwiat PG, White AG, Mitchell JR, Nairz O, Weihs G, Weinfurter H, Zeilinger A. 0000 Interaction-free measurement. *Phys. Rev. Lett.* **74**, 4763. (doi:10.1103/PhysRevLett.74.4763)
18. Sudarshan ECG, Misra B. 1977 The Zeno's paradox in quantum theory. *J. Math. Phys.* **18**, 756–763. (doi:10.1063/1.523304)
19. Kwiat PG, White AG, Mitchell JR, Nairz O, Weihs G, Weinfurter H, Zeilinger A. 0000 High-efficiency quantum interrogation measurements via the quantum Zeno effect. *Phys. Rev. Lett.* **83**, 4725. (doi:10.1103/PhysRevLett.83.4725)
20. Salih H, Li Z-H, Al-Amri M, Zurek MS. 2014 Salih *et al.* reply. *Phys. Rev. Lett.* **112**, 208902. (doi:10.1103/PhysRevLett.112.208902)
21. Salih H. 2016 Comment on 'Particle path through a nested Mach-Zehnder interferometer'. (<http://arxiv.org/abs/1608.01640>). (Soon to appear in *PRA* along with Reply by Griffiths.)
22. Vaidman L. 2014 Comment on 'Protocol for direct counterfactual quantum communication'. *Phys. Rev. Lett.* **112**, 208901. (doi:10.1103/PhysRevLett.112.208901)