

# Integrated Laser-Diode Voltage Driver for 20-Gb/s Optical Systems Using 0.3- $\mu\text{m}$ Gate Length Quantum-Well HEMT's

Zhi-Gong Wang, *Member, IEEE*, Manfred Berroth, *Member, IEEE*, Ulrich Nowotny, Manfred Ludwig, Peter Hofmann, Axel Hülsmann, Klaus Köhler, Brian Raynor, and Joachim Schneider

**Abstract**—An integrated laser-diode voltage driver (LDVD) making use of enhancement/depletion AlGaAs/GaAs quantum-well high electron mobility transistors (QW-HEMT's) with gate lengths of 0.3  $\mu\text{m}$  has been developed. Its large signal bandwidth is 12 GHz. Eye diagrams of the output signal at bit rates up to 8 Gb/s show an opening similar to that of the input signal. Supporting material is given indicating that the LDVD might operate at bit rates up to 20 Gb/s. The maximum output current is over 90 mA; the maximum modulation voltage of 800 mV corresponds to 40-mA modulation current for a laser diode with 20- $\Omega$  dynamic resistance. The power consumption is less than 500 mW.

## I. INTRODUCTION

THE laser-diode driver (LDD) is a key circuit of an optical digital communication system. Due to the following three reasons, its design is very challenging. Firstly, the requirements such as large output current and high speed are contradictory: for a large current in the range of some 10 mA up to more than 100 mA, a large driving signal and large output transistors are necessary. Both are unfavorable for high speed. A suitable circuit structure, some suitable compensation techniques, and a series of optimization steps are necessary.

Secondly, an optimal LDD should offer an output signal having a special waveform instead of a square wave. The reason is that a square-wave driving signal applied to a laser diode (LD) gives rise to two undesired consequences: a) a large overshoot of the optical power accompanied with a serious chirping effect at the rising edge, and b) a longer time for switching off than for switching on. From [1] it is known that the ratio of the peak to on-state photo density is more than 1.7 for an index-guided laser, and the switching-off time  $t_{\text{off}}$  of the laser is at least 30% greater than the switching-on time  $t_{\text{on}}$ . For another LD with an optical power ratio of  $P_{\text{on}}/P_{\text{off}} = 10$ ,  $t_{\text{off}}$  is even 2.5 times as great as  $t_{\text{on}}$  [2]. To improve the performance of LD's at the rising edge, a driving pulse form with a two-step rising edge was shown to be useful [3], and to reduce the switching-off time, a strong undershoot at the falling edge was proposed [4].

Manuscript received December 4, 1992; revised March 2, 1993. This work was supported by the German Federal Ministry of Research and Technology through DFE-project TK0357/8.

The authors are with the Fraunhofer-Institute for Applied Solid-State Physics, 7800 Freiburg, Germany.  
IEEE Log Number 9208992.

Thirdly, the connection of the designed LDD and the driven LD becomes a difficult problem when the LD cannot be integrated on the same chip.

In [5] we have reported a 15-Gb/s LDD whose circuit diagram is redrawn in Fig. 1 for convenience in the following discussions. This LDD has two important features.

1) Apart from the high-frequency (HF) voltage compensation in the preamplifier, a complete capacitively coupled current amplifier ( $C^3A$ ), consisting of  $EF_{11}$ ,  $EF_{12}$ ,  $EF_{72}$ ,  $EF_{82}$ ,  $C_1$ , and  $C_2$ , was introduced for HF current compensation so that a sharp undershoot could be produced at each transition from ZERO to ONE, and the switching-off delay and the fall time were reduced. However, the rising edge of the output pulse deviated more from the desired shape with the complete  $C^3A$  than without it (see Section II).

2) Each of the open-circuited drain pairs, indicated by  $I_{o1}$  and  $I_{o2}$ , can be considered as a current source modulated by the input data signal. When an LD is on-chip connected to one of the outputs, the low-ohmic LD, normally less than 25  $\Omega$ , sets a smaller Miller effect between the gate and the drain of the output transistors, which is beneficial for high-speed application. However, only the cathode of the LD can be connected to one output. Thus, the LDD should be really called an LDCD for both laser-diode current driver and laser-diode cathode driver.

The 15-GHz GaAs/AlGaAs multiquantum-well LD developed at our institute [6] was designed having three mesas in a coplanar ground-signal-ground contact geometry, as shown in Fig. 2. The middle contact served as the anode. With this arrangement the LD can be measured directly by means of standard coplanar microwave probes with ground-signal-ground contacts, but only its anode can be connected to the driver. When the driver is designed using available GaAs as well as Si-bipolar circuit techniques, we find that it becomes a voltage driver. Therefore, the LDCD mentioned above is unusable. That was the main reason why we developed not only LDCD's but also laser-diode voltage driver (LDVD's). In fact, an LDVD has certain advantages over an LDCD in some cases, as given in the following section.

## II. CIRCUIT PRINCIPLE

The circuit diagram of our LDVD shown in Fig. 3 was developed on the basis of the LDCD in Fig. 1. It consists

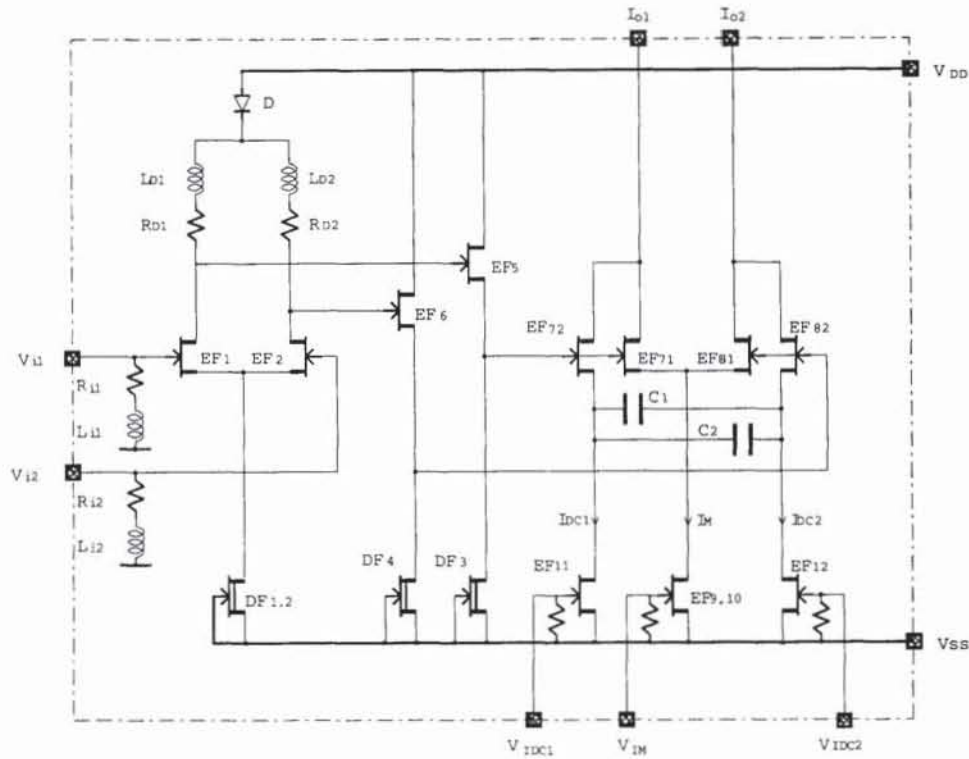


Fig. 1. Circuit diagram of the laser-diode driver in [5].

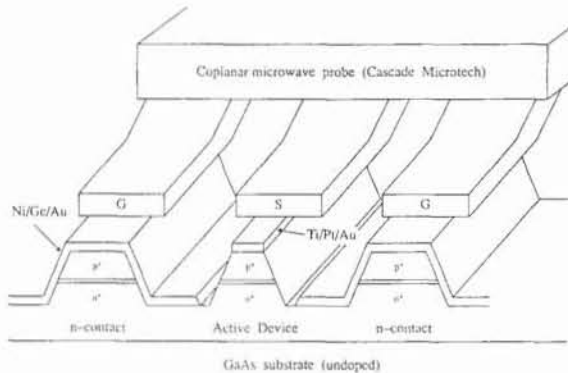


Fig. 2. Geometric arrangement of the high-speed GaAs/AlGaAs multi-quantum-well LD developed at our institute.

of three stages: the preamplifier, the main amplifier, and the voltage output.

The preamplifier consists of enhancement HEMT's (E-HEMT's)  $EF_1$  and  $EF_2$ , depletion HEMT (D-HEMT)  $DF_1$ , load resistors  $R_{D1}$  and  $R_{D2}$ , and inductances  $L_{D1}$  and  $L_{D2}$ . This is a differential amplifier with an HF voltage compensation similar to the input stage of the LCD in Fig. 1. The diode  $D$  takes care of level shifting. A pair of source followers consisting of  $EF_3$ ,  $EF_4$  and  $DF_3$ ,  $DF_4$  is used as a buffer between the pre- and the main amplifier.

In the main amplifier the E-HEMT  $EF_5$  together with  $EF_6$  and  $EF_7$  constitutes a conventional current amplifier and, in addition, together with  $EF_8$  and  $EF_{10}$  and the capacitor  $C_c$  constitutes a  $C^3A$ . The introduction of this  $C^3A$  is to produce a peaked current pulse caused by the loading process of  $C_c$  in addition through the load resistor  $R_{D3}$ , so that a desired voltage undershoot is formed, and the switching-off time of the driven LD can be reduced. In comparison to the circuit of Fig. 1, it can be seen that half of the  $C^3A$  circuit is merged here into the conventional current amplifier. With this modification the undesired enhanced overshoot caused by the complete  $C^3A$  in Fig. 1 is removed (see the simulated waveforms in Fig. 4). In addition, fewer devices and less supply current are needed.

The voltage signal over  $R_{D3}$  is then transmitted to the gate of the output E-HEMT  $EF_{11}$  through the source follower composed of  $DF_5$  and  $DF_6$ . A D-HEMT was used for  $DF_5$ , because it has a near-zero gate-to-source dc voltage drop. An E-HEMT was used for the output transistor because E-HEMT's have a higher transit frequency (see Table I).

When the driven LD is directly linked to the source of  $EF_{11}$  and a sufficient direct current flows through it, the voltage signal over the resistor  $R_{d3}$  will be effectively coupled to the source of  $EF_{11}$ , i.e., to the anode of the LD. The current  $I_H$  at the drain of  $EF_9$  controls the high level of the output voltage. The low level as well as the modulation amplitude is then determined by  $I_M$  at the drain of  $EF_7$ . Both  $I_H$  and  $I_M$  can be controlled manually or by other signals, such as the signal from the monitor diode of the LD.

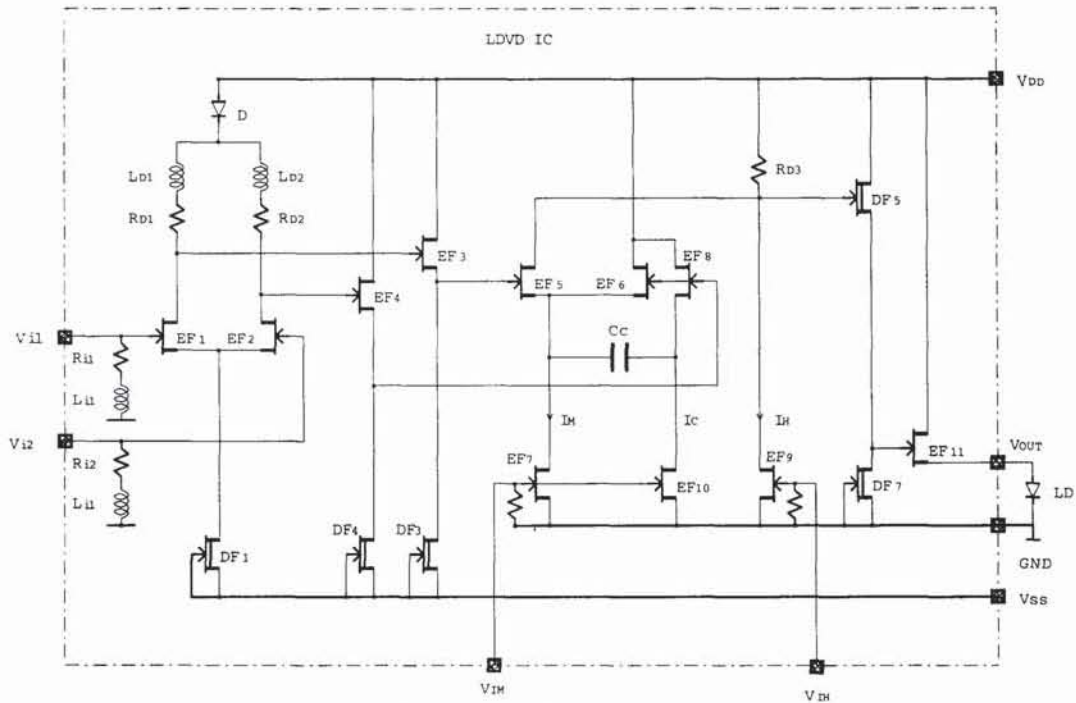
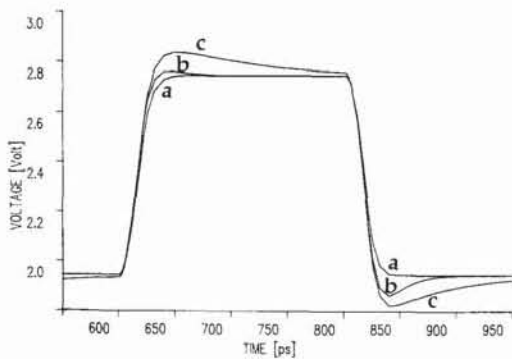


Fig. 3. Circuit diagram of the laser-diode voltage driver.

Fig. 4. Simulated output pulseforms of the main amplifier of the LDVD: a) without  $C^3A$ , b) with the merged  $C^3A$ , and c) with a complete  $C^3A$ .

In comparison to the LDCD in Fig. 1, the LDVD shows further advantages. First, a very large dimension can be used for  $EF_{11}$  because  $EF_{11}$  alone is required for the output, and the Miller effect need not be taken into consideration. In our design the gate width of  $EF_{11}$  is 0.5 mm. For a saturated length specific drain current of 200 mA/mm, the maximum output current can approach 100 mA. The output HEMT's in Fig. 1 must exist in pairs. To produce  $I_M$ ,  $I_{DC1}$ , and  $I_{DC2}$ ,  $EF_9$ - $EF_{12}$  are also needed. Each HEMT must have a dimension that is comparable to that of the HEMT connected with it. For the same output current and, for example, an

TABLE I  
TRANSISTOR PARAMETERS  
Gate Length = 0.3  $\mu\text{m}$ 

	E	D
$V_{th}$	0.05 V	-0.7 V
$I_{dsat}$	200 mA/mm	180 mA/mm
	( $V_{gs} = 0.8$ V)	( $V_{gs} = 0$ V)
$G_m$	500 mS/mm	400 mS/mm
$R_s$	0.6 $\Omega\text{mm}$	0.6 $\Omega\text{mm}$
$f_t$	50 GHz	45 GHz

$I_{DC1}/I_{DC2}/I_M$  ratio of 10/40/60, a minimum total gate width of about 1.4 mm ( $2 \times 0.05$ ,  $2 \times 0.2$ , and  $3 \times 0.3$  mm for  $I_{DC1}$ ,  $I_{DC2}$ , and  $I_M$  branch, respectively) is necessary for the LDCD. For such large gate widths, a greater chip area is necessary. Certainly other HEMT's in the LDVD also require space, but these HEMT's can be much smaller than those in LDCD because the currents flowing through these can have much smaller values. Assuming the dynamic impedance of the LD is 20  $\Omega$  and  $R_{D3}$  is 100  $\Omega$ , the current in the preamplifier of the LDVD is only one fifth as much as that in the LDCD. The chip area of an LDVD, therefore, can be much smaller than that of an LDCD for the same large output current. In fact we have designed another LDVD with an on-chip LD having a chip area of only  $0.3 \times 1.0$  mm<sup>2</sup>.

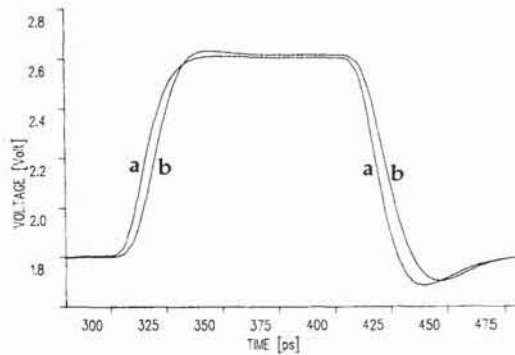


Fig. 5. Output signal of the LDVD a) with a 50- $\Omega$  resistor and b) with the composite load.

Second, the proportions of the direct and modulation current of the LD driven by an LDVD can be adjusted in the whole range of the maximum value (e.g., 100 mA), whereas the direct and modulation current of an LDCD can be adjusted only in the range of the respective maximum values (e.g., the assumed 40 and 60 mA). That means the LDVD can be applied with more flexibility.

Third, the circuit of the LDVD can be used as a driver of optical modulators simply by increasing the amplitude of the output voltage up to the desired value, e.g.,  $4 V_{p-p}$ . For this application the LDVD should be better than an LDCD because optical modulators are basically voltage-controlled devices [7].

### III. SIMULATED RESULTS

To gain as much information as possible, the main amplifier of the LDVD was separately simulated with the following three circuit variants:

1. without  $C^3A$ ,
2. with a complete  $C^3A$  as shown in Fig. 1, and
3. with the merged  $C^3A$  as shown in Fig. 3.

All simulations are carried out by using the popular program SPICE-2 and an in-house adapted HEMT model. The corresponding pulseforms of the output voltage over  $R_{D3}$  are plotted in Fig. 4. The pulseform of the circuit with a merged  $C^3A$  is clearly improved, approaching the desired shape. The dynamic characteristic of the complete LDVD was simulated for two different loads:

1. a 50- $\Omega$  resistor to match the 50- $\Omega$  probe, and
2. a composite load, consisting of a 20- $\Omega$  resistor and a 0.53-pF capacitor in parallel, and a 1.4-V voltage source in series, to simulate a quasi-ideal on-chip LD with a limiting frequency of about 15 GHz.

A large-signal bandwidth of about 13 GHz was obtained under both loading conditions. The output pulseforms of the LDVD with a 50- $\Omega$  resistor and the composite load are shown in Fig. 5. The rise times of both pulses are approximately 18 ps (10–90%). The fall time is 15 ps for a 50- $\Omega$  resistor and 18 ps for the composite load. In addition, the pulse obtained over the composite load has a relative delay of 5 ps. Both the

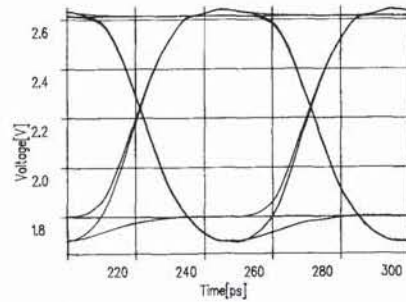


Fig. 6. Eye diagram of the output signal of the LDVD with the composite load at a bit rate of 20 Gb/s.

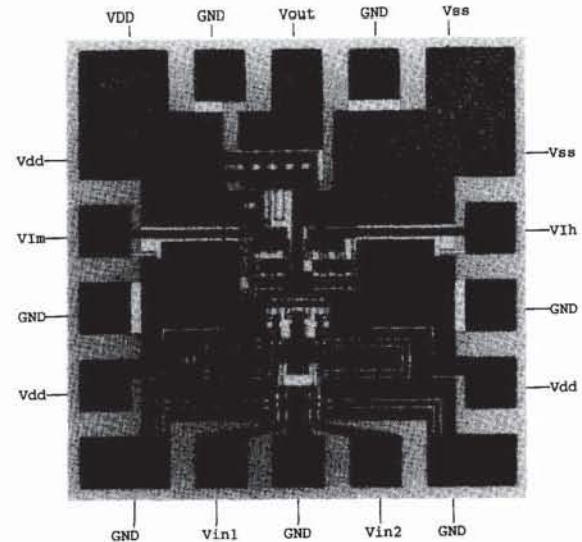


Fig. 7. Photomicrograph of the realized IC of the LDVD.

greater fall time and delay are due to the 0.53-pF capacitor. Simulations also show that the LDVD could function jitter-free at bit rates up to 20 Gb/s. The eye diagram of the output voltage at 20 Gb/s, obtained from the composite load by using a self-developed plotting program, is shown in Fig. 6. The direct and modulation currents were approximately 20 and 40 mA, respectively.

### IV. FABRICATION

The photomicrograph of the  $1 \times 1$ -mm<sup>2</sup> chip is shown in Fig. 7. The QW-HEMT structure was fabricated by molecular beam epitaxy. Both enhancement- and depletion-mode HEMT's are incorporated on the same chip. The 0.3- $\mu$ m-long gates were patterned by electron-beam direct writing [8]–[10]. The gate recesses were obtained by reactive ion etching. The typical E- and D-HEMT parameters are listed in Table I. The precision resistors were made using nickel-chromium thin films. For capacitors the MIM structure was chosen. The inductors were realized by short-circuited coplanar waveguides.

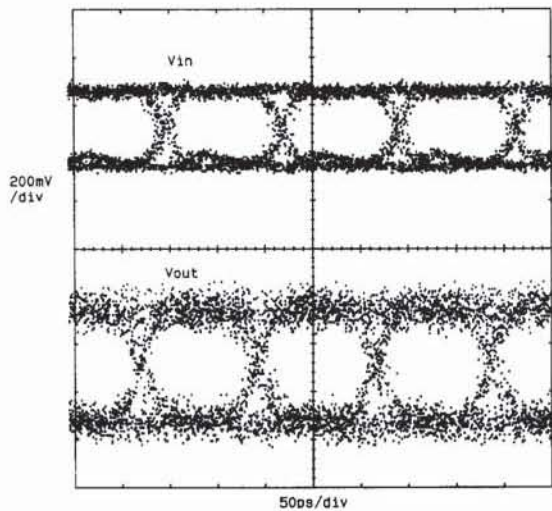


Fig. 8. Eye diagram of the input and output signals of the LDVD IC at 8 Gb/s from a 50- $\Omega$  measuring setup.

## V. EXPERIMENTAL RESULTS

The chips were measured first on wafer using 50- $\Omega$  coplanar test probes. A maximum output current of 90 mA was measured with a power consumption of less than 500 mW. The maximum output voltage amplitude was 800 mV corresponding to a modulation current of more than 40 mA for a LD with a dynamic resistance of less than 20  $\Omega$ . Eye diagram measurements could only be made for bit rates up to 8 Gb/s and with single-ended signals due to the available pattern generator. Eye diagrams of the input and output signals of an LDVD chip at 8 Gb/s are shown in Fig. 8. It can be seen that both signals have almost the same degree of opening. Furthermore, the chips were measured using sine-wave signals. A maximum large-signal bandwidth of about 12 GHz was obtained [11].

Considering that a 12-GHz sine-wave signal is equivalent to a 24-Gb/s data signal of repeated "10" codes, and based on the simulation results and that we obtained an open eye diagram at 20 Gb/s from a monolithically integrated 2 : 1 multiplexer and LCDL whose simulated rise and fall times and measured large-signal bandwidth were approximately 40 ps and 10 GHz, respectively [12], we are confident that our LDVD with an on-chip high-speed LD can operate at bit rates up to 20 Gb/s.

## VI. CONCLUSION

We have designed, fabricated, and tested a laser-diode voltage driver IC using AlGaAs/GaAs quantum-well transistors and a capacitively coupled current amplifier. The maximum output current was 90 mA. The maximum large-signal bandwidth was 12 GHz. At bit rates up to 8 Gb/s the eye diagrams of the output signal showed almost the same opening as that of the input signal. The IC has already been used to measure our

laser diodes, and will be used in an optical digital transmitter to drive an on-chip high-speed laser diode at bit rates up to 20 Gb/s.

## ACKNOWLEDGMENT

This work was a team effort and the authors are grateful to the entire staff of the laboratory. Special thanks go to H. S. Rupprecht for his directing and continuous encouragement, and to T. Jakobus for his expert technology management.

## REFERENCES

- [1] R. S. Tucker, "Large-signal switching transients in index-guided semiconductor lasers," *Electron. Lett.*, vol. 20, no. 19, pp. 802–803, Sept. 1984.
- [2] R. S. Tucker, J. M. Wiesenfeld, P. M. Downey, and J. E. Bowers, "Propagation delay and transition times in pulse-modulated semiconductor lasers," *Appl. Phys. Lett.*, 48, pp. 1707–1709, June 1986.
- [3] R. Olshansky and D. Fye, "Reduction of dynamic linewidth in single-frequency semiconductor lasers," *Electron. Lett.*, vol. 20, no. 20, pp. 928–929, Oct. 1984.
- [4] B. Wedding, D. Schlup, E. Schlag, W. Pöhlmann, and B. Franz, "2.24-Gbit/s 151-km optical transmission system using high-speed integrated silicon circuits," *J. Lightwave Technol.*, vol. 8, pp. 227–234, Feb. 1990.
- [5] Z.-G. Wang *et al.*, "15 Gbit/s integrated laser diode driver using 0.3  $\mu$ m gate length quantum well transistors," *Electron. Lett.*, vol. 28, no. 3, pp. 222–224, Jan. 1992.
- [6] J. D. Ralston *et al.*, "A vertically 15 GHz GaAs/AlGaAs multiple quantum well laser grown by molecular beam epitaxy," *Electron. Lett.*, vol. 27, pp. 1720–1722, Sept. 1991.
- [7] R. K. Montgomery *et al.*, "10 Gbit/s AlGaAs/GaAs HBT driver IC for lasers or lightwave modulators," *Electron. Lett.*, vol. 27, pp. 1827–1829, Sept. 1991.
- [8] K. Koehler *et al.*, "Advanced high electron concentration GaAs/Al<sub>x</sub>-Ga<sub>1-x</sub>As pulse-doped double hetero-structure for device application," *Inst. Phys. Conf. Ser.*, 112, IOP Publ., pp. 521–526, 1990.
- [9] A. Hülsmann *et al.*, "E-beam direct write in a dry-etched recess gate HEMT process for GaAs/AlGaAs circuits," *Japan. J. Appl. Phys.*, vol. 29, no. 10, pp. 2317–2320, 1990.
- [10] A. Hülsmann *et al.*, "GaAs/AlGaAs HEMTs with sub 0.5  $\mu$ m gate length written by E-beam and recessed by dry-etching for direct-coupled FET logic (DCFL)," *Inst. Phys., Conf. Ser.*, 112, IOP Publ., pp. 429–434, 1990.
- [11] Z.-G. Wang *et al.*, "20 Gb/s integrated laser diode voltage driver using 0.3  $\mu$ m gate length quantum well transistors," presented at the 18th European Solid-State Circuits Conf., Copenhagen/Denmark, Sept. 21–23, 1992.
- [12] Z.-G. Wang *et al.*, "18 Gbit/s monolithically integrated 2 : 1 multiplexer and laser driver using 0.3  $\mu$ m gate length quantum well HEMTs," *Electron. Lett.*, vol. 28, no. 18, pp. 1724–1725, Aug. 1992.



**Zhi-Gong Wang** (M'93) was born in Henan, China, on May 6, 1954. He received the M.-Eng. degree in radio engineering from the Nanjing Institute of Technology (now Southeast University China), Nanjing, China, in 1981, and the Dr.-Ing. degree in electronic engineering from the Ruhr-University Bochum, Germany, in 1990.

From 1977 to 1978 he worked as an assistant on radio communication techniques at the Nanjing Institute of Technology. From 1978 to 1981 he worked on computer-aided semiconductor circuit designs at the same institute. During 1982–1984, as a lecturer at Tongji University, Shanghai, he worked on semiconductor circuit techniques. From 1985 to 1990 he worked on high-speed silicon bipolar circuit designs and clock recovering circuits for the multigigabit/second range at Ruhr-University Bochum. Since October of 1990 he has been with Fraunhofer-Institute for Applied Solid-State Physics, Freiburg, Germany, working on high-speed GaAs circuit designs. Recently, he has been involved in GaAs IC designs for 10- to 20-Gb/s optical digital communications and millimeter-wave systems.



**Manfred Berroth** (M'91) was born in 1956. He received the Dipl.-Ing. degree from University of the Federal Armed Forces, Munich, Germany, in 1979, and the Dr.-Ing degree from the Ruhr-University Bochum, Germany, in 1991.

From 1979 to 1986 he developed microprocessor systems and dedicated image processing software as a consultant. Since 1987 he has been with the Fraunhofer-Institute for Applied Solid-State Physics in Freiburg Germany, and involved in the development of circuit simulation models for GaAs field-effect transistors as well as integrated circuit design. He is the head of the devices and circuits development department.



**Ulrich Nowotny** was born in Lörrach, Germany, in 1946. He studied physics at the Albert Ludwigs University, Freiburg, Germany, where he earned his diploma degree in 1973 and his Doctoral degree in 1985.

He joined ITT Semiconductors in Freiburg in 1979, where he worked on the development of the digital television. Since 1988 he has been with the Fraunhofer-Institut für Angewandte Festkörperphysik in Freiburg involved in the development of high-speed digital circuits.



**Manfred Ludwig** was born as Sudeten-German in Gablonz/Neiße, CSFR, in 1944.

After his vocational training in communication engineering, he joined the application division of ITT Semiconductors in Freiburg, Germany, in 1967. From 1970 to 1990 he was with the development division of the same company and worked on circuit design for consumer electronics and the digital television. Since 1990 he has been with the Fraunhofer-Institut für Angewandte Festkörperphysik in Freiburg involved in the development and measurement of high-speed optoelectronic and digital circuits.



**Peter Hofmann** was born in Freiburg, Germany, in 1947.

After his training as an electronic technician, he worked as a Service Manager in the consumer electronics industry. Since 1971 he has been with the Fraunhofer-Institut für Angewandte Festkörperphysik in Freiburg. From 1971 to 1986 he was involved with the development of plasma etching equipment. Since 1986 he is involved with the IC metal deposition processing.



**Axel Hülsmann** was born in Dortmund, Germany, in 1959. He studied solid-state electronics at the Rheinisch Westfälische Technische Hochschule in Aachen where he earned his diploma in 1986.

In 1986 he joined the Institut für Theoretische Elektronik, RWTH Aachen where he worked on CMOS technology with self-aligned titanium-silicide gates. Since 1987 he has been with the Fraunhofer-Institut für Angewandte Festkörperphysik (IAF), Freiburg, Germany, where he first investigated the SAINT process on GaAs. Since 1988 he has been with the e-beam group responsible for e-beam direct write. He is also involved in the process development of quantum-well pseudomorphic HEMT's.



**Klaus Köhler** was born in 1951. He studied physics at the Technical University of Karlsruhe, Germany. He received the Dipl.-Ing. degree in 1978 and the doctoral degree in 1981.

During his stay from 1982 at the IBM Research Laboratory in San Jose, CA, he was involved in the investigation of electrical discharges for dry etch processes. From 1983 to 1986 he was at the Max-Planck-Institut für Festkörperforschung in Stuttgart, Germany, where he did optical investigations on III-V semiconductor heterostructures. Since 1987 he has been with the Fraunhofer-Institut für Angewandte Festkörperphysik in Freiburg, Germany, working on the molecular beam epitaxy of III-V heterostructures.



**Brian Raynor** was born in Dublin, Ireland, in 1949. He studied applied physics at Trinity College, Dublin, where he earned the M.A. degree in 1973.

In 1973 he joined Siemens in Munich, Germany, where he worked in the bipolar technology development laboratory on circuit layout and photolithography. From 1979 to 1987 he was employed by ITT Semiconductor in Freiburg, Germany, where worked on photolithography and etching technology in the production. Since 1988 he has been with the Fraunhofer-Institut für Angewandte Festkörperphysik in Freiburg, Germany, involved in the development of submicrometer electron-beam lithography for an advanced III/V materials technology. He is also responsible for the production of masks and reticles used for optical lithography.



**Joachim Schneider** was born in Nürnberg, Germany, in 1949. He studied Physik A, a technical branch of physics, at the Technical University of Munich, where he received the (Dipl.-Ing.) degree in February 1975. From 1975 to 1978 he was with the Lehrstuhl für Bauelemente der Elektrotechnik at the University of Dortmund mainly working on advanced combined CMOS/bipolar technology, concluding his studies with the Dr. Ing. degree at the end of 1978.

In 1979 he joined the development division of ITT Semiconductor in Freiburg, Germany, where he worked on MOS technology for the digital television and consumer electronics. Since 1986 he has been with the Fraunhofer-Institut für Angewandte Festkörperphysik in Freiburg involved in the development of submicrometer optical lithography with wafer stepper and phase shifting masks for advanced III/V semiconductor integrated circuits.