

## SHOPPING FOR A MOBILE HOME

Laura J. Russell\*

Look for all the quality points you would use in shopping for a house. Ask questions and take time to satisfy yourself on these important points.

### COST

The price depends upon the size of the home as well as the dealer. There are no standard prices for mobile homes. Figure out the actual cost to you of any deal offered, accounting for any financing charges and insurance. A popular rule-of-thumb in the mobile home trade is that you must expect to pay \$100 per foot. However, mobile homes 50 feet long and 10 feet wide may be priced from \$3,500 to \$7,500 and more.

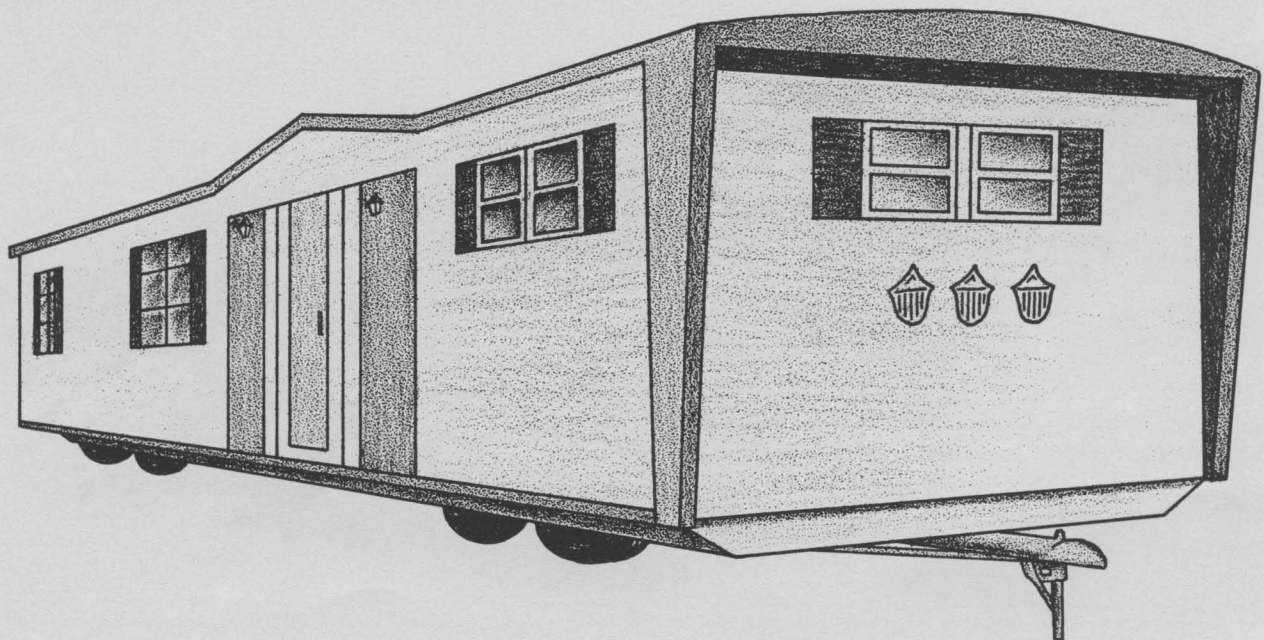
\*Extension Area Specialist, Housing and Home Furnishings.

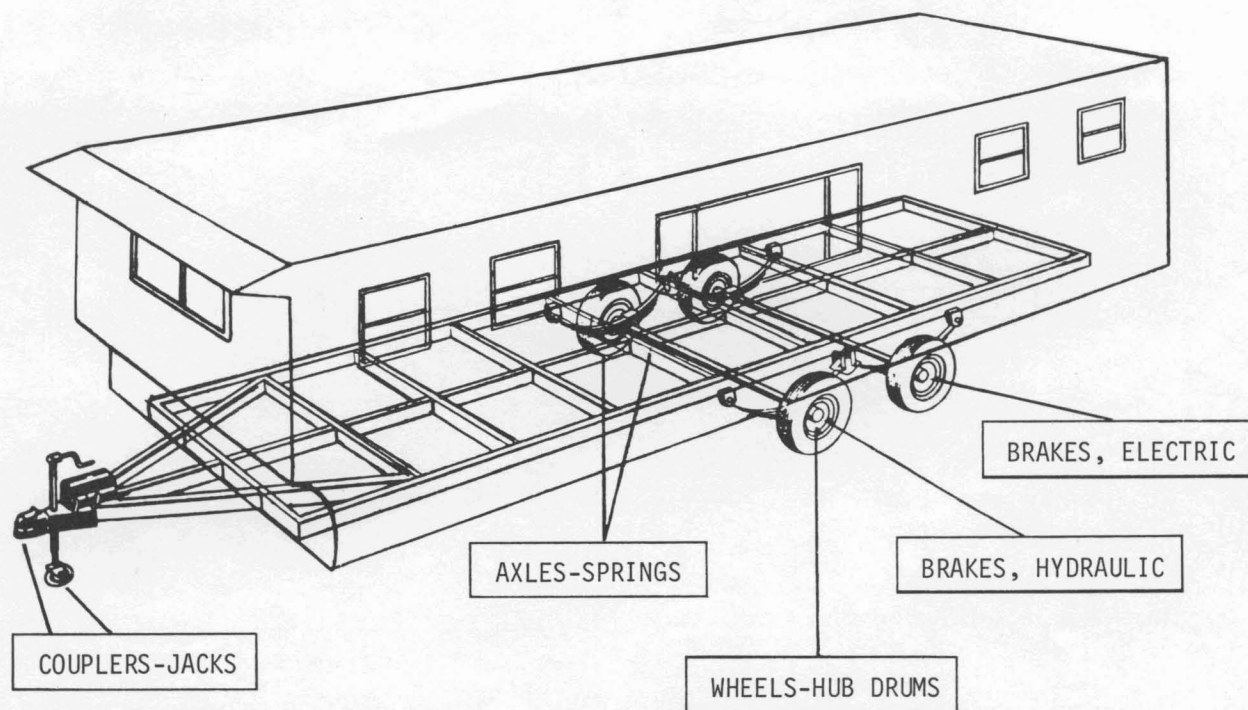
### EXTERIOR

Is it made of steel, aluminum or composition material? Aluminum is favored since it is lightweight and reflects heat. Determine whether it is of reasonably heavy gauge and whether it is prefinished or painted. Look for screw and rivet fasteners, tight seams. Are the walls insulated?

### ROOF

Will it reflect heat? Are there plenty of fastenings, not just at the edges? Is the roof cap rolled over the sides for weather-tight seal?





### CHASSIS

Look under the coach along the two main channels of the chassis. These channels should be of thick, wide, heavy gauge steel and straight.

### WHEELS

Wheels should have flat-bed, truck-type rims. Check for six or eight plies in the tires. Inquire as to the mechanics of the brake system. Test the brakes by operating them.

### ENTRANCE

Examine the door for good fit and smooth operation. Is there an entrance light? A bell or knocker? Do steps, porch or canopy come with the coach?

### WIRING

Electrical work should compare with that in a good quality house. That means having adequate service and enough circuits, properly equipped

with fuses or circuit breakers, wires shielded where they pass through rafters or studs and adequate outlets.

### PLUMBING

All drains should be fully trapped and vented. Test their adequacy. Check the output of the waterheater. You will need as much hot water as in an ordinary home.

### HEATING

Whether the heating system is fueled by gas or oil, it should be large enough for the climate you will live in. The system should have enough ducts for good circulation and enough properly located registers. Turn the furnace on to see whether it is noisy. Make sure it is thermostat controlled.

### ACKNOWLEDGMENT

Editors, The Kiplinger, Washington, Inc.