

Technical University of Denmark



Deterministic teleportation using single-photon entanglement as a resource

Bjork, Gunnar; Laghaout, Amine; Andersen, Ulrik Lund

Published in:
Physical Review A (Atomic, Molecular and Optical Physics)

Link to article, DOI:
[10.1103/PhysRevA.85.022316](https://doi.org/10.1103/PhysRevA.85.022316)

Publication date:
2012

Document Version
Publisher's PDF, also known as Version of record

[Link back to DTU Orbit](#)

Citation (APA):
Bjork, G., Laghaout, A., & Andersen, U. L. (2012). Deterministic teleportation using single-photon entanglement as a resource. *Physical Review A (Atomic, Molecular and Optical Physics)*, 85(2), 022316. DOI: 10.1103/PhysRevA.85.022316

DTU Library
Technical Information Center of Denmark

General rights

Copyright and moral rights for the publications made accessible in the public portal are retained by the authors and/or other copyright owners and it is a condition of accessing publications that users recognise and abide by the legal requirements associated with these rights.

- Users may download and print one copy of any publication from the public portal for the purpose of private study or research.
- You may not further distribute the material or use it for any profit-making activity or commercial gain
- You may freely distribute the URL identifying the publication in the public portal

If you believe that this document breaches copyright please contact us providing details, and we will remove access to the work immediately and investigate your claim.

Deterministic teleportation using single-photon entanglement as a resourceGunnar Björk,^{1,2} Amine Laghaout,^{3,*} and Ulrik L. Andersen^{2,3}¹*Department of Applied Physics, Royal Institute of Technology (KTH), AlbaNova University Center, SE-106 91 Stockholm, Sweden*²*NORDITA, Roslagstullsbacken 23, SE-106 91 Stockholm, Sweden*³*Department of Physics, Technical University of Denmark, Building 309, DK-2800 Lyngby, Denmark*

(Received 17 November 2011; published 13 February 2012)

We outline a proof that teleportation with a single particle is, in principle, just as reliable as with two particles. We thereby hope to dispel the skepticism surrounding single-photon entanglement as a valid resource in quantum information. A deterministic Bell-state analyzer is proposed which uses only classical resources, namely, coherent states, a Kerr nonlinearity, and a two-level atom.

DOI: [10.1103/PhysRevA.85.022316](https://doi.org/10.1103/PhysRevA.85.022316)

PACS number(s): 03.67.Hk, 03.65.Ud

I. INTRODUCTION

Ever since Tan *et al.* [1] articulated the notion of single-particle nonlocality [2,3], controversy has surrounded the ability of a single particle to exhibit entanglement [4–8]. Proposals [9–20] and experiments [21–23] demonstrating single-photon entanglement, nonlocality, and entanglement purification have been performed, but the prospect of teleportation using single-photon entanglement as the quantum resource has still not been regarded on equal footing with teleportation schemes involving “carrier” particles in each of the entangled modes.

Most of the confusion over this issue can be blamed on semantics: By “single-particle” entanglement, what is really meant is the quantum correlation of two or more modes over which a single excitation (i.e., the particle) is distributed. Regardless of the degree of freedom under consideration, one should therefore think of entanglement as occurring between modes rather than between any particular excitations of those modes [24]. In fact, all that is needed to enable entanglement is a system with an associated Hilbert space whose dimension can be factored [25]. In light of the above, any reference to single-photon nonlocality in the present paper should be pictured with field-mode entanglement in mind.

Although single-photon teleportation has been discussed quite extensively, and demonstrated experimentally [26], its success rate has been limited to at most 50%. This could be taken by the detractors of entanglement with a single particle as an indication that the involvement of the vacuum state as an agent of correlations bears with it a fundamental limitation. We argue that this lack of determinism, however, is not due to an intrinsic shortcoming of single-particle teleportation, but rather to the difficulty of implementing a deterministic analyzer for the following Bell states:

$$|\psi^\pm\rangle = \frac{1}{\sqrt{2}}(|01\rangle \pm |10\rangle), \quad (1)$$

$$|\varphi^\pm\rangle = \frac{1}{\sqrt{2}}(|00\rangle \pm |11\rangle), \quad (2)$$

where, e.g., $|01\rangle \equiv |0\rangle_A \otimes |1\rangle_B$ is the shorthand notation for vacuum in Alice’s mode and a single photon in Bob’s mode.

*Temporary affiliation: NORDITA, Roslagstullsbacken 23, SE-106 91 Stockholm, Sweden.

If one is restricted to linear optics, it has been shown that this difficulty is fundamental [27], and that the success rate appears to be limited to the above-mentioned 50%. Recently, Pavičić demonstrated that this threshold can be raised asymptotically to 100% if one uses conditional dynamics on the polarization degree of freedom of a two-photon Bell state [28]. However, his scheme does not lend itself to single-photon Bell states because the delocalization behavior of polarization at beam splitters is different for the vacuum state than for a single-photon state. For example, the splitting of, say, a vertically polarized photon $|V\rangle$ on a beam splitter leads to a nonlocal superposition $\frac{1}{\sqrt{2}}(|V,0\rangle + |0,V\rangle)$, whereas the vacuum remains separable $|0\rangle \otimes |0\rangle$, suggesting once again the alleged shortcoming of the vacuum.

However, what we wish to demonstrate in this paper is that fundamentally, nature does not differentiate between whether the entanglement needed to perform teleportation is carried by one, or more than one, particle. Hence, we will allow any classical resource, linear or nonlinear, but no additional quantum resources. The reader should be warned that although the scheme we outline below is certainly experimentally implementable, it will not be the most practical scheme to teleport a state. Our aim is simply to argue that at the fundamental level, any task that can be done by a multiparticle entangled state can also be achieved by the isomorphic state with the vacuum state and single-particle state as the basis. Specifically, we show that deterministic teleportation can be achieved with such a state as the only quantum resource.

In the context of single-particle entanglement, nonlocality, and teleportation, there has been a debate as to whether particle superselection rules preclude such effects for single particles [29,31–33]. After all, in order to detect some event, one needs a detector “click,” and such a click is inevitably associated with a particle. We shall see that superselection rules can be circumvented by the use of auxiliary, but classical, systems with an indeterminate particle number. Essentially, the same technique was suggested in Ref. [33], using a Bose-Einstein condensate as the auxiliary system. Below we shall instead use coherent states, which by contrast are classical resources. These states have the property that even if a particle is removed from a highly excited coherent state, the state remains essentially the same. That is, the state, and the same state with a particle removed, are essentially (and to an arbitrary degree)

indistinguishable. This will allow us to let the auxiliary system “lend” a particle to the entangled system, and hence “hide” the particle-number information that otherwise may ruin the intended task.

In this paper, we aim to assert the soundness of single-particle teleportation by outlining an experiment which, in principle, can identify any of the four Bell states deterministically and with arbitrary accuracy. The main challenge to this end is that the Bell states $|\varphi^\pm\rangle$ are not energy (or more generally, particle-number) eigenstates. In particular, no linear-optical scheme can deterministically resolve their phases [34]. We propose a way around this by storing the photonic qubits in two-level atoms. Owing to the two-dimensional Hilbert space of a two-level system, its stored qubits can conveniently be rotated on the Bloch sphere via coherent excitations. Once aligned with the energy eigenbasis of the atom, the orientation of the initial qubit can easily be deduced due to the unitarity of the rotation. Before treating the two-mode case of $|\varphi^\pm\rangle$, we first consider, in Sec. II, the Hadamard rotation of the single-mode qubit $\frac{1}{\sqrt{2}}(|0\rangle \pm |1\rangle) \rightarrow \{|0\rangle, |1\rangle\}$. We then follow up, in Sec. III, with a description of the actual teleportation setup and its two-stage Bell analyzer.

II. HADAMARD ROTATION OF A VACUUM-PHOTON SUPERPOSITION

Consider a qubit made up of an equal superposition of the vacuum and a single photon:

$$|X_\theta\rangle = \frac{1}{\sqrt{2}}(|0\rangle + e^{i\theta}|1\rangle), \quad (3)$$

where θ is the equatorial angle on the Bloch sphere. Our first goal is to devise a projector $\hat{\Pi}_\theta = |X_\theta\rangle\langle X_\theta|$ which can resolve the phase θ . Note that any projector $\hat{\Pi}_\theta$ can be implemented from any other $\hat{\Pi}_\beta$ by interposing a phase shift $\Delta\theta = \theta - \beta$. We will show in Sec. III A that such a projector, when applied in parallel to the two modes of $|\varphi^\pm\rangle$, will allow us to resolve the sign of the superposition. We shall for now restrict ourselves to the single-mode case and describe how $|X_0\rangle$ can be distinguished from $|X_\pi\rangle$.

Let us define two initially separated Hilbert spaces pertaining to an atomic and a photonic mode, respectively. Formally, the space under consideration is $\mathcal{H} = \mathcal{H}_{\text{atom}} \otimes \mathcal{H}_{\text{photon}}$, where $\mathcal{H}_{\text{photon}} = \{|n\rangle : n \in \mathbb{N}\}$ and $\mathcal{H}_{\text{atom}} = \{|g\rangle, |e\rangle\}$. Here, n denotes the number of photons, and $|g\rangle$ and $|e\rangle$ denote the ground and excited atomic states, respectively. The interaction between the two modes is dictated by the Jaynes-Cummings (JC) Hamiltonian, expressed below in the rotating wave approximation:

$$\hat{H} = \hbar\gamma(\hat{\sigma}^- \hat{a}^\dagger + \hat{\sigma}^+ \hat{a}), \quad (4)$$

where \hat{a} (\hat{a}^\dagger) is the photon annihilation (creation) operator, and $\hat{\sigma}^+$ ($\hat{\sigma}^-$) is the atomic raising (lowering) operator. Here, γ quantifies the strength of the photon-atom coupling. The transformations undergone by any preparation in \mathcal{H} under the action of \hat{H} are summarized in the Appendix and shall be used in what follows.

The candidate qubits $|X_0\rangle$ and $|X_\pi\rangle$ to be measured are initially stored in the photonic mode, whereas the atom is

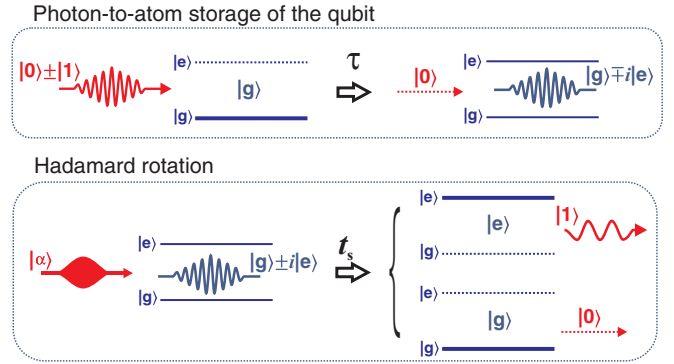


FIG. 1. (Color online) Sketch of the two-stage implementation of the $\hat{\Pi}_\theta$ projector for $\theta \in \{0, \pi\}$. The photonic and atomic modes are colored in red and blue, respectively. First, the photonic qubit is transferred to an atom initially in the ground state (top). Second, a coherent $\frac{\pi}{2}$ pulse is applied on the atom so as to rotate the qubit into one of the energy basis vectors $|g\rangle$ or $|e\rangle$ (bottom). The subsequent deexcitation of the atom (or lack thereof) will reveal that the initial photonic qubit was $|X_0\rangle$ (or $|X_\pi\rangle$).

prepared in the ground state. Upon an interaction time $\tau = \frac{\pi}{2\gamma}$, we obtain the transformation

$$\frac{1}{\sqrt{2}}|g\rangle \otimes (|0\rangle \pm |1\rangle) \xrightarrow{\tau} \frac{1}{\sqrt{2}}(|g\rangle \mp i|e\rangle) \otimes |0\rangle, \quad (5)$$

whereby the photonic qubit has been transferred to the atomic mode and the state is once again separable. The atomic qubit at this stage is not yet measurable in the energy eigenbasis. It can, however, be rotated so as to align itself with the eigenstates of the atom by shining a strong coherent beam $|\alpha\rangle$ with $|\alpha| \gg 1$. (This coherent state will incidentally serve as a reference phase.) If one chooses an interaction time $t_s = \frac{\pi}{4\gamma|\alpha|}$, then the state transforms to a very good approximation (see below) as

$$\begin{aligned} \frac{1}{\sqrt{2}}(|g\rangle + i|e\rangle) \otimes |\alpha\rangle &\xrightarrow{t_s} |g\rangle \otimes |\alpha\rangle \\ \frac{1}{\sqrt{2}}(|g\rangle - i|e\rangle) \otimes |\alpha\rangle &\xrightarrow{t_s} |e\rangle \otimes |\alpha\rangle. \end{aligned} \quad (6)$$

If one now determines via, say, a fluorescence measurement that the final state of the atom was the ground (excited) state, then one can conclude that the initial qubit was $|X_0\rangle$ ($|X_\pi\rangle$). A sketch of the physics underlying the transformations (5) and (6) is shown in Fig. 1.

As derived in the Appendix, however, an error in the correspondence between the initial and final states in (6) will arise for weaker coherent fields. This is where the superselection rule kicks in because it is clear that the left- and right-hand sides of (6) do not contain the same number of particles on average. An exact analysis of the transformation, made in the Appendix, shows that the probability for such an error decreases with the strength $|\alpha|$ of the coherent state. For example, the probability of erroneously identifying $|X_0\rangle$ instead of $|X_\pi\rangle$ is given by

$$P_{\text{err}} = \frac{e^{-|\alpha|^2}}{2} \sum_{n=0}^{\infty} \frac{|\alpha|^{2n}}{n!} \left| \cos\left(\frac{\pi\sqrt{n}}{4|\alpha|}\right) - \frac{\sqrt{n}}{|\alpha|} \sin\left(\frac{\pi\sqrt{n}}{4|\alpha|}\right) \right|^2. \quad (7)$$

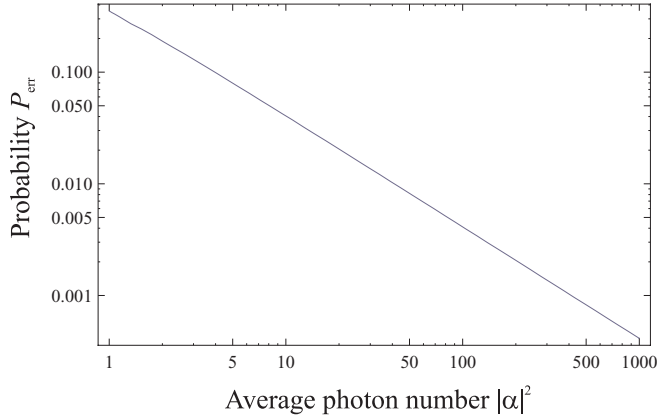


FIG. 2. (Color online) The probability P_{err} of an erroneous projection as a function of the coherent-state average photon number.

The fidelity of the Hadamard rotation is therefore contingent on the strength of the coherent $\frac{\pi}{2}$ pulses. The error probability is plotted in Fig. 2, and it can be seen that already for $|\alpha|^2 = 50$, the error probability is at the 1% level. This means that already for rather modest coherent-state excitations, the unitarity of the Hadamard operation in (6) is effectively achieved.

III. THE BELL-STATE ANALYZER

The teleportation protocol is sketched in Fig. 3. It consists of an entangled resource $|\psi^+\rangle = \frac{1}{\sqrt{2}}(|01\rangle + |10\rangle)$ linking Alice and Bob, and an unknown state $|\xi\rangle = a|0\rangle + b|1\rangle$ (where $|a|^2 + |b|^2 = 1$) to be teleported from Alice to Bob. The overall tripartite state, with the first two modes belonging to Alice and the last to Bob, reads

$$\begin{aligned} |\Psi\rangle &= |\xi\rangle \otimes |\psi^+\rangle = \frac{1}{\sqrt{2}}(a|001\rangle + a|010\rangle + b|101\rangle + b|110\rangle) \\ &= \frac{1}{2}|\varphi^+\rangle \otimes (a|1\rangle + b|0\rangle) + \frac{1}{2}|\varphi^-\rangle \otimes (a|1\rangle - b|0\rangle) \\ &\quad + \frac{1}{2}|\psi^+\rangle \otimes (a|0\rangle + b|1\rangle) + \frac{1}{2}|\psi^-\rangle \otimes (a|0\rangle - b|1\rangle). \end{aligned}$$

Upon the detection of $|\psi^\pm\rangle$ or $|\varphi^\pm\rangle$, Alice can inform Bob via a classical channel that he has in his possession $a|0\rangle \pm b|1\rangle$ or $a|1\rangle \pm b|0\rangle$, respectively. Bob can then perform a local unitary operation of his qubit to recover $|\xi\rangle$ (see Table I).

Let us now focus on the Bell analyzer. We propose that it consist of two steps: Alice first distinguishes $|\psi^\pm\rangle$ from $|\varphi^\pm\rangle$,

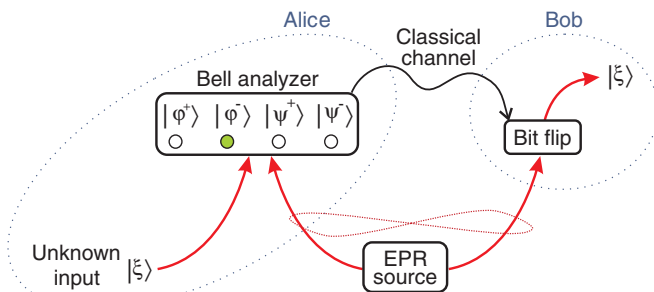


FIG. 3. (Color online) Teleportation protocol. (Here, the instance where Alice detects $|\varphi^-\rangle$ is highlighted.)

TABLE I. Table of the local operations to be performed by Bob based on the four possible Bell states measured by Alice. In the case where Alice measures $|\psi^+\rangle$, no action needs to be taken by Bob. In the other three cases, he will have to apply a photonic π phase shift (abridged “shift” below) and/or transfer the photonic qubit to a two-level atom and then apply a coherent π pulse (abridged “transfer, flip”).

Bell state	Local operation
$ \varphi^+\rangle$	$a 1\rangle + b 0\rangle \rightarrow \text{transfer, flip} \rightarrow \xi\rangle$
$ \varphi^-\rangle$	$a 1\rangle - b 0\rangle \rightarrow \text{shift, transfer, flip} \rightarrow \xi\rangle$
$ \psi^+\rangle$	$a 0\rangle + b 1\rangle = \xi\rangle$
$ \psi^-\rangle$	$a 0\rangle - b 1\rangle \rightarrow \text{shift} \rightarrow \xi\rangle$

and then she determines the signs of each superposition with separate setups. We discuss each step in Secs. III A and III B below. A sketch of the Bell analyzer is shown in Fig. 4.

A. Discrimination between $|\psi^\pm\rangle$ and $|\varphi^\pm\rangle$

The main difference between $|\psi^\pm\rangle$ and $|\varphi^\pm\rangle$ is that the former are energy eigenstates, which are easily separable by a rotation in the energy basis (e.g., with a 50/50 beam splitter). The latter, however, are not energy or particle eigenstates and thus require a more elaborate treatment to reveal the sign of their superposition by an energy (particle) counting detector. Our first task is therefore to branch off $|\psi^\pm\rangle$ and $|\varphi^\pm\rangle$ so that each is forwarded to the appropriate analyzer. We propose to achieve this sorting with a dual-rail quantum nondemolition (QND) measurement, first proposed for quantum error correction [35]. The idea behind this QND measurement is to induce a phase shift in an auxiliary coherent beam depending on whether the total number of photons in the Bell state is odd (as in $|\psi^\pm\rangle$) or even (as in $|\varphi^\pm\rangle$). The coherent probe remains separable all along so that no collapse is incurred on the individual Bell states. The interaction Hamiltonian, which could be implemented physically as a cross-Kerr effect [36], is written in the rotating wave approximation as

$$\hat{H}_{\text{int}} = \hbar\kappa(\hat{a}^\dagger\hat{a} + \hat{b}^\dagger\hat{b})\hat{c}^\dagger\hat{c}, \quad (8)$$

where κ is the strength of the interaction.

If we set the interaction time to $\tau_M = \frac{\pi}{\kappa}$, then the propagator becomes $e^{-i\pi(\hat{a}^\dagger\hat{a} + \hat{b}^\dagger\hat{b})\hat{c}^\dagger\hat{c}}$, and we are then faced with two possible scenarios. If the Bell state is $|\psi^\pm\rangle$, then the overall state $|\psi^\pm\rangle \otimes |\alpha\rangle$ transforms as follows:

$$\begin{aligned} |\psi^\pm\rangle \otimes |\alpha\rangle &= \frac{e^{\frac{|\alpha|^2}{2}}}{\sqrt{2}}(|01\rangle \pm |10\rangle) \otimes \sum_{n=0}^{\infty} \frac{\alpha^n}{\sqrt{n!}} |n\rangle \\ &\xrightarrow{\tau_M} \frac{e^{\frac{|\alpha|^2}{2}}}{\sqrt{2}}(|01\rangle \pm |10\rangle) \otimes \sum_{n=0}^{\infty} e^{-i\pi n} \frac{\alpha^n}{\sqrt{n!}} |n\rangle \\ &= \frac{1}{\sqrt{2}}(|01\rangle \pm |10\rangle) \otimes |-\alpha\rangle \\ &= |\psi^\pm\rangle \otimes |-\alpha\rangle. \end{aligned} \quad (9)$$

On the other hand, if we start with $|\varphi^\pm\rangle$, then a similar derivation leaves the state unchanged,

$$|\varphi^\pm\rangle \otimes |\alpha\rangle \xrightarrow{\tau_M} |\varphi^\pm\rangle \otimes |\alpha\rangle. \quad (10)$$

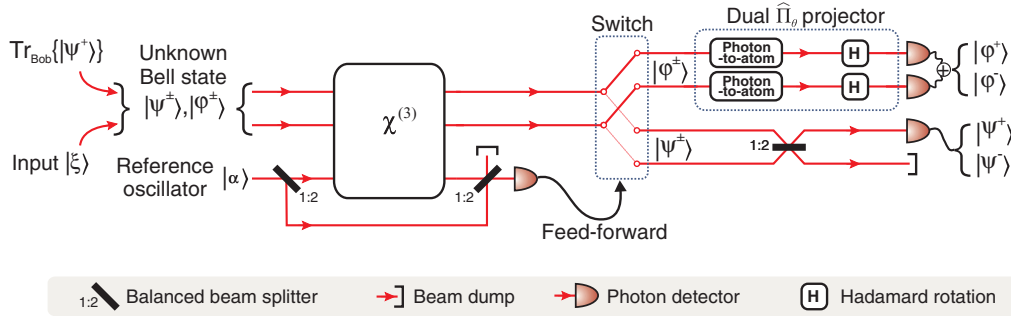


FIG. 4. (Color online) Conceptual sketch of the Bell analyzer. The first part consists of a quantum nondemolition measurement, which separates $|\psi^\pm\rangle$ from $|\varphi^\pm\rangle$ by inducing a phase shift in an auxiliary coherent field if $|\psi^\pm\rangle$ was input. Depending on the outcome of this first measurement, a double pole, double throw (DPDT) switch forwards the state to either a balanced beam splitter (for $|\psi^\pm\rangle$) or a “dual-rail” extension of the projector discussed in Sec. II (for $|\varphi^\pm\rangle$).

It can now be seen that the differentiation of $|\psi^\pm\rangle$ and $|\varphi^\pm\rangle$ can be achieved by comparing the phases of the auxiliary coherent fields: Only those coherent fields that have interacted with $|\psi^\pm\rangle$ acquire a π phase shift, and those that interacted with $|\varphi^\pm\rangle$ remain unchanged. The acquisition of the π phase shift can be observed by a simple classical interference between the probe beam and a reference coherent state on a balanced beam splitter.

B. Discrimination between $|\varphi^+\rangle$ and $|\varphi^-\rangle$

Now that $|\psi^\pm\rangle$ and $|\varphi^\pm\rangle$ are branched off, there remain to be determined the signs at the superscript in either case. As already mentioned, the differentiation between the triplet (ψ^+) and singlet states (ψ^-) can be done easily by joining the two constituent modes on a balanced beam splitter. The outgoing modes become disentangled and the detection of the photon at either of the output ports has a direct correspondence to the sign of the superposition.

A more complicated situation occurs when the QND measurement announces the states $|\varphi^\pm\rangle$. The discrimination between the signs requires a two-mode extension to the single-mode projector described in Sec. II. This is done by placing a ground-state atom in the path of each of the incoming photonic qubits. After an interaction time of $\tau = \frac{\pi}{2\gamma}$, the evolution of the photon-atom system will be the straightforward extension of (5), namely,

$$\begin{aligned} |gg\rangle \otimes |\varphi^\pm\rangle &= \frac{1}{\sqrt{2}} |gg\rangle \otimes (|00\rangle \pm |11\rangle) \\ &\xrightarrow{\tau} \frac{1}{\sqrt{2}} (|gg\rangle \mp |ee\rangle) \otimes |00\rangle. \end{aligned} \quad (11)$$

Now that the qubits have been completely transferred from the photonic to the atomic modes, we can call upon the Hadamard transformation worked out in (6). This rotation gives

$$\begin{aligned} \frac{1}{\sqrt{2}} (|gg\rangle - |ee\rangle) \otimes |\alpha\alpha\rangle &\xrightarrow{t_s} \frac{1}{\sqrt{2}} (|gg\rangle + |ee\rangle) \otimes |\alpha\alpha\rangle \\ \frac{1}{\sqrt{2}} (|gg\rangle + |ee\rangle) \otimes |\alpha\alpha\rangle &\xrightarrow{t_s} \frac{1}{\sqrt{2}} (|ge\rangle + |eg\rangle) \otimes |\alpha\alpha\rangle, \end{aligned} \quad (12)$$

where once again $t_s = \frac{\pi}{4\gamma|\alpha|}$ is the time it takes to apply a $\frac{\pi}{2}$ -coherent pulse.

The difference between the two final states lies in the parity of the energy quanta stored in the atoms. An initial photonic state $|\varphi^-\rangle$ corresponds to a total energy of exactly one quantum: $\frac{1}{\sqrt{2}}(|ge\rangle + |eg\rangle)$. Conversely, $|\varphi^+\rangle$ leads to either zero or two quanta: $\frac{1}{\sqrt{2}}(|gg\rangle + |ee\rangle)$. The efficiency of this Hadamard rotation, as argued in Sec. II, increases with the mean photon number of the $\frac{\pi}{2}$ pulses and can thus be made asymptotically ideal for strong coherent fields.

IV. DETERMINISTIC QUANTUM COMPUTING

Finally, we show that by using the experimental techniques presented in this paper, it is also possible to achieve deterministic quantum computing based on single-photon entanglement. It has been shown by Lund and Ralph [30] that nondeterministic quantum computing using the superposition of vacuum and a single photon as a qubit can be obtained with linear optics and photon counters. However, by allowing for nonlinear operations, it is possible to bring this idea into a deterministic setting.

A universal set of quantum gates could consist of the phase rotation gate, the Hadamard gate, and the control sign shift (CS) gate. The phase rotation gate is easily implementable using a simple phase delay. A deterministic Hadamard gate can be constructed using the JC interaction as outlined in Sec. II. The CS gate can be implemented by storing the input modes $(a|0\rangle + b|1\rangle) \otimes (c|0\rangle + d|1\rangle)$ in a pair of atoms (via the JC interaction), applying a π pulse, and letting it decay:

$$\begin{aligned} &(ac|00\rangle + ad|01\rangle + bc|10\rangle + bd|11\rangle) \otimes |gg\rangle \\ &\xrightarrow{\tau} (ac|gg\rangle + ad|ge\rangle + bc|eg\rangle + bd|ee\rangle) \otimes |00\rangle \\ &\xrightarrow{2t_s} (ac|gg\rangle + ad|ge\rangle + bc|eg\rangle - bd|ee\rangle) \otimes |00\rangle \\ &\xrightarrow{\text{decay}} (ac|00\rangle + ad|01\rangle + bc|10\rangle - bd|11\rangle) \otimes |gg\rangle. \end{aligned}$$

By combining this CS gate with the above-mentioned phase and Hadamard gate, a universal quantum computation based on qubits of the form (3) can, in principle, be executed.

V. CONCLUSION

Our proposal is difficult to implement experimentally in that it requires expertise in two separate and highly specialized

areas, namely, the generation of single photons and the manipulation of light-matter interactions. We believe, however, that our theoretical sketch will help bring some closure to the debate that still surrounds the notion of single-particle nonlocality. The root of this debate can be traced to the perception of the vacuum $|0\rangle$ as a singular—if not pathological [6]—state whose similarity to the other Fock states has little physical meaning beyond mathematical isomorphism. By building on earlier discussions about mode entanglement and the nonlocality of this state [2,9,31,33], and by showing the full power of single-photon teleportation with no additional quantum resources, we hope to have proven the contrary.

ACKNOWLEDGMENTS

The authors acknowledge fruitful discussions with Professor S. Kilin. The work was supported by the Swedish Research Council (VR) through its Linnæus Center of Excellence ADOPT, and by the Danish Agency for Science, Technology and Innovation (FNU).

APPENDIX: JAYNES-CUMMINGS MODEL

We shall summarize here the mathematics behind the Hadamard rotation treated in Sec. II. This is based on an application of the Jaynes-Cummings model, whose Hamiltonian has already been presented in Eq. (4). The Schrödinger equation corresponding to this system is solved by

$$\begin{aligned} |\psi(t)\rangle = & \sum_{n=0}^{\infty} \{ [c_e c_n \cos(\gamma t \sqrt{n+1}) - i c_g c_{n+1} \\ & \times \sin(\gamma t \sqrt{n+1})] |e\rangle + [c_g c_n \cos(\gamma t \sqrt{n}) \\ & - i c_e c_{n-1} \sin(\gamma t \sqrt{n})] |g\rangle \} |n\rangle, \end{aligned} \quad (\text{A1})$$

where the initial state is given by

$$\begin{aligned} |\psi(0)\rangle = & |\psi_{\text{atom}}(0)\rangle \otimes |\psi_{\text{photon}}(0)\rangle \\ = & (c_g |g\rangle + c_e |e\rangle) \otimes \sum_{n=0}^{\infty} c_n |n\rangle, \end{aligned} \quad (\text{A2})$$

and c_g , c_e , and c_n are complex. An in-depth derivation of (A1) is given in Ref. [37].

Three key transformations of the atom-photon eigenstates are of interest to us, namely,

$$|g,0\rangle \rightarrow |g,0\rangle, \quad (\text{A3})$$

$$|g,n\rangle \rightarrow \cos(\gamma t \sqrt{n}) |g,n\rangle - i \sin(\gamma t \sqrt{n}) |e,n-1\rangle, \quad (\text{A4})$$

$$|e,n\rangle \rightarrow \cos(\gamma t \sqrt{n+1}) |e,n\rangle - i \sin(\gamma t \sqrt{n+1}) |g,n+1\rangle. \quad (\text{A5})$$

The transfer of the qubit from the photon to the atomic modes is thus given by

$$\begin{aligned} |g\rangle \otimes \frac{1}{\sqrt{2}}(|0\rangle \pm |1\rangle) &= \frac{1}{\sqrt{2}}(|g0\rangle \pm |g1\rangle) \\ &\rightarrow \frac{1}{\sqrt{2}}[|g0\rangle \mp i \sin(\gamma t) |e0\rangle \pm \cos(\gamma t) |g1\rangle] \\ &= \left\{ t = \tau = \frac{\pi}{2\gamma} \right\} = \frac{1}{\sqrt{2}}(|g\rangle \mp i |e\rangle) \otimes |0\rangle. \end{aligned} \quad (\text{A6})$$

Now that the qubit is stored in the atomic mode, let us derive how a coherent excitation $|\alpha\rangle$ performs the Hadamard rotation:

$$\begin{aligned} \frac{1}{\sqrt{2}}(|g\rangle \pm i |e\rangle) \otimes |\alpha\rangle &= \frac{1}{\sqrt{2}}(|g\rangle \pm i |e\rangle) \otimes e^{-\frac{|\alpha|^2}{2}} \sum_{n=0}^{\infty} \frac{\alpha^n}{\sqrt{n!}} |n\rangle = \frac{e^{-\frac{|\alpha|^2}{2}}}{\sqrt{2}} \sum_{n=0}^{\infty} \frac{\alpha^n}{\sqrt{n!}} (|gn\rangle \pm i |en\rangle) \\ &\rightarrow \frac{e^{-\frac{|\alpha|^2}{2}}}{\sqrt{2}} \sum_{n=0}^{\infty} \frac{\alpha^n}{\sqrt{n!}} [\cos(\gamma t \sqrt{n}) |gn\rangle - i \sin(\gamma t \sqrt{n}) |e,n-1\rangle \pm i \cos(\gamma t \sqrt{n+1}) |en\rangle \pm \sin(\gamma t \sqrt{n+1}) |g,n+1\rangle] \\ &= \frac{e^{-\frac{|\alpha|^2}{2}}}{\sqrt{2}} \sum_{n=0}^{\infty} \frac{\alpha^n}{\sqrt{n!}} \left\{ \left[\cos(\gamma t \sqrt{n}) \pm \frac{\sqrt{n}}{\alpha} \sin(\gamma t \sqrt{n}) \right] |gn\rangle + i \left[\pm \cos(\gamma t \sqrt{n+1}) - \frac{\alpha}{\sqrt{n+1}} \sin(\gamma t \sqrt{n+1}) \right] |en\rangle \right\} \\ &= \left\{ t = t_s = \frac{\pi}{4\gamma |\alpha|} \right\} = \frac{e^{-\frac{|\alpha|^2}{2}}}{\sqrt{2}} \sum_{n=0}^{\infty} \frac{\alpha^n}{\sqrt{n!}} \left\{ \left[\cos\left(\frac{\pi \sqrt{n}}{4|\alpha|}\right) \pm \frac{\sqrt{n}}{\alpha} \sin\left(\frac{\pi \sqrt{n}}{4|\alpha|}\right) \right] |gn\rangle \right. \\ &\quad \left. + i \left[\pm \cos\left(\frac{\pi \sqrt{n+1}}{4|\alpha|}\right) - \frac{\alpha}{\sqrt{n+1}} \sin\left(\frac{\pi \sqrt{n+1}}{4|\alpha|}\right) \right] |en\rangle \right\}. \end{aligned} \quad (\text{A7})$$

If we now assume that $\alpha \approx n^{1/2}$, then the cosine and sine functions become approximately equal, thereby finalizing the Hadamard transformations (6). One needs, however, to keep track of the error arising from the approximation. For example, the probability of erroneously obtaining a final state $|gn\rangle$ instead of $|en\rangle$ will be given by any nonzero remnant in the factor of $|gn\rangle$:

$$P_{\text{err}} = \frac{e^{-|\alpha|^2}}{2} \sum_{n=0}^{\infty} \frac{|\alpha|^{2n}}{n!} \left| \cos\left(\frac{\pi \sqrt{n}}{4|\alpha|}\right) - \frac{\sqrt{n}}{|\alpha|} \sin\left(\frac{\pi \sqrt{n}}{4|\alpha|}\right) \right|^2. \quad (\text{A8})$$

- [1] S. M. Tan, D. F. Walls, and M. J. Collett, *Phys. Rev. Lett.* **66**, 252 (1991).
- [2] L. Hardy, *Phys. Rev. Lett.* **73**, 2279 (1994).
- [3] A. Peres, *Phys. Rev. Lett.* **74**, 4571 (1995).
- [4] D. M. Greenberger, M. A. Horne, and A. Zeilinger, *Phys. Rev. Lett.* **75**, 2064 (1995).
- [5] L. Vaidman, *Phys. Rev. Lett.* **75**, 2063 (1995).
- [6] M. Pawłowski and M. Czachor, *Phys. Rev. A* **73**, 042111 (2006).
- [7] A. Drezet, *Phys. Rev. A* **74**, 026301 (2006).
- [8] S. J. van Enk, *Phys. Rev. A* **74**, 026302 (2006); **72**, 064306 (2005).
- [9] M. H. Y. Moussa and B. Baseia, *Phys. Lett. A* **245**, 335 (1998).
- [10] A. M. Steinberg, *Found. Phys.* **28**, 385 (1998).
- [11] H.-W. Lee and J. Kim, *Phys. Rev. A* **63**, 012305 (2000).
- [12] G. Björk, P. Jonsson, and L. L. SánchezSoto, *Phys. Rev. A* **64**, 042106 (2001).
- [13] J.-W. Lee, E. K. Lee, Y. W. Chung, H.-W. Lee, and J. Kim, *Phys. Rev. A* **68**, 012324 (2003).
- [14] H. Nha and J. Kim, *Phys. Rev. A* **75**, 012326 (2007).
- [15] J. Dunningham and V. Vedral, *Phys. Rev. Lett.* **99**, 180404 (2007).
- [16] M. A. Anisimov, M. Caponigro, S. Manciniz, and V. I. Man'ko, *J. Phys. Conf. Ser.* **70**, 012002 (2007).
- [17] J. J. Cooper and J. A. Dunningham, *New J. Phys.* **10**, 113024 (2008).
- [18] P. Lougovski, S. J. van Enk, K. S. Choi, S. B. Papp, H. Deng, and H. J. Kimble, *New J. Phys.* **11**, 063029 (2009).
- [19] L. Heaney and J. Anders, *Phys. Rev. A* **80**, 032104 (2009).
- [20] L. Heaney, A. Cabello, M. F. Santos, and V. Vedral, *New J. Phys.* **13**, 053054 (2011).
- [21] B. Hessmo, P. Usachev, H. Heydari, and G. Björk, *Phys. Rev. Lett.* **92**, 180401 (2004).
- [22] S. B. Papp, K. S. Choi, H. Deng, P. Lougovski, S. J. van Enk, and H. J. Kimble, *Science* **324**, 764 (2009).
- [23] D. Salart, O. Landry, N. Sangouard, N. Gisin, H. Herrmann, B. Sanguinetti, C. Simon, W. Sohler, R. T. Thew, A. Thomas, and H. Zbinden, *Phys. Rev. Lett.* **104**, 180504 (2010).
- [24] C. C. Gerry, *Phys. Rev. A* **53**, 4583 (1996).
- [25] G. Björk, P. Jonsson, H. Heydari, J. Söderholm, and B. Hessmo, *Opt. Spectrosc.* **94**, 695 (2003).
- [26] E. Lombardi, F. Sciarrino, S. Popescu, and F. De Martini, *Phys. Rev. Lett.* **88**, 070402 (2002).
- [27] N. Lütkenhaus, J. Calsamiglia, and K. A. Suominen, *Phys. Rev. A* **59**, 3295 (1999).
- [28] M. Pavičić, *Phys. Rev. Lett.* **107**, 080403 (2011).
- [29] S. Wechsler, e-print [arXiv:quant-ph/0503232](https://arxiv.org/abs/quant-ph/0503232).
- [30] A. P. Lund and T. C. Ralph, *Phys. Rev. A* **66**, 032307 (2002).
- [31] M. O. Terra Cunha, J. A. Dunningham, and V. Vedral, *Proc. R. Soc. A* **463**, 2277 (2007).
- [32] L. Heaney and V. Vedral, *Phys. Rev. Lett.* **103**, 200502 (2009).
- [33] L. Heaney, e-print [arXiv:1011.3743v1](https://arxiv.org/abs/1011.3743v1).
- [34] J. Calsamiglia and N. Lütkenhaus, *Appl. Phys. B* **72**, 67 (2001).
- [35] I. L. Chuang and Y. Yamamoto, *Phys. Rev. A* **52**, 3489 (1995).
- [36] N. Imoto, H. A. Haus, and Y. Yamamoto, *Phys. Rev. A* **32**, 2287 (1985).
- [37] C. C. Gerry and P. L. Knight, *Introductory Quantum Optics* (Cambridge University Press, Cambridge, 2005), p. 95.