

Technical University of Denmark



Demonstration of a Quantum Nondemolition Sum Gate

Yoshikawa, J.; Miwa, Y.; Huck, Alexander; Andersen, Ulrik Lund; van Loock, P.; Furusawa, A.

Published in:
Physical Review Letters

Link to article, DOI:
[10.1103/PhysRevLett.101.250501](https://doi.org/10.1103/PhysRevLett.101.250501)

Publication date:
2008

Document Version
Publisher's PDF, also known as Version of record

[Link back to DTU Orbit](#)

Citation (APA):
Yoshikawa, J., Miwa, Y., Huck, A., Andersen, U. L., van Loock, P., & Furusawa, A. (2008). Demonstration of a Quantum Nondemolition Sum Gate. *Physical Review Letters*, 101(25), 250501. DOI: 10.1103/PhysRevLett.101.250501

DTU Library

Technical Information Center of Denmark

General rights

Copyright and moral rights for the publications made accessible in the public portal are retained by the authors and/or other copyright owners and it is a condition of accessing publications that users recognise and abide by the legal requirements associated with these rights.

- Users may download and print one copy of any publication from the public portal for the purpose of private study or research.
- You may not further distribute the material or use it for any profit-making activity or commercial gain
- You may freely distribute the URL identifying the publication in the public portal

If you believe that this document breaches copyright please contact us providing details, and we will remove access to the work immediately and investigate your claim.

Demonstration of a Quantum Nondemolition Sum Gate

Jun-ichi Yoshikawa,^{1,2} Yoshichika Miwa,^{1,2} Alexander Huck,^{1,3,4} Ulrik L. Andersen,^{3,4}
Peter van Loock,^{4,5} and Akira Furusawa^{1,2}

¹*Department of Applied Physics, School of Engineering, The University of Tokyo, 7-3-1 Hongo, Bunkyo-ku, Tokyo 113-8656, Japan*

²*CREST, Japan Science and Technology Agency, 5 Sanbancho, Chiyoda-ku, Tokyo 102-0075, Japan*

³*Department of Physics, Technical University of Denmark, Building 309, 2800 Lyngby, Denmark*

⁴*Institut für Optik, Information und Photonik, Max-Planck Forschungsgruppe, Universität Erlangen-Nürnberg, Günther-Scharowsky Straße 1, 91058 Erlangen, Germany*

⁵*OZI Group, Institute of Theoretical Physics I, Universität Erlangen-Nürnberg, Staudtstr. 7/B2, 91058 Erlangen, Germany*

(Received 5 August 2008; published 18 December 2008)

The sum gate is the canonical two-mode gate for universal quantum computation based on continuous quantum variables. It represents the natural analogue to a qubit C-NOT gate. In addition, the continuous-variable gate describes a quantum nondemolition (QND) interaction between the quadrature components of two light modes. We experimentally demonstrate a QND sum gate, employing the scheme by R. Filip, P. Marek, and U. L. Andersen [Phys. Rev. A **71**, 042308 (2005)], solely based on off-line squeezed states, homodyne measurements, and feedforward. The results are verified by simultaneously satisfying the criteria for QND measurements in both conjugate quadratures.

DOI: 10.1103/PhysRevLett.101.250501

PACS numbers: 03.67.Lx, 03.67.Bg, 42.50.Dv, 42.50.Ex

The analogue of a two-qubit C-NOT gate, when continuous quantum variables are considered, is the so-called sum gate. It represents the canonical version of a two-mode entangling gate for universal quantum computation in the regime of continuous variables [1]. When applied to two optical, bosonic modes, as opposed to a simple beam splitter transformation, the sum gate is even capable of entangling two modes each initially in a coherent state, i.e., a close-to-classical state.

Apart from representing a universal two-mode gate, the sum gate also describes a quantum nondemolition (QND) interaction. The concept of a QND measurement has been known for almost 30 years. Initially, it was proposed to allow for better accuracies in the detection of gravitational waves [2]. A QND measurement is a projection measurement onto the basis of a QND observable which is basically a constant of motion. The QND measurement should preserve the measured observable, but still gain sufficient information about its value; the backaction is confined to the conjugate observable.

Various demonstrations of QND or backaction evading measurements have been reported [3]. The interest in the realization of a full QND gate grew only recently, mainly in the context of continuous-variable (CV) quantum information processing [4]. In particular, the QND sum gate is (up to local phase rotations) the canonical entangling gate for building up Gaussian cluster states [5], a sufficient resource for universal quantum computation [6]. Other applications of the sum gate are CV quantum error correction [7] and CV coherent communication [8].

Here we report on the experimental demonstration of a full QND sum gate. The gate leads to quantum correlations in *both* conjugate variables, consistent with an entangled state, and allowing for a QND measurement of either

variable with signal and probe interchanged. While previous works focused on fulfilling the criteria for a QND measurement [9] of one fixed variable, here we satisfy the QND criteria for two noncommuting observables, verifying entanglement at the same time. As our implementation is very efficient and controllable, the current scheme can be used to process arbitrary optical quantum states, including fragile non-Gaussian states. Similar to the measurement-based implementation of single-mode squeezing gates [10,11], realization of the QND gate only requires two off-line squeezed ancilla modes [10,12].

Let us write the QND-gate Hamiltonian as $\hat{H}_{\text{QND}} = \hat{x}_1 \hat{p}_2$, with a suitable choice of the absolute phase for each mode. Here $\hat{x}/2$ and $\hat{p}/2$ are the real and imaginary parts of each mode's annihilation operator, $\hat{a} = (\hat{x} + i\hat{p})/2$, and the subscripts "1" and "2" denote two independent modes. The ideal QND input-output relations then become,

$$\begin{aligned} \hat{x}_1^{\text{out}} &= \hat{x}_1^{\text{in}}, & \hat{x}_2^{\text{out}} &= \hat{x}_2^{\text{in}} + G\hat{x}_1^{\text{in}}, \\ \hat{p}_1^{\text{out}} &= \hat{p}_1^{\text{in}} - G\hat{p}_2^{\text{in}}, & \hat{p}_2^{\text{out}} &= \hat{p}_2^{\text{in}}, \end{aligned} \quad (1)$$

where G is the gain of the interaction.

Through this ideal QND interaction, the "signal" QND variable \hat{x}_1 (\hat{p}_2) is preserved in the output state and its value is added to the "probe" variable \hat{x}_2 (\hat{p}_1). This allows for a QND measurement of either \hat{x}_1 or \hat{p}_2 , with a backaction confined to the conjugate variable. The usual criteria for QND measurements (in the linearized, Gaussian regime) are [9],

$$1 < T_S + T_P \leq 2, \quad V_{S|P} < 1, \quad (2)$$

where T_S and T_P are the transfer coefficients from signal input to signal output ("signal preservation") and from

signal input to probe output (“information gain”), respectively; $V_{S|P}$ is the conditional variance of the signal output when the probe output is measured (“quantum state preparation”).

The implementation of the QND gate based on off-line resources is shown in Fig. 1. The interaction gain G in Eq. (1) is related to the reflectivities of the four beam splitters via one free parameter R , with $G = (1/\sqrt{R}) - \sqrt{R}$, taking arbitrary values for $0 < R \leq 1$. The full scheme is described by the input-output relations [10],

$$\hat{x}_1^{\text{out}} = \hat{x}_1^{\text{in}} - \sqrt{\frac{1-R}{1+R}} \hat{x}_A^{(0)} e^{-r_A}, \quad (3)$$

$$\hat{x}_2^{\text{out}} = \hat{x}_2^{\text{in}} + \frac{1-R}{\sqrt{R}} \hat{x}_1^{\text{in}} + \sqrt{R \frac{1-R}{1+R}} \hat{x}_A^{(0)} e^{-r_A}, \quad (4)$$

$$\hat{p}_1^{\text{out}} = \hat{p}_1^{\text{in}} - \frac{1-R}{\sqrt{R}} \hat{p}_2^{\text{in}} + \sqrt{R \frac{1-R}{1+R}} \hat{p}_B^{(0)} e^{-r_B}, \quad (5)$$

$$\hat{p}_2^{\text{out}} = \hat{p}_2^{\text{in}} + \sqrt{\frac{1-R}{1+R}} \hat{p}_B^{(0)} e^{-r_B}, \quad (6)$$

where $\hat{x}_A^{(0)} e^{-r_A}$ and $\hat{p}_B^{(0)} e^{-r_B}$ are the squeezed quadratures of the ancillas (the subscripts ‘A’ and ‘B’ denote two independent ancilla modes), leading to some excess noise for finite squeezing. The gate operation becomes ideal in the limit of infinite squeezing ($r_A, r_B \rightarrow \infty$). Note that here precise control of active squeezing arising from an unstable process of parametric down conversion is not needed; instead, the gate is completely controlled via passive optical devices. For sufficiently large squeezing of the ancilla modes, this transformation also allows for QND measurements. Using variable beam splitters, we experimentally realized two interaction gains, $G = 1.0$ and 1.5 . In particular, the unit gain interaction is significant for quantum

information processing. Nonetheless, we observe a better performance in the QND measurements using higher gain. We note that a nonunitary and single quadrature QND measurement based on squeezed vacuum and feedforward has been demonstrated in Ref. [13].

Experimental setup.—A schematic of the experimental setup is illustrated in Fig. 1. It basically consists of a Mach-Zehnder interferometer with a single-mode squeezing gate in each arm. To implement fine-tunable and lossless squeezing operations, we use the measurement-induced squeezing approach proposed in Ref. [10], experimentally implemented in Ref. [11] and illustrated inside the dashed boxes of Fig. 1.

We treat the quantum information encoded at frequency sidebands of 1.25 MHz relative to the optical carrier of the bright continuous wave light beam at a wavelength of 860 nm from a Ti:sapphire laser. The powers in each of the two input modes and the squeezed modes are $10 \mu\text{W}$ and $2 \mu\text{W}$, respectively. These powers are considerably smaller than the powers (3 mW) of the local oscillators (LOs) used for homodyne detection. All the interferences at the beam splitters are actively phase locked using modulation sidebands of 77 kHz, 106 kHz, and their beat in 29 kHz. Subthreshold optical parametric oscillators (OPOs) generate the squeezed vacuum ancillas. To control the beam splitting ratios of the four beam splitters in the squeezing operations and the Mach-Zehnder interferometer, they are composed of two polarizing beam splitters and a half wave plate [11].

The OPOs are bow-tie shaped cavities of 500 mm in length, containing a periodically-poled KTiOPO_4 (PPKTP) crystal of 10 mm in length. The pump beams for the OPOs (with wavelengths of 430 nm and powers of about 100 mW) are the second harmonic of the output of the Ti:sapphire laser. The frequency doubling cavity (not shown in the figure) has the same configuration as the OPOs, but contains a KNbO_3 crystal. For details of a squeezed vacuum generation; see Ref. [14]. Each OPO enables a squeezing degree of about -5 dB relative to the shot noise limit.

The outcomes of the homodyne detection in the QND gate are fed forward to the remaining part. After low noise electric amplification, they drive an electro-optical modulator (EOM) traversed by an auxiliary beam with the power of $150 \mu\text{W}$, which is subsequently mixed with the signal beam by an asymmetric beam splitter (99:1).

The QND scheme is characterized by measuring the two input modes as well as the two output modes using homodyne detection. The detector’s quantum efficiencies are higher than 99%, the interference visibilities to the LOs are on average 98%, and the dark noise of each homodyne detector is about 17 dB below the optical shot noise level produced by the local oscillator. We measure the propagation losses in each of the two main modes through the QND apparatus to be about 7%.

Experimental results.—The three measures in Eq. (2) are used to quantify the performance of our QND system. To

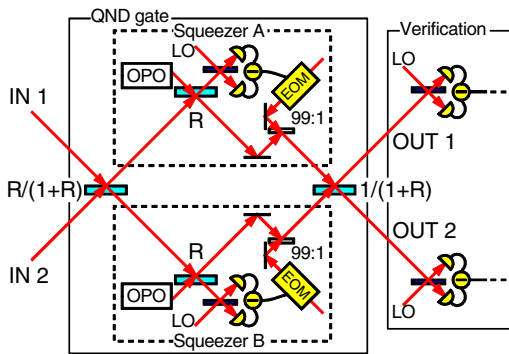


FIG. 1 (color online). Schematic of the experimental setup. The parameter R determines the reflectivities of the four beam splitters, which are $R/(1+R)$, R , R , and $1/(1+R)$. We employ optical parametric oscillators (OPO) to produce squeezed vacuum modes, local oscillators (LO) for homodyne detection, and electro-optic modulators (EOM) combined with beam splitters (99:1) for signal displacement.

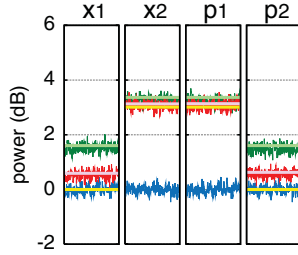


FIG. 2 (color). Variances of the quadrature components corresponding to vacuum inputs and $G = 1.0$. Shown are the experimental QND output variances (red) with their theoretical values (pink), compared to the results with vacuum-state ancillas (green) and their theoretical values (light green). The yellow lines refer to the theoretical results for infinite squeezing, and the blue traces show the shot noise level corresponding to the variances of the input states.

estimate them, we perform measurements of second moments of the input fields and the output fields, employing a spectrum analyzer with a center frequency of 1.25 MHz, resolution and video bandwidths of 30 kHz and 300 Hz, respectively, a sweep time set to 0.1 s and further averaging of 20 traces. In Figs. 2–4 the results for $G = 1.0$ are shown; in Table I the performance of the QND device is listed for both $G = 1.0$ and $G = 1.5$.

In the first series of measurements we determine the variances of conjugate quadratures of the output states when the input states are pure vacua. The results corresponding to $G = 1.0$ are presented in Fig. 2. The variances of the two input states are at the vacuum noise level as illustrated by the blue traces. As a result of the QND interaction, in the ideal case, the noise of the signal variables (\hat{x}_1 and \hat{p}_2) is added to the probe variables (\hat{x}_2 and \hat{p}_1), while the signal variables are preserved. The expected variances for the ideal performance are marked by the yellow lines and the actual measured variances of the output state are given by the red traces. The deviation from the ideal performance is due to the finite amount of squeezing for the ancillas. For comparison, we also measure the variances of the output states when no squeezing is used. This is shown by the green traces. The expected variances,

for finite squeezing or without squeezing, are calculated and marked by pink and light green lines, respectively.

In the second series of measurements, in order to test the universality of the QND gate, we replace the input vacuum states by a pair of coherent states. We generate the coherent amplitude in each quadrature of the two input modes by modulating the amplitude or phase of their carriers using an EOM operating at 1.25 MHz. We investigate four different input states, each corresponding to a coherent excitation in, respectively, (a) x_1^{in} , (b) x_2^{in} , (c) p_1^{in} , and (d) p_2^{in} . The measurement results of the second moments of the input and output quadratures for $G = 1.0$ are shown in Fig. 3. The excitations of the input states are measured by setting the reflectivities of the four beam splitters to unity and blocking the auxiliary displacement beams in the feedforward construction. These measurements are illustrated by the blue traces (the nonexcited quadratures are not shown because they are at the vacuum level, 0 dB). Traces in red are the second moments of the output quadratures. We observe that the amplitude of the input states is preserved in the same quadrature with almost unity gain. Furthermore, we clearly see the expected feature that the information in a signal variable, \hat{x}_1^{in} or \hat{p}_2^{in} , is coupled into the probe variable \hat{x}_2^{out} or \hat{p}_1^{out} [see Figs. 3(a) and 3(d)], whereas the amplitude in the probe variables \hat{x}_2^{in} and \hat{p}_1^{in} does not couple to any of the other quadratures [see Figs. 3(b) and 3(c)]. These results verify the interaction in Eq. (1). From these measurements we determine the transfer coefficients T_S and T_P using the method outlined in ref. [15]. The results are summarized in Table I. Note that the experimentally determined values of T_S and T_P are degraded by propagation and detection losses, compared to the ideal scheme described by Eqs. (3)–(6).

Finally, we measure the conditional variance using the setup shown in Fig. 4(a). The outcomes from one of the homodyne detectors are rescaled by a gain g , subtracted from (or added to) the outcomes of the other homodyne detector and subsequently directed to a spectrum analyzer. The resulting normalized noise powers are shown in Figs. 4(b) and 4(c) as a function of the rescaling gain g . The minima of these plots correspond to the conditional

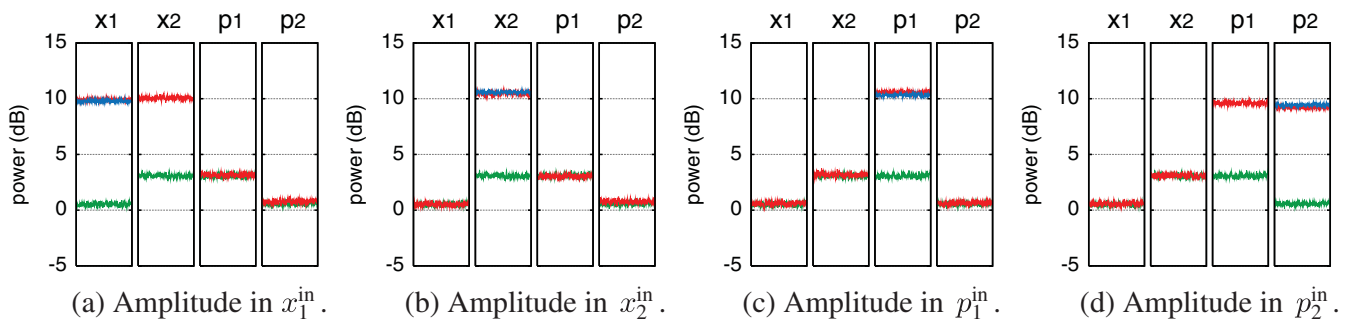


FIG. 3 (color). Second moments of the quadrature components of the input and output states with respect to four different input states, for $G = 1.0$. The excited input quadratures are shown in blue (nonexcited input quadratures with variances equal to the shot noise level are not shown). The output quadratures are shown in red, and, for comparison, we add the traces in green which are the output quadratures without coherent excitation.

TABLE I. Evaluation of the QND interaction. Shown are the quadrature transfer coefficients T_S and T_P and the conditional variance $V_{S|P}$ for two different gains G .

Quadrature	1.0		1.5	
	x	p	x	p
T_S	0.79 ± 0.03	0.71 ± 0.03	0.80 ± 0.03	0.71 ± 0.03
T_P	0.41 ± 0.02	0.39 ± 0.02	0.62 ± 0.03	0.56 ± 0.02
$T_S + T_P$	1.20 ± 0.05	1.10 ± 0.05	1.42 ± 0.06	1.27 ± 0.05
$V_{S P}$	0.75 ± 0.01	0.78 ± 0.01	0.61 ± 0.01	0.63 ± 0.01

variances for the various realizations: curves (i) represent ideal performance, curves (ii) are associated with our system with finitely squeezed ancillas, and curves (iii) are the performance of the system without squeezing of ancilla states. The parabolic curves are theoretical calculations, and the dots with vertical error bars along the curves (ii) and (iii) are the experimental results. The experimental results for $V_{S|P}$ are shown in Table I. No compensation of losses is carried out for these results.

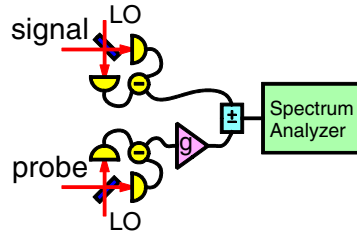
Our experiment demonstrates the canonical two-mode entangling gate. From the noise correlations in Fig. 4, we verify entanglement between the two output modes. According to Duan and Simon [16,17], a sufficient condition for an entangled state is,

$$\langle (\hat{x}_1^{\text{out}} - g\hat{x}_2^{\text{out}})^2 \rangle + \langle (\hat{p}_2^{\text{out}} + g\hat{p}_1^{\text{out}})^2 \rangle < 4|g|, \quad (7)$$

where g is the rescaling gain. Thus, if the parabolic curves in Fig. 4(b) and 4(c) go below the lines (iv) *simultaneously* for both quadratures, the two output modes are entangled, which is the case for curves (ii) with squeezed ancillas [18]. Note that the two-mode gate here has been applied to two coherent input states which, without the squeezed ancillas, would not become entangled via *any* linear optical transformation alone [see, e.g., curve (iii)].

In conclusion, we have demonstrated and fully characterized a close-to-unitary quantum nondemolition sum gate using only linear optics and off-line squeezed vacuum states. The performance of the sum gate was quantified by applying the usual QND criteria to each conjugate quadrature; we found that the gate operates in the quantum regime, entangling even two input coherent states. The future prospects of this demonstration are intriguing since the sum gate is an integral part of, e.g., a one-way quantum computer based on continuous variables [6] and quantum error correction protocols [7].

This work was partly supported by SCF, GIA, and G-COE commissioned by the MEXT of Japan, and the Research Foundation for Opt-Science and Technology. U.L.A. and A.H. acknowledge financial support from the EU under Project No. 212008 (COMPAS) and the Lundbeck foundation. P.v.L. acknowledges support from the Emmy Noether programme of the DFG in Germany.



(a) Setup of verification part.

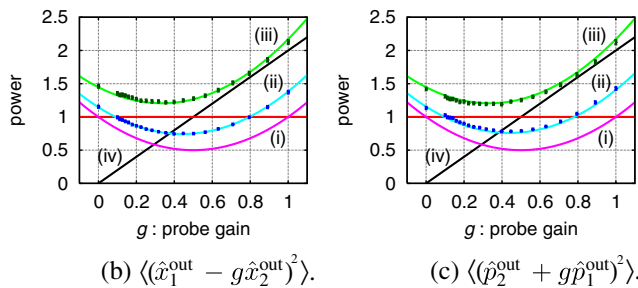


FIG. 4 (color online). Noise correlations between output quadratures, determining the conditional variances and verifying entanglement. (a) Experimental setup. The measured probe quadrature is rescaled with a variable gain g , added (subtracted) (\pm) to (from) the signal quadrature detector output, and analyzed with an electronic spectrum analyzer. Variances of $\hat{x}_1^{\text{out}} - g\hat{x}_2^{\text{out}}$ and of $\hat{p}_2^{\text{out}} + g\hat{p}_1^{\text{out}}$ are shown in (b) and (c), respectively: theoretical prediction for an ideal QND interaction (i), a QND interaction with finite degrees of squeezing of the ancilla modes (ii), and with vacuum ancilla modes (iii). By entering the areas below the lines (iv) entanglement is verified. The vertical axes are variances normalized to the shot noise power of the signal variable.

- [1] S. D. Bartlett *et al.*, Phys. Rev. Lett. **88**, 097904 (2002).
- [2] C. M. Caves *et al.*, Rev. Mod. Phys. **52**, 341 (1980); M. F. Bocko and R. Onofrio, Rev. Mod. Phys. **68**, 755 (1996).
- [3] For example, S. F. Pereira *et al.*, Phys. Rev. Lett. **72**, 214 (1994).
- [4] S. L. Braunstein and P. van Loock, Rev. Mod. Phys. **77**, 513 (2005).
- [5] J. Zhang and S. L. Braunstein, Phys. Rev. A **73**, 032318 (2006).
- [6] N. C. Menicucci *et al.*, Phys. Rev. Lett. **97**, 110501 (2006).
- [7] S. L. Braunstein, Phys. Rev. Lett. **80**, 4084 (1998); S. Lloyd and J.-J.E. Slotine, Phys. Rev. Lett. **80**, 4088 (1998).
- [8] M. M. Wilde *et al.*, Phys. Rev. A **75**, 060303(R) (2007).
- [9] M. J. Holland *et al.*, Phys. Rev. A **42**, 2995 (1990).
- [10] R. Filip *et al.*, Phys. Rev. A **71**, 042308 (2005).
- [11] J. Yoshikawa *et al.*, Phys. Rev. A **76**, 060301(R) (2007).
- [12] S. L. Braunstein, Phys. Rev. A **71**, 055801 (2005).
- [13] B. C. Buchler *et al.*, Phys. Rev. A **65**, 011803(R) (2001).
- [14] S. Suzuki *et al.*, Appl. Phys. Lett. **89**, 061116 (2006).
- [15] J.-Ph. Poizat *et al.*, Ann. Phys. (Paris) **19**, 265 (1994).
- [16] L.-M. Duan *et al.*, Phys. Rev. Lett. **84**, 2722 (2000).
- [17] R. Simon, Phys. Rev. Lett. **84**, 2726 (2000).
- [18] We can standardize Eq. (7) and eliminate dependence on g , by considering fictive local squeezings. The standard form of the inseparability criterion is $\langle (\hat{x}_1^{\text{out}} - \hat{x}_2^{\text{out}})^2 \rangle + \langle (\hat{p}_1^{\text{out}} + \hat{p}_2^{\text{out}})^2 \rangle < 4$. Experimentally obtained values are 2.57 ± 0.03 for $G = 1.0$ and 2.33 ± 0.03 for $G = 1.5$, which are smaller than 4.