

Technical University of Denmark



Controller reconfiguration based on LTR design

Niemann, Hans Henrik; Stoustrup, J.

Published in:

Proceedings of the 42nd IEEE Conference on Decision and Control

Link to article, DOI:

[10.1109/CDC.2003.1272988](https://doi.org/10.1109/CDC.2003.1272988)

Publication date:

2003

Document Version

Publisher's PDF, also known as Version of record

[Link back to DTU Orbit](#)

Citation (APA):

Niemann, H. H., & Stoustrup, J. (2003). Controller reconfiguration based on LTR design. In Proceedings of the 42nd IEEE Conference on Decision and Control (Vol. 3). IEEE. DOI: 10.1109/CDC.2003.1272988

DTU Library

Technical Information Center of Denmark

General rights

Copyright and moral rights for the publications made accessible in the public portal are retained by the authors and/or other copyright owners and it is a condition of accessing publications that users recognise and abide by the legal requirements associated with these rights.

- Users may download and print one copy of any publication from the public portal for the purpose of private study or research.
- You may not further distribute the material or use it for any profit-making activity or commercial gain
- You may freely distribute the URL identifying the publication in the public portal

If you believe that this document breaches copyright please contact us providing details, and we will remove access to the work immediately and investigate your claim.

Controller Reconfiguration based on LTR Design

Henrik Niemann
Ørsted•DTU, Automation
Technical University of Denmark
Building 326, DK-2800 Lyngby, Denmark
hnn@oersted.dtu.dk

Jakob Stoustrup
Dept. of Control Engineering
Aalborg University, Fr. Bajers Vej 7C
DK-9220 Aalborg, Denmark
jakob@control.auc.dk

Abstract—Design of Controller Reconfiguration (CR) for systems with sensor faults are considered in this paper. One way to accommodate a failing sensor, is by replacing it by an observer based on the remaining outputs. A similar approach can be applied for a faulty actuator by duality. By including observers in the loop to replace faulty components, the nominal feedback controller does not need to be redesigned. The CR observer design problem for the faulty sensors or actuators can be rewritten into a standard Loop Transfer Recovery (LTR) design problem, to which standard LTR design methods can be applied. Finally, it is shown that this CR architecture, where an CR observer is included in the feedback loop in between the system and the nominal controller, can be transformed into a more general fault tolerant Controller (FTC) architecture based on the Youla parameterization.

I. INTRODUCTION

The interest for using fault tolerant controllers are increasing. A number of both theoretical results as well as application examples has now been described in the literature, see e.g. [1], [2], [3], [7], [8], [11], [15], [17], [18], [20] to mention some of the relevant references in this area.

The focus in this paper will be on fault tolerance with respect to sensor faults. The dual fault case, actuator faults will not be considered in this paper. The reason is that actuator faults can be handled in the same way as sensor faults. These faults are quite common in connection with feedback control. It is therefore important that it is possible to handle these types of faults in a systematic way. Further, it is also important that the subsequent reconfiguration of the feedback controller after a fault in the system, is derived in a general and systematic way. It is further important that the applied Fault Tolerant Control (FTC) architecture is general, since else we need to derive new FTC architectures for every single type of faults. Finally, it is important that the design of the modified controller is systematic. This will make it possible to apply both standard design methods as well as to do the reconfiguration design automatically. Finally, the on-line change of the feedback controller should be done in a smooth way. This can be done by modifying the nominal feedback controller by a reconfiguration block instead of using a completely new redesigned feedback controller.

In connection with sensor faults, it is possible to handle these faults either by modifying the nominal controller, such that the faulty component is not applied in the feedback loop, or by using an estimation of the missing signals in the feedback loop. In the latter case, the nominal controller can

still be applied, we only need to modify the input or output signals from the systems to remove the effect from faults in a sensor or actuator. This concept has been introduced in [2], where observers have been applied as virtual sensors.

The design of these CR observers can be derived with respect to optimizing either the performance of the observer or with respect to optimizing the performance of the closed loop system. In the first case, standard observer design methods can be applied. In the second case, the observer design needs to be designed with respect to the overall performance of the feedback system. Including an observer in a feedback loop to recover measurement signals or control signals is a well known problem in the Loop Transfer Recovery theory, see [4], [10], [12], [13], [14]. The main concept in LTR is to design a target state feedback loop, which cannot, however, be implemented in the real system due to the instrumentation. In the LTR step, the target loop is recovered by using an observer based feedback controller, which can be implemented. This is equivalent with using observers in connection with sensor faults. One of the main results in this paper is to show how it is possible to transform the CR observer design problem into standard LTR design problems.

The second result of this paper deals with the implementation of the feedback controller including an CR observer. When an CR observer needs to be included in the feedback loop, we need to break the loop to do this. This might not always be acceptable. Instead, the CR observer can be included in the feedback loop by using the FTC architecture described in [7], [8], [11], [15]. This FTC architecture is based on the Youla parameterization, which makes it possible to change/modify the nominal controller without breaking the feedback loop. The modification of the controller is derived by including an additional loop around the nominal controller. Based on this FTC architecture, it will be shown in this paper how the CR observers can be included in the feedback loop by a proper design of the additional feedback loop around the nominal controller.

II. SYSTEM SETUP

Consider the following generalized nominal $(r+m) \times (q+p)$ system Σ ,

$$\Sigma : \begin{cases} \dot{x} = Ax + B_d d + B_u u \\ e = C_e x + D_{ed} d + D_{eu} u \\ y = C_y x + D_{y_d} d, \end{cases} \quad (1)$$

or given as transfer functions

$$\Sigma : \begin{cases} e = G_{ed}d + G_{eu}u \\ y = G_{yd}d + G_{yu}u \end{cases} \quad (2)$$

where $x \in \mathcal{R}^n$ is the state vector, $d \in \mathcal{R}^r$ is a disturbance signal vector, $u \in \mathcal{R}^m$ the control input signal vector, $e \in \mathcal{R}^q$ is the external output signal vector to be controlled, and $y \in \mathcal{R}^p$ is the measurement vector. Note, that it is assumed that there is no direct term from control input u to the measurement vector y . This can be done without loss of generality in the following.

Further, let the system be controlled by a stabilizing feedback controller given by:

$$u = K(s)y \quad (3)$$

where the controller $K(s)$ has the following state space realization:

$$\Sigma_C : \begin{cases} \dot{x}_c = A_c x_c + B_c y \\ u = C_c x_c + D_c y \end{cases} \quad (4)$$

and where $x_c \in \mathcal{R}^{n_c}$ is the controller state vector.

Let us consider the system given by (1) in the case of sensor faults and actuator faults. Sensor faults are modeled as a change in the output matrices C_y and D_{yd} . In many cases, a sensor fault will result in a reduction of the number of measurement signals, i.e. in a rank drop in the said matrices. In case of sensor faults, the system in (1) is given by,

$$\Sigma_{sen} : \begin{cases} \dot{x} = Ax + B_d d + B_u u \\ e = C_e x + D_{ed} d + D_{eu} u \\ y_f = C_{y,f} x + D_{y_d,f} d \end{cases} \quad (5)$$

It is assumed that the connection between the nominal output matrices in (1) and the faulty output matrices in (5) can be described by

$$\begin{aligned} C_{y,f} &= L_{sen} C_y \\ D_{y_d,f} &= L_{sen} D_{yd} \end{aligned} \quad (6)$$

where L_{sen} will in general be a singular matrix. The two faulty transfer functions in (2) is then given by

$$\begin{aligned} G_{y_d,f} &= L_{sen} G_{yd} \\ G_{y_u,f} &= L_{sen} G_{yu} \end{aligned} \quad (7)$$

III. DESIGN OF CONTROLLER RECONFIGURATION FOR SENSOR FAULTS

Consider the system in (5) including sensor faults. The design problem is to design a modified controller $K_{sen}(s)$ for the faulty system (5), such that the faulty system is stabilized and the closed loop performance is also optimized. The most obvious way to achieve this, is to optimize the faulty closed loop system with respect to the performance of the nominal closed loop system. For doing this, let us consider the closed loop system for the nominal system and for the faulty system.

Indeed, let the two closed loop transfer functions be given by $T_{ed,nom}$ and $T_{ed,sen}$ be given by

$$\begin{aligned} T_{ed,nom} &= G_{ed} + G_{eu}K(I - G_{yu}K)^{-1}G_{yd} \\ T_{ed,sen} &= G_{ed} + G_{eu}K_{sen}(I - G_{y_u,f}K_{sen})^{-1}G_{y_d,f} \end{aligned} \quad (8)$$

respectively.

From (8) we have that a sufficient condition for $T_{ed,nom}$ and $T_{ed,sen}$ to be identical is that

$$K_{sen}C_{y,f} = KC_y \wedge K_{sen}D_{y_d,f} = KD_{yd} \quad (9)$$

However, only in very rare cases, these two conditions will be satisfied, in which case, we will have to suffice with $T_{ed,nom}$ and $T_{ed,sen}$ being close.

First, let us consider a direct design of the faulty system. Based on the system setup given by (5) with sensor faults. The direct controller reconfiguration design problem is as follows.

Problem 1 Direct controller reconfiguration design. *Let a faulty system be given by (5). Design a stabilizing controller K_{sen} , if it exist, such that a suitable norm of the closed loop system $T_{ed,sen}$ is minimized.*

The advantages with this design problem is that the controller is optimized with respect to the original performance condition. The disadvantage with this design is that we get a new controller that will in general be completely different compared with the nominal controller.

Instead of making a direct design of K_{sen} , let us consider the difference between the nominal closed loop system and the faulty closed loop system given by

$$\begin{aligned} E_{ed,sen} &= T_{ed,nom} - T_{ed,sen} \\ &= G_{eu}[K(I - G_{yu}K)^{-1} \\ &\quad - K_{sen}(I - L_{sen}G_{y_u}K_{sen})^{-1}L_{sen}]G_{yd} \end{aligned} \quad (10)$$

and try to minimize this difference in a suitable sense by the design of K_{sen} . However, a direct optimization of (10) will not result in an optimal controller with respect to minimizing the effect from the external input d to the external output e . The reason is that the external disturbance input consist of disturbances on the system as well as measurement noise. The measurement noise is propagated through the system by D_{y_d} . It is natural to remove the measurement noise from the nominal closed loop transfer function $T_{ed,nom}$ in connection with the optimization of $E_{ed,sen}$ given in (10). The rationale behind this is, that there is no reason to recover measurement noise from the nominal closed loop system in the faulty closed loop system. Especially in connection with removed sensors due to faults, there is no reason to try to recover the measurement noise from these sensors in the faulty closed loop system where these sensors is not included. Removing

the measurement noise from the nominal closed loop system, we get the following nominal closed loop system

$$\bar{T}_{ed,nom} = (C_e + D_{eu}KC_y)(sI - A - B_uKC_y)^{-1}B_d + D_{ed} \quad (11)$$

Using $\bar{T}_{ed,nom}$ from (11) in the closed loop transfer error $E_{ed,sen}$ in (10) gives the following modified closed loop transfer error $\bar{E}_{ed,sen}$

$$\bar{E}_{ed,sen} = \bar{T}_{ed,nom} - T_{ed,sen} \quad (12)$$

Based on the above closed loop transfer error, we have the following direct CR recover design

Problem 2 Direct CR recovery design. *Let a faulty system be given by (5) and let the associated closed loop transfer error be given by (12). Design a stabilizing controller K_{sen} , if it exist, such that a suitable norm of the closed loop transfer error $\bar{E}_{ed,sen}$ is minimized.*

Again, we will get a new controller that will in general be a completely different controller compared with the nominal controller. This means that there are no advantages in implementation of the CR controller K_{sen} with respect to the nominal controller. Further, it can not be seen directly from the design problem, how well the nominal closed loop can be recovered. In principle, it is possible to analyze this problem directly. It is much easier, however, to analyze when a specific controller architecture is applied for the CR controller K_{sen} .

Let us include an observer in the loop as described in e.g. [2] when sensor faults appear. The observer will estimate the missing measurement signals and, thus, the nominal feedback controller can still be applied. The design of the observer can be derived in two ways: either by optimizing the observer to give a good estimate of the missing measurement signals or by optimizing in order to minimize a suitable norm of the closed loop transfer error given by (12). The first method is a standard observer design and will not be considered further in this paper. The second method is equivalent with the well known Loop Transfer Recovery design method, [10], [12], [14].

Let a full order observer be included in the feedback controller to estimate all measurement signals be given by

$$\begin{aligned} \dot{\hat{x}} &= A\hat{x} + B_u u - L(y_f - C_{y,f}\hat{x}) \\ \hat{y} &= C_y \hat{x} \end{aligned} \quad (13)$$

where L is the observer gain. Including the nominal feedback controller in the observer, we get the following fault tolerant controller

$$K_{sen} = KC_y(sI - A - B_uKC_y - LC_{y,f})^{-1}L \quad (14)$$

Based on the full order observer based feedback controller given by (14), it is possible to rewrite $\bar{E}_{ed,sen}$. Using the results from LTR, [10], [12], [14], $\bar{E}_{ed,sen}$ can be written as:

$$\bar{E}_{ed,sen} = \bar{T}_{ey,nom} M_{sen} \quad (15)$$

where $\bar{T}_{ey,nom}$ is the nominal closed loop transfer function from measurement signal y to the external output e without disturbances

$$\begin{aligned} \bar{T}_{ey,nom} &= \\ &((C_e + D_{eu}KC_y)(sI - A - B_uKC_y)^{-1}B_u + D_{eu})K \end{aligned} \quad (16)$$

and M_{sen} is given by

$$M_{sen} = C_y(sI - A - LC_{y,f})^{-1}(B_d + LD_{y,d,f}) \quad (17)$$

and is called the sensor recovery matrix, inspired by the classical LTR theory, where it is simply called the recovery matrix. Note that $\bar{T}_{ey,nom}$ is independent of the observer design. It depends only on the nominal feedback controller and the sensor recovery matrix M_{sen} depend on the observer design.

Based on (15), it is possible to minimize the closed loop transfer error either directly by minimizing $\bar{T}_{ey,nom}M_{sen}$ or indirectly by minimizing the sensor recovery matrix M_{sen} for the design of the observer. Let us consider the following indirect CR design problem for the sensor fault problem

Problem 3 Indirect CR recovery design. *Let a faulty system be given by (5) and let the associated closed loop transfer error be given by (12). Design a stabilizing observer based controller K_{sen} given by (14), if it exists, such that a suitable norm of the sensor recovery matrix M_{sen} is minimized.*

The CR design problem for systems with sensor faults has now been transformed into a standard LTR design problem. It is therefore possible to use all the analysis and design methods known from LTR in connection with CR design for systems with sensor faults.

There exist a number of different methods for design of LTR controllers that can be applied directly in connection with an optimization of the sensor recovery matrix.

Finally, let us consider a few design methods for the CR observer. All the well known design methods from LTR can be applied directly. For a description of LTR design methods, see e.g. [10], [12], [14]. The most well-known LTR design method is the LQG/LTR design method. It is based on the classical LQG design method with a special selection of the covariance matrices, see e.g. [4], [13]. It is also possible to use \mathcal{H}_2 or \mathcal{H}_∞ methods for optimization of the recovery matrix, i.e. \mathcal{H}_2 /LTR and \mathcal{H}_∞ /LTR design, see [10], [12], [14]. These two design methods are based on a minimization of the \mathcal{H}_2 norm or the \mathcal{H}_∞ norm of the recovery matrix with the design of the observer gain. These two design problems can be formulated as a standard design problem. Using the standard setup, the CR recovery design problem can be transformed into the setup shown in Figure 1, where $P_{M_{sen}}$ is given by

$$P_{M_{sen}} = \left(\begin{array}{c|cc} A & B_d & I \\ \hline C_y & 0 & 0 \\ C_{y,f} & D_{y,d,f} & 0 \end{array} \right) \quad (18)$$

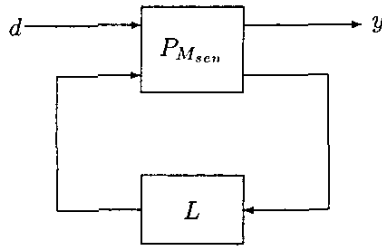


Fig. 1. The design setup for implicit recovery design

We then have the following CR recovery design problem.

Problem 4 CR recovery design. Let the recovery matrix M_{sen} be given by

$$M_{sen} = C_y(sI - A - LC_{y,f})^{-1}(B_d + LD_{y,d,f})$$

The CR recovery design problem is to design a proper, real-rational controller L , if such exist, which stabilizes $P_{M_{sen}}$ internally and minimize the a suitable norm of the M_{sen} .

The \mathcal{H}_2 or the \mathcal{H}_∞ can be applied in connection with the minimization of the M_{sen} .

IV. IMPLEMENTATION OF CONTROLLER RECONFIGURATION

The implementation of the CR controllers will be considered in the following. A direct method to implement the CR part of the feedback controller considered in Section III is to include an observer (for sensor faults) or a dual observer (for actuator faults) in between the system and the nominal controller. This CR architecture has been considered in [2], where a reconfiguration block is included between the system and the nominal controller.

This architecture modifies the input/outputs from the system such that the nominal controller does not need to be modified. This mean that the reconfiguration block will depend strongly on the type of faults appearing in the system.

Another architecture has been considered in [7], [11], [15]. This architecture is based on the Youla parameterization. In contrast with the setup used in [2], the nominal controller is applied directly on the faulty system. Instead, the nominal controller is modified by a CR block that is connected to the nominal controller. This CR block is a general block where the structure does not depend on the fault case.

Before this FTC architecture is described in more details, the Youla parameterization is shortly introduced.

A. The Youla Parameterization

Let a coprime factorization of the system $G_{yu}(s)$ from (2) and a stabilizing controller $K(s)$ from (4) be given by:

$$\begin{aligned} G_{yu} &= NM^{-1} = \tilde{M}^{-1}\tilde{N}, \quad N, M, \tilde{N}, \tilde{M} \in \mathcal{RH}_\infty \\ K &= UV^{-1} = \tilde{V}^{-1}\tilde{U}, \quad U, V, \tilde{U}, \tilde{V} \in \mathcal{RH}_\infty \end{aligned} \quad (19)$$

where the eight matrices in (19) must satisfy the double Bezout equation given by, see [19]:

$$\begin{aligned} \begin{pmatrix} I & 0 \\ 0 & I \end{pmatrix} &= \begin{pmatrix} \tilde{V} & -\tilde{U} \\ -\tilde{N} & \tilde{M} \end{pmatrix} \begin{pmatrix} M & U \\ N & V \end{pmatrix} \\ &= \begin{pmatrix} M & U \\ N & V \end{pmatrix} \begin{pmatrix} \tilde{V} & -\tilde{U} \\ -\tilde{N} & \tilde{M} \end{pmatrix} \end{aligned} \quad (20)$$

Based on the above coprime factorization of the system $G_{yu}(s)$ and the controller $K(s)$, we can give a parameterization of all controllers that stabilize the system in terms of a stable parameter $Q(s)$, i.e. all stabilizing controllers are given by [16]:

$$K(Q) = U(Q)V(Q)^{-1} \quad (21)$$

where

$$U(Q) = U + MQ, \quad V(Q) = V + NQ, \quad Q \in \mathcal{RH}_\infty$$

Using the Bezout equation, the controller given either by (21) can be realized as an LFT in the parameter Q ,

$$K(Q) = \mathcal{F}_l(J_K, Q) \quad (22)$$

where J_K is given by

$$J_K = \begin{pmatrix} UV^{-1} & \tilde{V}^{-1} \\ V^{-1} & -V^{-1}N \end{pmatrix} \quad (23)$$

Reorganizing the controller $K(Q)$ given by (22) results in the closed loop system depicted in Figure 2, [16].

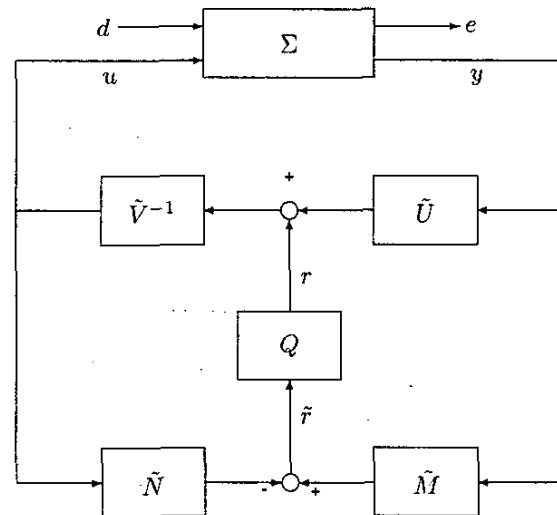


Fig. 2. Controller structure, with parameterization

An important observation is the following relatively simple expression for the transfer function from the external input d to the external output e terms of the parameter Q :

$$\begin{aligned} e &= (G_{ed} + G_{eu}K(Q)(I - G_{yu}K(Q))^{-1}G_{yd})d \\ &= (G_{ed} + G_{eu}U\tilde{M}\tilde{G}_{yd} + G_{eu}MQ\tilde{M}\tilde{G}_{yd})d \end{aligned}$$

where (20) has been exploited. Note, that the transfer function relating d and e is affine in Q .

B. Fault Tolerant Controller Architecture

An architecture for fault tolerant controllers will now be proposed, based on the Youla parameterization shown in the block diagram in Figure 2. There is a number of reasons for using the architecture from the Youla parameterization in connection with FTC. Using this architecture, the Q parameter will be the CR part of the controller. This means that the CR part of the feedback controller is a modification of the existing controller. Thus, a controller change when a fault appears in the system is not a complete shift to another controller, but only a modification of the existing controller by adding a correction signal in the nominal controller, the r signal in Figure 2. However, it should be pointed out that it is possible to modify the controller arbitrarily by designing the Youla parameter Q , see e.g. [9], [16], since this parameterization eventually yields any stabilizing compensator.

Another important thing is that the architecture includes also a parameterization of all residual generators. All residual signals can be described by, [5], [6]

$$r_{FDI} = Q_{FDI} \tilde{r} = Q_{FDI} (\tilde{M}y - \tilde{N}u) \quad (24)$$

This means that it is possible to combine both fault diagnosis and fault tolerant control in the same architecture without any problems. A block diagram for this combined FDI and CR architecture, (FTC architecture) based on the Youla parameterization is shown in Figure 3 for three potential faults - the generalization to any number of faults should be obvious.

C. Implementation of Fault Tolerant Controllers

The FTC architecture shown in Figure 3 will now be applied for the implementation of the CR controller considered in Section III. The implementation of the observer based feedback controller based on the FTC architecture can be derived by using the following result from [9]:

Theorem IV.1 Let a system be given by (1) and let two stabilizing controllers for the system be given by $K_0 = U_0 V_0^{-1}$ and $K_1 = \tilde{V}_1^{-1} \tilde{U}_1$. Then K_1 can be implemented as $K_0(Q)$ where the stable Q parameter is given by:

$$Q = X(\tilde{U}_1 V_0 - \tilde{V}_1 U_0) = X \tilde{Q}_1$$

or

$$Q = X(\tilde{V}_1(K_1 - K_0)V_0)$$

where

$$X = M_0^{-1} M_1$$

Proof: See [9]. ■

Using the above theorem, we have directly that it is possible to implement the CR controller given by (14) as

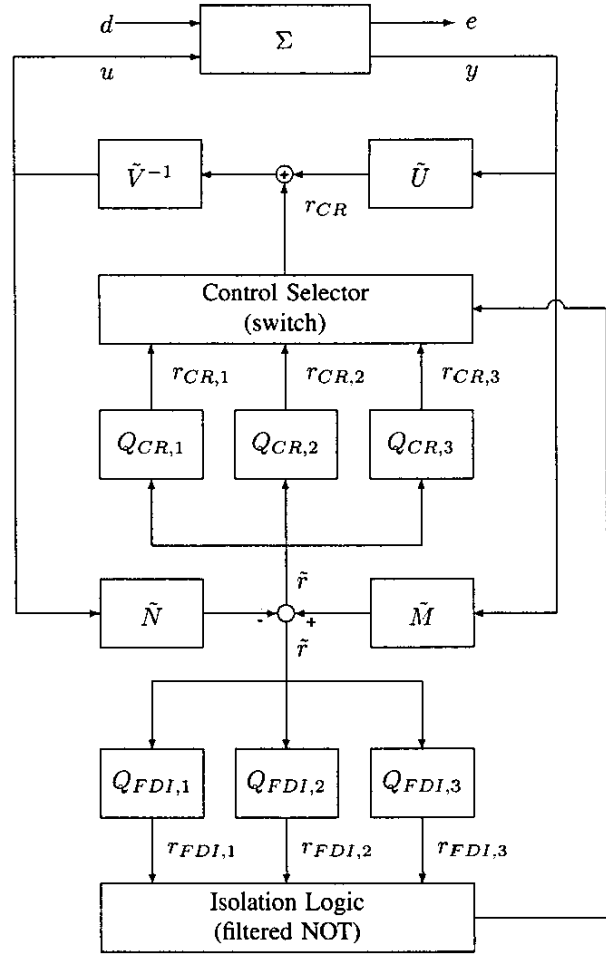


Fig. 3. Fault tolerant scheme with three potential faults. The residual signal is used both for isolation and for feedforward in the fault handling.

function of the nominal controller K and a CR parameter Q_{CR} . Let the CR controllers for the sensor faults given in (14), and the faulty system have the following coprime factorization

$$\begin{aligned} K_{sen} &= \tilde{V}_{sen}^{-1} \tilde{U}_{sen} = U_{sen} V_{sen}^{-1} \\ G_{yu} &= N_{sen} M_{sen}^{-1} = \tilde{M}_{sen}^{-1} \tilde{N}_{sen} \end{aligned} \quad (25)$$

where the 8 stable coprime factors satisfies the double Bezout equation (20).

Based on Theorem IV.1 and the coprime factorization of the CR controllers given by (25), we have the following result.

Theorem IV.2 Let the CR controllers for the sensor fault case be given by K_{sen} , with the coprime factorization given by (25). The implementation of the controller in the general FTC architecture is possible by using

$$Q_{CR, sen} = M^{-1} M_{sen} (\tilde{U}_{sen} V - \tilde{V}_{sen} U)$$

for the sensor fault case.

In connection with the above theorem, it is important to note that in contrast to the nominal controller, the final controller $K_{sen}(Q_{CR,sen})$ will not depend on the faulty signals at all.

V. CONCLUSION

The controller reconfiguration problem for systems with sensor faults has been considered in this paper. The CR problem can be solved by including an observer in the feedback loop to compensate the missing sensor signals. The design of the CR observers is based on the criterion that the fault free nominal feedback loop must be recovered as good as possible. Based on this criterion, the design problem is equivalent with the well known LTR design of observer based feedback controllers. All the standard LTR design methods can be applied for the design of the FTC observers.

Further, it is shown that including an CR observer in the feedback loop to compensate for sensor faults can be implemented by using the general FTC architecture. The CR observer can be included in the feedback loop by including an additional loop around the nominal feedback controller, i.e. using the Youla parameterization. As a consequence of this, we do not need to break the loop to include CR observers in the feedback loop - the fault tolerance is achieved by an additive correction signal. The actuator fault case can be handled in the same way.

VI. REFERENCES

- [1] M. Blanke, C.W. Frei, F. Kraus, R.J. Patton, and M. Staroswiecki. What is fault-tolerant control? In *Preprints of 4th IFAC Symposium on Fault Detection Supervision and Safety for Technical Processes, SAFEPROCESS'2000*, pages 40–51, Budapest, Hungary, 2000.
- [2] M. Blanke, M. Kinnaert, J. Lunze, and M. Staroswiecki. *Diagnosis and Fault-Tolerant Control*. Springer, 2003.
- [3] M. Blanke, M. Staroswiecki, and E. Wu. Concepts and methods in fault-tolerant control. In *Proceedings of American Control Conference, ACC-2001*, pages 2606–2620, Washington DC, USA, 2001.
- [4] J.C. Doyle and G. Stein. Robustness with observers. *IEEE Transactions on Automatic Control*, 24:607–611, 1979.
- [5] P.M. Frank and X. Ding. Frequency domain approach to optimally robust residual generation and evaluation for model-based fault diagnosis. *Automatica*, 30:789–804, 1994.
- [6] J. Gertler. *Fault detection and diagnosis in engineering systems*. Marcel Dekker, 1998.
- [7] H. Niemann and J. Stoustrup. An architecture for fault tolerant controllers. Submitted for journal publication, January 2003.
- [8] H. Niemann and J. Stoustrup. Passive fault tolerant control of an inverted double pendulum - A case study example. In *Proceedings of IFAC SAFEPROCESS 2003*, pages 1029–1034, Washington, DC, USA, 2003.
- [9] H. Niemann, J. Stoustrup, and R.B. Abrahamsen. A note on implementation of multivariable controllers. Submitted for publication, November 2002.
- [10] H.H. Niemann, P. Sogaard-Andersen, and J. Stoustrup. Loop transfer recovery for general observer architectures. *International Journal of Control*, 53:1177–1203, 1991.
- [11] H.H. Niemann and J. Stoustrup. Reliable control using the primary and dual Youla parameterization. In *Proceedings of the 41st IEEE Conference on Decision and Control*, pages 4353–4358, Las Vegas, NV, USA, 2002.
- [12] A. Saberi, B. M. Chen, and P. Sannuti. *Loop Transfer Recovery: Analysis and Design*. Springer-Verlag, 1993.
- [13] G. Stein and A. Athans. The LQG/LTR procedure for multivariable feedback control design. *IEEE Transactions on Automatic Control*, 32:105–114, 1987.
- [14] J. Stoustrup and H.H. Niemann. State space solutions to the \mathcal{H}_∞ /LTR design problem. *International Journal of Robust and Nonlinear Control*, 3:1–45, 1993.
- [15] J. Stoustrup and H.H. Niemann. Fault tolerant feedback control using the youla parameterization. In *Proceedings of the 6th European Control Conference*, Porto, Portugal, September 2001.
- [16] T.T. Tay, I.M.Y. Mareels, and J.B. Moore. *High performance control*. Birkhäuser, 1997.
- [17] N.E. Wu, Y. Zhang, and K. Zhou. Detection, estimation and accommodation of loss of control effectiveness. *International Journal of Adaptive Control and Signal Processing*, 14:775–795, 2000.
- [18] N.E. Wu, K. Zhou, and G. Salomon. Control reconfigurability of linear time-invariant systems. *Automatica*, 36:1767–1771, 2000.
- [19] K. Zhou, J.C. Doyle, and K. Glover. *Robust and optimal control*. Prentice Hall, 1995.
- [20] K. Zhou and Z. Ren. A new controller architecture for high performance robust, and fault-tolerant control. *IEEE Transactions on Automatic Control*, 46(10):1613–1618, 2001.