



**Learner
Support
Services**

The University of Bradford Institutional Repository

<http://bradscholars.brad.ac.uk>

This work is made available online in accordance with publisher policies. Please refer to the repository record for this item and our Policy Document available from the repository home page for further information.

To see the final version of this work please visit the publisher's website. Where available access to the published online version may require a subscription.

Author(s): Jalboub, M. K., Rajamani, Haile S., Liang, D. T. W., Abd-Alhameed, Raed A., and Ihabal, A. M.

Title: Investigation of Voltage Stability Indices to Identify Weakest Bus (TBC).

Publication year: 2010

Conference title: 6th International ICST Conference on Mobile Multimedia Communications, (MobiMedia 2010), Lisbon, Portugal, 6-8 September, 2010.

Publisher: ICST

Link to conference site: <http://www.mobimedia.org/2010/index.html>

Citation: Jalboub, M. K., Rajamani, H. S., Liang, D. T. W., Abd-Alhameed, R. A. and Ihabal, A. M. (2010). Investigation of Voltage Stability Indices to Identify Weakest Bus (TBC). In: 6th International ICST Conference on Mobile Multimedia Communications, (MobiMedia 2010), Lisbon, Portugal, 6-8 September, 2010. ICST. ISBN: 978-963-9799-98-1. Paper No. 7, pp. 1-8.

Copyright statement: © ICST 2010. This is the author's version of the work. It is posted here by permission of ICST for personal use. Not for redistribution. The definitive version was published in 6th International ICST Conference on Mobile Multimedia Communications, (MobiMedia 2010), Lisbon, Portugal, 6-8 September, 2010. ICST. ISBN: 978-963-9799-98-1. Paper No. 7, pp. 1-8.

Investigation of Voltage Stability Indices to Identify Weakest Bus (TBC)

M. K. Jalboub, H. S. Rajamani, D.T.W. Liang, R. A. Abd-Alhameed, A. M. Ihabal

School of Engineering, and Design and technology
Bradford University, Bradford, BD7 1DP, UK
M.K.JALBOUB@Bradford.ac.uk
H.S.RAJAMANI@Bradford.ac.uk
D.T.W..LIANG@Bradford.ac.uk
R.A.A.ABD@Bradford.ac.uk
A.M.I.IHBAL@Bradford.ac.uk

Abstract. This paper proposes a new index to determine the static voltage stability of the load buses in a power network for certain operating conditions and hence identifies load buses which are close to voltage collapse. The proposed index is formulated from the quadratic equation derived from a two-bus network and is computed using the apparent power and the line impedance. The proposed index shows how far the load buses from their voltage stability limit and hence the most sensitive bus can be identified according to maximum loadability. 14 bus IEEE reliability test system is used to study the performance of the proposed index for its validity. A comparison is also made between proposed index and some other indices found in the literature. The results are discussed and key conclusion drawn.

Keywords: Static stability indices, quadratic equation, apparent power, transmission line impedance, loadability.

1. Introduction

The phenomenon of voltage collapse has been observed in many countries and has been analyzed extensively in recent years [1-3]. During the last decade, voltage collapse phenomena have attracted more and more attention throughout the world, and several studies have been presented which relate to this problem [4-18]. More researchers have come to believe that voltage stability is dynamic stability and dynamic stability should be applied. However, in this paper only static analysis is presented.

The literature shows extensive work done on static voltage stability, and several voltage stability indices were derived from static power flow analysis. The values of these indices were calculated for each transmission line based on load flow calculation results. The transmission line with largest value was taken as the weakest line, and the bus with minimum loadability was taken as the most sensitive bus, and a

suitable reactive power source (FACTS technology) must be connected at the appropriate location (weakest bus). This paper proposes a new index to determine the static voltage stability of the load buses in a power network for certain operating conditions, and hence identifies load buses which are close to voltage collapse. The proposed index is formulated from the quadratic equation derived from a two-bus network and is computed using the apparent power and the line impedance. The proposed index shows how far the load buses from their voltage stability limit, and hence the most sensitive bus can be identified according to maximum loadability. The 14 bus IEEE reliability test system is used to study the performance of the proposed index for its validity. A comparison is also made between proposed index, and LQP proposed by Mohamed [19], and the FVSI index proposed by Musirin [20].

2. Review of line indices

Fast Voltage Stability Index (FVSI):

FVSI index was proposed by Musirin [20] and is given by,

$$FVSI = \frac{4ZQ_j}{V_i^2 X} \leq 1$$

where Z is the transmission line impedance, X is the transmission line reactance, Q_j is the receiving reactive power, and V_i is the sending end voltage.

Line Stability Factor (LQP):

LQP was proposed by Mohamed [19] and is given by,

$$LQP = 4 \left[\left(\frac{X}{V_i^2} \right) \left(\frac{X}{V_i^2} P_i^2 + Q_j \right) \right] \leq 1$$

where P_i is the sending end active power.

3. Proposed Index Formulation

Consider the two-bus power system sketched in Fig. 1. The symbols may be identified as follows:

- V_i , the sending end voltage
- V_j , the receive end voltage
- Z_{ij} , the transmission line impedance
- S_i , the sending end apparent power
- S_j , the receiving end apparent power

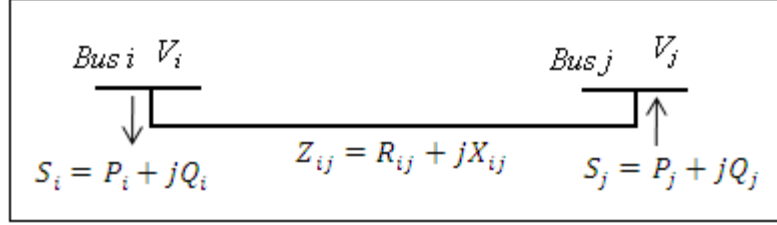


Fig. 1 Single line diagram of two bus system

The quadratic equation for the voltage at receiving end is given by:

$$|V_j|^4 + |V_j|^2 [2(P_j R_{ij} + Q_j X_{ij}) - |V_i|^2] + R_{ij}^2 P_j^2 + X_{ij}^2 Q_j^2 + X_{ij}^2 P_j^2 + R_{ij}^2 Q_j^2 = 0$$

The solution for V_j is,

$$|V_j| = \pm \sqrt{\frac{|V_i|^2 - 2(P_j R_{ij} + Q_j X_{ij}) \pm \sqrt{|V_i|^2 - 2(P_j R_{ij} + Q_j X_{ij}) - 4(R_{ij}^2 + X_{ij}^2)(P_j^2 + Q_j^2)}}{2}}$$

which may be simplified by setting ,

$$a = |V_i|^2 - 2(P_j R_{ij} + Q_j X_{ij}) \text{ and } b = (R_{ij}^2 + X_{ij}^2)(P_j^2 + Q_j^2)$$

and so,

$$|V_j| = \pm \sqrt{\frac{a \pm \sqrt{a^2 - 4b}}{2}}$$

Thus there are four solutions for V_j : two positive, and two negative. Since V_j must be non-negative, the two negative solution are not true. To derive a positive feasible solution for a real system, the expression under the square root must be positive, i.e. $a \pm \sqrt{a^2 - 4b} \geq 0$ (or $a^2 - 4b \geq 0$). Since b is greater than zero, a must be greater than for the condition to satisfied, so

$$0 < \frac{2\sqrt{b}}{a} \leq 1$$

By substituting a and b we define new voltage stability index as,

$$LSZ = 2 \frac{\sqrt{(R_{ij}^2 + X_{ij}^2)(P_j^2 + Q_j^2)}}{|V_i|^2 - 2(P_j R_{ij} + Q_j X_{ij})}$$

Simplifying this expression gives,

$$LSZ = 2 \frac{|Z||S|}{|V_i|^2 - 2|Z|(P_j \cos\theta + Q_j \sin\theta)} \leq 1$$

The transmission line with largest value of LSZ is taken as the weakest line and must receive special care to maintain voltage stability within a certain limit.

4-Methodology

The voltage stability analysis was conducted on IEEE 14 bus reliability test system [19] to permit an objective comparison with other indices. This system has 5 generator busbars, 9 load busbars, and 20 interconnected systems. Fig.2 shows the single line diagram for the test system. The reactive power loading is increased gradually at the chosen bus each time, until near to voltage collapse, keeping the loads on the other buses constant. From the results, the proposed index LSZ was calculated at each line for every load change.

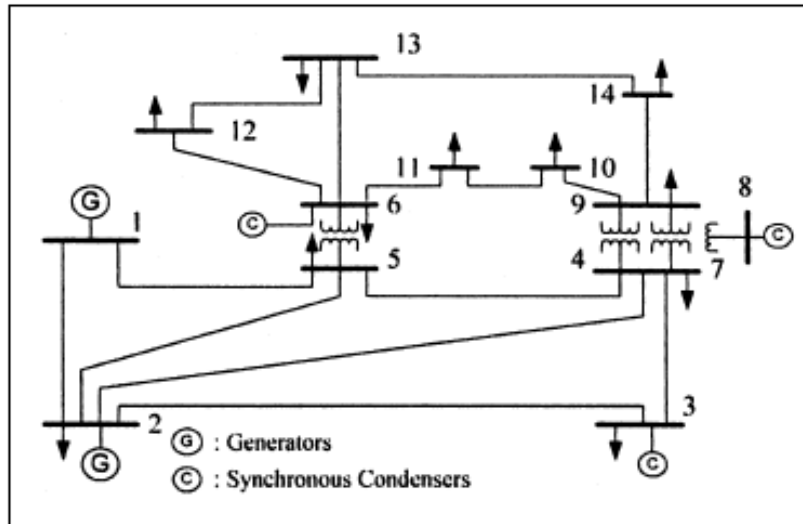


Fig. 2 Single line diagram for IEEE 14 bus test system [21]

5. Results and discussions

Fig.3 (a, b, c) shows the LSZ is plotted versus reactive power load change at buses (10, 12, and 14). It is clear from the graphs that the line with highest LSZ is ranked as the most sensitive line. Therefore, the line connecting bus 13 to bus 14 is the most critical line, and bus 14 is ranked as the most sensitive bus (weakest bus) because it has the minimum loadability compared with the other lines. Fig.4 (a, b, c) shows FVSI, LQP, and LSZ are plotted versus reactive power load change together with the load voltage for selected load buses (10, 12, 14). From the graph it appears that bus 14 is the most sensitive as it reaches the stability limit for minimum loadability.

6. Conclusions

A study of the differences between voltage stability indices used in voltage stability analysis has been presented. These differences are recommended as important issues in the design of reactive power sources such as FACTS controllers to critical buses. A new index related to the voltage drop in the critical bus was proposed and investigated. Computed results were compared to the other previous published data [22, 23] and shown a satisfactory agreement.

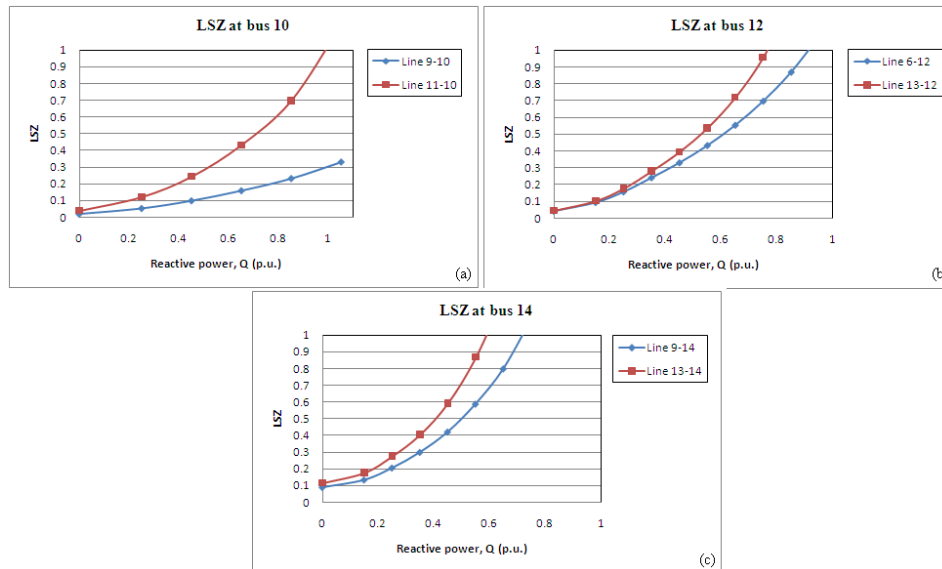


Fig. 3 LSz vs reactive power loading at buses (10, 12, 10) of 14 bus IEEE test system

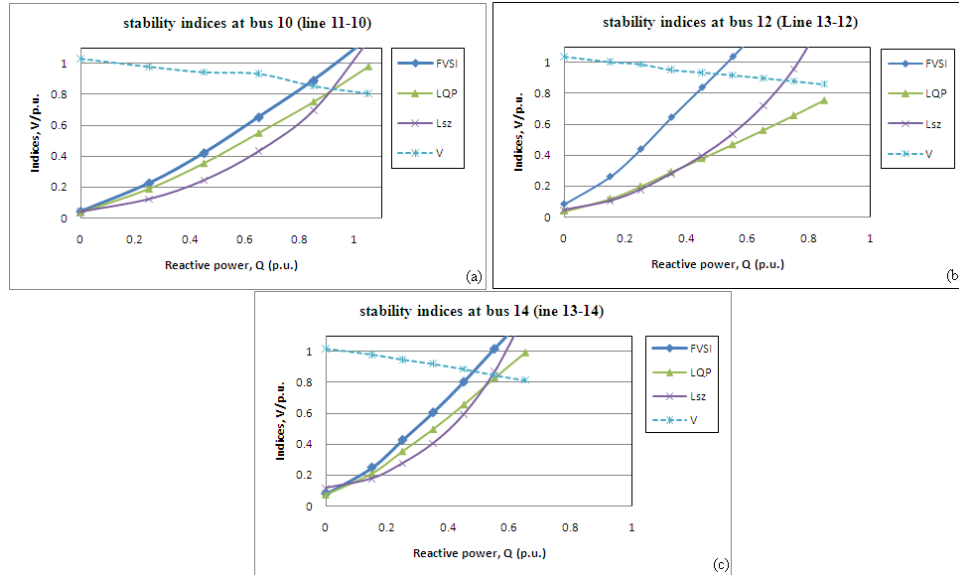


Fig. 4(a,b,c) V, L_{sz} , FVSI, and LQP vs reactive power loading at buses (10, 12, and 14)

References

- [1] IEEE, Special publication 90TH0358-2-PWR, "voltage stability of power systems":
- [2] CIGRE Task Force 38-02-10, Modeling of voltage collapse including dynamic phenomena, 1993.
- [3] Reports of 230_400 kV transmission system faults in Iran's Power Network, National Dispatching Department of Iran, January 2001.
- [4] "Voltage stability of power systems: concepts, analytical tools, and industry experience". IEEE Publication 90 TH0358-2-PWR, IEEE Service Center, New Jersey, 1990.
- [5] DEHNEL, M., and DOMMEL, H.W.: "A method for identifying weak nodes in non-convergent load flows", *IEEE Trans. Power Syst.*, 1989, 4, (2), pp. 801-806.
- [6] BERG, G.J.: "Assessment of critical voltage and load margins in VAR-compensated power transmission systems", *Electr. Power Syst. Res.*, 1987, 12, pp. 63-69.
- [7] KWATNY, H.G., PASRIJA, A.K., and BAHAR, L.Y.: "Static bifurcation in electric power networks: loss of steady-state stability and voltage collapse", *IEEE Trans.*, 1986, CAS-33, (10), pp. 981-991.
- [8] ABE, S., FUKUNAGA, Y., ISONO, A., and KONDO, B.: "Power system voltage stability", *IEEE Trans.*, 1982, PAS-101, (10), pp.3830-3840.
- [9] KESSEL, P., and GLAVITSCH, H.: "Estimating the voltage stability of a power system", *IEEE Trans.*, 1986, PWRD-1, (3), pp. 346-354
- [10] GAO, B., and MORISON, G.K. : "Voltage stability evaluation using modal analysis", *IEEE Trans. Power Syst.*, 1992, pp. 1529-1542.
- [11] CHEBBO, A.M., IRVING, M.R., and STERLING, M.J.H.: "Voltage collapse proximity indicator: behaviour and implications", *IEEE h o c. C.*, 1992, 139, (3), pp. 241-252.
- [12] CHEBBO, A.M., IRVING, M.R., and STERLING, M.J.H.: "Reactive power dispatch incorporating voltage stability", *IEE Proc. C.*, 1992, 139, (3), pp. 253-260.

- [13] CALVAER, A.: "Voltage stability and voltage collapse". CIGRE report, Paper 38.02, April 1985.
- [14] OBADINA, O.O., and BERG, G.J.: "Identifying electrically weak and strong segments of a power system from a voltage stability viewpoint", *IEE Proc. C*, 1990,137, (3). pp. 205-212.
- [15] LOF, P.-A., SEMED, T., ANDERSON, G., and HILL, D.J.: "Fast calculation of a voltage stability index", *IEEE Trans. Power Syst.*, 1992,7, (1), pp. 54-64.
- [16] LOF, P.-A., ANDERSON, G., and HILL, D.J.: "Voltage stability indices for stressed power systems", *IEEE Trans. Power Syst.*, 1993, 8, (1), pp. 326-335.
- [17] Suganyadevia, M.V.; Babulal, C.K.; , "Estimating of loadability margin of a power system by comparing Voltage Stability Indices," *Control, Automation, Communication and Energy Conservation, 2009. INCACEC 2009. 2009 International Conference on* , vol., no., pp.1-4, 4-6 June 2009.
- [18] Massucco, S.; Grillo, S.; Pitto, A.; Silvestro, F.; , "Evaluation of some indices for voltage stability assessment," *PowerTech, 2009 IEEE Bucharest* , vol., no., pp.1-8, June 28 2009-July 2 2009.
- [19] A. Mohamed, G. B. Jasmon and S. Yussif," A static voltage collapse indicator using line Stability Factors," *Journal of Industrial technology*, Vol.7, No.1.PtC, pp. 73-85, 1989
- [20] Musirin, I.; Abdul Rahman, T.K., "Novel fast voltage stability index (FVSI) for voltage stability analysis in power transmission system," *Research and Development, 2002. SCORED 2002. Student Conference on* , vol., no., pp. 265-268, 2002.
- [21] Power system test Archive-UWEE (University of Washington) available Online, <http://www.ee.washington.edu/research/pstca>.
- [22] Phadke, A.R.; Bansal, S.K.; Niazi, K.R.; , "A Comparison of Voltage Stability Indices for Placing Shunt FACTS Controllers," *Emerging Trends in Engineering and Technology, 2008. ICETET '08. First International Conference on* , vol., no., pp.939-944, 16-18 July 2008.
- [23] Verayiah, R.; Abidin, I.Z.; , "A Study on static voltage collapse proximity indicators," *Power and Energy Conference, 2008. PECon 2008. IEEE 2nd International* , vol., no., pp.531-536, 1-3 Dec. 2008.