

Robotic system and method for manufacturing of objects

Gravesen, Jens; Brander, David; Bærentzen, Jakob Andreas; Markvorsen, Steen; Nørbjerg, Toke Bjerger; Steenstrup, Kasper Hornbak

Publication date:
2017

Document Version
Publisher's PDF, also known as Version of record

[Link back to DTU Orbit](#)

Citation (APA):
Gravesen, J., Brander, D., Bærentzen, J. A., Markvorsen, S., Bjerger Nørbjerg, T., & Hornbak Steenstrup, K. (2017). IPC No. G06T 17/ 30 A I. Robotic system and method for manufacturing of objects (Patent No. WO2017157917.)

DTU Library

Technical Information Center of Denmark

General rights

Copyright and moral rights for the publications made accessible in the public portal are retained by the authors and/or other copyright owners and it is a condition of accessing publications that users recognise and abide by the legal requirements associated with these rights.

- Users may download and print one copy of any publication from the public portal for the purpose of private study or research.
- You may not further distribute the material or use it for any profit-making activity or commercial gain
- You may freely distribute the URL identifying the publication in the public portal

If you believe that this document breaches copyright please contact us providing details, and we will remove access to the work immediately and investigate your claim.



(51) International Patent Classification:

<i>B26D 3/00</i> (2006.01)	<i>B25J 9/16</i> (2006.01)
<i>B26F 3/08</i> (2006.01)	<i>B25J 11/00</i> (2006.01)
<i>B26D 5/00</i> (2006.01)	<i>B26D 1/547</i> (2006.01)
<i>B26D 5/06</i> (2006.01)	<i>G06T 17/20</i> (2006.01)
<i>B26D 5/08</i> (2006.01)	<i>G06T 17/30</i> (2006.01)
<i>B26D 7/01</i> (2006.01)	<i>G05B 19/4099</i> (2006.01)
<i>B25J 9/00</i> (2006.01)	<i>B26D 1/00</i> (2006.01)

(21) International Application Number:

PCT/EP2017/055958

(22) International Filing Date:

14 March 2017 (14.03.2017)

(25) Filing Language:

English

(26) Publication Language:

English

(30) Priority Data:

16160088.7 14 March 2016 (14.03.2016) EP

(71) Applicant: DANMARKS TEKNISKE UNIVERSITET [DK/DK]; Anker Engelunds Vej 101 A, 2800 Kgs. Lyngby (DK).

(72) Inventors: GRAVESEN, Jens; Hummeltoftevej 82B, 2830 Virum (DK). BRANDER, David; Fuglevadsvej 1D,

2800 Kgs. Lyngby (DK). BÆRENTZEN, Jakob, Andreas; Gasværksvej 12 c, 1656 Copenhagen V (DK). MARKVORSEN, Steen; Bækkeskovvej 17, 2700 Brønshøj (DK). BJERGE NØRBJERG, Tøke; Hesseløgade 9, 3.tv., 2100 Copenhagen Ø (DK). HORNBK STEENSTRUP, Kasper; Nørgaardsvej 18E, 1.th., 2800 Kgs. Lyngby (DK).

(74) Agent: HØIBERG P/S; Adelgade 12, 1304 Copenhagen K (DK).

(81) Designated States (unless otherwise indicated, for every kind of national protection available): AE, AG, AL, AM, AO, AT, AU, AZ, BA, BB, BG, BH, BN, BR, BW, BY, BZ, CA, CH, CL, CN, CO, CR, CU, CZ, DE, DJ, DK, DM, DO, DZ, EC, EE, EG, ES, FI, GB, GD, GE, GH, GM, GT, HN, HR, HU, ID, IL, IN, IR, IS, JP, KE, KG, KH, KN, KP, KR, KW, KZ, LA, LC, LK, LR, LS, LU, LY, MA, MD, ME, MG, MK, MN, MW, MX, MY, MZ, NA, NG, NI, NO, NZ, OM, PA, PE, PG, PH, PL, PT, QA, RO, RS, RU, RW, SA, SC, SD, SE, SG, SK, SL, SM, ST, SV, SY, TH, TJ, TM, TN, TR, TT, TZ, UA, UG, US, UZ, VC, VN, ZA, ZM, ZW.

(84) Designated States (unless otherwise indicated, for every kind of regional protection available): ARIPO (BW, GH,

[Continued on next page]

(54) Title: ROBOTIC SYSTEM AND METHOD FOR MANUFACTURING OF OBJECTS

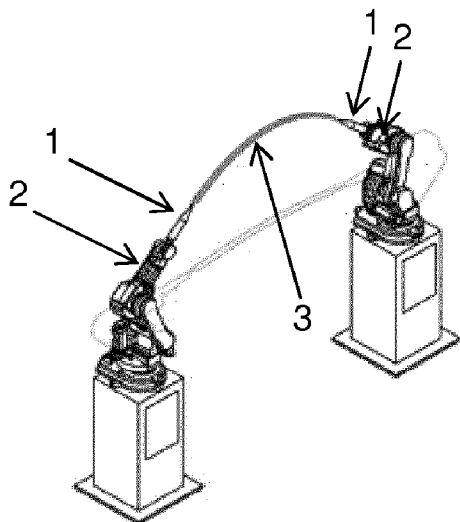


FIG. 1c

(57) Abstract: The present disclosure relates to a method and a system for manufacturing a mould (17) for creation of complex objects, such as concrete objects, by controlling and moving two end effectors (1) of a robotic system, the two end effectors (1) having a flexible cutting element (3) attached to and extending between the two end effectors (1), the method comprising the steps of: defining at least one surface (8) representing the inner surface of the mould (17); dividing the surface (8) into a number of segments represented by planar curves (9, 11, 12) on the surface (8); for each planar curve, calculating at least one elastic curve representing the planar curve; for each calculated elastic curve, calculating a set of data corresponding to placement and direction of the two end effectors (1) for configuring the flexible cutting element to a shape corresponding to the calculated elastic curve; sequentially positioning the end effectors (1) according to each set of data,



GM, KE, LR, LS, MW, MZ, NA, RW, SD, SL, ST, SZ, TZ, UG, ZM, ZW), Eurasian (AM, AZ, BY, KG, KZ, RU, TJ, TM), European (AL, AT, BE, BG, CH, CY, CZ, DE, DK, EE, ES, FI, FR, GB, GR, HR, HU, IE, IS, IT, LT, LU, LV, MC, MK, MT, NL, NO, PL, PT, RO, RS, SE, SI, SK, SM, TR), OAPI (BF, BJ, CF, CG, CI, CM, GA, GN, GQ, GW, KM, ML, MR, NE, SN, TD, TG).

Declarations under Rule 4.17:

— *of inventorship (Rule 4.17(iv))*

Published:

— *with international search report (Art. 21(3))*

Robotic system and method for manufacturing of objects

The present disclosure relates to a robotic system and method for manufacturing of objects, in particular objects having complex shapes, by controlling a robot having two end effectors and a cutting element attached to and extending between the two end effectors.

5

Background of invention

The vast majority of contemporary building designs are restrained to a formal language of planar surfaces and derivative geometric constructs; a constraint that stems from the practicalities of construction, which favors the use of mass-produced semi-manufactures and – for concrete in particular – modular, reusable formwork systems. An increasing number of high-profile project designs challenge the dominant paradigm. The challenge is posed by advanced building design projects, which utilize manual production of formwork to achieve complex curvatures; and building projects which employ large scale computer numerical control (CNC) milling to realize advanced structures. However, neither manual formwork production, nor large scale CNC milling provides a cost-effective option for general construction, and projects of this type therefore require extraordinary budget frameworks for realization. Contemporary construction currently employs either manually produced formwork or automated CNC milling of foam moulds for the realization of complex concrete structures.

10

15

20

DE 10 2008 051861 A1 discloses a device for cutting of plastic foams. The device has a conveyor belt for feeding plastic foam. Two holders are arranged stationary, one on each side, to the conveyor belt, and hold a cutting means between the holders and over the conveyor such that the plastic foam is continuously cut when the conveyor moves in relation to the two holders. The holders and conveyor belt are configurable in two cutting dimension such that a cutting angle along the feed direction of the conveyor belt and an angle perpendicular to the feed direction of the conveyor belt can be controlled. One drawback of such a device is that it is only capable of cutting relatively simple shapes limited by the tensioned cutting wire.

25

30

Summary of invention

The present disclosure relates to a method for manufacturing a mould for creation of complex objects, such as concrete objects, by controlling and moving two end effectors of a robotic system, the two end effectors having a flexible cutting element attached to and extending between the two end effectors. In a first embodiment the method
5 comprises the steps of:

- defining at least one surface representing the inner surface of the mould;
- dividing the surface into a number of segments represented by planar curves on the surface;
- 10 - for each planar curve, calculating at least one elastic curve representing the planar curve;
- for each calculated elastic curve, calculating a set of data corresponding to placement and direction of the two end effectors for configuring the flexible cutting element to a shape corresponding to the calculated elastic curve;
- 15 - sequentially positioning the end effectors according to each set of data, the flexible cutting element thereby cutting the mould from a block.

The method allows for more efficient manufacturing of moulds having complex shapes, and thereby also more efficient manufacturing of objects having complex shapes. The
20 disclosed technique for controlling two end effectors and a flexible cutting element is significantly faster and more efficient than manual formwork production and automated CNC milling.

A conventional hotwire foam cutter is a tool used to cut foam materials, typically
25 polystyrene and similar materials. The device consists of a metal wire, often made of stainless steel, which is heated. As the wire is passed through the material to be cut, the heat from the wire vaporises the material just in advance of contact. In the previously known devices, the hotwire extends between two arms of a rigid frame and corresponds to a substantially straight line. A robot could be programmed to move the
30 frame to cut shapes in the foam. However, the frame with hotwire could only cut straight lines, or simple single-ruled surfaces if the frame with hotwire would be moved in a ruled movement.

In the presently disclosed method and system, the inventors have realized that by
35 using a flexible cutting element, more complex surfaces can be cut by means of a

robotic system. The two end effectors of the robotic system can be positioned by controlling the distance between the end effectors and the direction of the end effectors (corresponding to the orientation of the sections of the cutting element next to the attachment points) such that the flexible cutting element is shaped of a known curve.

5

Surfaces that bend in two directions at the same time and cannot be made out of a flat material are called 'double curved'. In the presently disclosed method, in order to cut an entire complex surface, such as a double curved surface, the surface may be divided into a number of segments that are represented by planar curves. A collection of planar curve may hence represent the entire surface to cut. The planar curve may be cross-sections of the contour of the mould to cut. The surface may be provided to the method and system by means of e.g. three-dimensional drawing software using any kind of numerical representation.

10

15

For each planar curve, at least one elastic curve that represents the planar curve is calculated. An Euler elastica or elastic curve is the solution to the variational problem of minimizing the bending energy among curves of a given length with fixed endpoints and with the tangents prescribed at the endpoints. For the presently disclosed method, this means that the flexible cutting element is fixed between the two end effectors. The shape of the cutting element is the curve that, subject to the endpoint constraints, minimizes the elastic energy. Preferably, the calculated elastic curve should represent a shape as close as possible to the corresponding planar curve of the surface segment. Different approaches may be used to minimize the difference or distance between the elastic curve and the planar curve.

20

25

For each elastic curve, a set of data corresponding to placement and direction of the two end effectors for configuring the flexible cutting element to a shape corresponding to the calculated elastic curve may then be calculated. Preferably, the sets of data also take into account the placement of the planar curves in relation to each other. The sets of data may take into account the placement of the planar curves in relation to each other such that the speed of different parts of the cutting element only vary within some given limits. One reason for controlling the placement of the planar curves in relation to each other in this way is to ensure that the cutting is substantially uniform over the whole cutting element. If e.g. a foam block is cut by means of a hotwire, the cutting process is performed by melting the material of the block. The slower the cutting

30

35

element moves, the more the block around it melts. Preferably, the different parts of the cutting element move in approximately the same speed.

5 By calculating the distance between the end effectors and orientation of the end effectors, which create a specific elastic curve of the cutting element, more complex shapes can be cut than a fixed frame with a straight cutting element.

10 As stated, a collection of planar curve may represent the entire surface to cut. With a set of data corresponding to placement and direction of the two end effectors for each planar curve, the collection of data sets may be used to sequentially position the end effectors according to each subsequent set of data. The cutting element thereby cuts the surface defining the inner surface of the mould from a block.

15 The present disclosure further relates to a robotic system for manufacturing a mould for creation of complex objects, or more generally, for creation of complex surfaces from a block, the system comprising:

- at least two robotic arms, each robotic arm having an end effector;
- a flexible cutting element attached to and extending between the two end effectors; and
- 20 - computing means configured to control the end effectors and execute the calculations according to the presently disclosed method.

Description of drawings

Figs. 1a-c shows an embodiment of the system having two robots with end effectors holding a cutting wire in different positions.

25 **Fig. 2** shows a further embodiment of the presently disclosed system for manufacturing a mould for creation of complex objects, wherein the block from which the mould is cut is held by a third robot.

Figs. 3a-b show examples of elastic-swept surfaces comprising planar curves.

Fig. 4a shows an original surface of an object.

30 **Fig. 4b** shows an original surface of an object with elastic curves representing segments of the surface.

Fig. 4c shows a rationalized surface recreated by sweeping of elastic curves.

Fig. 5a shows an original input surface.

35 **Fig. 5b** shows a representation of planar curves with different number of inflection points.

Fig. 5c shows one planar curve being divided into sub-sections to reduce the number of inflection points for a sub-section.

Figs. 6a-d show how the surface may change when the surface is optimized with regard to inflection points.

5 **Figs. 7a-d** show examples of segmenting a surface into a grid of sub-surfaces.

Fig. 8 shows an original representation of a planar curve, an initial elastic curve, and a further optimized elastic curve.

Fig. 9a shows a representation of a surface in a block, the surface divided into sub-surfaces.

10 **Fig. 9b** shows the sub-surfaces cut into sub-blocks of a mould.

Fig. 9c shows the sub-blocks put together to form a complete mould.

Fig. 10 shows an example of an object created by the presently disclosed method and system.

Detailed description of the invention

15 The present disclosure relates to a method for representing a surface by dividing it into segmented curves of the surface, express the curves in terms of elastic-swept surfaces, applying an approximation algorithm by extracting a number of parameters and optimizing the parameters to get a close fit to the original curves. By interpolating the control parameters a rationalized design is obtained - a new surface, which is
20 swept out by elastic curves moving through space.

In a first embodiment, a method for manufacturing a mould for creation of complex objects, such as concrete objects, by controlling and moving two end effectors of a robotic system, the two end effectors having a flexible cutting element attached to and
25 extending between the two end effectors, comprises the steps of:

- defining at least one surface representing the inner surface of the mould;
- dividing the surface into a number of segments represented by planar curves on the surface;
- for each planar curve, calculating at least one elastic curve representing the
30 planar curve;
- for each calculated elastic curve, calculating a set of data corresponding to placement and direction of the two end effectors for configuring the flexible cutting element to a shape corresponding to the calculated elastic curve;
- sequentially positioning the end effectors according to each set of data, the
35 flexible cutting element thereby cutting the mould from a block.

One advantage of this method is that it is an efficient and fast way of creating complex surfaces. The method may be used for example for robotic formwork of parts of large buildings or other building projects such as bridges having complex shapes. The
5 presently disclosed method may be used for industrial production on an architectural scale.

Surfaces that bend in two directions at the same time and cannot be made out of a flat material are called 'double curved'. The presently disclosed method is capable of
10 realization of general double curved structures, whereas a conventional hotwire foam cutter is only capable of cutting straight lines, or simple single-ruled surfaces if the frame with hotwire would be moved in a ruled movement. A conventional hotwire cutter cannot cut negatively-curved surfaces. In the presently disclosed method, the surface representing the inner surface of the mould may be a positively-curved surface, a
15 negatively-curved surface or a double-curved surface.

The fact that not only the distance between the two end effectors may be regulated, but also the orientation of the end effectors, enables possibilities to create elastic curves having relatively complex shapes. The elastic curves may have two inflection points. As
20 an example, if one of the end effectors is directed slightly upwards and the other end effector is directed slightly downwards, the elastic curve represented by a cutting blade may be S-shaped, as shown in fig. 8. The orientation of the end effectors may correspond to the tangents of the elastic curves at the endpoints.

25 The endpoints of the elastic curves, i.e. the point of attachments to the end effectors, may be chosen such that only a part of the cutting element cuts in the block. This means that in one embodiment only a part of the elastic curve actively represents the planar curve inside the block.

30 In one embodiment of the method, a change in distance between the two end effectors is calculated, the change in distance representing a difference between two sequential data sets of placement. When controlling the end effectors, the robotic system calculate a set of data for each calculated elastic curve. The set of data comprises information about the relative distance between the end effectors. Preferably the data
35 sets also take into account how the elastic curves are organized in relation to each other, including for example the order of the elastic curves of a collection and their

positions in relation to each other. Similarly, information of the rotation of the elastic curves in relation to each other may be included in the data sets. In one embodiment, a rotational change of at least one of the end effectors is calculated, the rotational change representing a difference between two sequential data sets of direction. A rotational change of each of the two end effectors may furthermore be calculated for configuring the flexible cutting element to a shape corresponding to the calculated elastic curve.

Segmentation of surface into planar curves

10

As stated, the original surface, which may represent a mould, is divided into a number of segments represented by planar curves on the surface. An illustrative simple example is shown in fig. 4a. In fig. 4a an original surface 7 is divided into a number of segments represented by a number of curves 9. The collection of curves 9 can be considered to represent the surface.

15

Each planar curve on the surface may represent at least a part of a contour of a cross-section of the surface. The step of dividing the surface into a number of segments may comprise the step of sweeping the surface and collecting the planar curves corresponding to the contours of cross-sections of the surface. The cross-sections of such sweeping are not necessarily oriented in the same direction – the sweeping may change direction according to the shape of the object or surface. In one embodiment, if the surface to be swept has an elongated shape, the surface is swept in a substantially longitudinal direction of the elongated shape.

25

Elastic curves and approximation

Preferably, for each planar curve, at least one elastic curve representing the planar curve is calculated. An Euler elastica or elastic curve is the solution to the variational problem of minimizing the bending energy among curves of a given length with fixed endpoints and with the tangents prescribed at the endpoints.

30

In one embodiment an initial approximation or an initial guess of an elastic curve corresponding is made. In the choice of an initial elastic curve the method may be based on the fact that the curvature function for an arc-length parameterized elastica is affine in a certain direction. The geometry of the curve is analyzed in order to find control parameters for an elastic curve. The initial approximation can then be taken

35

as input for optimization to compute a good approximating elastic curve for a given curve. The step of calculating at least one elastic curve representing the planar curve may therefore be seen as comprising the step of minimizing the distance between the elastic curve and the planar curve of the original surface. The optimization may be
5 done with or without fixed endpoints of the elastic curve.

The planar curve may be parametrized into a number of parameters describing the elastic curve based on characteristics of the planar curve, and, in a second step, the parameters are iteratively optimized to minimize the distance between the elastic curve
10 and the planar curve. For example, a number of control parameters, such as four parameters, may determine the length and shape of the curve. A number of additional parameters, such as three parameters, may determine the position and rotation of the curve in the plane. The set of data corresponding to data corresponding to placement and direction of the two end effectors may be derived from the parameters.

15 For particularly complex shapes of a planar curve, a planar curve may be segmented into a plurality of planar curve segments, wherein one elastic curve is calculated for each planar curve segment. A following cutting according to the presently disclosed method may then be performed in several steps, wherein each step corresponds to a
20 curve segment. When segmenting the curve, the segments may be chosen such that a plurality of planar curve segments are parametrized such that the shape of the boundary between the curve segments are substantially smooth.

The sequential positioning of the end effectors may be performed for one of the planar
25 curve segments in a first round, and for another of the plurality of planar curve segments in a second round. This process can be repeated for more than two curve segments if necessary. In one embodiment of the presently disclosed method, sequential positioning is therefore iteratively repeated until all planar curve segments have been cut.

30 The present disclosure further relates to a method for geometrically translating an arbitrary surface, which may be described in a digital format, into a corresponding geometry described by a number of elastic curves. The input surface is segmented into pieces that are chosen to be used for a work object. The segmentation is chosen such
35 that the pieces approximate the input surface as close as possible or approximate the input surface loosely while optimizing for surface curvature continuity between the

segment by using a sweeping of continuously elastic curves. For each segment a collection of plane curves is created. Preferably, each curve in the family must be feasible to approximate by an elastic curve. The number of elastic curves may be finite, but sufficient to determine the shape of the surface within predefined tolerances if interpolated. For each curve approximation of the elastic curve is performed within the predefined tolerance. Preferably, the endpoints and end tangents of neighboring each curved should be such that the surface segment is tangent continuous within specified tolerances with the next surface segment.

10 Inflection points

In the presently disclosed methods there are several options for reducing the number of inflection points on the surface in order to make the surface more manageable. The planar curves into sub-sections of planar curves, thereby reducing the number of inflection points. The division may be optimized such that a minimum of planar curves are obtained, wherein each planar curve has a maximum of two inflection points.

Alternatively, the original surface may be split into a grid of sub-surfaces, thereby in principle also dividing planar curves of the original surface into sub-sections of planar curves. If the surface is split into a grid of sub-surfaces, this step may be repeated in various ways until the number of inflection points for each surface is two or less. The sizes of the sub-surfaces may also be changed to move the boundaries between the sub-surfaces. Furthermore, if there are inflection points that are located close to each other the curve may be smoothed to ignore the inflection points.

25 If two given neighboring sub-surfaces have more than two inflection point in at least one of them, one approach is to define two new sub-surfaces and place them so that they overlap each other and the two neighboring blocks.

Cutting element, block element

30 The cutting element of the presently disclosed method and system may be a wire, a rod, a blade or a strip.

The flexible cutting element may be heatable and configured for cutting the mould from the block thermally by melting the shape corresponding to the calculated elastic curve. This is referred to as hotwire cutting. 'Flexible' refers to the cutting element being able to represent at least planar elastic curves controlled by end effectors. The cutting

element may also be any kind of sawing element for other types of cutting than thermal cutting of e.g. foam blocks.

5 Elastic is generally referred to as the ability of a body to resist a distorting influence or stress and to return to its original shape when the stress is removed. Solid objects deform when forces are applied on them. If the material is elastic, the object will return to its initial shape and size when these forces are removed. The cutting element of the presently disclosed method and system may be an elastic cutting element in the sense that it may behave like an elastic curve and it has an inherent energy to return to its
10 original shape

The cutting element of the presently disclosed method and system may also be a blade, such as a rectangular flat blade. The blade could be flexible both in the longitudinal direction of the blade and in the cutting direction of the blade. The blade
15 may also be shaped to have a rounded shape in the cutting direction.

In one example, the cutting element used in the process is a thin metal strip made of a nickel-chromium super alloy. The strip is preheated to a temperature of 300-400 °C by means of Joule heating and then it is slowly brought into contact with a block of e.g.
20 expanded polystyrene to produce melting, and subsequently to form or cut the block into a desired shape. At such high operating temperatures, the blade may be bent into a shape having a predefined curvature and at the same time maintain its elastic and flexibility properties. The temperature dependent variations of the blade shape are may be incorporated in the computational algorithm to secure proper shape representation.

25 Depending mainly on the cutting element, the block from which the surface is cut may be made of different materials. For thermal cutting with a hotwire or hotblade, the block may be made of foam. The foam may be selected from the group of expanded polystyrene, extruded polystyrene, polymethacrylimide low density rigid foam,
30 expanded polypropylene foam, or polyethylene foam.

System

35 The present disclosure further relates to a robotic system for manufacturing a mould for creation of complex objects, or, more generally, for creation of complex surfaces from a block, the system comprising:

- at least two robotic arms, each robotic arm having an end effector;
- a flexible cutting element attached to and extending between the two end effectors; and
- computing means configured to control the end effectors and execute the calculations according to the presently disclosed method.

The system may be configured to perform any of the steps of the presently disclosed method for manufacturing a mould for creation of complex objects.

10 The system comprises at least two robotic arms, each robotic arm having an end effector. It is also possible that the two end effectors are not moved but only rotated and that a third arm instead moves the block to be cut. The general calculations are not different but the datasets have to take into account that a third arm moves the block. This may be seen as a special type of conveyor belt.

15 In a specific application of the presently closed method and system, the method is used for manufacturing of three-dimensional concrete objects, in particular large objects for elements of buildings, such as curved walls of building.

20 The present disclosure further relates to a non-transitive, computer-readable storage device for storing instructions that, when executed by a processor:

- divides a representation of a surface into a number of segments represented by planar curves on the surface;
- for each planar curve, calculates at least one elastic curve representing the planar curve;
- for each calculated elastic curve, calculates a set of data corresponding to placement and direction of two end effectors of a robotic system for configuring a flexible cutting element extending between the end effectors to a shape corresponding to the calculated elastic curve;
- calculates sequential positions of the end effectors according to each set of data representing a movement of the flexible cutting element corresponding to the surface.

35 This method may also be carried out by presently disclosed robotic system. The calculations of the presently disclosed method may be performed by any processing means using. The computer program instructions may be stored on any media.

Detailed description of the drawings

The invention will in the following be described in greater detail with reference to the accompanying drawings. The drawings are exemplary and are intended to illustrate some of the features of the presently disclosed method and system for manufacturing a
5 mould for creation of complex objects, and are not to be construed as limiting to the presently disclosed invention.

Figs. 1a-c show an embodiment of the system having two robots with arms (2) and end effectors (1) holding a cutting wire (3) in different positions. In fig. 1a the wire (3) is
10 substantially straight. In figs. 1b and 1c the end effectors (1) are configured such that the wire (3) represents an elastic curve.

Fig. 2 shows a further embodiment of the presently disclosed system for manufacturing a mould for creation of complex objects. In this system the block (4) from which the
15 mould is to be cut is held by a third robot (5).

Figs. 3a-b show examples of elastic-swept surfaces (7) comprising planar curves (9).

Figs. 4a-c show the process of creating a surface from a representation of an original
20 surface (7), which may have a digital representation. Fig. 4a shows an original input surface (7), which is divided into a number of segments represented by planar curves (9) on the surface. In fig. 4b the elastic curves (10) (divided into curve segments). The elastic curves (10) are typically not exactly on the original surface (7) but optimized to be as close as possible. The surface (8) of fig. 4c represents a rationalised surface
25 swept by the calculated elastic curves.

Figs. 4a-c show a method for handling the number of inflection points. Fig. 5a shows an original input surface (7). In fig. 5b there are a number of planar curves, which are divided into planar curves (12) having six or more inflection points (13) and planar
30 curves (11) having less than six inflection points (13). Fig. 5c shows a specific planar curve being divided into sub-sections to reduce the number of inflection points (13) for a sub-section.

Figs. 6a-d show how the surface may change when the surface is optimized with
35 regard to inflection points. In this specific case some of the curves intersect each other,

which means that the surface will be cut multiple times. This situation may be changed by surface segmentation (sub-surfaces).

5 Figs. 7a-d show examples of segmenting a surface into a grid of sub-surfaces (14, 15). In fig. 7d the sub-surfaces (15) are the surfaces of parts of a mould. The parts may be put together to form a complete mould.

10 Fig. 8 shows an example original representation of an S-shaped planar curve (9). An initial approximation (16) of an elastic curve is numerically optimized to the elastic curve (17).

15 Figs. 9a-d show how a surface being cut from a block (4) can be used as a mould (17). Fig. 9a shows a representation of a surface in a block (4), the surface divided into sub-surfaces (14). Fig. 9b shows the sub-surfaces (14) cut into sub-blocks (16). Fig. 9c shows the sub-blocks (16) put together to form a complete mould (17).

Fig. 10 shows an example of an object created by the presently disclosed method and system.

20 Further details of the invention

1. A method for manufacturing a mould for creation of complex objects, such as concrete objects, by controlling and moving two end effectors of a robotic system, the two end effectors having a flexible cutting element attached to and extending between the two end effectors, the method comprising the steps of:
 - 25 - defining at least one surface representing the inner surface of the mould;
 - dividing the surface into a number of segments represented by planar curves on the surface;
 - for each planar curve, calculating at least one elastic curve representing the planar curve;
 - 30 - for each calculated elastic curve, calculating a set of data corresponding to placement and direction of the two end effectors for configuring the flexible cutting element to a shape corresponding to the calculated elastic curve;
 - sequentially positioning the end effectors according to each set of data, the flexible cutting element thereby cutting the mould from a block.

35

2. The method according to any of the preceding items, wherein a change in distance between the two end effectors is calculated, the change in distance representing a difference between two sequential data sets of placement.
- 5 3. The method according to any of the preceding items, wherein a rotational change of at least one of the end effectors is calculated, the rotational change representing a difference between two sequential data sets of direction.
- 10 4. The method according to any of the preceding items, wherein a rotational change of each of the two end effectors is calculated for configuring the flexible cutting element to a shape corresponding to the calculated elastic curve.
- 15 5. The method according to any of the preceding items, wherein the surface representing the inner surface of the mould is a double-curved surface.
- 20 6. The method according to any of the preceding items, wherein flexible cutting element is heatable and configured for cutting the mould from the block thermally by melting the shape corresponding to the calculated elastic curve.
- 25 7. The method according to any of the preceding items, wherein each planar curve on the surface represents at least a part of a contour of a cross-section of the surface.
- 30 8. The method according to item 7, wherein the step of dividing the surface into a number of segments comprises the step of sweeping the surface and collecting the planar curves corresponding to the contours of cross-sections of the surface.
- 35 9. The method according to item 8, wherein the surface has an elongated shape and the surface is swept in a substantially longitudinal direction of the elongated shape.
10. The method according to any of the preceding items, wherein the step of calculating at least one elastic curve representing the planar curve comprises the step of minimizing the distance between the elastic curve and the planar curve.

- 5 11. The method according to any of the preceding items, wherein the planar curve is segmented into a plurality of planar curve segments, and wherein one elastic curve is calculated for each planar curve segment.
- 10 12. The method according to items 10-11, wherein, in a first step of the minimizing the distance between the elastic curve and the planar curve, the planar curve is parametrized into a number of parameters describing the elastic curve based on characteristics of the planar curve, and, in a second step, the parameters are iteratively optimized to minimize the distance between the elastic curve and the planar curve.
- 15 13. The method according to any of items 11-12, wherein plurality of planar curve segments are parametrized such that the shape of the boundary between the curve segments are substantially smooth.
- 20 14. The method according to any of items 12-13, wherein the set of data corresponding to positioning are derived from the parameters.
- 25 15. The method according to any of items 11-14, wherein the sequential positioning the end effectors are performed for one of the plurality of planar curve segments in a first round, and for another of the plurality of planar curve segments in a second round.
- 30 16. The method according to item 15, further comprising the step of iteratively repeating the sequential positioning of the end effectors until all planar curve segments have been cut.
- 35 17. The method according to any of the preceding items, further comprising the step of dividing the planar curves into sub-sections of planar curves, thereby reducing the number of inflection points.
18. The method according to any of the preceding items, further comprising the step of segmenting the surface into a grid of sub-surfaces, thereby dividing the planar curves into sub-sections of planar curves.

19. The method according to item 18, further comprising the step of repeating the segmentation of the surfaces until the number of inflection points for each surface is two or less.
- 5 20. The method according to any of items 18-19, further comprising the step of reorganizing the sub-surfaces to reduce the number of inflection points for each surface.
- 10 21. The method according to any of the preceding items, using a wire, a rod, a blade or a strip as cutting element.
22. The method according to any of the preceding items, using a mechanical cutting element.
- 15 23. The method according to any of the preceding items, using a sawing element as a cutting element.
24. The method according to any of the preceding items, using an elastic cutting element.
- 20 25. The method according to any of the preceding items, further comprising the step of forming the blade into a defined shape, such as a rounded shape.
- 25 26. The method according to any of the preceding items, further comprising the step of heating the cutting element before thermally cutting the mould.
27. The method according to any of the preceding items, wherein the block is made of foam.
- 30 28. The method according to item 27, wherein the foam is selected from the group of expanded polystyrene, extruded polystyrene, polymethacrylimide low density rigid foam, expanded polypropylene foam, or polyethylene foam.
- 35 29. The method according to any of the preceding items, wherein the complex objects are concrete objects.

30. The method according to any of the preceding items, wherein the complex objects are three-dimensional objects.
31. A robotic system for manufacturing a mould for creation of complex objects, the system comprising:
- at least two robotic arms, each robotic arm having an end effector;
 - a flexible cutting element attached to and extending between the two end effectors; and
 - computing means configured to control the end effectors and execute the calculations according to the method of any of items 1-30.
32. A mould for creation of a concrete object provided by means of the method of any of items 1-30.
33. A non-transitive, computer-readable storage device for storing instructions that, when executed by a processor:
- divides a representation of a surface into a number of segments represented by planar curves on the surface;
 - for each planar curve, calculates at least one elastic curve representing the planar curve;
 - for each calculated elastic curve, calculates a set of data corresponding to placement and direction of two end effectors of a robotic system for configuring a flexible cutting element extending between the end effectors to a shape corresponding to the calculated elastic curve;
 - calculates sequential positions of the end effectors according to each set of data representing a movement of the flexible cutting element corresponding to the surface.

Claims

1. A method for manufacturing a mould for creation of complex objects, such as concrete objects, by controlling and moving two end effectors of a robotic system, the two end effectors having a flexible cutting element attached to and extending between the two end effectors, the method comprising the steps of:
- 5
- defining at least one surface representing the inner surface of the mould;
 - dividing the surface into a number of segments represented by planar curves on the surface;
 - for each planar curve, calculating at least one elastic curve representing the planar curve;
 - 10
 - for each calculated elastic curve, calculating a set of data corresponding to placement and direction of the two end effectors for configuring the flexible cutting element to a shape corresponding to the calculated elastic curve;
 - sequentially positioning the end effectors according to each set of data, the flexible cutting element thereby cutting the mould from a block.
 - 15
2. The method according to any of the preceding claims, wherein a change in distance between the two end effectors is calculated, the change in distance representing a difference between two sequential data sets of placement.
- 20
3. The method according to any of the preceding claims, wherein a rotational change of at least one of the end effectors is calculated, the rotational change representing a difference between two sequential data sets of direction.
- 25
4. The method according to any of the preceding claims, wherein a rotational change of each of the two end effectors is calculated for configuring the flexible cutting element to a shape corresponding to the calculated elastic curve.
- 30
5. The method according to any of the preceding claims, wherein the surface representing the inner surface of the mould is a double-curved surface.
- 35
6. The method according to any of the preceding claims, wherein the step of calculating at least one elastic curve representing the planar curve comprises the step of minimizing the distance between the elastic curve and the planar curve.

- 5
7. The method according to any of the preceding claims, wherein the planar curve is segmented into a plurality of planar curve segments, and wherein one elastic curve is calculated for each planar curve segment.
- 10
8. The method according to claims 6-7, wherein, in a first step of the minimizing the distance between the elastic curve and the planar curve, the planar curve is parametrized into a number of parameters describing the elastic curve based on characteristics of the planar curve, and, in a second step, the parameters are iteratively optimized to minimize the distance between the elastic curve and the planar curve.
- 15
9. The method according to any of the preceding claims, further comprising the step of segmenting the surface into a grid of sub-surfaces, thereby dividing the planar curves into sub-sections of planar curves.
- 20
10. The method according to claim 9, further comprising the step of repeating the segmentation of the surfaces until the number of inflection points for each surface is two or less, and reorganizing the sub-surfaces to reduce the number of inflection points for each surface.
- 25
11. The method according to any of the preceding claims, using a wire, a rod, a blade or a strip as cutting element.
- 30
12. The method according to any of the preceding claims, using an elastic cutting element.
- 35
13. A robotic system for manufacturing a mould for creation of complex objects, the system comprising:
- at least two robotic arms, each robotic arm having an end effector;
 - a flexible cutting element attached to and extending between the two end effectors; and
 - computing means configured to control the end effectors and execute the calculations according to the method of any of claims 1-12.

14. A mould for creation of a concrete object provided by means of the method of any of claims 1-12.

5 15. A non-transitive, computer-readable storage device for storing instructions that, when executed by a processor:

- divides a representation of a surface into a number of segments represented by planar curves on the surface;
- for each planar curve, calculates at least one elastic curve representing the planar curve;
- 10 - for each calculated elastic curve, calculates a set of data corresponding to placement and direction of two end effectors of a robotic system for configuring a flexible cutting element extending between the end effectors to a shape corresponding to the calculated elastic curve;
- calculates sequential positions of the end effectors according to each set of
15 data representing a movement of the flexible cutting element corresponding to the surface.

20

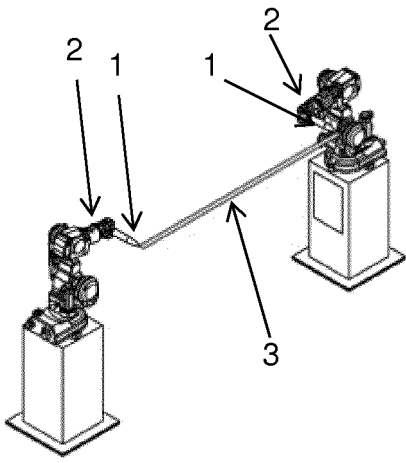


FIG. 1a

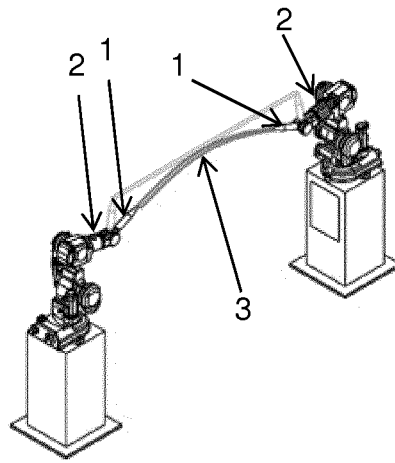


FIG. 1b

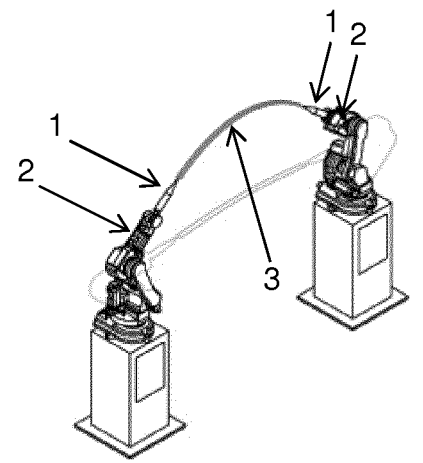


FIG. 1c

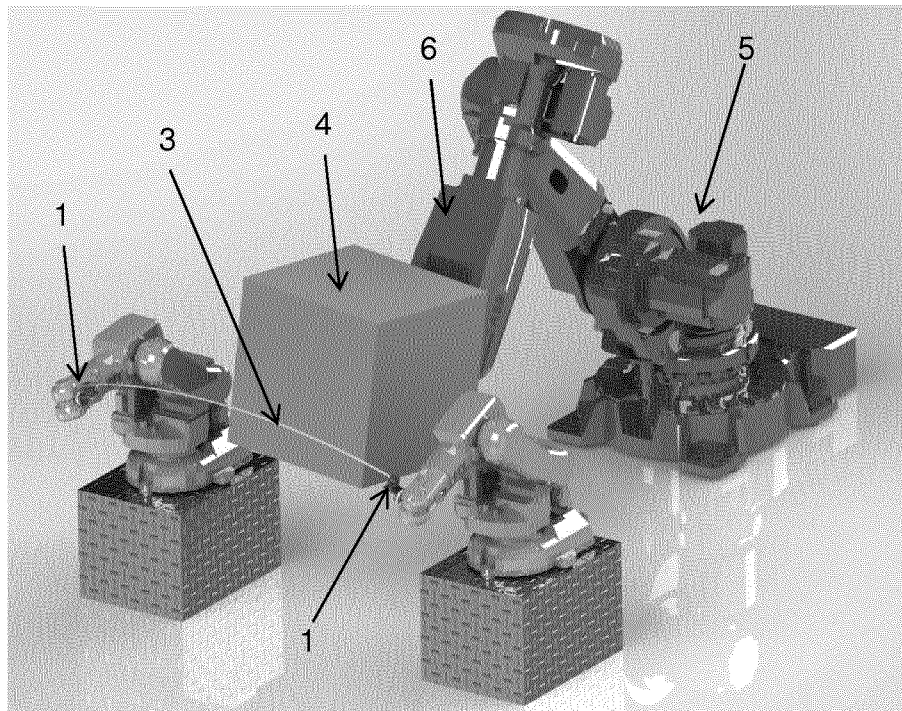


FIG. 2

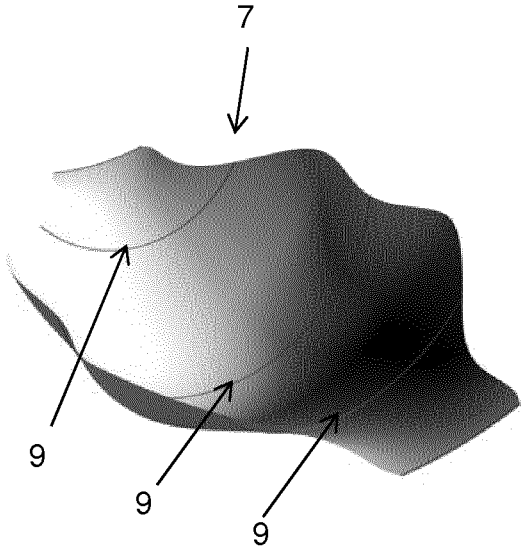


FIG. 3a

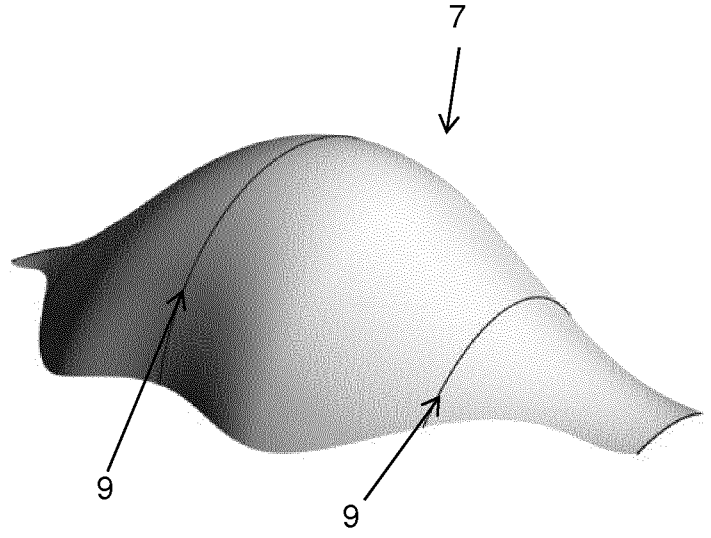


FIG. 3b

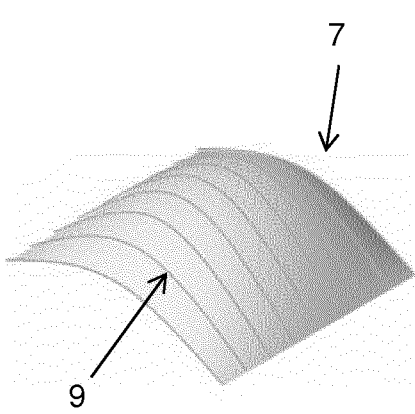


FIG. 4a

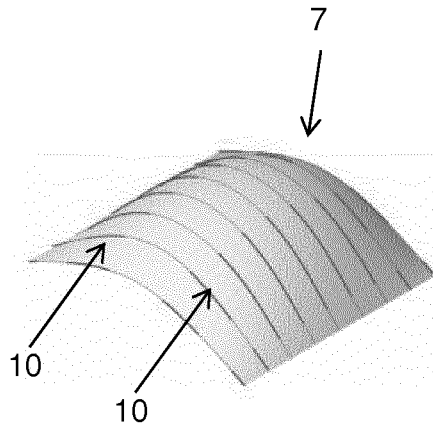


FIG. 4b

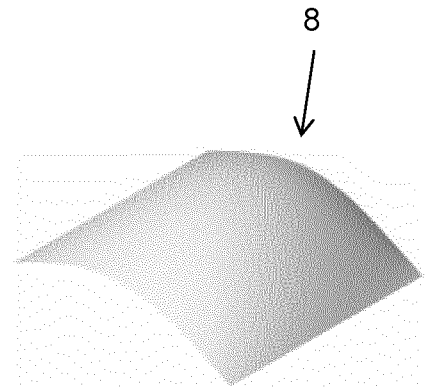


FIG. 4c

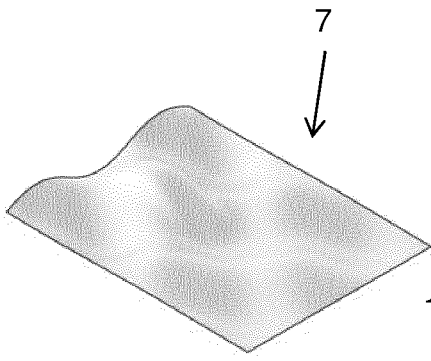


FIG. 5a

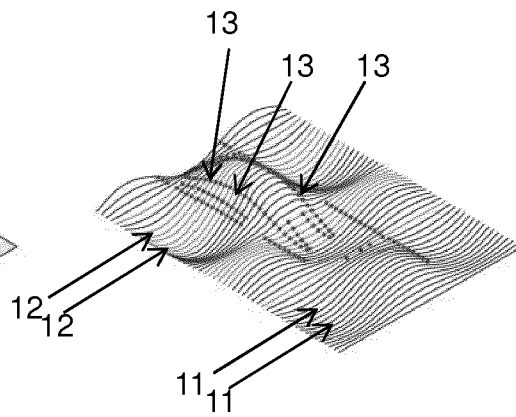


FIG. 5b

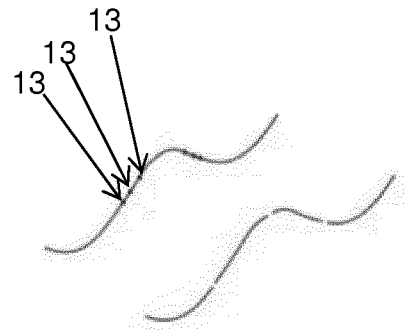


FIG. 5c

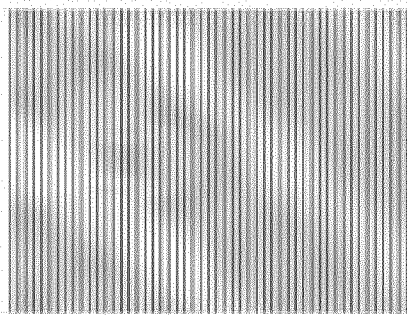


FIG. 6a

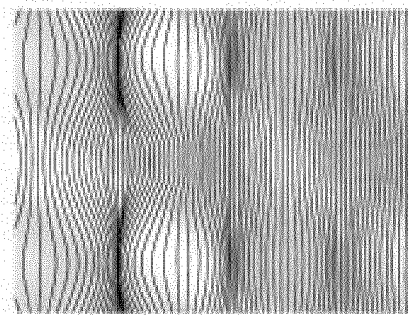


FIG. 6b

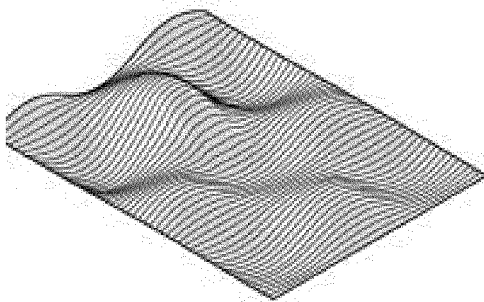


FIG. 6c

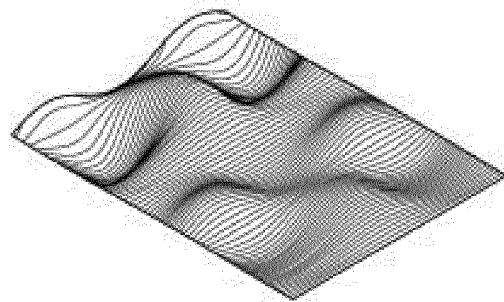


FIG. 6d

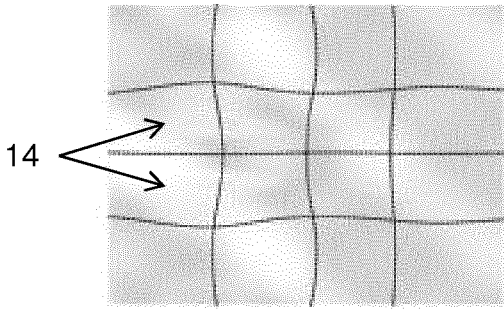


FIG. 7a

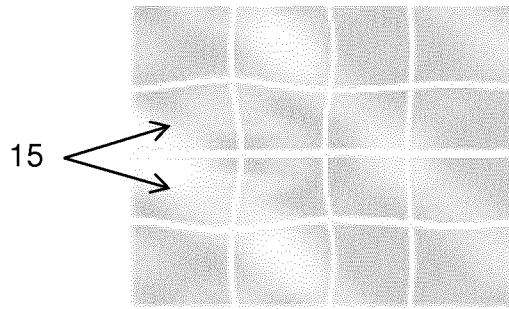


FIG. 7c

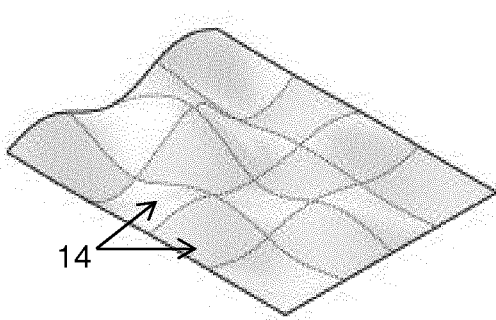


FIG. 7b

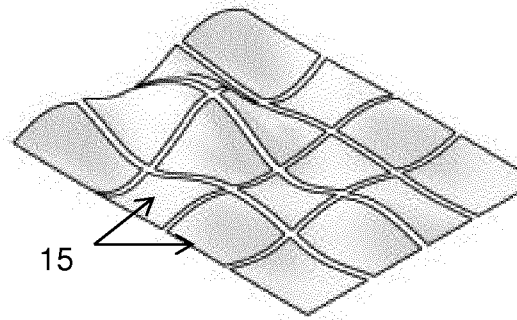


FIG. 7d

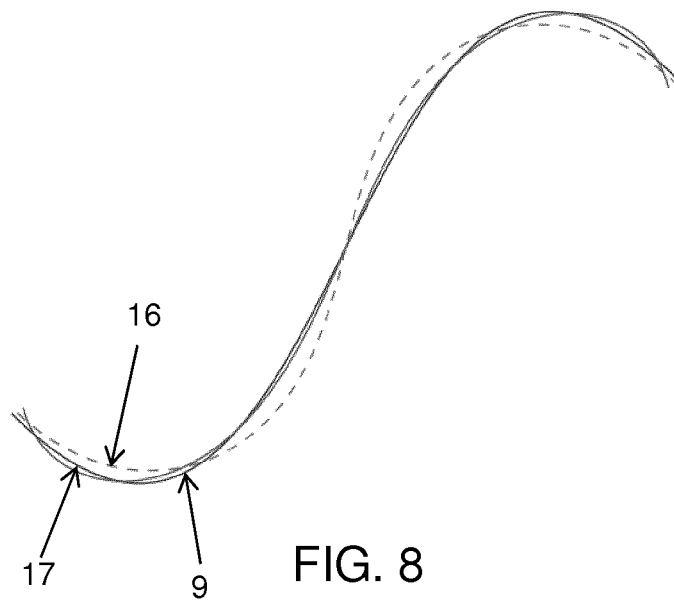


FIG. 8

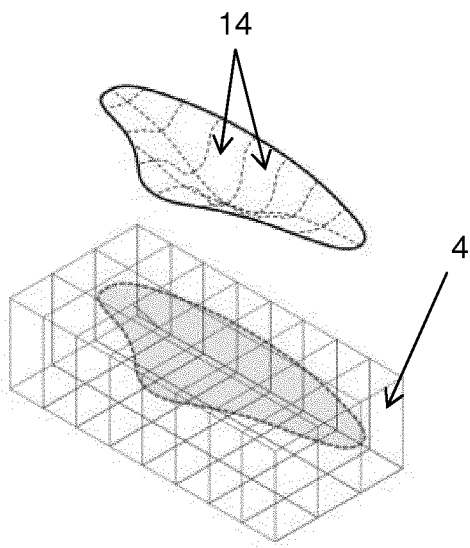


FIG. 9a

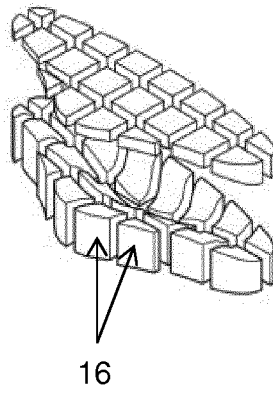


FIG. 9b

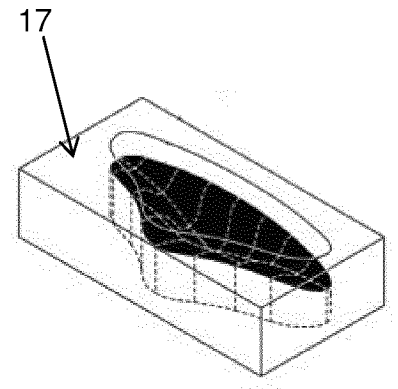


FIG. 9c

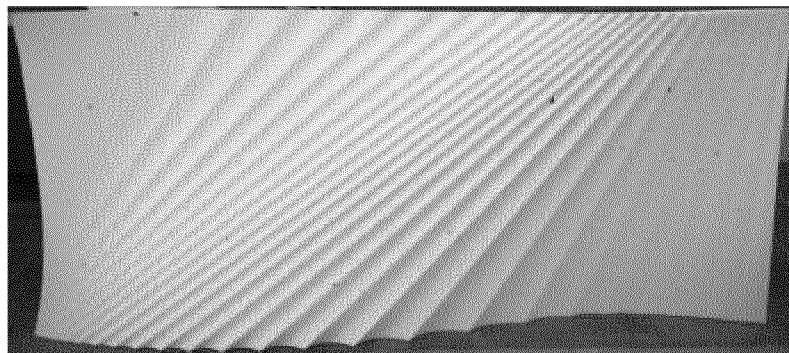


FIG. 10

INTERNATIONAL SEARCH REPORT

International application No
PCT/EP2017/055958

A. CLASSIFICATION OF SUBJECT MATTER					
INV.	B26D3/00	B26F3/08	B26D5/00	B26D5/06	B26D5/08
	B26D7/01	B25J9/00	B25J9/16	B25J11/00	B26D1/547
	G06T17/20	G06T17/30	G05B19/4099	B26D1/00	

According to International Patent Classification (IPC) or to both national classification and IPC

B. FIELDS SEARCHED
Minimum documentation searched (classification system followed by classification symbols)
B26D B26F B25J G06T G05B

Documentation searched other than minimum documentation to the extent that such documents are included in the fields searched

Electronic data base consulted during the international search (name of data base and, where practicable, search terms used)
EPO-Internal, WPI Data

C. DOCUMENTS CONSIDERED TO BE RELEVANT

Category*	Citation of document, with indication, where appropriate, of the relevant passages	Relevant to claim No.
A	DE 10 2008 051864 A1 (KLUTH VERTRIEBS GMBH [DE]) 22 April 2010 (2010-04-22) paragraph [0001] - paragraph [0036]; figures 1,2	1-15
A	----- "PROTOTYPEN-FERTIGUNG MIT INDUSTRIE-ROBOTERN", ZWF ZEITSCHRIFT FUR WIRTSCHAFTLICHE FERTIGUNG UNDAUTOMATISIERUNG, CARL HANSER VERLAG. MUNCHEN, DE, vol. 88, no. 11, 1 November 1993 (1993-11-01), pages 539-541, XP000413650, ISSN: 0947-0085 page 539 - page 541 ----- -/--	1

Further documents are listed in the continuation of Box C. See patent family annex.

* Special categories of cited documents :

"A" document defining the general state of the art which is not considered to be of particular relevance	"T" later document published after the international filing date or priority date and not in conflict with the application but cited to understand the principle or theory underlying the invention
"E" earlier application or patent but published on or after the international filing date	"X" document of particular relevance; the claimed invention cannot be considered novel or cannot be considered to involve an inventive step when the document is taken alone
"L" document which may throw doubts on priority claim(s) or which is cited to establish the publication date of another citation or other special reason (as specified)	"Y" document of particular relevance; the claimed invention cannot be considered to involve an inventive step when the document is combined with one or more other such documents, such combination being obvious to a person skilled in the art
"O" document referring to an oral disclosure, use, exhibition or other means	"&" document member of the same patent family
"P" document published prior to the international filing date but later than the priority date claimed	

Date of the actual completion of the international search 8 May 2017	Date of mailing of the international search report 17/05/2017
--	---

Name and mailing address of the ISA/ European Patent Office, P.B. 5818 Patentlaan 2 NL - 2280 HV Rijswijk Tel. (+31-70) 340-2040, Fax: (+31-70) 340-3016	Authorized officer Maier, Michael
--	---

INTERNATIONAL SEARCH REPORT

International application No
PCT/EP2017/055958

C(Continuation). DOCUMENTS CONSIDERED TO BE RELEVANT		
Category*	Citation of document, with indication, where appropriate, of the relevant passages	Relevant to claim No.
A	GB 2 248 571 A (STEEL CASTINGS RES [GB]) 15 April 1992 (1992-04-15) page 6 - page 12; figures 1-6 -----	1
A	WO 88/00367 A1 (FANUC LTD [JP]) 14 January 1988 (1988-01-14) page 2, line 59 - page 4, line 45; figures 1-6 -----	1

INTERNATIONAL SEARCH REPORT

Information on patent family members

International application No

PCT/EP2017/055958

Patent document cited in search report	Publication date	Patent family member(s)	Publication date
DE 102008051864 A1	22-04-2010	NONE	

GB 2248571 A	15-04-1992	NONE	

WO 8800367 A1	14-01-1988	EP 0276318 A1	03-08-1988
		JP S6318405 A	26-01-1988
		US 4893251 A	09-01-1990
		WO 8800367 A1	14-01-1988
