

Rec'd 5,000-5-23-67

L-215

LET'S BUILD A

Picnic Table



— TEXAS A&M UNIVERSITY —
TEXAS AGRICULTURAL EXTENSION SERVICE
J. E. HUTCHISON, DIRECTOR, COLLEGE STATION, TEXAS

LET'S BUILD A PICNIC TABLE

W. S. ALLEN

*Extension Agricultural Engineer
Texas A&M University*

This table is designed for outdoor picnic and inside work table use. It can be an addition to your outdoor living room near the barbecue pit and will be handy for summer meals or entertaining. It also is suitable for camps and picnic grounds.

The seats can be removed so the table can be carried inside for a work table or they can be left off to begin with, if not desired.

Materials Required

Table top and seats to be No. 1 grade S4S. Each board to have two 1/2" saw cuts on underside to prevent warping.

12 pc. 2" x 4" - 6' or 8'
2 pc. 1" x 4" - 10'

All legs, cross members and braces to be No. 2 grade, S4S material.

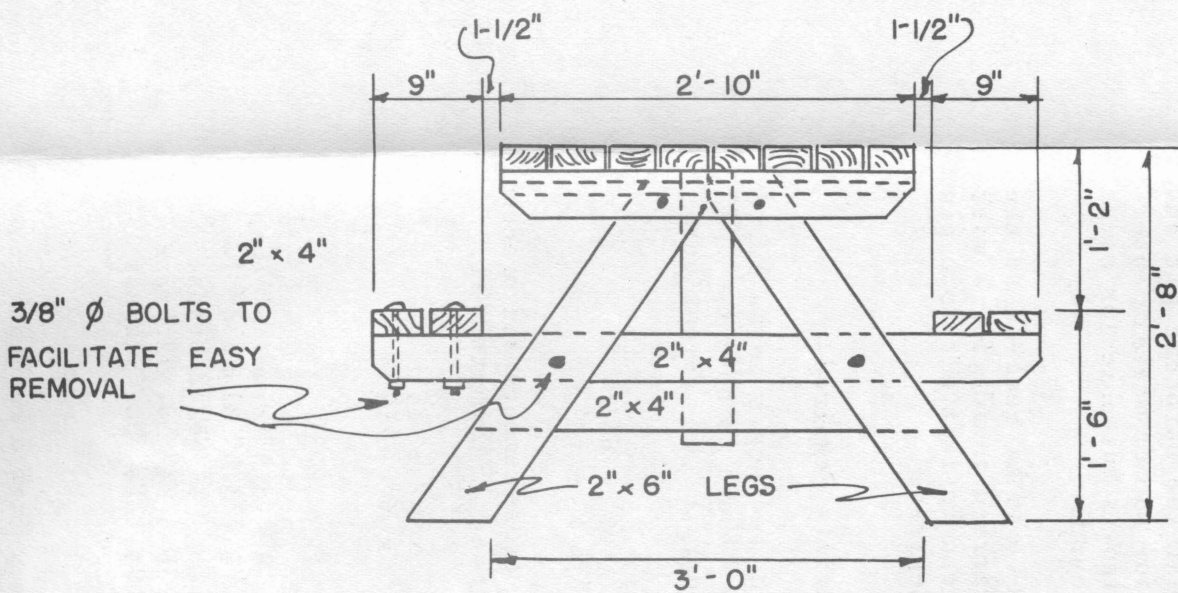
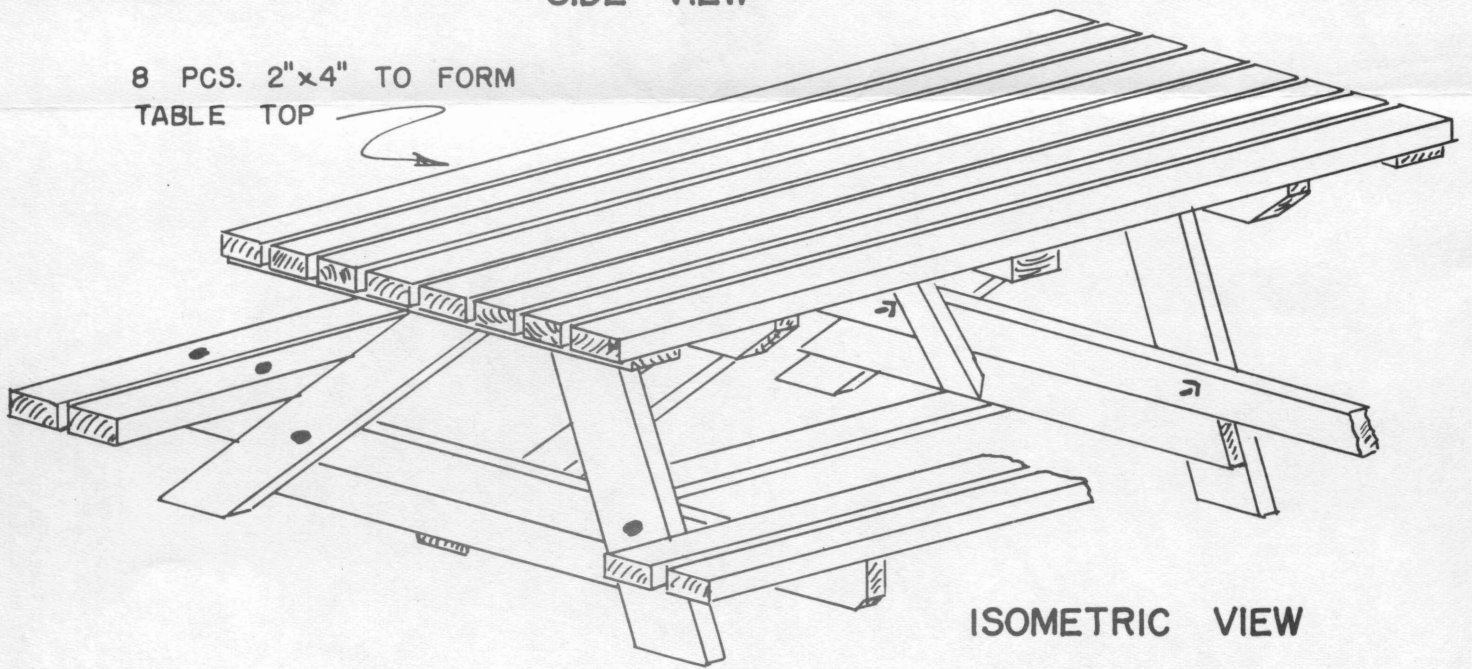
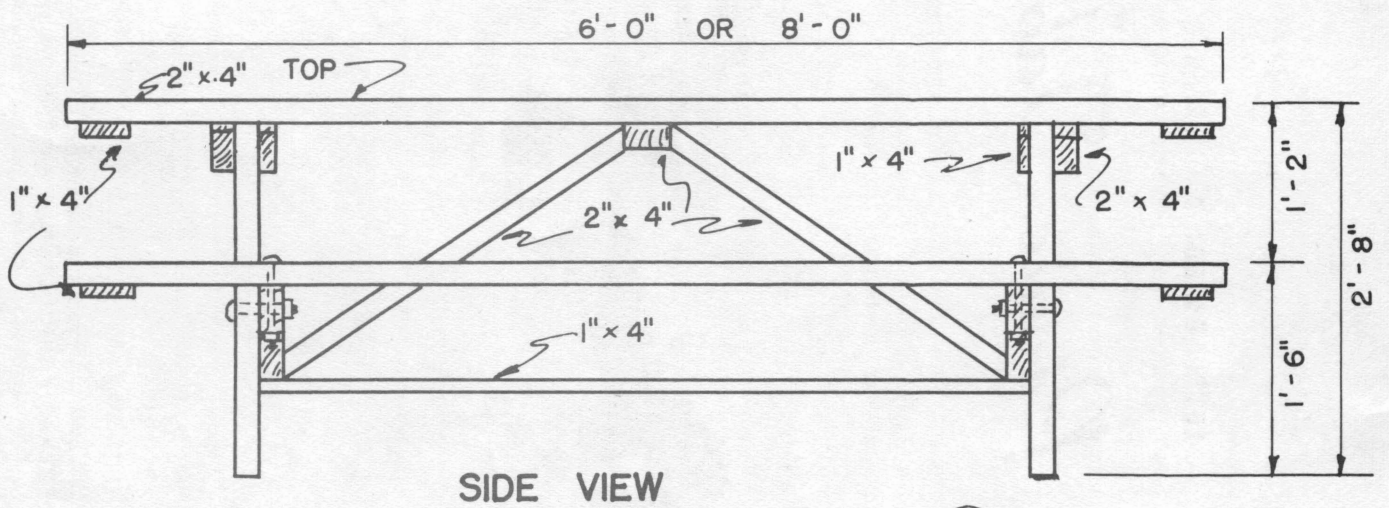
1 pc. 2" x 6" - 14'
3 pc. 2" x 4" - 12'

Hardware:

Machine bolts	8	-	3/8" diam. 6" long
Machine bolts	8	-	3/8" diam. 4" long
Wood screws	56		4" No 12 brass
Wood screws	36		2½" No. 12 brass
Wood screws	84		1½" No. 8 brass

Caution:

Do not vary from dimensions shown for legs.



END VIEW

PICNIC TABLE
SCALE: 3/4" = 1'-0"

Cooperative Extension Work in Agriculture and Home Economics, Texas A&M University and the United States Department of Agriculture cooperating. Distributed in furtherance of the Acts of Congress of May 8, 1914, as amended, and June 30, 1914.