

CONCEPT STUDY OF MICROGRID DISPATCH STRATEGY FOR SOLAR THERMAL POWER PLANT WITH THERMAL STORAGE

Noor Bazila Sharifmuddin^{a*}, Tohru Suwa^a, Sheikh Ahmad Zaki Shaikh Salim^b

^aTAKASAGO Thermal/Environmental Systems Laboratory, Malaysia-Japanese International Institute of Technology, Universiti Teknologi Malaysia, Kuala Lumpur, Malaysia

^bWind Engineering for (Urban, Artificial, Man-Made) Environment Laboratory, Malaysia-Japanese International Institute of Technology, Universiti Teknologi Malaysia, Kuala Lumpur, Malaysia

Article history

Received

15 September 2015

Received in revised form

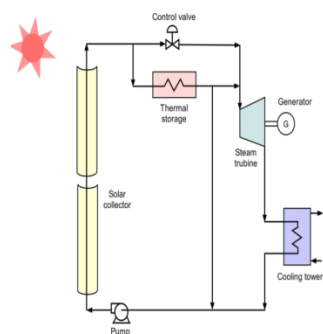
19 December 2015

Accepted

21 January 2016

*Corresponding author
noorbazila@utm.edu.my

Graphical abstract



Abstract

Complex grid systems have been gradually replaced by smaller and simpler grid systems called Microgrids. Integration of a solar thermal power generation systems into Microgrids open a new horizon of renewable energy power generation to achieve the supply and demand balance of electricity. Microgrid dispatch strategy is a control method of energy balance between power generation and electricity consumption. A thermal storage integrated into the system buffers the intermittency of solar radiation used as the heat source of the power generation system. The daily starting time for the power generation is determined by the dispatch strategy in search of minimum power from the conventional grid and maximum electricity generation from the solar thermal power generation system. In the simulation stage, the heat energy available for power generation and amount of thermal energy saved in the thermal storage is calculated at each time step using measured solar radiation data as the heat source and load profile data as the consumption required. Based on the simulation result, the power generation starting time for the next day is determined. The effectiveness of the proposed dispatch strategy is demonstrated by obtaining the best starting time and identifying minimum power required from the conventional grid. The power supply from the conventional grid is reduced by 10% by applying the proposed methodology.

Keywords: Solar radiation; solar thermal power plant; thermal energy storage; dispatch strategy; microgrid

© 2016 Penerbit UTM Press. All rights reserved

1.0 INTRODUCTION

Throughout these centuries, fossil fuels have been used for the electricity generation as the main source of energy. By burning the fossil fuels, the greenhouse gases which cause global warming are released. Thus penetration of renewable energy in electricity generation has gathered worldwide interest as an alternative for providing clean and environmentally friendly energy to the earth. On the contrary, the

intermittency of some of the renewable energies such as wind or solar energy requires an energy management system or an integration of storage system in order to provide continuous electricity to the consumer.

Conventional grid structure that consists of power generation, transmission line, distribution line and control system has wasted 60% of electricity energy transported from the generation to the consumption area. A centralized and interconnected system of

conventional grid imposed low system reliability as a small failure of the system might cause the entire system to shut down. Microgrid concept that eliminates the complexity of the current grid provides an alternative to the conventional system. Microgrid, which acts as a single controllable unit is a localized system consists of distributed generation, load consumption and control system positioned at distribution level usually near to the load [1]. As the Microgrid is a low voltage distribution system, the stochastic nature of renewable energy is managed more efficiently than integrating directly into the conventional grid. The smaller scale system enables its real time data controller to balance electricity generation with consumption. It is difficult for the centralized and interconnected systems of the conventional grids to manage the system stability and reliability of generation and consumption.

Solar thermal power generation systems are usually built in a high solar radiation and deserted locations. Therefore renewable energy generation has been operated without considering the balance of demand and supply. Since the systems have been built away from the cities, power generation control based on the varying demand has not been possible. Microgrid provides a platform for solar thermal power generation to be implemented and operated closer to the consumers. This will be an emerging technology where electricity is generated based on the solar radiation availability and consumption demand.

Despite the fact that various Microgrid technologies have been reported, most of them were related to Micro grid dispatch strategies for cost reduction. Operations of Micro grid integrated with various distributed generation and objective functions have been summarized and reviewed [2]. An operation strategy approach called expert energy management system (EEMS) was proposed [3]. In this system, optimal set points of distributed generation and storage devices were used to minimize the total operation cost and the net carbon dioxide emission. A dispatch schedule using hyper heuristics algorithms where the discharge schedule is planned based on the capacity and the performance (charge and discharge rate) of the battery to meet the consumption demand and to reduce the consumption from the conventional grid was presented [4]. A forward looking dispatch strategy is proposed for future energy storage planning [5]. With the objective to minimize the cost of implementation and operation of a Microgrid, this study carried out nonlinear component submodules by using moving time horizon to solve the optimal dispatch approach. A global optimization method aimed to minimize daily energy rates cost for the day ahead is presented [6]. Three types of approaches were developed to retrieve an optimal power dispatch from conventional grid. Despite the fact that various renewable energy sources were used for distributed generation, solar thermal power generation with thermal energy storage remained an unexplored energy source to be

integrated into Microgrid. By replacing expensive batteries with thermal storage, it is possible to generate electricity without solar radiation for hours. The thermal storage compensates the fluctuation of the solar radiation and extends the operation time of the solar power generation system during the nighttime. By controlling the operation period during the nighttime, the electricity supply from the conventional grid can be reduced.

In this paper, a solar thermal power generation system is integrated into a Microgrid system. Thermal storage is used to generate electricity when solar radiation is not available by saving the excess heat energy during the daytime. In the proposed system, the thermal storage replaces the battery. In order for the grid system to work efficiently and to compensate the fluctuation of solar energy, the conventional grid is connected to the system. Demand and supply management operation requires managing intermittency of solar energy and solar thermal storage rate for effective energy supply to the consumers. Therefore, a concept study of Microgrid dispatch strategy by optimizing starting time of power generation from thermal storage, which impacts on the minimization of supply energy imported from the conventional grid is formulated.

The rest of the paper is organized as follows; section 2 presents the Microgrid component implementation. The Microgrid dispatch strategy is proposed in Section 3. The report is concluded in Section 4.

2.0 MICROGRID COMPONENTS

2.1 Parabolic Trough Solar Collector

Solar parabolic trough collector is a mature technology to convert solar thermal energy into electrical energy. The solar radiation is collected by the parabolic trough mirror that acts as a sunlight concentrator. An absorber tube or a receiver tube is placed in the focal axis of the parabolic trough concentrator. Heat transfer fluid, which can be water or thermal oil, flows in the receiver tube acts as a heat absorbing material. The collected heat is used to generate steam, which rotates turbines to create electricity.

The solar radiation heat flux is multiplied by the parabolic solar collector. As the direct solar radiation is required by the parabolic trough as the input, the direct solar radiation is estimated from the measured global solar radiation data by the next steps. The energy absorbed by the collector tube, P_{col} is calculated by following equations [7]:

$$P_{col} = GHI * \cos \theta * \eta_{opt} * IAM * R_S * E_L * SF_{Avail} (1)$$

Brief descriptions of the parameters are depicted as below:

- a) Global Horizontal Irradiance, GHI

GHI represents the total solar radiation reaching the earth in horizontal plane of direct normal irradiance and diffuse horizontal irradiance. GHI is measured by an instrument called pyrano meter in Watts per square meter (Wm^{-2}).

b) Angle of incidence, θ

Angle of incidence is the angle between sun beam radiation and normal plane line to the parabolic trough collector aperture. The calculation of the angle of incidence involves declination angle, δ , hour angle, ω , and zenith angle, θ_z . The equation is as below:

$$\cos \theta = \sqrt{\cos^2 \theta_z + \cos^2 \delta \sin^2 \omega} \quad (2)$$

c) Optical efficiency, η_{opt}

Optical efficiency takes account of the losses that occur while solar radiation reached to the collector mirror surface and heats up the thermal fluid inside the collector tube. The equation is a function of mirror reflectivity, ρ and interception factor, γ of the mirror in addition to transmissivity of the glass tube enclosing the absorber tube, τ and absorptivity, α of the absorber tube surface:

$$\eta_{opt} = \rho * \gamma * \tau * \alpha \quad (3)$$

d) Incidence angle modifier, IAM

As angle of incidence increases, incidence angle modifier is introduced to take account of this effect. In the equation below, K is characteristic coefficient that obtained experimentally.

$$IAM = \frac{K}{\cos \theta} \quad (4)$$

e) Row shadow, R_s

This parameter reflects the effect of collectors shading as sun changes altitudes throughout a day. The range of the value is from 0 for collector row fully shaded to maximum value of 1 where there is no shadow effect. Row shadow, R_s is a ratio of effective mirror width, W_{ef} , which is a function of spacing between parabolic trough, $L_{spacing}$ and zenith angle, θ_z to the mirror width, W as shown below:

$$R_s = \frac{W_{ef}}{W} = \frac{L_{spacing} \cos \theta_z}{W \cos \theta} \quad (5)$$

f) End losses, E_L

This parameter represents the inoperable area of absorber tube, where focal length of collector, f , and length of collector tube, L_{col} and incident angle is taken into account as below:

$$E_L = 1 - \frac{\tan \theta}{L_{col}} \quad (6)$$

g) Solar field available, SF_{Avail}

This is the solar field land area size measured in meters where the collector to be located.

2.2 Thermal Storage

Thermal energy storage is one of the most important components to support the solar thermal power generation system. There are three different concepts of thermal storage: sensible heat storage, latent heat storage and thermo-chemical storage [8]. Sensible heat storage stores thermal energy by increasing the temperature of solid or liquid without changing its phases while latent heat storage utilizes the phase change materials (PCM) to store heat. Thermo-chemical storage is an approach using thermo-chemical reactions such as endothermic reaction to store thermal energy.

Despite the difference in thermal storage forms, the storage behaviour for any thermal storage is characterized by state-of-charge (SOC) conditions [9]. The charging and discharging scheme determine the efficiency of thermal storage. The state-of-charge, SOC, can be obtained using the following equation:

$$SOC^t = SOC^{t-1} + P_{col}^t - P_{load}^t \quad (7)$$

Where P_{col} indicates solar energy collected while P_l indicates thermal energy used for electrical demand at specified time step, t .

The storage will be charged if the collected heat energy exceeds the load demand while the discharge mode will take over if collected energy is lesser than the load demand. Simplified function showed as below:

$$\begin{aligned} &\text{Charging state if } P_{col}^t > P_{load}^t \text{ and} \\ &\text{Discharging state if } P_{load}^t > P_{col}^t \end{aligned}$$

Charging and discharging states continue until the thermal storage is fully charged for charging state, or thermal storage is fully discharged for discharging state.

2.3 Solar Thermal Power Plant Integrated with Microgrid

Figure 1 shows the configuration of the solar thermal power generation system with the thermal storage. The heat energy concentrated by the parabolic trough solar collector is used to generate steam, which rotates a turbine. The excess heat energy is saved at the thermal storage for later use.

Micro grid is a low voltage system that consists of distributed generator, electrical load and a central controller as shown in Figure 2. The conventional grid can be connected to and disconnected from the Micro grid via Point-of-Coupling (PCC). Thus the Micro grid has two operation modes; grid connected mode and islanded mode [10]. In normal situation energy transaction can be imported and exported between the Micro grid and the conventional grid. If a fault in the conventional grid exists, the Micro grid will be operated in the islanded mode. Common control concept of Micro grid involves unit commitment and

economic dispatch. Unit commitment control typically deals with the balance between supply and demand of energy, while economic dispatch is a control concept to minimize the cost of energy produced [10].

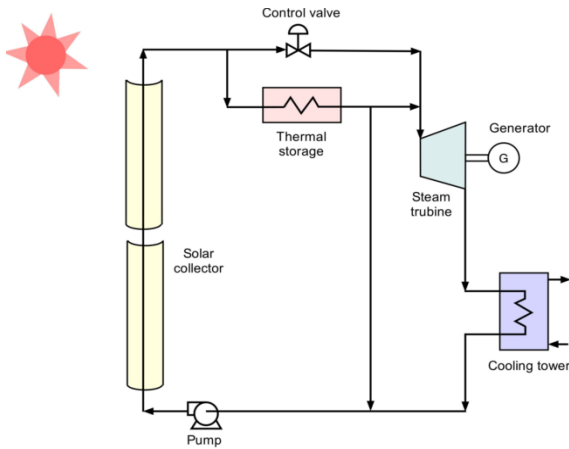


Figure 1 Schematic diagram of solar thermal power plant

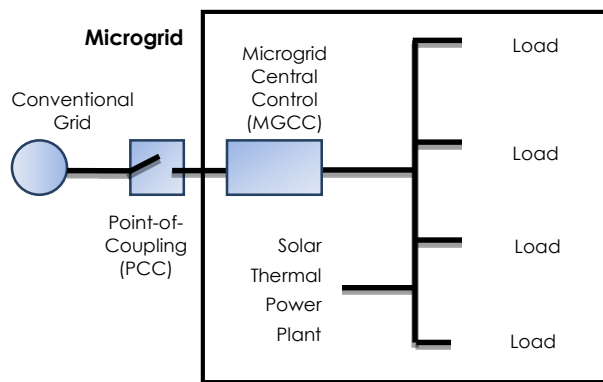


Figure 2 Solar thermal power plant integrated into microgrid structure

3.0 MICROGRID DISPATCH STRATEGY

3.1 Methodology

The objective of this study for a Microgrid dispatch strategy is to reduce the supply wattage required from the conventional grid while maximize the energy generated from the solar thermal power plant. Figure 3 shows the energy flow configuration used in this study.

To demonstrate the capability of the proposed methodology, one week record of hourly electricity consumption is used as a demand example. Solar radiation data measured at Kuala Lumpur is used as the heat energy input to the parabolic trough solar collector. The capacity of the thermal storage is assumed to be 500KWh and heat energy stored at the end of the day for power generation is 20% of its capacity.

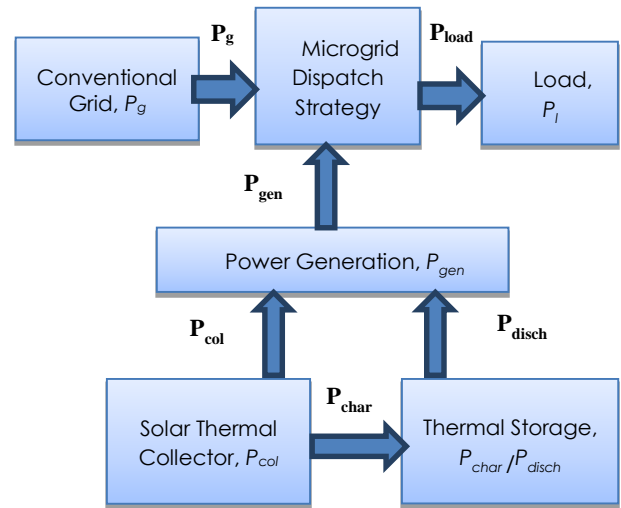


Figure 3 Microgrid energy flow configuration

The Microgrid system is operated with ON/OFF control of constant power generation; solar thermal power generation will be in ON condition when $P_{gen} > P_L$ and conventional grid will be disconnected from Microgrid system. Thermal storage is charging if the solar collectors are receiving more solar energy than the heat energy required for power generation. During the absence of solar radiation, solar thermal power generation will turn ON if the thermal storage is discharging. Mode characterization for each component of the Microgrid system is simplified below:

- a) Conventional grid power, $P_g =$
Connected, 1: Disconnected, 0
- b) Solar thermal power generation, $P_{gen} =$
On, 1: Off, 0
- c) Thermal energy storage, $P_{char} / P_{disch} =$
Charging: Discharging

The proposed dispatch strategy is to determine the optimal starting time to discharge energy from thermal energy storage. On each time step, when the heat energy concentrated at the solar collector is not enough to generate electricity, the required heat is discharged from the thermal storage. The total supply energy from the conventional grid is calculated at each iteration. The next equations indicate the power balance in the Microgrid where η is the efficiency of thermal storage energy conversion:

$$P_{gen}^t = P_{col}^t + (E_{disch}^{t-1} \cdot \eta) \quad (8)$$

$$P_{grid}^t = P_{gen}^t - P_{load}^t \quad (9)$$

3.2 Results and Discussions

Three cases have taken into account for this research using the one week period data of solar radiation and load profile. These three cases are: (1) solar thermal power generation without thermal energy storage

(TES), (2) with thermal storage but without dispatch strategy and (3) with thermal storage and dispatch strategy.

Figure 4 shows the solar radiation and the load profile while Figure 5 shows the comparison of the three cases with taking account of the power generation and power from the conventional grid on a typical day as an example. The power generation without thermal storage case is able to supply power to consumer from 9am to 6pm. Due to the lack of thermal storage, the excessive solar energy is dumped out to the environment. As for the second case, the integration of the thermal storage into the system prolongs the solar thermal power generation operation time by 3 hours: from 9am to 9pm. The supply energy from the conventional grid is also reduced visibly. With the implementation of dispatch strategy, the optimum power generation starting time is identified as 8am. Figure 6 shows the thermal energy stored in the thermal storage with taking account of the dispatch strategy. With this optimized starting time, the average energy imported in this one week operation and the power supplies from conventional grid are minimized simultaneously.

Table 1 summarizes the results for average electric power imported in one week period and the maximum value of electric power imported from the conventional grid. When the dispatch strategy is introduced, the power supply from the conventional grid is reduced by 10% compared to Case 2.

Since the solar radiation fluctuates during the daytime, the thermal storage provides thermal energy to the system when solar radiation is not temporary available. Also, the stored heat is used for power generation during morning and afternoon when there is not enough solar radiation. By using the proposed dispatch strategy the thermal energy saved in the thermal storage is utilized efficiently.

Table 1 Supply energy from conventional grid

CASE	Average Electricity Imported in One Week (kW)	Maximum Electric Power Imported (kW)
Case 1: Solar Thermal Power Plant without TES	12251	144
Case 2: Solar Thermal Power Plant with TES and without Dispatch Strategy	9661	137
Case 3: Solar Thermal Power Plant with TES and with Dispatch Strategy at starting time, t=8am	8590 (Reduction of 10% from case 2)	137

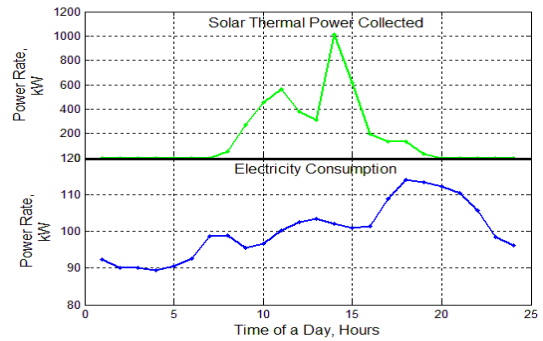
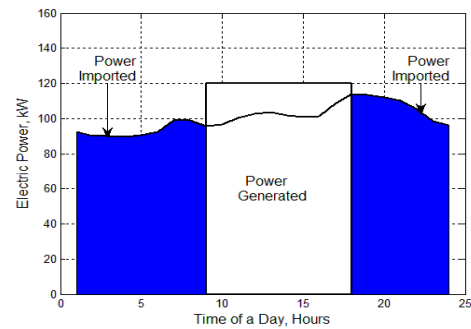
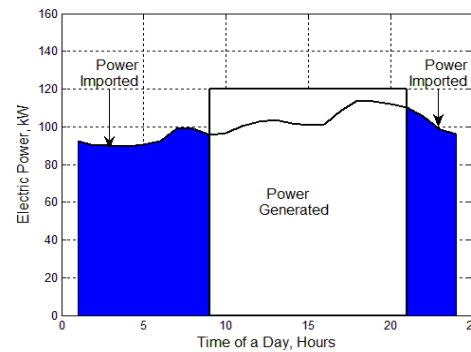


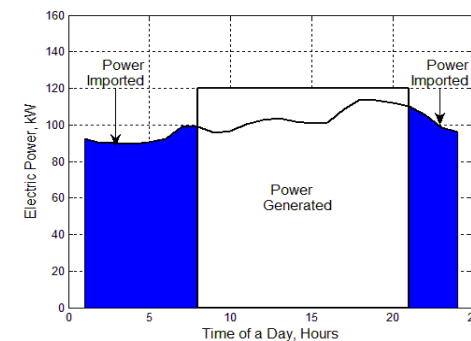
Figure 4 Input data for three cases (solar thermal power collected and electricity consumption)



a) No TES



b) With TES without dispatch strategy



c) With TES with dispatch strategy starting at t=8am

Figure 5 Comparison of the solar thermal power, power generation and power supply profiles from the utility grid obtained for a) no TES, b) with TES without dispatch strategy, and c) with TES with dispatch strategy starting at t=8am

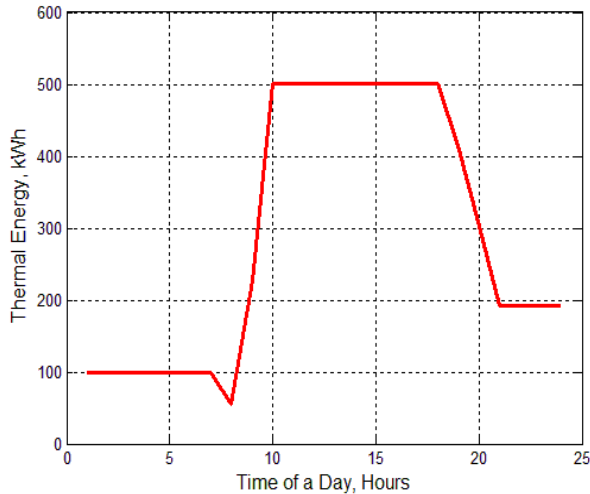


Figure 6 Heat energy stored at Thermal storage with dispatch strategy

4.0 CONCLUSION

In this paper, a Microgrid dispatch strategy for solar thermal power generation plant is proposed. Since the power generation system has a thermal storage, batteries are not required for the Microgrid to compensate the solar radiation fluctuations. This dispatch strategy is implemented so that the total electricity and highest power imported from conventional grid are minimized at the same time. The effectiveness of the proposed dispatch strategy is demonstrated using one week solar radiation and power consumption data. The proposed methodology is being improved further by applying to a longer period of data.

Acknowledgement

The authors would like to thank for the support given to this research by Universiti Teknologi Malaysia (UTM), under PY/2014/03749 grant, Design and Optimization of Solar Thermal Co-Generation System to Overcome Shortcomings of Existing Solar Thermal Technology scheme code.

References

- [1] Chaouachi, A., et al. 2013. Multiobjective Intelligent Energy Management For A Microgrid. *Industrial Electronics*. 60(4): 1688-1699.
- [2] Rahman, H.A., et al. 2015. Operation And Control Strategies Of Integrated Distributed Energy Resources: A Review. *Renewable and Sustainable Energy Reviews*. 51: 1412-1420.
- [3] Motevasel, M. and A.R. Seifi. 2014. Expert Energy Management Of A Micro-Grid Considering Wind Energy Uncertainty. *Energy Conversion and Management*. 83: 58-72.
- [4] Mallol-Poyato, R., et al. 2015. Optimal Discharge Scheduling Of Energy Storage Systems In Microgrids Based On Hyper-Heuristics. *Renewable Energy*. 83: 13-24.
- [5] Whitefoot, J.W., et al., 2011. Optimal Component Sizing And Forward-Looking Dispatch Of An Electrical Microgrid For Energy Storage Planning. *International Design Engineering Technical Conferences And Computers And Information*. 60: 1-7.
- [6] Rigo-Mariani, R., et al., 2014. Optimal Power Dispatching Strategies In Smart-Microgrids With Storage. *Renewable and Sustainable Energy Reviews*. 40: 649-658.
- [7] Jacobson, E., et al., 2006. Solar Parabolic Trough Simulation And Application For A Hybrid Power Plant In Thailand. *Science Asia*. 32(2): 187-199.
- [8] Gil, A., et al. 2010. State Of The Art On High Temperature Thermal Energy Storage For Power Generation. Part 1— Concepts, Materials And Modelling. *Renewable and Sustainable Energy Reviews*. 14(1): 31-55.
- [9] Li, J., W. Wei, and J. Xiang. 2012. A Simple Sizing Algorithm For Stand-Alone PV/Wind/Battery Hybrid Microgrids. *Energies*. 5(12): 5307-5323.
- [10] Ahn, S.-J., et al. 2013. Power Scheduling Of Distributed Generators For Economic And Stable Operation Of A Microgrid. *Smart Grid*. 4(1): 398-405.
- [11] McLarty, D., et al. 2015. Micro-Grid Energy Dispatch Optimization And Predictive Control Algorithms: A UC Irvine Case Study. *International J.I of Electrical Power & Energy Systems*. 65: 179-190.