



Localization Game on Geometric and Planar Graphs

Bartlomiej Bosek, Przemyslaw Gordinowicz, Jaroslaw Grytczuk, Nicolas Nisse, Joanna Sokol, Malgorzata Sleszynska-Nowak

► To cite this version:

Bartlomiej Bosek, Przemyslaw Gordinowicz, Jaroslaw Grytczuk, Nicolas Nisse, Joanna Sokol, et al.. Localization Game on Geometric and Planar Graphs. [Research Report] Inria. 2017. hal-01620365

HAL Id: hal-01620365

<https://hal.inria.fr/hal-01620365>

Submitted on 20 Oct 2017

HAL is a multi-disciplinary open access archive for the deposit and dissemination of scientific research documents, whether they are published or not. The documents may come from teaching and research institutions in France or abroad, or from public or private research centers.

L'archive ouverte pluridisciplinaire **HAL**, est destinée au dépôt et à la diffusion de documents scientifiques de niveau recherche, publiés ou non, émanant des établissements d'enseignement et de recherche français ou étrangers, des laboratoires publics ou privés.

LOCALIZATION GAME ON GEOMETRIC AND PLANAR GRAPHS

BARTŁOMIEJ BOSEK, PRZEMYSŁAW GORDINOWICZ, JAROSŁAW GRZYTCZUK, NICOLAS NISSE,
JOANNA SOKÓŁ, AND MAŁGORZATA ŚLESZYŃSKA-NOWAK

ABSTRACT. The main topic of this paper is motivated by a localization problem in cellular networks. Given a graph G we want to localize a walking agent by checking his distance to as few vertices as possible. The model we introduce is based on a pursuit graph game that resembles the famous Cops and Robbers game. It can be considered as a game theoretic variant of the *metric dimension* of a graph. We provide upper bounds on the related graph invariant $\zeta(G)$, defined as the least number of cops needed to localize the robber on a graph G , for several classes of graphs (trees, bipartite graphs, etc). Our main result is that, surprisingly, there exists planar graphs of treewidth 2 and unbounded $\zeta(G)$. On a positive side, we prove that $\zeta(G)$ is bounded by the pathwidth of G . We then show that the algorithmic problem of determining $\zeta(G)$ is NP-hard in graphs with diameter at most 2. Finally, we show that at most one cop can approximate (arbitrary close) the location of the robber in the Euclidean plane.

1. INTRODUCTION

Among dozens of games studied in graph theory, the game of *Cops and Robbers* [4] is one of the most intriguing. Two players, the cops and the robber, occupy vertices of a graph G , and move along edges to neighboring vertices or remain on their current vertex. The cops move first by occupying a set of vertices. The robber then chooses a vertex to occupy, and the players move in alternate rounds. The game is played with perfect information, so the players see each others' moves. The cops win if they can capture the robber by moving to a vertex the robber occupies; otherwise, the robber wins. The *cop number* of a graph G , denoted by $c(G)$, is the minimum number of cops needed to win in G .

The game was introduced independently by Quilliot [16] and Nowakowski and Winkler [14]. Since then it gained lots of research activity resulting in many deep results, unexpected connections, and challenging open problems. Also numerous variants motivated by applications in diverse areas of mathematics and computer science have been considered (see [1], [4], [9], [19]).

In this paper, we study another variant inspired by localization problems in wireless networks. The recent growing popularity of mobile devices (iphones, smartphones, etc.) stimulated lots of technological invention as well as theoretical research for solutions of real-life localization tasks (see [2], [10], [15]). In one of many possible approaches, a network is modeled as a graph with radio signal receivers (such as Wi-Fi access points) located at some vertices. The strength of the signal from a mobile phone is proportional to its distance to particular receivers. So, the information on the actual position of the mobile phone in the network is only partial. Moreover, the mobile phone holder may walk along the network

This work was supported by The National Center for Research (J. Grytczuk, J. Sokół, M. Śleszyńska-Nowak) and Development under the project PBS2/B3/24/2014, by the ANR project Stint (ANR-13-BS02-0007) (N. Nisse) and the associated Inria team AIDyNet (N. Nisse).

changing his position in time. The task is to find him precisely at some point by a procedure with prescribed efficiency.

Motivated by this scenario, we consider the following metric version of the Cops and Robbers game. Let $G = (V, E)$ be a simple connected undirected graph and let $k \geq 1$ be a fixed integer. The *localization game* involves two Players: the *Cop-player* (playing with a team of k cops) and the *Robber-player* (the robber), and proceeds as follows. In the first turn, the robber chooses a vertex $r \in V$ unknown to the Cop-player (in the localization game, the robber is *a priori* “invisible”). Then, at every turn, first the Cop-player picks (or probes) k vertices $B = \{v_1, v_2, \dots, v_k\} \in V^k$ and, in return, gets the vector $D(B) = (d_1, d_2, \dots, d_k)$ where $d_i = d_G(r, v_i)$ is the distance (in G) from r to v_i for every $i = 1, 2, \dots, k$. If the Cop-player can determine the position of the Robber-player from $D(B)$ (i.e., r is uniquely defined by $D(B)$ and the knowledge that the Cop-player has from previous turns), then the Cop-player wins. Note that r is not required to be in B . Otherwise, the Robber-player may move to a neighboring node $r' \in N[r]^1$ (unknown by the Cop-player) and then, during the next turn, the Cop-player can probe another set (possibly the same) of k vertices, and if the robber is not located the robber may move to a neighbor, and so on. The cops win if they can precisely locate the position (the occupied vertex) of the robber after a finite number of turns (before the possible move of the robber). The robber wins otherwise. Let $\zeta(G)$ denote the least integer k for which the cops have a winning strategy whatever be the strategy of the robber (that is, we consider the worst case when the Robber-player *a priori* knows the whole strategy of the Cop-player). The graph-parameter $\zeta(G)$ is called the *localization number* of a graph G . Notice that this parameter is well defined since the inequality $\zeta(G) \leq |V(G)|$ holds obviously. Note also that, by definition, $\zeta(G)$ is equal to the maximum $\zeta(C)$ among the connected components C of G . Therefore, from now on, only connected graphs are considered.

This game restricted to $k = 1$ was introduced by Seager [17], and studied further in [5], [6], [18]. It can be shown that, for every tree T , $\zeta(T) \leq 2$ [17]. Moreover, trees T for which $\zeta(T) = 2$ are characterized in [18]. More precisely, Seager [17] proved that one cop is sufficient to localize a robber on any tree when robber is not allowed to move to a vertex just checked by the cop (in the previous round). In [18], she proved that this restriction is necessary for trees that contains a ternary regular tree of height 2 as a subtree.

The localization game is also connected to the notion of *metric dimension*² of a graph G , denoted by $\dim(G)$, introduced independently by Harary and Melter [11], and by Slater [20]. Indeed, $\dim(G)$ can be defined as the least number k such that the Cop-player wins the localization game in one turn by cleverly choosing k vertices of G . Hence, the parameter $\zeta(G)$ can be seen as the game theoretic variant of $\dim(G)$. The localization game has also been introduced recently in [12], where it is proven that $\zeta(G) \leq \lfloor \frac{(\Delta+1)^2}{4} \rfloor + 1$ in any graph G with maximum degree Δ .

Our main goal in this paper is to find out for which classes of graphs the number $\zeta(G)$ is bounded. Clearly, this holds for classes with bounded metric dimension by the trivial inequality $\zeta(G) \leq \dim(G)$. We are mainly interested in graph classes with bounded traditional cop number $c(G)$. In particular we focus on graphs with various geometric representations

¹In this paper, $N(v)$ denotes the set of neighbors of a vertex v and $N[v] = N(v) \cup \{v\}$.

²The metric dimension of a graph G is the minimum cardinality of a subset S of vertices such that all other vertices are uniquely determined by their distances to the vertices in S .

because of their frequent applications to cellular networks, including planar graphs for which $c(G) \leq 3$ as proved by Aigner and Fromme in [1].

Our results. As a warm-up, we give easy results and intuitions on the localization number (Section 2). Then, we show $\zeta(G) \leq k$ for any graph with pathwidth at most k (Section 3). Our main result is that, somewhat surprisingly, $\zeta(G)$ is unbounded in graphs obtained from any tree by adding a universal vertex (i.e., planar graphs with treewidth at most 2) (Section 4). Then, we show that deciding whether $\zeta(G) \leq k$ is NP-complete in the class of graphs G with diameter at most 2 (Section 5). Finally, we prove boundedness of $\zeta(G)$ for some geometric graph in the plane (Section 6). In the final section (Section 7) we set several open problems for future research.

2. WARM-UP

Let us start with determining the localization number of some simple graphs. For instance, for a path P_n on n vertices, we have $\zeta(P_n) = 1$. Indeed, the Cop-player wins in one turn by starting from one of the ends of the path, which shows that also $\dim(P_n) = 1$. For complete graphs we have $\zeta(K_n) = \dim(K_n) = n - 1$. On the other hand, for a star S_n on n vertices, $\dim(S_n) = n - 1$, while $\zeta(S_n) = 1$. To see this latter statement suppose that the Cop-player probes the leaves one by one. At some point the robber must be located. So, the difference between parameters $\zeta(G)$ and $\dim(G)$ can be arbitrarily large.

Determination of $\zeta(G)$ for complete bipartite graphs is slightly less immediate.

Proposition 1. *Every complete bipartite graph $K_{a,b}$ satisfies $\zeta(K_{a,b}) = \min(a, b)$.*

Proof. Let A and B be the two partition classes of $K_{a,b}$ with size a and b , respectively. We can assume that $a \leq b$. First we will show that $\zeta(K_{a,b}) \leq \min(a, b)$. In the first round the Cop-player probes all vertices of A except one, and probes one vertex of B . If the robber occupies any vertex from A , the Cop-player wins, as she gets answer 0 from one vertex from A or all answers from vertices from A are 2 in which case the robber is in the unselected vertex from A . Otherwise, in next turns, the Cop-player changes only one vertex; she still probes all vertices of A except one, and she probes a new vertex of B . If the robber stays all the time in the same of the vertices of B , the Cop-player will locate him at some round. If he moves to some vertex from A , she will also locate him.

Now we will show that if the Cop-player can probe at most $\min(a, b) - 1$ vertices in each round, then the robber has a winning strategy. If the Cop-player probes all vertices from only one partition class, then the robber may choose any of vertices from the second class. If the Cop-player probes at least one vertex from B , then the robber may stay in one of the unselected vertices from A (remind that the robber fully knows the strategy of Cop since we are considering a worst case). As there are at least two such vertices the robber remains hidden. The proof is complete. \square

Corollary 2. *Every bipartite graph G with partition classes of size a and b satisfies $\zeta(G) \leq \min(a, b)$.*

Proof. The idea of the proof is the same as in case of complete bipartite graphs. This time, the cops recognize the partition class in which the robber is by parity of answers. If all answers from vertices from A are even and different from 0, then the robber is in the unselected vertex from A . Otherwise he occupies one of vertices from B and the cops will eventually locate him in some future round. \square

It is also worth noticing that in general parameter $\zeta(G)$ is not monotone on taking subgraphs. Let G be as depicted in Figure 1, and let $H = K_4$ be its subgraph. It is not hard to check that $\zeta(G) = 2$ (by starting with two added vertices), while $\zeta(H) = \zeta(K_4) = 3$.

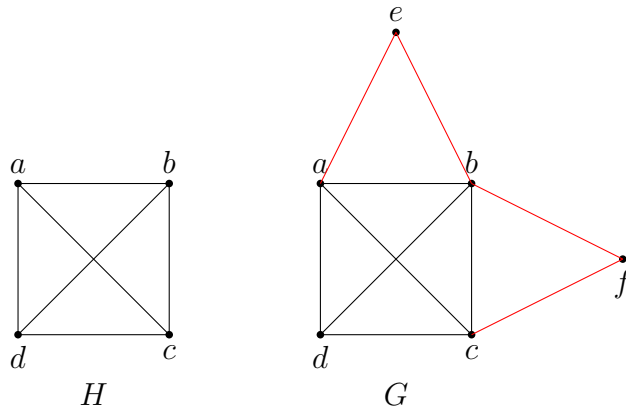


FIGURE 1. $\zeta(H) = 3$, $\zeta(G) = 2$

3. PATHWIDTH

In this section, we show that the localization number of a graph is bounded from above by the pathwidth of the graph.

A *path-decomposition* of a graph $G = (V, E)$ is a sequence $\mathcal{X} = (X_1, \dots, X_t)$ of subsets of V , called *bags*, such that, for every edge $\{u, v\} \in E$, there exists a bag containing both u and v , and such that, for every $1 \leq i \leq k \leq j \leq t$, $X_i \cap X_j \subseteq X_k$. The *width* of \mathcal{X} equals $\max_{1 \leq i \leq t} |X_i| - 1$ and the *pathwidth* of G , denoted by $pw(G)$, is the minimum width of its path-decompositions. Pathwidth and path-decompositions are closely related to some kind of pursuit-evasion games [3].

Proposition 3. *Every graph G satisfies $\zeta(G) \leq pw(G)$. Moreover, this bound is achieved for interval graphs.*

Przemek: Proof was changed from submission.

Proof. We may assume that G is connected and has at least two vertices. Let (X_1, \dots, X_t) be an optimal path-decomposition (of width $pw(G)$) of G . We may assume that $|X_i \setminus X_{i+1}| \geq 1$ for every $1 \leq i < t$ (otherwise, if $X_i \subseteq X_{i+1}$, we may consider the path decomposition $(X_1, \dots, X_{i-1}, X_{i+1}, \dots, X_t)$). We also may assume that, for every $1 \leq i < t$ and every $u \in X_i \setminus X_{i+1}$, u has a neighbor in X_i (otherwise, because G is connected, we may consider the path decomposition $(X_1, \dots, X_{i-1}, X_i \setminus \{u\}, X_{i+1}, \dots, X_t)$).

For every $1 \leq i < t$, let u_i be any vertex in $X_i \setminus X_{i+1}$ and let v_i be a neighbor of u_i in X_i . Finally, let v_t be any vertex in $X_t \setminus X_{t-1}$ and u_t be any neighbor of v_t (u_t exists since G is connected and belongs to X_t). Sequentially, for $i = 1$ to t , the Cop-player probes $X_i \setminus v_i$. We will show by induction on i , that before the i^{th} turn of the Cop-player, the robber must occupy some vertex in $\bigcup_{j \leq i} X_j$ (this clearly holds for $i = 1$). If the robber is in $X_i \setminus v_i$, he is located. Moreover, if he is in v_i , he is located because the robber is at distance 1 from u_i (and not already localized) iff he is at v_i . If not located, the robber must be in $G \setminus (\bigcup_{j \leq i} X_j)$. By

moving, the robber can only reach some vertex in $\bigcup_{i+1 \leq j} X_j$. Hence, the induction hypothesis holds. Eventually (for $i = t$), the robber will be located.

To show that the bound is achieved in interval graphs, consider the strategy where the robber stays in a maximum clique of an interval graph G (i.e., a clique of size $pw(G) + 1$). Using at most $pw(G) - 1$ probes, there are always two vertices of the clique that are not distinguishable and where the robber may be. \square

4. PLANAR GRAPHS; BLIND COPS AND BUSH CUTTING

This section is devoted to prove that the localization number of planar graphs (even for graphs obtained from a tree by adding to it a universal vertex, in particular, with treewidth 2) is unbounded. To this end we introduce another variant of the localization game in which the cops are *blind*. The game proceeds as follows. First the robber chooses a vertex of a graph G (unknown to the cops). Then k blind cops probe k vertices of G and their neighbors. That is, if the robber is occupying one of the probed vertices or any neighbor of the probed vertices, it is immediately caught. Otherwise, the cops only learn that the robber do not occupy any of these vertices. If the robber is caught the game is over. Otherwise, in next round robber may walk to a neighboring vertex while cops may choose new vertices arbitrarily. Let $\zeta_b(G)$ denote the least number of blind cops needed to catch the robber on a graph G . Note that $\zeta_b(G)$ and $\zeta(G)$ are *a priori* not comparable since, in the blind game, the cops have less power if the robber is “far” (they do not get any information about its distance) but the cops are more powerful if the robber is “close”, since the robber is precisely located (and so, caught) at any vertex of the closed neighborhood of the probed vertices.

However, the following proposition shows relation between the two localization games.

Proposition 4. *For a given graph G , let G' be a copy of G with one additional vertex v adjacent to all vertices of G . Then $\zeta_b(G) \leq \zeta(G')$.*

Proof. Suppose that $\zeta(G') = k$, and consider localization game on G' with $k + 1$ cops, with one extra cop placed on the new vertex v during the whole game. This forces robber to use only vertices of G , but of course, the cops still have a winning strategy. Moreover, each situation in the usual localization game on G' is now transformed into the blind cops game on G (removing the cop in v). That is so, because the distance in G' from the robber to any vertex occupied by a cop is either one or two, which corresponds to the situation when the robber is in the neighborhood of a cop or not (in the blind game on G). By the assumption the usual game ends with localizing the robber at some vertex x . Hence, the blind game can be ended in the next move by placing a cop on that vertex x . \square

Our aim is now to prove that there exists a sequence of trees \mathcal{T}_k such that $\zeta_b(\mathcal{T}_k) > k$. By Proposition 4, this will prove unboundedness of $\zeta(G)$ for planar graphs since each graph \mathcal{T}'_k is planar. To achieve this goal we introduce a slightly modified game just to simplify the logic of forthcoming arguments.

Consider the following turn-by-turn game. Let k be a positive integer. Initially, a *bush* is present on each vertex of a graph and the goal of k *bush-cutters* is to remove it completely. At every turn, every bush-cutter chooses a vertex and removes the bush from the closed neighborhood of it. Then, the bush extends to every neighbor of the vertices where the bush is still present. Let the *bush number* of G , denoted by $B(G)$, be the least number of bush-cutters for which there is a strategy to remove the bush. Clearly by choosing any dominating

set bush-cutters can cut the whole bush in one round. Hence the bush number is well defined and $B(G) \leq \gamma(G)$, where $\gamma(G)$ denotes the size of a smallest dominating set of G .

Note that this model is connected with the blind cops game strategy in the following sense.

Proposition 5. *Every graph G satisfies $B(G) \leq \zeta_b(G)$.*

Proof. Suppose for a contrary that k -cutters never can cut the whole bush on G , i.e., $k < B(G)$. We show that $k < \zeta_b(G)$, that is, we show that the robber can win against k blind cops. It means that we aim at describing an infinite strategy of the robber that prevents the k blind cops to localized it. Since the strategy of the blind cops is deterministic and the number of configurations (positions of the cops and of the robber) is finite, it is sufficient to show that there is a long enough strategy of the robber that prevents the k blind cops to localized it. We actually show that, for every $t \in \mathbb{N}$ and for every strategy of the cops, there is a strategy of the robber that prevents the k blind cops to localized it for at least t rounds.

Let us consider any strategy \mathcal{S} of k blind cops (i.e., at every turn, k vertices are probed). Note that, in the blind game, the cops get no information unless they localize the robber and win. Therefore, any strategy is actually defined as an infinite sequence $(v_1^i, \dots, v_k^i)_{i \in \mathbb{N}}$, where the vertices in (v_1^i, \dots, v_k^i) are the ones that are probed at the i th turn. The strategy is winning if there is a turn i when the robber is occupying a vertex in the closed neighborhood of the probed vertices at this turn.

Let us show that, for every $t \in \mathbb{N}$, there is a strategy for the robber to win against \mathcal{S} during at least k turns. Let \mathcal{S}' be the strategy of k brush-cutters that follows \mathcal{S} (i.e., when one vertex v is probed in \mathcal{S} , the bush is cut in $N[v]$ in \mathcal{S}'). Since $k < B(G)$, after t turns, there is a vertex $x \in V(G)$ that still belongs to the bush. By definition of the growth of the bush, there exists a sequence $W = (x_1, \dots, x_t)$ of vertices such that, for every $1 \leq i \leq t$, $x_{i+1} \in N[x_i]$ and x_i is in the bush after the i th turn of the cut-bushers.

Note that for every turn i , there is $x_i \notin \bigcup_{j \leq k} N[v_j^i]$. Hence, the robber just has to follow the walk W in order to win t turns against \mathcal{S} . \square

Przemek: Lemma 6 (in the previous version) was wrong, removed. I've rewritten the tatement and the proof of the following to omit using it. Please check it. For your (and my) convenience I've decided to write everything in black.

Begin of changes.

Before proving the main result of this section we will need the following technical lemma on bicolored matchings in trees. Let (T, f) be any tree together with a coloring $f: V(T) \rightarrow \{0, 1\}$ where f is any 2-vertex coloring of the tree T (not necessary proper). Recall that a *matching* is a set of disjoint edges. We say that a matching $M \subseteq E(T)$ of a 2-colored tree (T, f) is *bicolored* if every edge $uv \in M$ has endpoints in different colors, in other words $f(u) \neq f(v)$. We say that (T, f) is *monochromatic* if $f^{-1}(1) = V(T)$ or $f^{-1}(0) = V(T)$, i.e., if all vertices receive the same color. The following claim is obvious:

Claim 6. *If (T, f) is not monochromatic, then there is a bicolored edge.*

Przemek: I've changed name of root vertex to v to prevent misunderstanding as we use term r -subtree for rooted trees with noname root. Given a tree T rooted in $v \in V(T)$, an r -subtree T' of T is any sub-tree of T rooted in a child of the root vertex v . For any $k \geq 1$ and $h \geq 1$, let T_h^k be the complete $(12k+1)$ -ary rooted tree of height h . Let $n_{h,k} = |V(T_h^k)| = (12k+1)^h + 1$.

Lemma 7. *Let $k \geq 1$, T_h^k be complete $(12k + 1)$ -ary rooted tree of height $1 \leq h \leq 6k$. Let $f: V(T_h^k) \rightarrow \{0, 1\}$ be any 2-vertex coloring of T_h^k such that*

$$(4.1) \quad \frac{n_{h,k} + h - 8k}{2} \leq |f^{-1}(\{1\})| < \frac{n_{h,k} + 6k - h}{2}.$$

Then there exists a bicolored matching of size at least h .

Proof. The proof is by induction on $h \geq 1$. For base step, $h = 1$ note that a tree T_1^k have between $2k$ and $9k$ leaves with color 1. Hence, since T_1^k has $12k + 1$ leaves, T_1^k is non monochromatic, there is a bicolored edge (matching of size 1).

Now, let h be such that $1 < h \leq 6k$, and let us assume by induction that the lemma is true for every $h' < h$. Let f be any 2-coloring of T_h^k satisfying (4.1), and let M be a corresponding maximum bicolored matching. We show that $|M| \geq h$.

If (T_h^k, f) contains at least $6k$ (vertex-disjoint) non-monochromatic r -subtrees, then there is a bicolored matching M with $|M| \geq 6k \geq h$ by Claim 6 and the lemma is proved. Hence, we may assume that T_h^k contains at most $6k - 1$ non-monochromatic r -subtrees, i.e., at least $6k + 2$ monochromatic r -subtrees.

By (4.1), for $y \in \{0, 1\}$, the number of monochromatic y -colored r -subtrees is not greater than $6k$. Therefore, there must be at least one monochromatic r -subtree colored with 0 and at least one colored with 1. Hence, the root of T_h^k is an endpoint of some edge of M . There are two cases to be considered.

- (1) If a unique r -subtree (say T') is not colored monochromatically by f , then we are done. Indeed, in this case, by above paragraph, there are exactly $6k$ monochromatic r -subtrees colored with 0 and $6k$ monochromatic r -subtrees colored with 1. Note that the number of vertices $n_{h-1,k}$ of any r -subtree satisfies $(12k + 1)n_{h-1,k} + 1 = n_{h,k}$. Hence, by (4.1), the number $|f_{|T'}^{-1}(\{1\})|$ of vertices colored with 1 in T' is between $\frac{n_{h,k} + h - 8k}{2} - 6k * n_{h-1,k} - 1$ (the last "minus one" is in case the root of T_h^k is colored with 1) and $\frac{n_{h,k} + 6k - h}{2} - 6k * n_{h-1,k}$. That is,

$$\frac{n_{h-1,k} + (h - 1) - 8k}{2} \leq |f_{|T'}^{-1}(\{1\})| < \frac{n_{h-1,k} + 6k - (h - 1)}{2}$$

Therefore, by the inductive assumption, T' contains a matching of at least $h - 1$ bicolored edges. Adding the bicolored edge between one monochromatic r -subtree and the root of T_h^k , we get that a bicolored matching of size at least h in T_h^k .

- (2) Suppose now that there are $x \geq 2$ non monochromatic r -subtrees. Enumerate all r -subtrees by $T_1, T_2, \dots, T_{12k+1-x}, T_{12k+2-x}, \dots, T_{12k+1}$, in such a way that, for every $i \leq 12k + 1 - x$, the r -subtree T_i is monochrome (while the r -subtrees $T_{12k+2-x}, \dots, T_{12k+1}$ are not monochromatic). Consider now the subtrees of T_h^k rooted in the grand-children of the root of T_h^k , i.e., the r -subtrees of the T_i 's. To avoid confusion, let us refer to these $(12k + 1)(12k + 1)$ subtrees as the s -subtrees.

Note that there are less than $6k$ non monochromatic such s -subtrees since otherwise, by Claim 6, we would already get a bicolored matching of size at least $6k$. Combined with (4.1), this implies that, for $y \in \{0, 1\}$, there are at least $(12k + 1)6k + 1$ monochromatic s -subtrees colored with y . Therefore, at least one of T_i 's has monochromatic s -subtree in each color. Renumbering when necessary, assume that it is $T' = T_{12k+1}$. We claim that it is possible to improve the coloring f to a new coloring f' , satisfying

$|f'^{-1}(\{1\})| = |f^{-1}(\{1\})|$ such that the maximum bicolored matching M' corresponding to f' is such that $|M'| \leq |M|$ and all trees T_i for $i < 12k + 1$ are monochromatic. Therefore, we are back to the case (1) when there is exactly one non-monochromatic r -subtree which finishes the proof.

Let $z < 6k$ be the number of non monochromatic s -subtrees. Note that, the x non monochromatic r -subtrees T_i ($i \geq 12k + 2 - x$) contain $(12k + 1)x - z$ monochromatic s -subtrees. Let t_y be the number of monochromatic s -subtrees with color $y \in \{0, 1\}$. Note that, according to (4.1) one has

$$t_0 \bmod (12k + 1) + t_1 \bmod (12k + 1) + z = 12k + 1.$$

Indeed, for $h = 2$ there is $z = 0$. For $h > 2$ consider such a coloring of these z s -subtrees that numbers of y -colored vertices are the same and at most one s -subtree is non monochrome, clearly there is $z_y < z$ y -colored s -subtrees for $y \in \{0, 1\}$. Notice that (from (4.1)) there is $t_y \bmod (12k + 1) + z_y = 6k$, while $z_y < z < 6k$.

We want to exchange these s -subtrees (precisely, we aim at exchanging their coloring) between r -subtrees to minimize the number of r -subtrees containing s -subtrees in both colors. So, for $y \in \{0, 1\}$, let $x_y = \lfloor \frac{t_y}{12k+1} \rfloor$ be the number of desired monochromatic trees T_i with $i \geq 12k + 1 - x$. Clearly $x_0 + x_1 = x - 1$, moreover at least x_y r -subtrees T_i contains monochromatic s -subtree in a color y . For i between $12k + 2 - x$ and $12k$ assign g_i as the desired color of the r -subtree T_i following the two rules: the tree T_i contains monochromatic s -subtree in color g_i and among values of g_i , there are precisely x_0 zeros and x_1 ones.

By a simple counting argument, for at least one color $y \in \{0, 1\}$ there are at least two monochromatic y -colored s -subtrees in $T' = T_{12k+1}$ and there is a tree T_i with $g_i = y$ such that T_i contains an s -subtree which is not in color y (either non monochrome or in other color). We improve the coloring exchanging those two subtrees. Note, that it does not increase the size of the bicolored matching (as T' contains another monochromatic subtrees in both colors, while T_i in color y). We repeat this procedure until each r -subtree T_i , $i < 12k + 1$, contains only monochromatic s -subtrees in one color. Now, for each r -subtrees T_i for which the root has a color different than g_i , let us exchange the color of this root with the color of some vertex from the tree T' with the opposite color. Clearly it removes one edge from a matching (in the tree T_i) and adds at most one in T' . Therefore it does not increase the total size of the bicolored matching. Finally, we have obtained a coloring f' as claimed which finishes the proof. \square

Przemek: End of changes

We are now ready to prove the aforementioned result.

Theorem 8. *For every $k \geq 1$, there exists a tree \mathcal{T}_k such that $B(\mathcal{T}_k) > k$.*

Proof. Let $k, i \in \mathbb{N}$. Let T_i^k be the complete $(12k + 1)$ -ary rooted tree of height i . The number of vertices of T_i^k satisfies

$$|V(T_i^k)| = \frac{(12k + 1)^{i+1} - 1}{12k}.$$

The tree \mathcal{T}_k is constructed by subdividing twice each edge of T_{6k}^k . The vertices of \mathcal{T}_k of degree different than 2 are said *regular* vertices, while vertices of degree 2 — *subdivision* vertices.

For regular vertices we will use a terminology of parents, children, ancestors and descendants (regarding corresponding T_{6k}^k tree), while for the whole tree — a terminology of neighbors.

Let $k \geq 1$. Let $n = |V(T_{6k}^k)|$ denote the number of regular vertices in \mathcal{T}_k . We show that k bush-cutters cannot clean a tree \mathcal{T}_k . Suppose otherwise. Then there exists a strategy of cutting allowing to clean the tree. For each time step t (before cutters move) denote by m_t number of clean (without bush) regular vertices.

Let now t be the last round when, before cutters move, bush grows on more than a half of regular vertices, so this is the last moment when $m_t < \frac{n}{2}$. As at each time step cutters can cut at most k regular vertices the number m_t of clean regular vertices satisfies inequality $\frac{n}{2} - k \leq m_t$.

By Lemma 7 (color vertices of T_{6k}^k by 0 or by 1 whether corresponding regular vertices of \mathcal{T}_k are bush or clean respectively), there exists a bicolored matching M of size $6k$ in T_{6k}^k (whose edges are between bush and clean vertices). In the tree \mathcal{T}_k , the edges of M correspond to paths (say M -paths) of length 3 connecting bush and clean vertices with the property that each vertex belong to at most one such path.

In three consecutive rounds cutters can cut the bush on at most $3k$ endpoints of M -paths. While on at least $3k$ such an endpoints bush regrows. Hence, $m_{t+3} \leq m_t < \frac{n}{2}$. A contradiction. \square

From Propositions 4 and 5 and Theorem 8, we get that:

Corollary 9. *For any $k > 0$, there exists a planar graph G with treewidth 2 (precisely, a tree plus a universal vertex) such that $\zeta(G) > k$.*

5. COMPLEXITY

In this section, we prove that the localization game (i.e., computing ζ) is NP-hard.

We first introduce some related problems. A set $L \subseteq V$ of vertices is called a *locating set* if, for every $u, v \in V \setminus L$, $N[u] \cap L \neq N[v] \cap L$. Note that a locating set must “see” almost all vertices. Formally, for any locating set L , $|V \setminus N[L]| \leq 1$. Indeed, otherwise, there would be two vertices u, v such that $N[u] \cap L = N[v] \cap L = \emptyset$. A set $LD \subseteq V$ of vertices is called a *dominating-locating set* if LD is a dominating set and, for every $u, v \in V \setminus LD$, $N[u] \cap LD \neq N[v] \cap LD$. By definition, the minimum size of a dominating-locating set is at least the minimum size of locating set. Moreover, by remark above the minimum size of a dominating-locating set is at most one plus the minimum size of locating set. It is known that:

Theorem 10. [8, 7] *Computing a minimum dominating-locating set is NP-hard.*

We first deduce the following easy result

Corollary 11. *Computing a minimum locating set is NP-hard in the class of graphs with diameter 2.*

Proof. We first show that computing a minimum locating set is NP-hard in general graphs. We present a reduction from the problem of computing a minimum dominating-locating set which is NP-hard by previous Theorem. Let G be any graph and let G' be the graph obtained from G by adding to it an isolated vertex x . Then, G has a locating-dominating set of size k if and only if G' has a locating set of size k . Indeed,

- assume that $C \subseteq V(G)$ is a locating-dominating set of G , then it is clearly a locating set of G' (where x is the only vertex with $N[x] \cap C = \emptyset$).

- On the other hand, let $C \subseteq V(G')$ be locating set of G' . If $C \cap V(G)$ is a dominating set of $V(G)$, then C is a locating-dominating set of G . Otherwise, a unique vertex $v \in V(G)$ is not dominated by C . In that case, x must belong to C (otherwise we would have $N[x] \cap C = N[v] \cap C = \emptyset$). Therefore, $C \cup \{v\} \setminus \{x\}$ is a locating-dominating set of G with same size than C .

Now, let us show that computing a minimum locating set is NP-hard in the class of graphs with a universal vertex. The reduction is from the locating set problem which is NP-hard by previous paragraph. Let G be any graph with at least two vertices, and let G' be the graph obtained from G by adding three new vertices u, v, w , the edge $\{v, w\}$ and making u universal, i.e., adjacent to every vertex of $V(G) \cup \{v, w\}$. Then, G has a locating set of size k if and only if G' has a locating set of size $k + 1$. Indeed,

- if $C \subseteq V(G)$ is a locating set of G , then $C \cup \{v\}$ is a locating set for G' .
- Now, let $C \subseteq V(G')$ be a minimum locating set of G' . It is easy to check that exactly one of v or w must belong to C (if none of them belongs to it, they cannot be distinguished, and if both of them belongs to C , one of them can be removed) and that u does not (adding u in C would differentiate only itself while it is already identified by v or w). W.l.o.g., we may assume that $C \cap \{u, v, w\} = \{v\}$. Therefore, it is also easy to check that $C \setminus \{v\}$ is a locating set for G .

□

We are now ready for our main result

Theorem 12. *The localization game is NP-hard.*

Proof. We present a reduction from the problem of computing a minimum locating set in graphs with diameter 2 which is NP-hard by previous corollary.

Let G be any n -node graph with diameter 2. Let G' be the graph obtained from G by adding $n + 1$ pairwise non-adjacent vertices x_1, \dots, x_{n+1} , each of them being adjacent to every vertex of $V(G)$. Note that, because G has diameter 2, then G is an isometric subgraph of G' (i.e., distances are preserved). Let k be the minimum size of a locating set of G . We prove that $\zeta(G') = k + 1$.

- First, let us prove that $\zeta(G') \leq k + 1$. Let C be a locating set of G with size k . The game will last at most $n + 1$ turns. At turn i , the Cop-player probes the vertices in $C \cup \{x_i\}$. We show that the robber can never reach a vertex of $V(G)$ without being immediately caught. Therefore, the robber is stacked at its initial position in $\{x_1, \dots, x_{n+1}\}$, say x_j . Hence, it will be caught at turn j .

First, at every turn i , the Cop-player can decide if the location r of the robber belongs to $V(G)$ or not. Indeed, the robber is located at $\{x_1, \dots, x_{n+1}\}$ if and only if the distance between r and x_i is strictly larger than the distance between r and every other vertex of C .

Now assume that $r \in V(G)$ just before any turn i and that $r \notin C$ (otherwise it is immediately caught). For every vertex $v \in C$, $r \in N(v)$ if and only if the distance between v and r equals the distance between r and x_i . Since C is a locating set (and recall that G is isometric in G'), r can be identified.

- Finally, let us prove that $\zeta(G') \geq k + 1$. For this purpose, let us describe an escape strategy for the robber when the Cop-player can probe at most k vertices at each turn. Note that, since (obviously) $k < n$, at every turn, at least two vertices of $\{x_1, \dots, x_{n+1}\}$ are not probed.

- If the robber is currently occupying a vertex of $V(G)$, then it goes to a vertex x_i that will not be probed by the Cop-player (recall that we assume the worst case, i.e., the robber knows the whole strategy of the Cop-player). By the remark above (two vertices of $\{x_1, \dots, x_{n+1}\}$ are not probed), the location of the robber cannot be identified.
- If the robber currently occupies a vertex in $\{x_1, \dots, x_{n+1}\}$ and the Cop-player is about to probe k vertices in $V(G)$, then the robber stays idle.
- Finally, consider the case when the robber occupies a vertex in $\{x_1, \dots, x_{n+1}\}$ and the Cop-player will probe $t \leq k - 1$ vertices in $V(G)$ (and $k - t$ vertices in $\{x_1, \dots, x_{n+1}\}$). Let $Y \subseteq V(G)$ be the set of vertices of $V(G) \setminus \{x_1, \dots, x_{n+1}\}$ that will be probed.

Note that because the graph G' has diameter 2, for any probed vertex v , the distance between v and the location r of the robber only gives the information of whether $r = v$ or $r \in N(v)$ or $r \notin N[v]$ (similar information as given by a locating set).

Since Y is not a locating set (because $|Y| < k$), at least two vertices u and v cannot be distinguished by Y in G . Then, the robber goes to one of these vertices (note that the probed vertices in $\{x_1, \dots, x_{n+1}\}$ bring no more information allowing to distinguish u and v).

□

6. GEOMETRIC LOCALIZATION GAME

Consider an infinite graph G_1 whose vertices are all points of the plane with edges between points at Euclidean distance at most one. In other words, G_1 is the intersection graph of all unit disks in the plane. Notice that the graph distance between two vertices in G_1 is the least integer not smaller than the Euclidean distance between the corresponding points. In the first result we show that a countable number of cops is not sufficient to localize the robber exactly on G_1 . Recall that \aleph_0 denotes the cardinality of the natural numbers.

Proposition 13. $\zeta(G_1) > \aleph_0$.

Proof. We will show that after each round there are uncountably many possible locations for the Robber-player. Let C be the set of probed points. For any $c \in C$ consider a set of all circles with center c and integer radius. Such circles divide the plane into regions according to their distance from c . Let us denote the set of possible positions of the Robber-player by R . Assume that after the previous rounds of the game there are uncountably many points in R (which is true at the beginning of the game). Consider the partition of R created by all such circles around all points from C . Since there are countably many circles, at least one region of the partition must contain uncountably many points. Hence if Robber chooses to stay in that region he will not be localized. □

In view of the above result we consider a relaxed version of the game in which Cop measures the actual Euclidean distance to robber's location. We will call it the *geometric localization game* on the plane.

Theorem 14. *The following statements hold for the geometric localization game on the plane:*

- (1) *Three cops can win in one round.*

- (2) *Two cops can win in two rounds.*
 (3) *One cop cannot win in any number of rounds.*

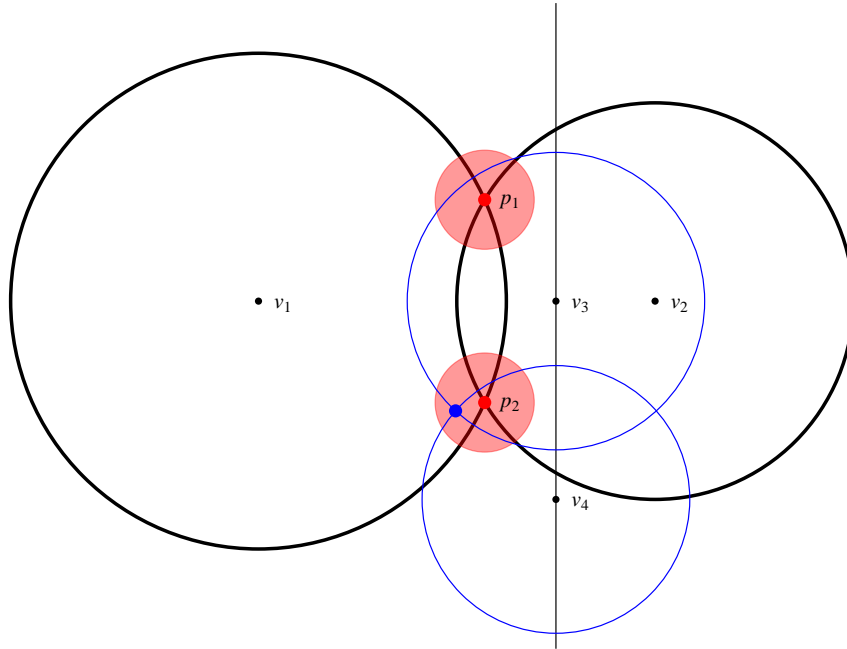


FIGURE 2. The winning strategy in two moves for the Cop

Proof. For the first statement, the winning strategy for the Cop-player is to choose three noncolinear points. Then for every possible location of the robber, the sequence of distances is unique, so he is immediately localized.

For the second statement, the winning strategy (presented in Figure 2) for the Cop-player is the following:

- In the first round, the Cop-player checks any two points v_1 and v_2 . If the robber is not on one of these points (which would end the game), then each of v_1 and v_2 gives a circle on which the robber is located. If these circles intersect in only one point, this is the location of the robber and the Cop-player wins. Otherwise, the circles intersect in two points: p_1 and p_2 , and the Cop-player needs the second round to win.
- In second round, the Cop-player already knows that the robber was in one of the two possible locations p_1, p_2 , and he moved by at most one, hence he is in one of the two unit disks with centers in p_1 and p_2 (the disks may have nonempty intersection). Now, the Cop-player can draw a line such that both disks lie entirely on the same side of the line. Hence the robber is on that side of the line. Then, the Cop-player chooses any two points on the line v_3 and v_4 and asks for their distances to the robber. Again she gets two circles on which the robber is located, which intersect in at most two points. But now only one of those points is on the same side of the line as the disks, and that point is the location of the robber.

To prove the third assertion of the theorem we will show that the robber has a winning strategy even if, at the beginning of each round, he tells the Cop-player his previous location

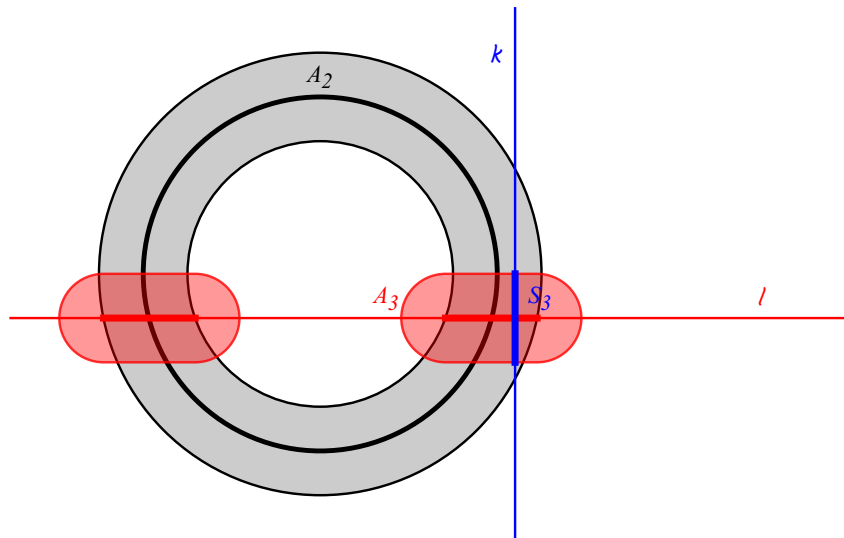


FIGURE 3. Locating the robber on an arc close to a short segment.

p . That implies that, at the beginning of each round, the Cop-player knows that the current location of the robber is in a unit disk D centered in p . Then, the Cop-player chooses a vertex c to check and the robber makes his move. Note that, as long as the robber avoids point c , the distance d between c and the robber is greater than zero. This gives a circular arc (intersection of a circle with D) with center in c and radius d , where the robber must be located. If the robber stays in the interior of D , then the arc will consist of more than one point. Hence the robber will not be located. \square

From the point of view of practical applications it is also natural to consider approximate version of the geometric localization game, where the Cop-player is satisfied with determining the robber's position up to some small error.

Theorem 15. *For any $\varepsilon > 0$, one cop can locate the robber with error of at most $1 + \varepsilon$. In other words one cop can determine a disk of radius $1 + \varepsilon$ in which the robber is contained.*

Proof. Let $\varepsilon > 0$ and δ such that $0 < \sqrt{(1 + \delta)^2 + \delta^2} \leq 1 + \varepsilon$. We will show that, in three rounds, the Cop-player will know that the robber is on a single arc which is arbitrarily close to a segment of length at most $2 + 2\delta$ (see Figure 3). Note that, in the end of the i th round, the Cop-player knows that the robber is in the intersection of a circle (with center in the checked vertex c_i and radius equal to its distance from the robber) and an area A_i , which she predicted to contain the robber (with prediction being based on previous rounds). Hence, the robber is in the set S_i which is a collection of circular arcs. It is easy to see that

$$A_{i+1} = \{z \in \mathbb{R}^2 : \text{dist}(z, s) \leq 1 \text{ for some } s \in S_i\}.$$

The strategy for the Cop-player is to draw a line through two points of A_i which are at the largest possible distance from each other. Then in the next round to choose a vertex c_i from the line arbitrarily far from A_i .

After first round, the Cop-player knows that the robber is on a circle and predicts that in the next round he must be in an annulus A_2 . In the second round, she probes a vertex c_2 in the unbounded face of $\mathbb{R}^2 \setminus A_2$. The intersection S_2 of received circle and A_2 will consist

of either one or two arcs. Notice that the further the chosen vertex c_2 is from A_2 , the closer the arcs from S_2 are to be segments. In other words, we can find a line l such that for every point $x \in S_2$ there exists $y \in l$ with $\text{dis}(x, y) < \delta$. Hence every point from

$$A_3 = \{z \in \mathbb{R}^2 : \text{dist}(z, s) \leq 1 \text{ with } s \in S_2\}$$

is at distance at most $1 + \delta$ from l (by the triangle inequality).

Then in the third round, the Cop-player chooses a vertex c_3 to be 'far' from A_3 and on the line l . The intersection S_3 of A_3 and the resulting circle is one arc. Again, if c_3 is far enough from A_3 , then we can find a line k such that for every point $x \in S_3$ there exists $y \in k$ with $\text{dis}(x, y) < \delta$. Moreover we can choose k to be perpendicular to the line l . Let p be the point of the intersection of k and l . Let k' be the intersection of k and A_3 . Then the distance between p and any point of k' is at most $1 + \delta$. Hence the distance from p to any point of S_3 (which contains the robber's current location) is at most $\sqrt{(1 + \delta)^2 + \delta^2} \leq 1 + \varepsilon$. So, localizing the robber in p is correct up to an error of at most $1 + \varepsilon$. \square

7. FURTHER WORK

In this paper, we have introduced the localization game (also introduced independently in [12]). Our study focused on upper bounds of ζ in planar graphs and computational complexity of this parameter in general graphs. Many questions remain open such that determining close formulas or bounds on ζ in other graph classes (e.g., outer-planar graphs, hypercube, partial cubes, chordal graphs, etc.). The question of the computational complexity of ζ in various graph classes such as bipartite graphs, split graphs (where computing the metric dimension is known to be NP-complete), bounded treewidth graphs, etc. is also of interest. Finally, most of the interesting turn-by-turn two-player games are known to be PSPACE-hard or even EXPTIME-complete. The exact status of the complexity of the localization game is still open.

It is also interesting to compare parameter $\zeta(G)$ to other graph invariants. For instance, it was proved in [13] that every graph with $\zeta(G) = 1$ is four colorable. This leads to the following conjecture.

Conjecture 16. *There is a function f such that every graph with $\zeta(G) \leq k$ satisfies $\chi(G) \leq f(k)$.*

Another problem for future studies with more geometric flavor concerns unit disks graphs.

Conjecture 17. *There is a function f such that every unit disk graph satisfies $\zeta(G) \leq f(\omega(G))$.*

REFERENCES

- [1] M. Aigner and M. Fromme, A game of cops and robbers, *Discrete Appl. Math.* 8, pp. 1–12 (1984).
- [2] P. Bahl, V.N. Padmanabhan, "RADAR: an in-building RF-based user location and tracking system," *INFOCOM 2000, Nineteenth Annual Joint Conference of the IEEE Computer and Communications Societies Proceedings, IEEE 2*, pp. 775–784 (2000).
- [3] D. Bienstock, Graph searching, path-width, tree-width and related problems (a survey). *DIMACS Ser. Discret. Math. Theor. Comput. Sci.* 5, pp. 3349 (1991)
- [4] A. Bonato and R.J. Nowakowski, *The game of cops and robbers on graphs*, Student Mathematical Library, vol. 61, American Mathematical Society (2011).
- [5] A. Brandt, J. Diemunsch, C. Erbes, J. LeGrand and C. Moffatt, *Locating a robber on a tree*, manuscript (2015).

- [6] J. Carraher, I. Choi, M. Delcourt, L. H. Erickson, D. B. West, Locating a robber on a graph via distance queries, *Theoretical Computer Science* 463, pp. 54–61 (2012).
- [7] I. Charon, O. Hudry and A. Lobstein, Minimizing the Size of an Identifying or Locating-Dominating Code in a Graph is NP-Hard. *Theoretical Computer Science*, Vol. 290/3, pp. 2109-2120 (2003)
- [8] G. Cohen, I. Honkala, A. Lobstein and G. Zémor, On Identifying Codes. *Proceedings of DIMACS Workshop on Codes and Association Schemes '99*, Vol. 56, pp. 97-109 (2001)
- [9] F. V. Fomin and D. M. Thilikos, An annotated bibliography on guaranteed graph searching, *Theor. Computer Science* 399, pp. 236–245 (2008).
- [10] Y. Gu, A. Lo, I. Niemegeers, A Survey of Indoor Positioning Systems for Wireless Personal Networks, *IEEE Communications Surveys & Tutorials*, No. 1, pp. 13–32 (2009).
- [11] F. Harary, R. A. Melter, On the metric dimension of a graph, *Ars Combin.* 2, pp. 191–195 (1976).
- [12] J. Haslegrave, R.A.B. Johnson and S. Koch, Locating a robber with multiple probes: arXiv:1703.06482 (2017).
- [13] R.A.B. Johnson and S. Koch, Subgraphs and Colourability of Locatable Graphs: arXiv:1402.2969.
- [14] R. J. Nowakowski, P. Winkler, Vertex-to-vertex pursuit in a graph, *Discrete Mathematics* 43, pp. 235–239 (1983).
- [15] R. Olsen, J. Figueiras, J. Rasmussen, H. Schwefel, How precise should localization be? A quantitative analysis of the impact of the delay and mobility on reliability of location information. In: *Proceedings of IEEE GLOBECOM*, pp. 1–6 (2010).
- [16] A. Quillot. Jeux et pointes sur les graphes. Thèse de 3^{ème} cycle, Université de Paris VI, pp. 131–145 (1978).
- [17] S. Seager, Locating a robber on a graph, *Discrete Math.* 312, pp. 3265–3269 (2012).
- [18] S. Seager, Locating a backtracking robber on a tree, *Theor. Computer Science* 539, pp. 28–37 (2014).
- [19] P. D. Seymour, R. Thomas, Graph searching and a min–max theorem for tree-width, *J. Combin. Theory Ser. B* 58, pp. 22–33 (1993).
- [20] P. J. Slater, Leaves of trees, in *Proc. Sixth Southeastern Conf. Combin., Graph Theory, Computing, Congressus Numer.* 14, pp. 549–559 (1975).

THEORETICAL COMPUTER SCIENCE DEPARTMENT, FACULTY OF MATHEMATICS AND COMPUTER SCIENCE, JAGIELLONIAN UNIVERSITY, 30-348 KRAKÓW, POLAND
E-mail address: bosek@tcs.uj.edu.pl

INSTITUTE OF MATHEMATICS, LODZ UNIVERSITY OF TECHNOLOGY, ŁÓDŹ, POLAND
E-mail address: pgordin@p.lodz.pl

FACULTY OF MATHEMATICS AND INFORMATION SCIENCE, WARSAW UNIVERSITY OF TECHNOLOGY, 00-662 WARSAW, POLAND
E-mail address: j.grytczuk@mini.pw.edu.pl

UNIVERSITÉ CÔTE D'AZUR, INRIA, CNRS, I3S, FRANCE
E-mail address: nicolas.nisse@inria.fr

FACULTY OF MATHEMATICS AND INFORMATION SCIENCE, WARSAW UNIVERSITY OF TECHNOLOGY, 00-662 WARSAW, POLAND
E-mail address: j.sokol@mini.pw.edu.pl

FACULTY OF MATHEMATICS AND INFORMATION SCIENCE, WARSAW UNIVERSITY OF TECHNOLOGY, 00-662 WARSAW, POLAND
E-mail address: m.sleszynska@mini.pw.edu.pl