



Tawari, B; Ali, IK; Scott, C; Quail, MA; Berriman, M; Hall, N; Clark, CG (2008) Patterns of Evolution in the Unique tRNA Gene Arrays of the Genus *Entamoeba*. *Molecular biology and evolution*, 25 (1). pp. 187-198. ISSN 0737-4038 DOI: <https://doi.org/10.1093/molbev/msm238>

Downloaded from: <http://researchonline.lshtm.ac.uk/8658/>

DOI: [10.1093/molbev/msm238](https://doi.org/10.1093/molbev/msm238)

Usage Guidelines

Please refer to usage guidelines at <http://researchonline.lshtm.ac.uk/policies.html> or alternatively contact researchonline@lshtm.ac.uk.

Available under license: <http://creativecommons.org/licenses/by-nc-nd/2.5/>

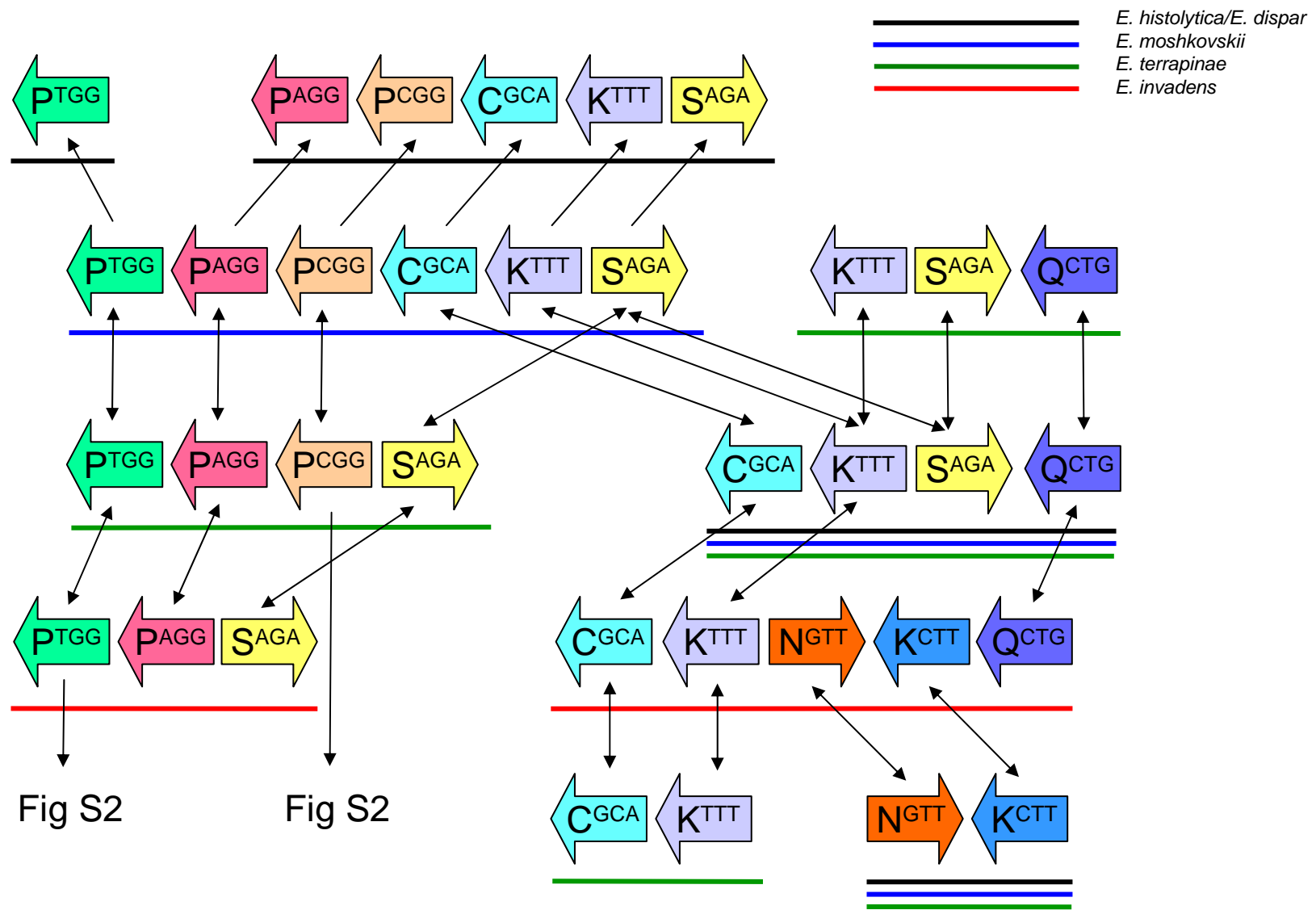


Figure S1

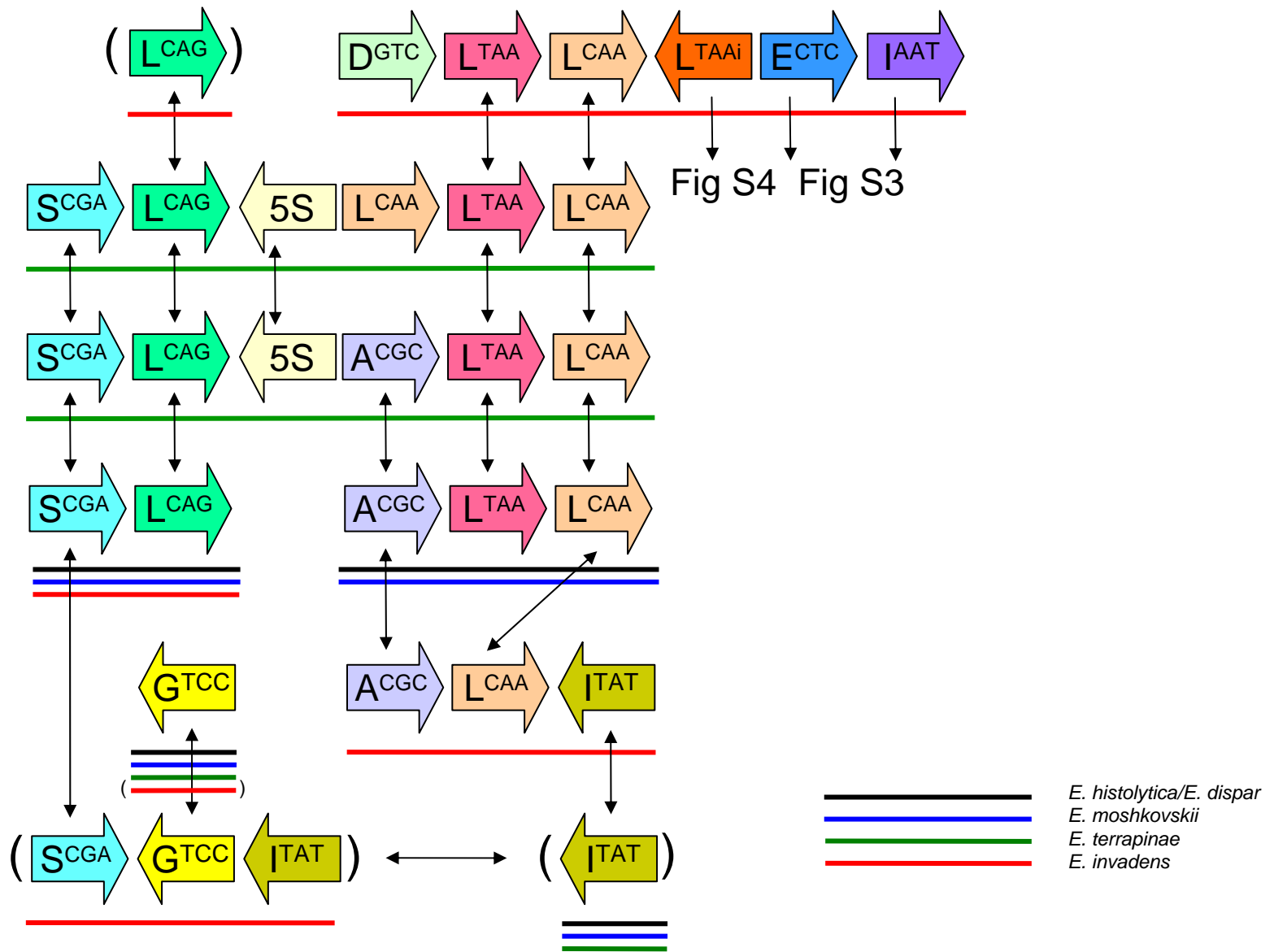


Figure S2

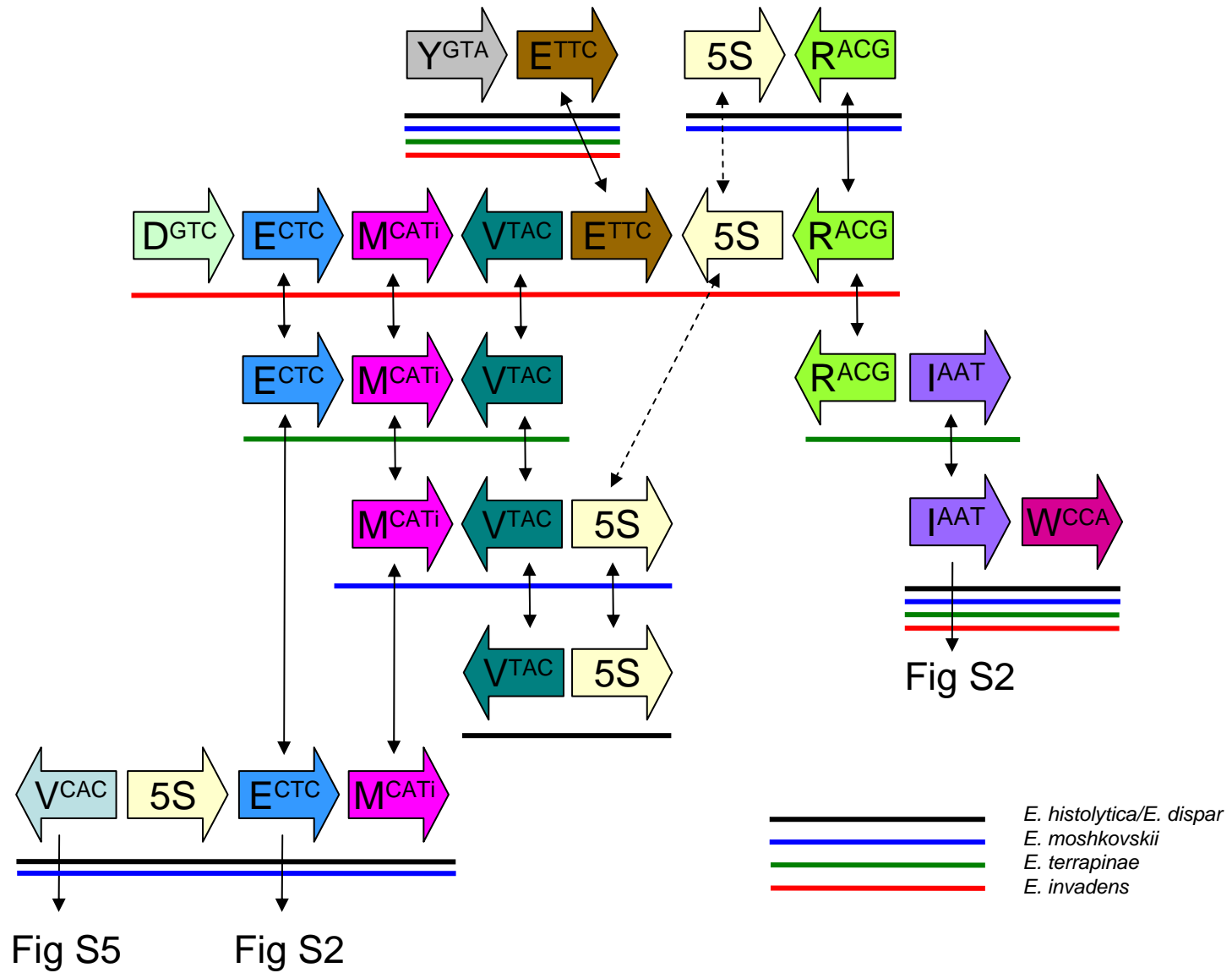


Figure S3

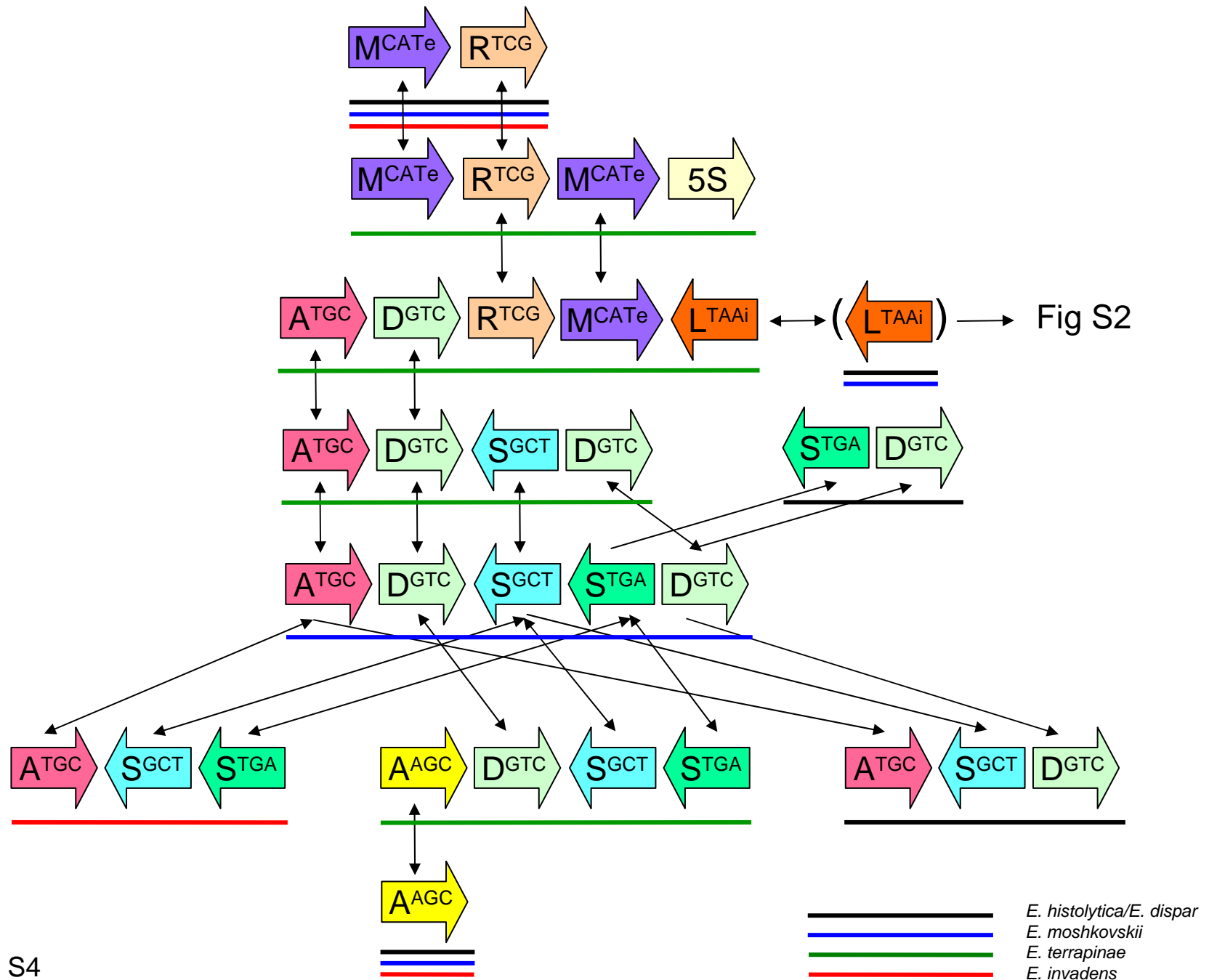


Figure S4

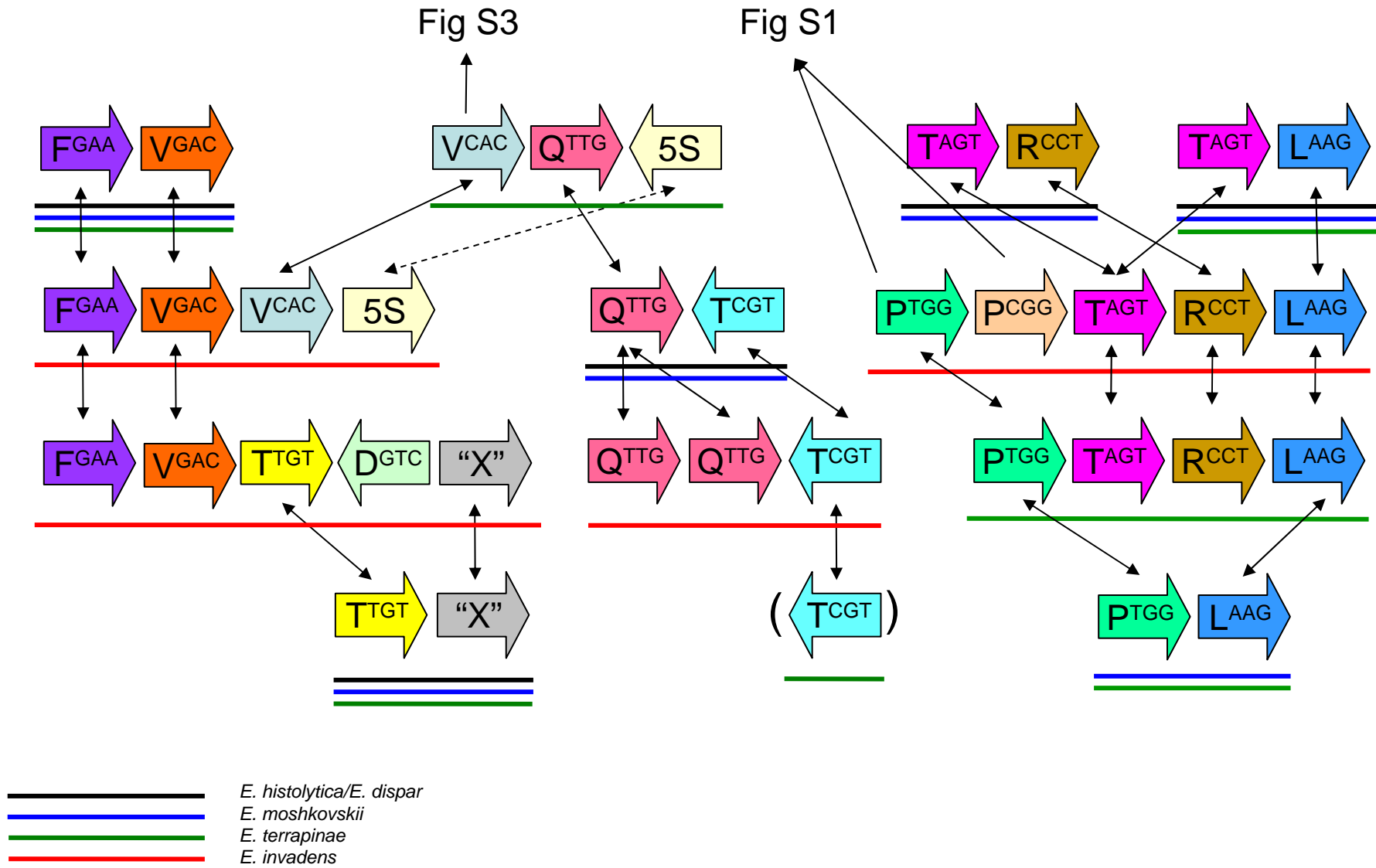


Figure S5