

2017

Overused and Neglected: Conceptual Designs for Spaces on Campus

Cayla A. Riehl

University of Rhode Island, cayla_riehl@my.uri.edu

Creative Commons License



This work is licensed under a [Creative Commons Attribution-No Derivative Works 4.0 License](https://creativecommons.org/licenses/by-nc/4.0/).

Follow this and additional works at: <http://digitalcommons.uri.edu/srhonorsprog>

 Part of the [Interior Architecture Commons](#)

Recommended Citation

Riehl, Cayla A., "Overused and Neglected: Conceptual Designs for Spaces on Campus" (2017). *Senior Honors Projects*. Paper 532.
<http://digitalcommons.uri.edu/srhonorsprog/532><http://digitalcommons.uri.edu/srhonorsprog/532>

This Article is brought to you for free and open access by the Honors Program at the University of Rhode Island at DigitalCommons@URI. It has been accepted for inclusion in Senior Honors Projects by an authorized administrator of DigitalCommons@URI. For more information, please contact digitalcommons@etal.uri.edu.

OVERUSED AND NEGLECTED

Conceptual Designs for Spaces on Campus

CAYLA RIEHL

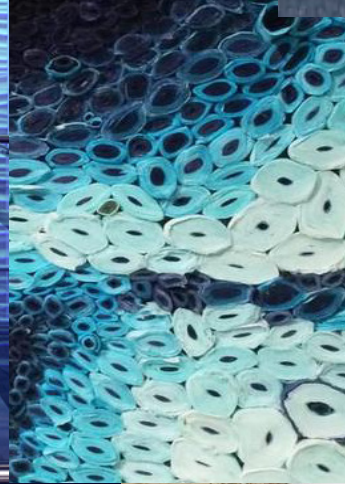
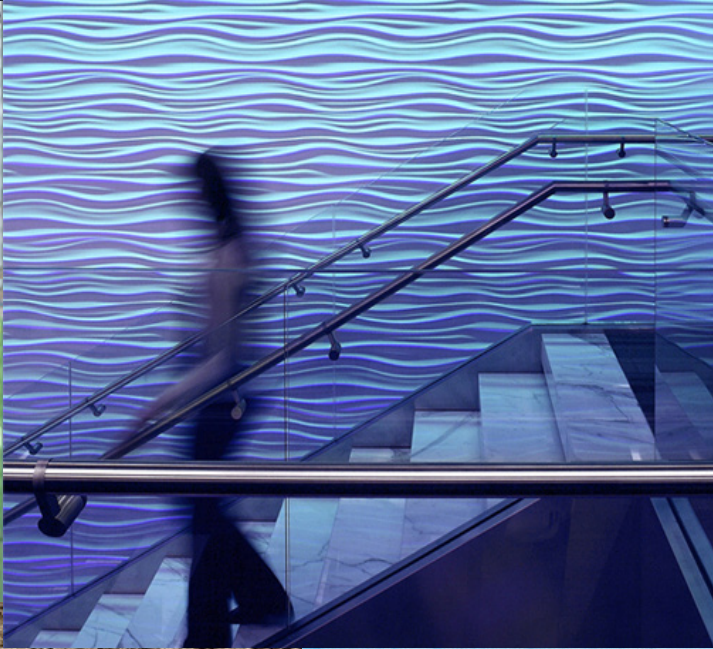
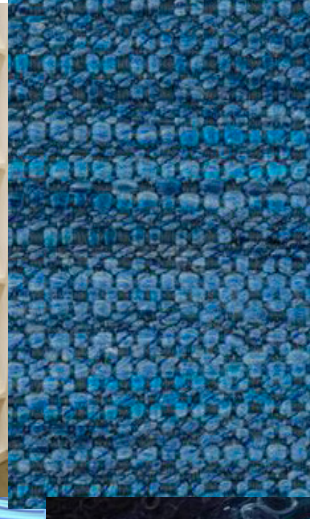
PROJECT STATEMENT

Create conceptual designs for existing student spaces on campus that allows for optimal functionality and aesthetic appeal using computer aided design software.

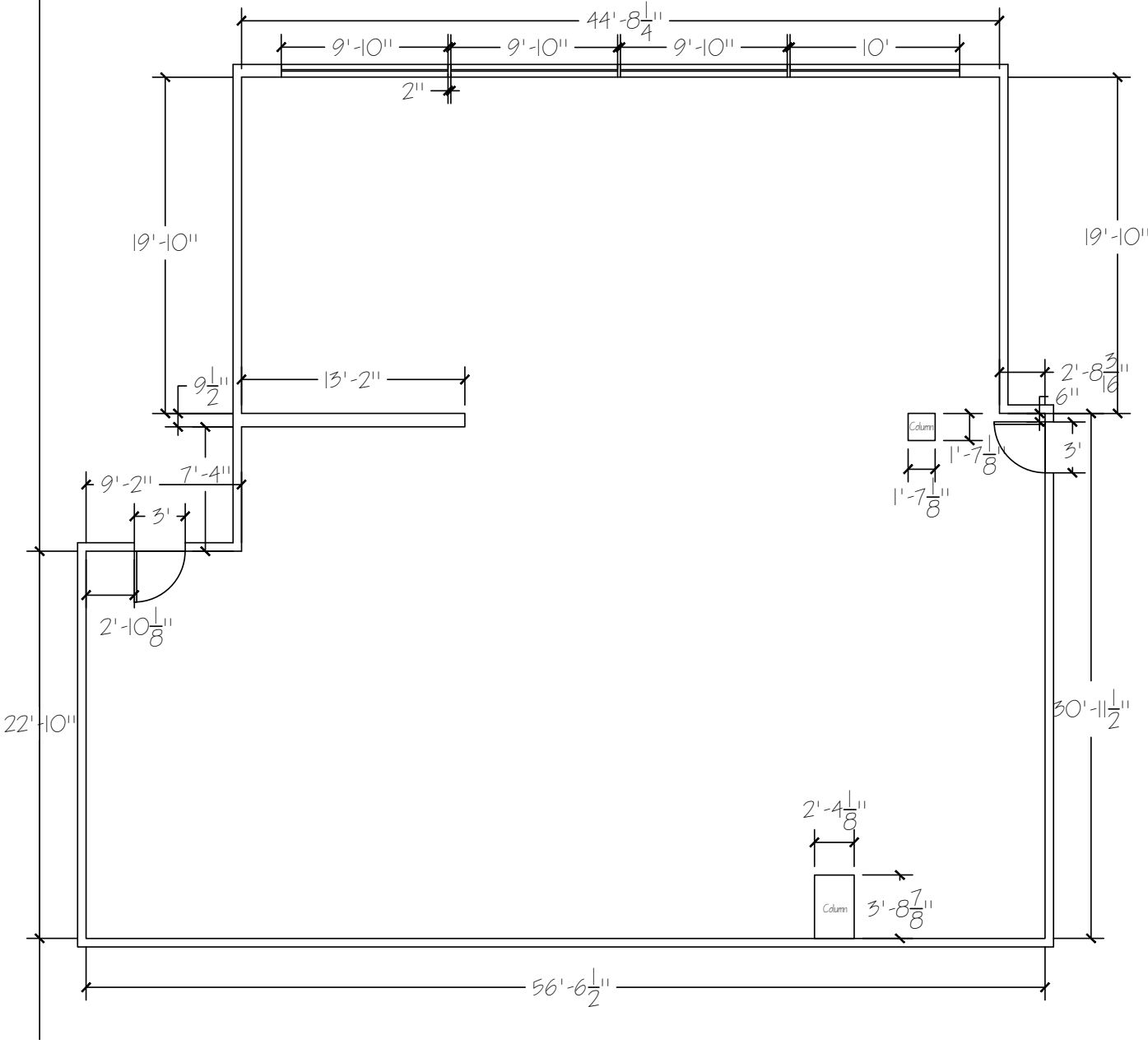
THEAIRPORTLOUNGE

in the Memorial Union

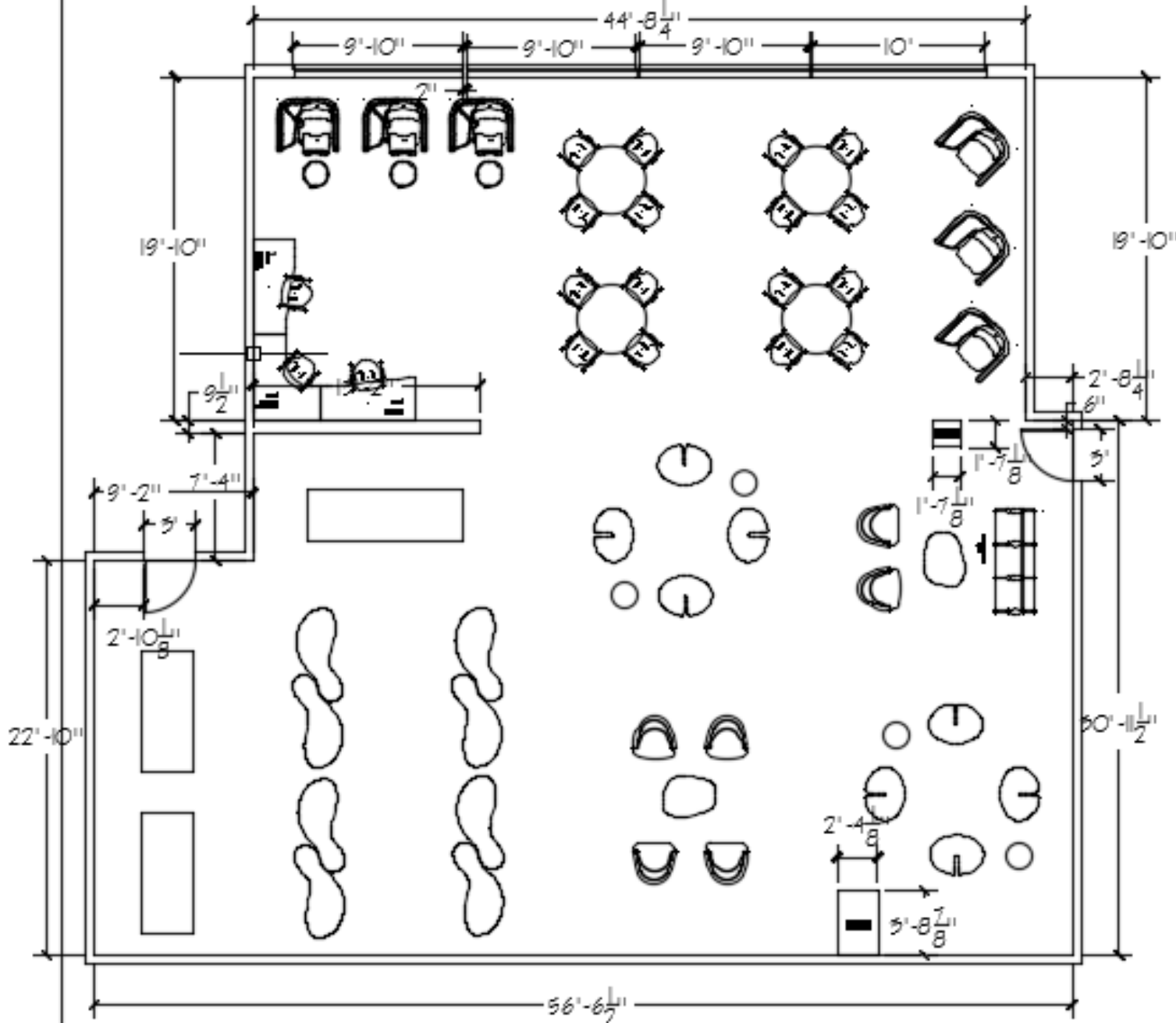




AUTOCAD DRAFTING: AIRPORT LOUNGE



AUTOCAD DRAFTING: AIRPORT LOUNGE



REVIT RENDERINGS: AIRPORT LOUNGE



REVIT RENDERINGS: AIRPORT LOUNGE



REVIT RENDERINGS: AIRPORT LOUNGE



REVIT RENDERINGS: AIRPORT LOUNGE



REVIT RENDERINGS: AIRPORT LOUNGE



FINEARTSLOUNGE

in the Fine Arts Building

CAFÉ ART STUDY AREA

For use by Art & Art History Students
Furnished by the Department of Art & Art History

- Please do not remove furniture from area
- Please do not mark or damage furniture
- Please keep area clean

*DO NOT TOUCH
ANY Artwork
that isn't your own.*

ATTENTION !!!
All Students and Visitors

We continue to have several disturbing incidents of student work and other material being removed from display walls or FAC studios causing problems with grades and personal loss.

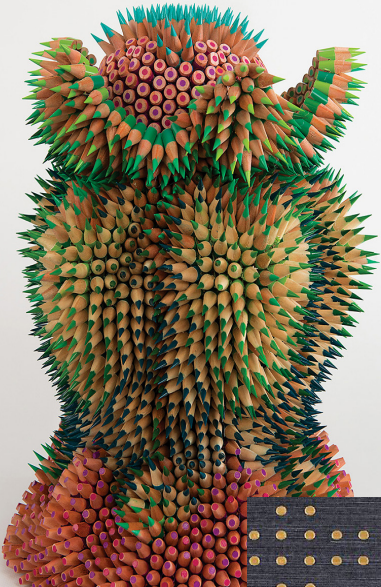
**DO NOT REMOVE or disturb ANY
ART WORKS or other materials at
any time THAT DO NOT BELONG TO
YOU**

*•If you do so, you may
be subject to fines, arrest
or other penalties•*

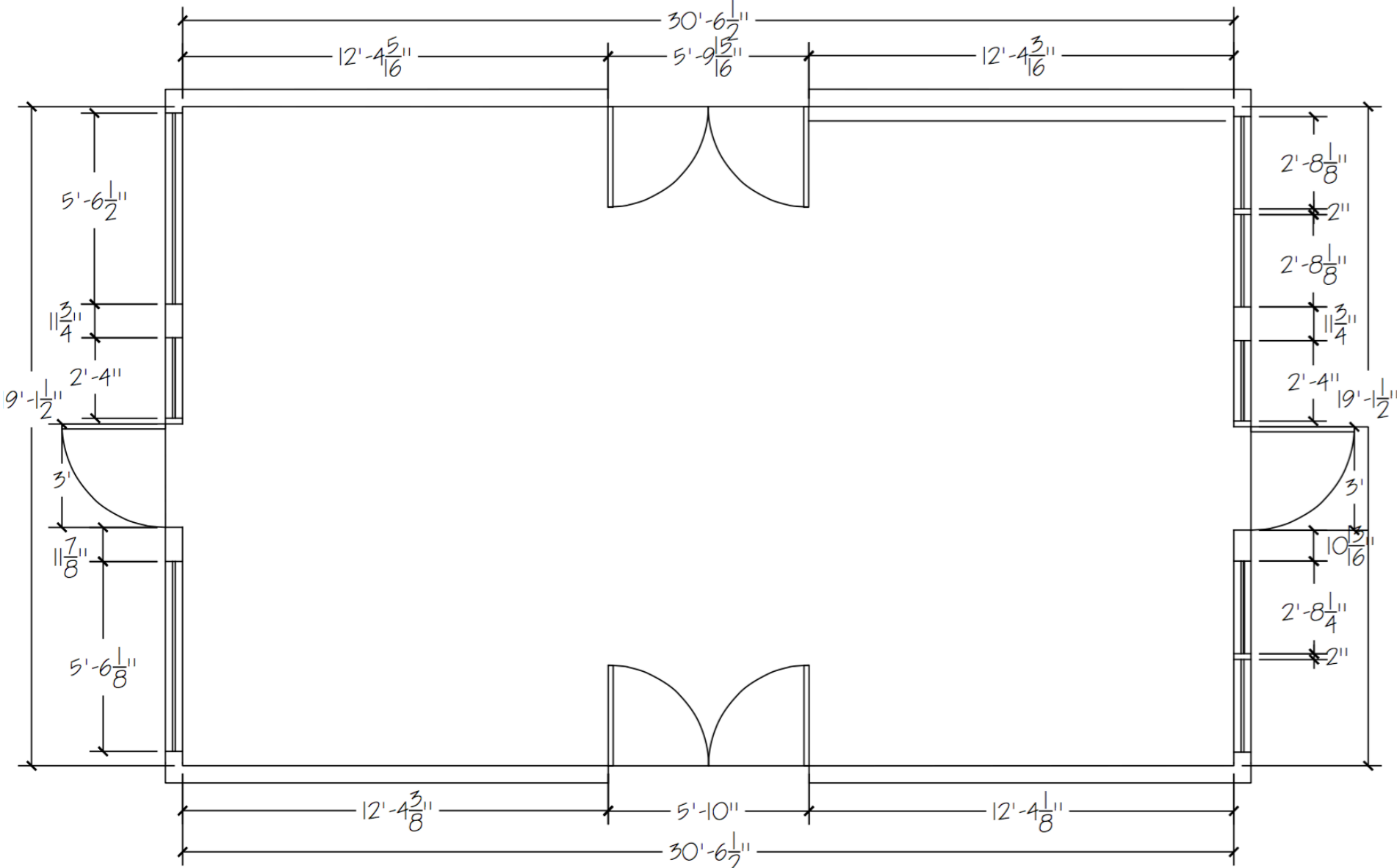
The Faculty, Department of Art & Art History



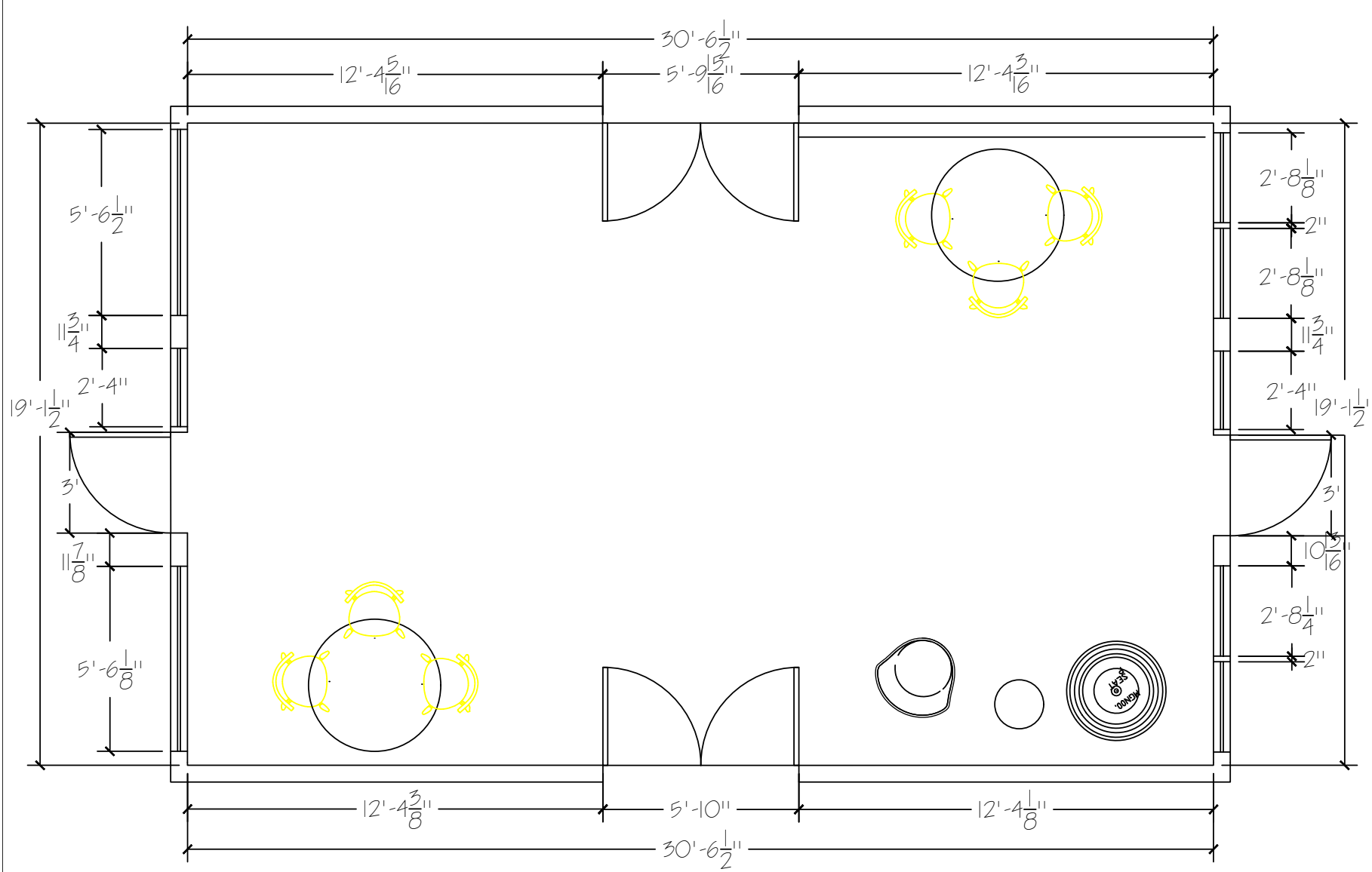
AN  OPENER



AUTOCAD DRAFTING: FINE ARTS LOUNGE



AUTOCAD DRAFTING: FINE ARTS LOUNGE



REVIT RENDERINGS: FINE ARTS LOUNGE



REVIT RENDERINGS: FINE ARTS LOUNGE



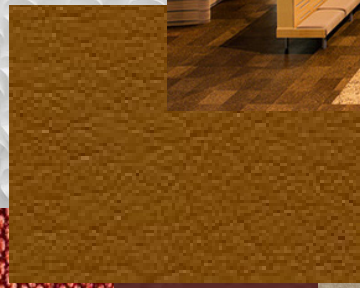
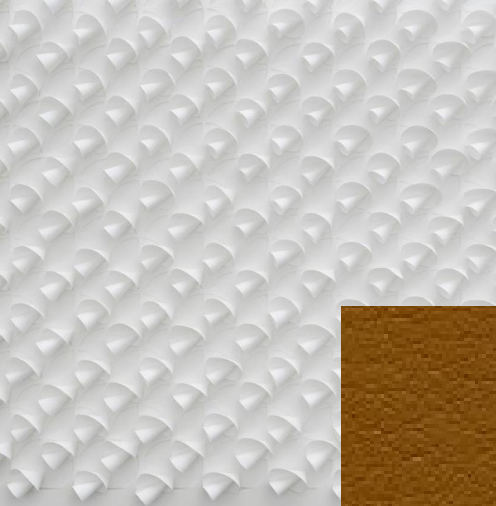
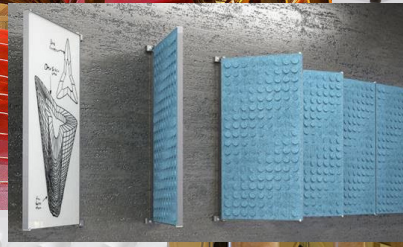
REVIT RENDERINGS: FINE ARTS LOUNGE



HONORSPROGRAMLOUNGE

in Lippitt Hall

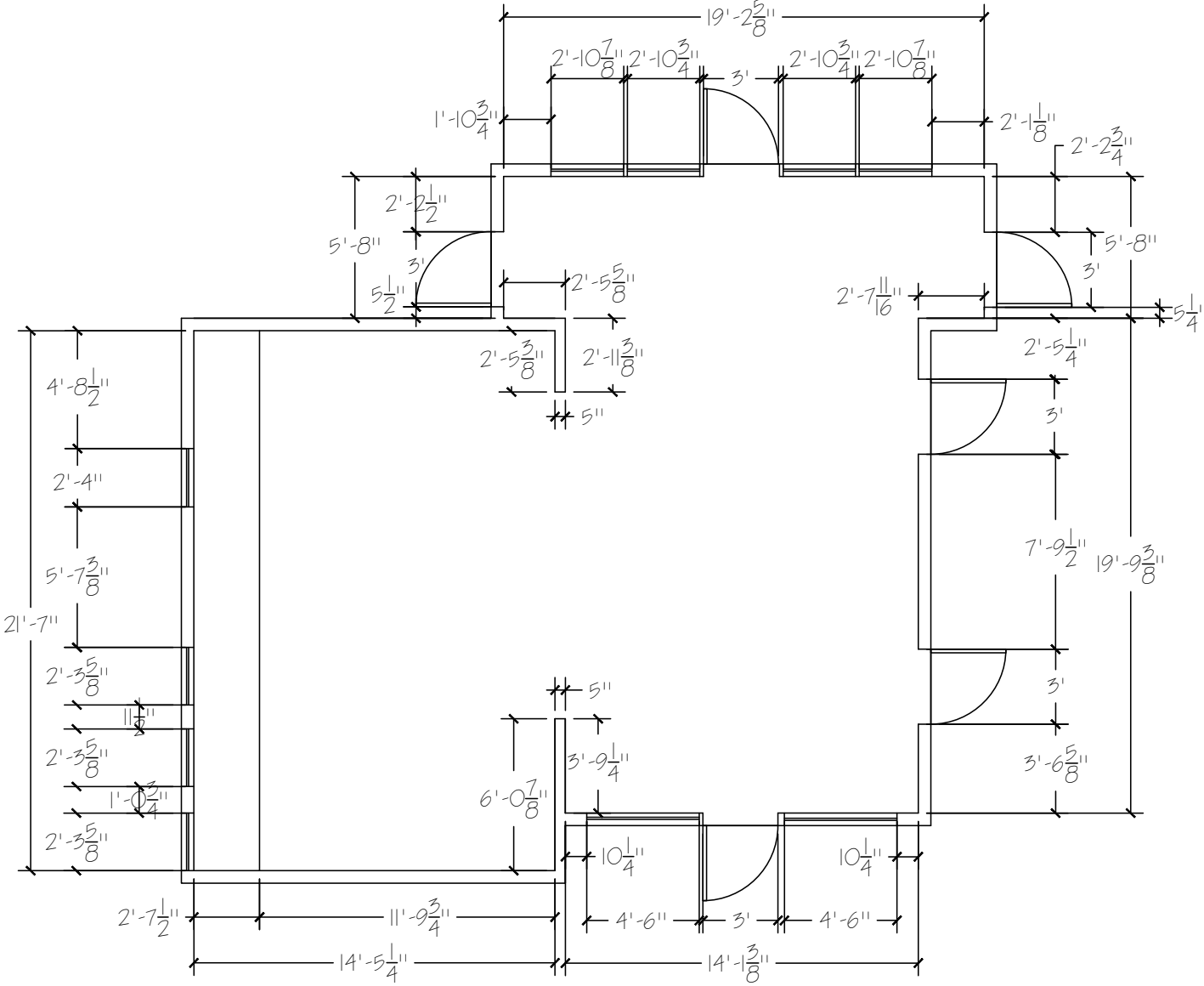




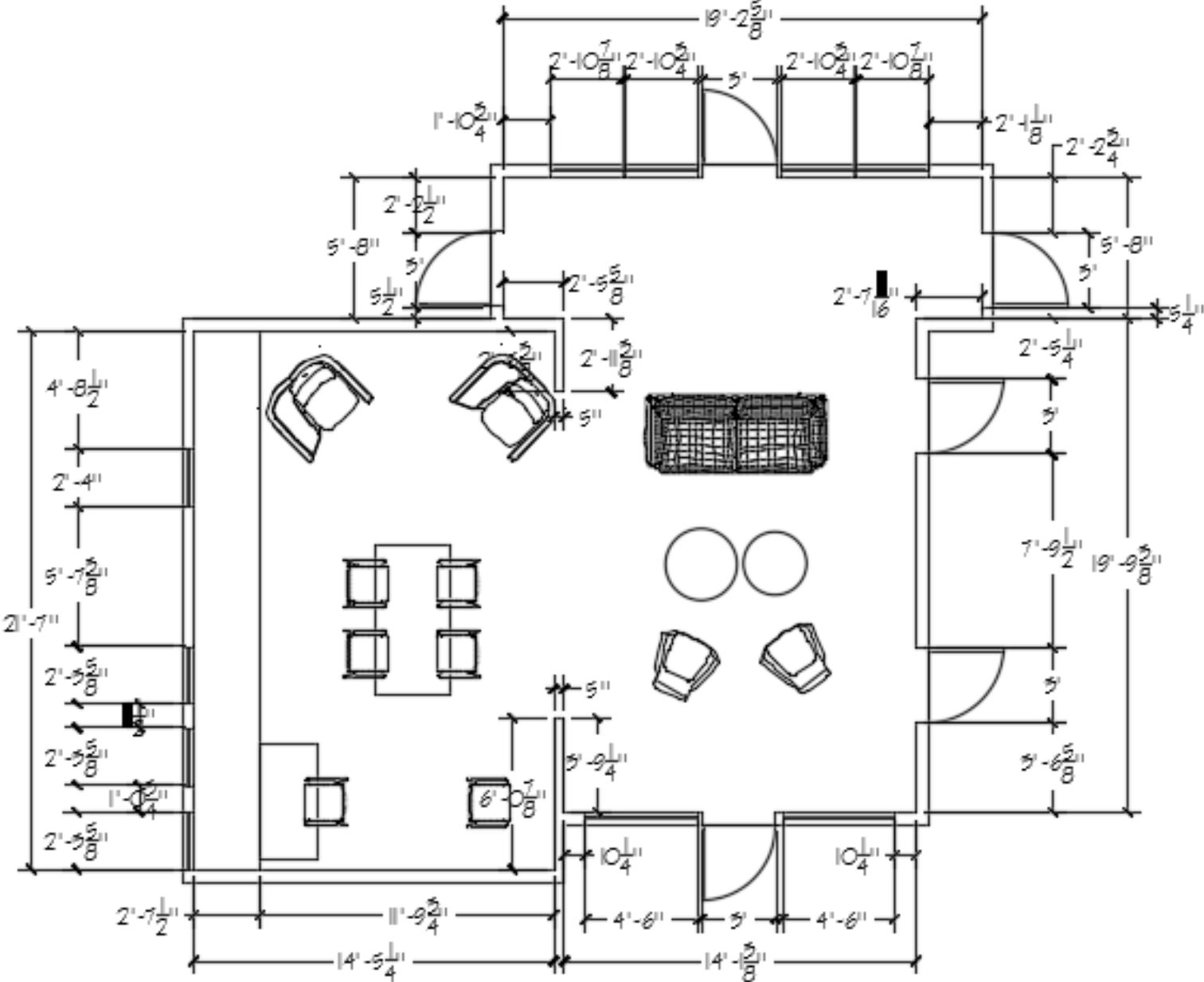
OLD VS. NEW



AUTOCAD DRAFTING: HONORS LOUNGE



AUTOCAD DRAFTING: HONORS LOUNGE



REVIT RENDERINGS: HONORS LOUNGE



REVIT RENDERINGS: HONORS LOUNGE



REVIT RENDERINGS: HONORS LOUNGE



REVIT RENDERINGS: HONORS LOUNGE

