

A Study Dust Abatement by Combustion

Kōji HIROSE* and Tadao FUJIWARA*

Synopsis

This paper deals with the abatement of the dust, which is produced from combustion of wood which is used in the process in the manufacture of "Bizen Yaki", by means of combustion.

The experimental furnace disposal for after combustion, is added to "Nobori Gama". The measurements are done at both states without and with the furnace disposal.

The results of the experiments show that process exhaust gases containing combustible dust can be destroyed effectively by the furnace disposal and the obtained dust abatement efficiency is about 80%.

1. Introduction

It is considered that imperfect combustion in fuel-fired furnaces produce the emission of combustible contaminants, and the best way to prevent it, is to carry out perfect combustion. But a some of the metal heating furnaces, incinerators and ceramic practice where wood is used as fuel, emit combustible contaminants inevitably. Nuisance abatement by combustion is described and reported in many references. [1,2] But, fixed tables of autogenous ignition temperature or time, for the design of furnace system, do not exist.

* Department of Mechanical Engineering

In this paper, by means of combustion the abatement of the dust which is produced from the process in the manufacture of "Bizen Yaki" is studied experimentally.

2. Process in the manufacture of "Bizen Yaki" and Emitted Particles

The furnace "Nobori Gama" for the manufacture of "Bizen Yaki" is shown in Fig. 1. It consists of four manufacturing chambers, those are "Udo", "Ichiban", "Niban" and "Kedo", "Kemuriasobi", which is effective to make the furnace pressure uniform and goods are not manufactured in it, flue and stack. The total volume of four manufacturing chambers is about 14 m³. The manufactured goods are made by sintering at about 1,200 °C in every chamber. Time of one operating process is about 160 hours. Firstly for 40 hours, L. P. G. is fired mainly, and then only wood is fired. The fuel wood is pine deal. One block of it is about 700 g weight, 60 cm length, and property is shown in Table 1. Fuel wood is thrown into "Udo" from front door about every ten minutes, and amount of it is about 11 - 13 Kg a once. The property of emitted particles is shown in Table 2. Size range in Table 2 is adopted from

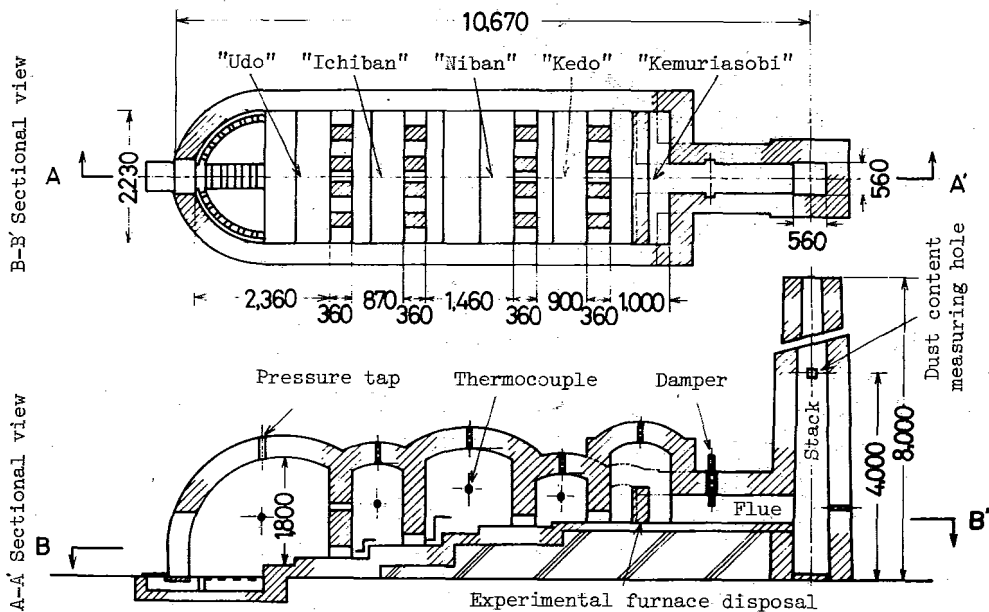


Fig. 1 "Nobori Gama" for "Bizen Yaki", with the furnace disposal, two-dotted chain line shows original form.

Table 1 Property of fuel wood

Lower heating value [Kcal/Kg]	Combustible content [%]	Ash [%]	Moisture content [%]
4,330	90.59	0.62	8.79

Table 2 Property of particles

Lower heating value [Kcal/Kg]	Combustible content [%]	Ash [%]	Ignition temperature [°C]	Particles size [μ]
6,710	97.23	2.77	420	0.02 - 300

reference [3], because some of them join together and so mass-median diameter of a particle is not able to be measured accurately.

3. Experimental Apparatus and Procedure

A schematic diagram of the experimental apparatus is shown in Figs. 2 and 3. The material for furnace construction is refractories of SK-32. In the center of the furnace, to avoid short path from "Kedo" to flue, bridge wall is built, and is used for regenerator. The thirdly air is induced to flow into the combustion chamber at atmospheric pressure by action of the draft provided by the combustion system itself.

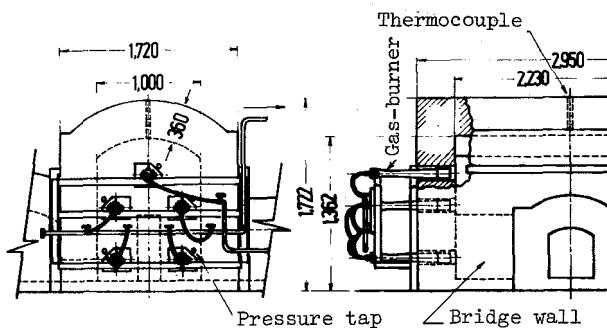


Fig. 2 Experimental furnace disposal.

Gas fired equipment generally is found to produce a minimum of air pollution, and so the gas-burner is adopted to combustion the dust. The fuel used on the experiment is L. P. G. (Butane 70%, Propane 30%, Heating value 12,000 Kcal/Kg). Schematic diagram of fuel pipeline of

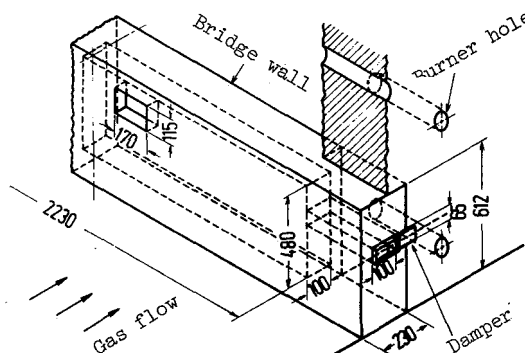


Fig. 3 Bridge wall.

L. P. G. is shown in Fig. 4. To obtain uniformity of the furnace temperature, the gas-burners are installed both side of the furnace walls, and fuel consumption is controlled by one flow control valve only.

Dust content is measured according to J. I. S. Z-8808 "Method of Measuring Dust Content in Stack Gas".

The used filter paper is made of quartz fiber and is

cylindrical. To avoid the effect of loss in weight at high temperature, it is used after heating for 3 hours at 800 °C. As gas flow in stack is turbulent and particles size is very small, dust content is measured at the center of the cross section of the stack, as shown in Fig. 1.

When dust emission from the stack become visible, the experimental furnace is operated and the temperature is raised until it become invisible. According the raise of operating temperature of "Udo", the temperature of the experimental furnace raise, but consumption rate of L. P. G. is not changed. Again dust emission become visible, then the temperature of the experimental furnace is raised by addition of L. P. G. consumption. To retain the state that dust emission from the stack is invisible, observing by a video camera, L. P. G. consumption and firstly, secondary and thirdly air are controlled.

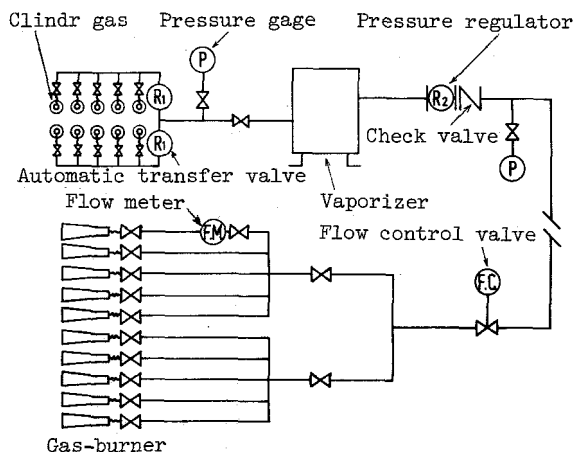


Fig. 4 L. P. G. pipeline.

4. Experimental Results and Discussion

4.1 Dust Emission

The rate of dust emission versus the elapsed time of the operating of the manufacturing furnace is shown in Fig. 5. Before the experimental apparatus is installed, the maximum rate of the dust emission is 2.4 g/Nm³, after installing, when it is operated normally, it is 0.3 g/Nm³. The efficiency of the experimental apparatus is unable to obtain accurately, because it is difficult to measure dust content in gases before and behind the passage of the experimental furnace. But

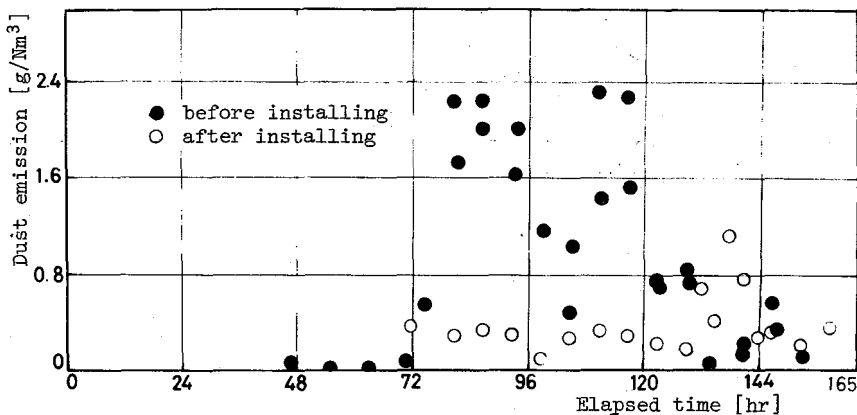


Fig. 5 The rate of dust emission versus the elapsed time.

according to the following relations, adopting the mean value of all measured values of the dust emission, the obtained dust abatement efficiency is about 80% and efficiency of combustion is about 82%.

dust abatement efficiency [%]

$$= \frac{\text{the mean value of the dust emission after installing}}{\text{the mean value of the dust emission before installing}} \times 100$$

and

efficiency of combustion [%]

$$= \frac{\text{the emission of combustible matter contained in the dust after installing}}{\text{the emission of combustible matter contained in the dust before installing}} \times 100$$

4.2 The Dust Combustion

The relation between the dust emission, the residence temperature and the holding time at the experimental apparatus is shown in Fig. 6. Comparing the dust emission each other at two conditions, one is the low residence temperature and the long holding time, and other is the high residence temperature and the short holding time for waste gases at the experimental apparatus, the difference is not obvious.

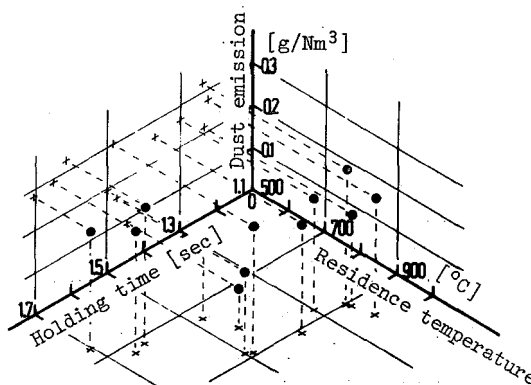


Fig. 6 The relation between the dust emission, the residence temperature and the holding time.

4.3 Effect of Experimental Apparatus on Manufacturing Chamber

The furnace pressure and temperature before and after the apparatus is installed on every measuring position are shown in Fig. 7. Between "Udo" and "Kedo", the furnace pressure and temperature is approximately equal before and after the installing.

Fig. 7 The furnace pressure and temperature before and after installing.

- ① "Udo" ② "Ichiban"
 ③ "Niban" ④ "Kedo"
 ⑤ "Kemuriasobi" &
 installed furnace
 ⑥ Flue ⑦ Stack

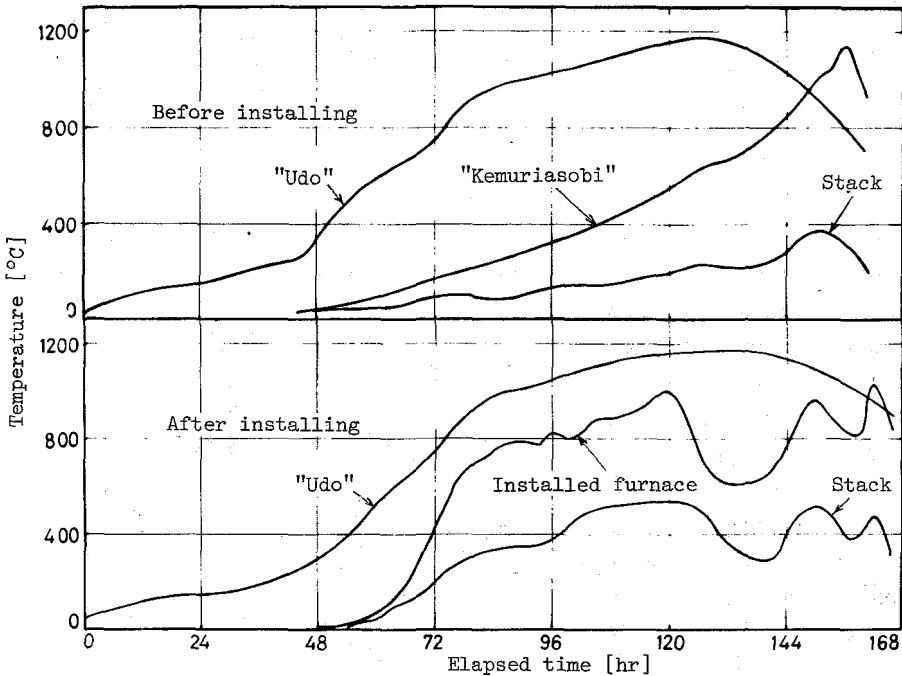
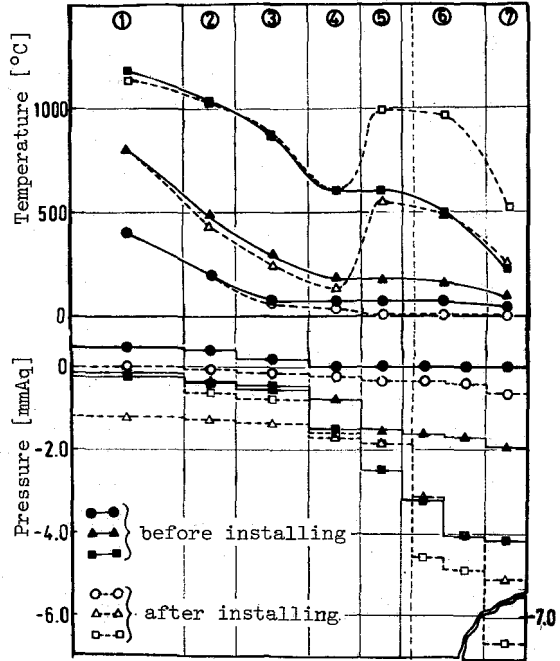


Fig. 8 The temperature of "Udo", "Kemuriasobi" and stack versus the elapsed time.

The temperature of "Udo", "Kemuriasobi" and stack versus the elapsed time is shown in Fig. 8. The maximum temperature of waste gases is about 400 °C at "Kemuriasobi" and 550 °C in stack before the apparatus is installed.

The pressure of "Udo", "Kedo" and stack versus the elapsed time is shown in Fig. 9.

Exhaust gas flow rate, excess air ratio to wood, gas flow rate of stoichiometric combustion from Rosin formula and fuel consumption before and after installing are shown in Figs. 10 and 11 respectively, versus the elapsed time. Before the furnace is installed, the exhaust gas flow rate increase with temperature and pressure of stack. After the furnace is installed with the burner operating, the exhaust gas flow rate increase rapidly and excess air ratio to wood for Rosin formula increase too. The manufacturing furnace is affected considerably with it and this is uneconomical in fuel consumption. For the state that the dust emission is unvisible, when thirdly air is introduced, after several minutes it become visible. This is considered that cooling surface of heat transfer increase and cooling air is induced to the flow of the chamber.

5. Conclusion

Using the process in the manufacture of "Bizen Yaki", combustible contaminants abatement by furnace disposal for after combustion is examined and

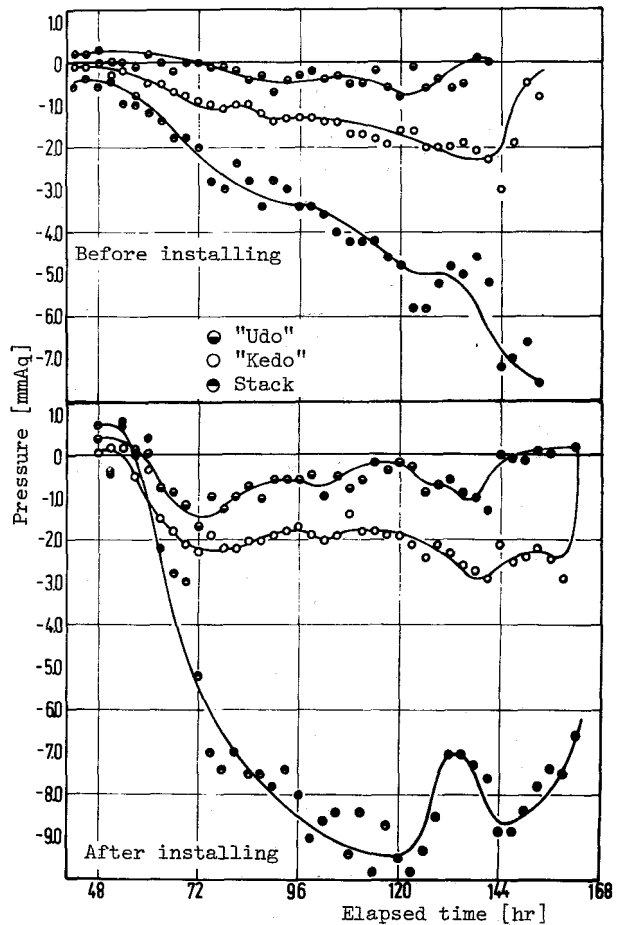


Fig. 9 The pressure of "Udo", "Kedo" and stack versus the elapsed time.

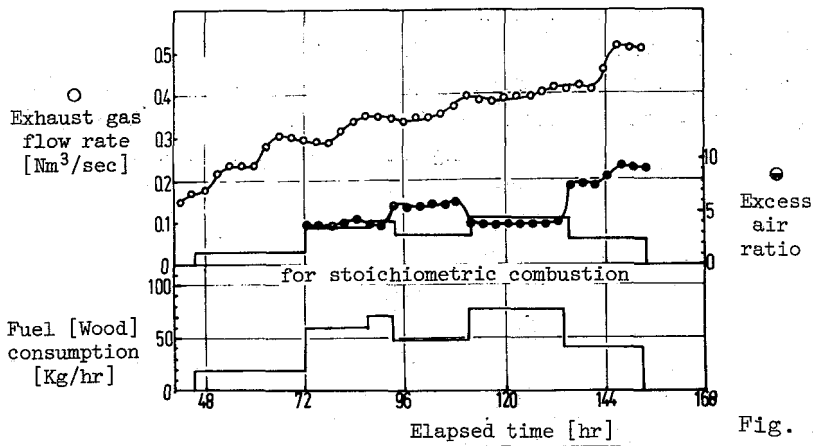


Fig. 10 Before installing

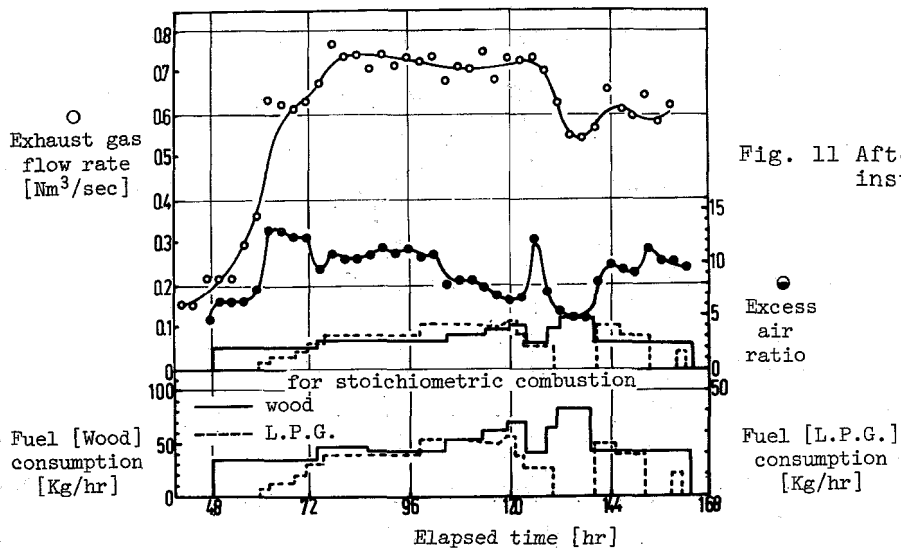


Fig. 11 After installing

Figs. 10 and 11 Exhaust gas flow rate, excess air ratio to wood, gas flow rate of stoichiometric combustion and fuel consumption before and after versus the elapsed time.

following results are obtained.

1. For the most part, combustible contaminants can be destroyed effectively by furnace disposal.
2. It is considered that the furnace disposal which is designed in low residence temperature and long holding time to care of heat transfer and ignition temperature of dust, is economical in fuel consumption.
3. On the point of view of fuel consumption and operating of manufacturing furnace, air rate introduced from burner attending hole is to be controlled carefully enough.

Acknowledgment

This study is supported partly by The Research Subsidy of Sanyō Broadcasting Science & Culture Foundation.

The authors wish to thank Mr. Kōichi AKIYAMA, Engineer of OKAYAMA Industrial Research Institute, for his valuable help in all aspects, and to thank many personnels of OKAYAMA Industrial Research Institute for their assistances in this experiment.

Reference

- (1) Arthur, C. Stern: "Air Pollution (III)", Accademic Press (1968),
521
- (2) S. Yagi and T. Kunii: "Kōgyō Yōro", Kyoritsu Shuppan (1962),
264
- (3) S. Tsuzi: "Nenshō Kiki Kōgaku", Nikkan Kōgyō Shinbunsha (1971),
99