

Rates and efficiencies of reactions of ruminal biohydrogenation of linoleic acid according to pH and polyunsaturated fatty acids concentrations

Annabelle TROEGELER-MEYNADIER, Lydie BRET-BENNIS, F. ENJALBERT

Reprod. Nutr. Dev. 46 (2006) 713–724

There is a mistake in the legend of Figure 2. The corrected legend is as follows.

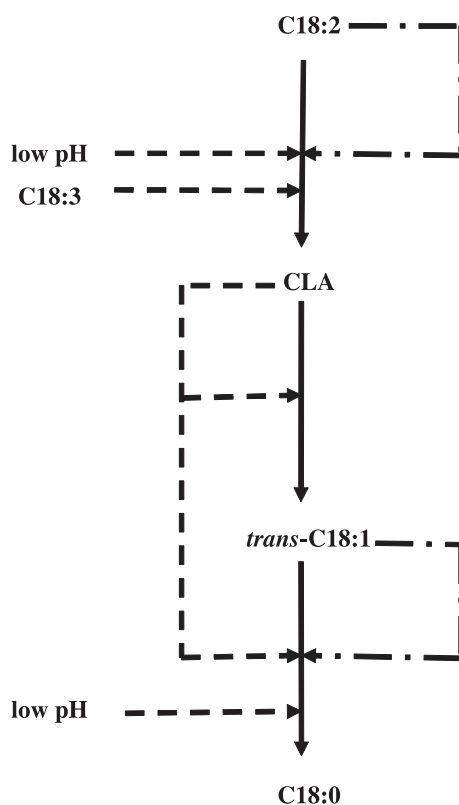


Figure 1. Proposed ways of inhibition (----->) and saturation (.....>) effects of low pH, C18:2n-6, C18:3n-3 and their biohydrogenation intermediates on C18:2n-6 biohydrogenation.