

Access to E-resources at TISS: a case study

Mallikarjun Angadi
And
Muttayya Koganuramath

Sir Dorabji Tata Memorial Library
Tata Institute of Social Sciences, P.B. no. 8313,
Sion-Trombay Road, Deonar, Mumbai 400 088, India
e-mail: angdi@rediffmail.com
muttayya@bom3.vsnl.net.in

Abstract

UGC is modernizing the University Campuses with State-of-the-art campus wide networks and setting up its own nationwide communication network named UGC-Infonet. This paper discusses the facilities made available in TISS under the UGC-Infonet programme. Also, in-house databases developed using Winisis software has been explained. Phase-wise implementation of TISS Digital Library, its present status and application have been elaborated.

Keywords

UGC; UGC-Infonet; Digital Library; E-Resources; TISS.

Introduction

Changes in the publishing industry have a direct impact on the information systems and services. This information technology has altered the mode of publication in such a way that though the traditional sources of information continued to be flooded with the attractive electronic form of publications. In the changing scenerio, libraries and libraraians will have to play a crucial role in handling conventional and electronic resources. Thus the era of electronic publishing has begun affecting producers, distributors, library and Information centres and user community.

The ultimate goal of electronic publishuing is to provide fast & easy access to the information contained in the objective publications with simple, powerful search and retrieval capabilities. Thus, electronic resources can be used effectively in the context of Dr. S.R. Ranganathan's fouth law 'Save the time of user' for many purposes.

Development of a Digital Library at the Sir Dorabji Tata Memorial Library is supposed to be the finest of digital resources on Social Sciences in the country as well as the South-Asian region. The establishment of this Digital Repository will also keep the library on par with major social science libraries in the world.

A detailed project proposal had been submitted to Tata Education Trust, Mumbai for the financial assistance in the month of February, 2003. The Project has been accepted positively and a grant of Rs. 1 crore has been sanctioned and it is to be utilized in a phased manner between 2002-2005.

Phase-I Implementation (2002 – 2003)

As in any Digital Library project it is essential to strengthen the infrastructure first. The same has been followed here in the first phase of TISS Digital Library project. The Library has procured the following softwares and hardware equipment's in the first phase Grant under the Digital Library Programme of Tata Education Trust.

- 1 Subscription to **Proquest Social Sciences Plus Text Database**
- 2 Upgradation of Library Software **SLIM++ (Linux Version) , Central Library**
Additional copy of **SLIM++ (Linux Version), Rural Campus Library, Tulajapur**
- 3 **Cyberoam Internet Management Software**
- 4 **National Sample Survey Database**

A) Hardware:

1. Lanbit image CD-Server

Tulsient CDH
80 GB X 2 with One CD-ROM
Total 250 CD copy
(to access Offline CD-ROM databases)

2. Web Server

IBM X225 Dual Xeon DP 2.4 GHZ
1 GB DDR ECC RAM
73 Gb X 2 SCSI
52 X CD-Rom, 17" Color Monitor
HP 12/24 GB DAT Drive
(3 years warranty)

3. Intelligent Nodes

- | | |
|-------------------------------------------------------|----------|
| 1. Pentium IV (Library network and Internet browsing) | 20 units |
| 2. Multimedia Unit | 15 units |
| 4. APC UPS (3kv 3 Hrs back up time) | |

B. Networking Accessories

- 24 port 100 mbps switch

- 8 Port 100 mbps switch

C. Furnitures:

1. Computer Tables	42 units
2. Computer Chairs	50 units
3. Conference Table	1 unit
4. Computer Table for Digitization	1 unit

UGC-Infonet in a Nutshell

University Grant Commission has launched an ambitious programme ‘UGC-Infonet’, to bring about a qualitative change in the academic infrastructure, especially for higher education. Under this programme UGC, in collaboration with INFLIBNET (IUC) and ERNET India, scientific society under the Ministry of Communications and Information Technology, is modernizing the University Campuses with High bandwidth Internet connectivity. It is proposed to use information and communication Technology (ICT) and Internet to transform learning environment from a mono-dimensional one to a multi-dimensional one.

UGC-Infonet is overlaid on ERNET Infrastructure including a nation wide terrestrial backbone and a complimentary satellite Wide Area Network (WAN). As such ERNET can provide a complete range of connectivity options to the universities depending upon their location and bandwidth requirements like Radio Link, Satellite based Wide Area Network, Leased Line etc.

INFLIBNET, Ahmedabad has taken the responsibility of smooth coordination between host university and UGC. It also engaged in giving training to the library professionals in handling the UGC-Infonet services effectively. UGC is also exploring the possibilities of alliances with publishers for adapting a consortia-based approach for e-subscription of journals. These journals will be available over UGC-Infonet to all the universities. Much of the new research publications are also available on the net as free ware, thereby, making quality information accessible to a wider academic scholar base spread across the country at an affordable price.

UGC-Infonet Infrastructures at TISS

TISS is one of the first institutions to get 2 Mbps leased line connectivity under the UGC-Infonet programme of UGC. The leased line has been commissioned already and access to e-resources has been made available for the users of the library.

- Fully furnished Air conditioned Internet Center, Mini-conference-cum-Audio Visual Centre, Dedicated Server room for UGC-Infonet programme
- Separate seamless Internet Access for Faculty and Research scholars and students.

- The **Internet Users Lab** under networked environment with 30 dedicated P IV computers using a high bandwidth leased line through ERNET under UGC-Infonet programme.
- Access to Full text online journals through subscription to **Proquest Social Sciences Plus Text Database from UMI, USA** (Current year + previous 3 years CD-ROM Backup),
- Access to Full Text Offline CD-ROM Database i.e **Proquest Social Sciences Plus Text, Seminar, Business India**
- Simultaneous access to bibliographic databases like **Wilson Social Science Abstract, POPLINE, Census Info India database.**
- **New Linux based Library Software SLIM++ has been installed in the library and Rural campus library at Tulajapur will also get the same very shortly.**
- **Now TISS will be having its own Webserver, unlike hiring, which has been configured and Domain Name has been already registered at ERNET, New Delhi. Website address of TISS is going to be;**

<http://www.tiss.ernet.in>

Access E-resources through UGC-Infonet

Thousands of thousands e-journals are going to be made available for seamless access via campus network very shortly under the UGC-Infonet programme. Following are some of the e-resources available on trial bases to access.

1. J-Gate Gateway Portal

J-Gate is a unique and the only portal from India covering journal literature in the subject areas of Science, Technology and Medicine. J-Gate is a bibliographic database of more than 10,000 journals from 3,000+ publishers and 12,00,000 articles being added every year. All the articles have full text links and author email addresses (wherever available). This is the only portal that has 600+ electronic only journals. The database is extensively indexed with 300 subject categories, key words, author names and journal titles. Weekly updated, J-Gate also provides access to more than 1,500 free journals on the web.

Website: www.j-gate.informindia.co.in

- | | |
|-----------------------------------------------|-------------------------------------------------------------------------------|
| 2. Access to IOP titles | [http://www.iop.org/EJ/] |
| 3. Access to American Chemical Society Titles | [http://pubs.acs.org] |
| 4. Project Muse titles | [http://muse.jhu.edu/demo/] |
| 5. Royal Society of Chemistry titles | [http://www.rsc.org] |
| 6. Cambridge University Press publications | [http://journals.cambridge.org] |

Separate appendix of free journals made available on Library Website and Databases available on the net will be created and thus, enabling the developing world to be on par with the developed world in terms of access to journals.

Entire LAN of the Library has been restructured and upgraded to 100 Mbps speed under the Digital Library project . Some 50 and odd P IV computers have been exclusively kept for the students to access seamless Internet and e-resources. Several in-house databases developed like ETDs. Fig.1 shows the LAN setup of the Library. Campus wide network of TISS is depicted in Fig.2

Fig.1 Leased line setup and E-resources at TISS Library

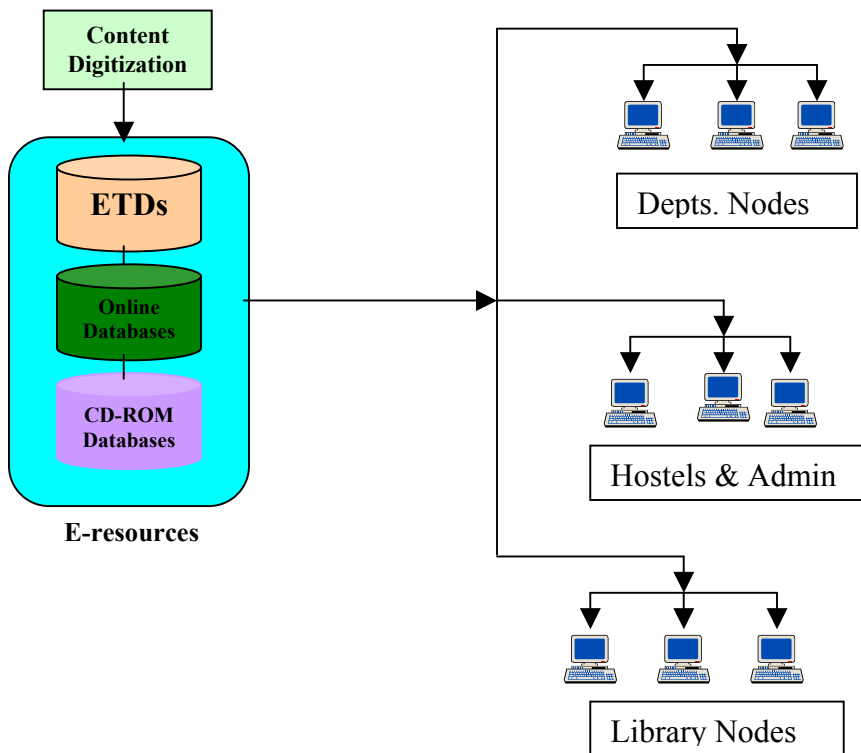
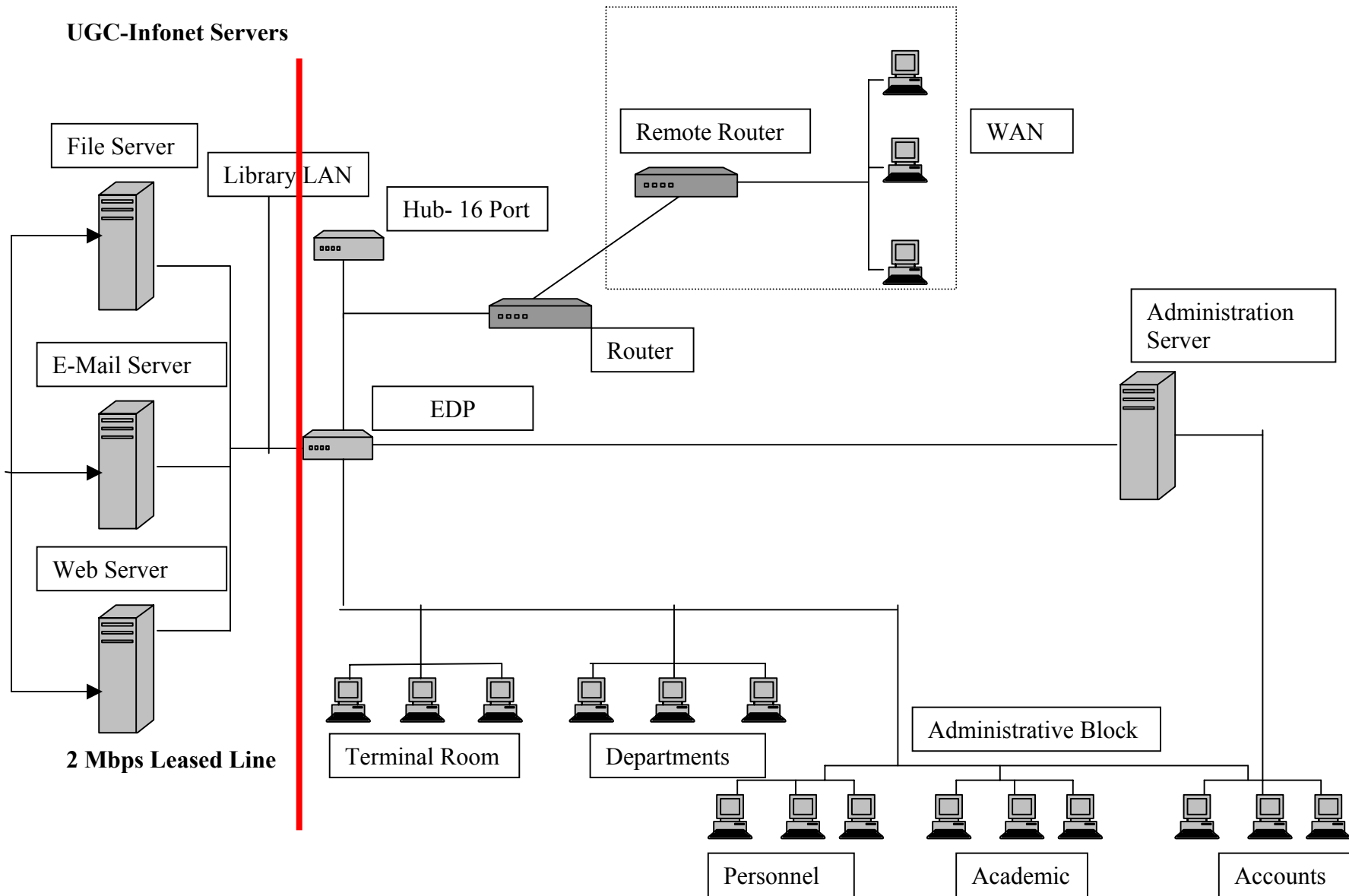
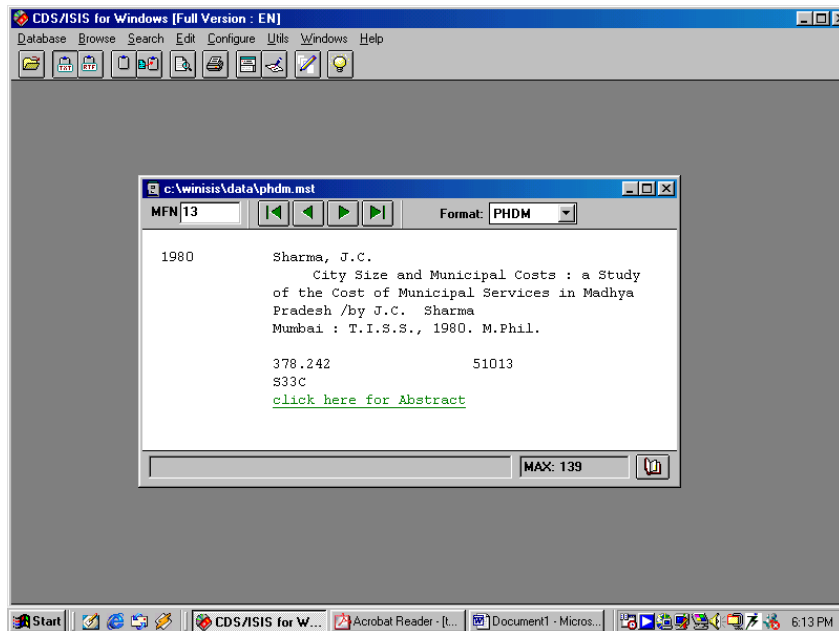


Fig.2 Network of UGC-Infonet at TISS

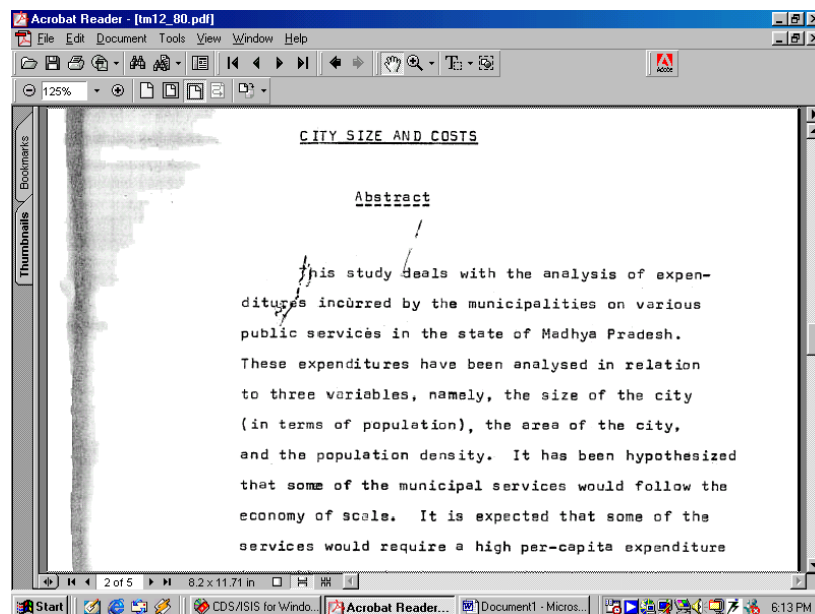


ETDs at TISS

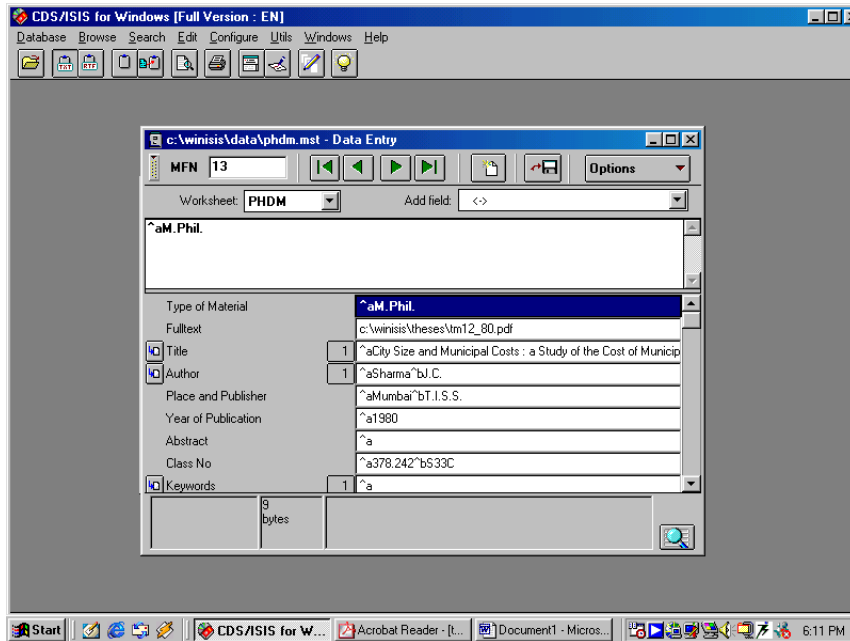
Apart from the general collections, the library also holds a good number of Dissertations and Theses submitted to TISS covering diverse subjects of social sciences. It is this rich valuable collection that's made the library unique in its own way. The main purpose of digitization here is to preserve, store and make available doctoral theses and dissertations. Some 200 theses have been digitized up to Abstract level and access has been facilitated using Winisis. Following is the pictorial representation of the database of ETD that has been created using Winisis. (CDS/ISIS for Windows).



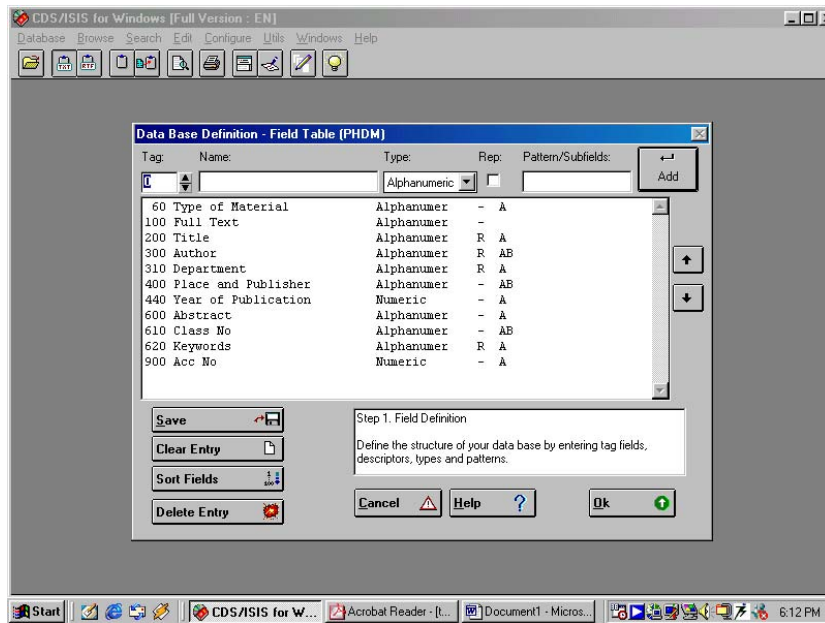
Display of records



Abstract of the document



Data Entry worksheet



FDT of the database

Conclusion

The role of library and its viability in the electronic publishing environment poses serious problems. There is no doubt that electronic resources are expanding rapidly. Research on the effects and implications of electronic publication has not been undertaken except in the area of academic electronic publishing. While electronic resource clearly allows for the rapid distribution of information at a reduced cost, its use is limited to certain economic sectors because many technical and legal problems must be resolved before its use becomes widespread. In areas where it is well established, it provides a unique communication medium that cannot be duplicated by the use of paper-based technology.

References

- [1] Brownrigg, E. B., & Lynch, C. "Electrons, Electronic Publishing, and Electronic Display". *Information Technology and Libraries*, 4(3), 1985, pp.201-207.
- [2] Franks, J. "What is an electronic journal ?" In Gopher:
<wiretap.spies.com/Library/Articles/Publishing>
- [3] Gutenberg, P. "The History and Philosophy of Project Gutenberg." In
<ftp: nrcnext.cso.uiuc.edu>
- [4] Hunter, K. "Issues and Experiments in Electronic Publishing and Dissemination." *Information Technology and Libraries*, 13(2), 1994, pp.127-132.
- [5] Internet Society Information Services. <<http://www.isoc.org/tp/isoc/>>
- [6] Kist, J. "Electronic Publishing". In M. Eraut (Ed.), *International Encyclopedia of Educational Technology* (pp. 600-608). New York: Pergamon, 1989.
- [7] Lancaster, F. W. "Libraries and Librarians in an Age of Electronics". Washington, D.C.: Information Resources Press, 1982.